

FE4P25-38GY (Basic Model)

FE4P25-38GY2 (Permanent Magnet Model)

Four wheel Electric Forklift

Lithium-ion Forklift

ADVANTAGES

The GY series permanent magnet lithium electric forklift, combining the advantages of lithium-ion and permanent magnet synchronous technology, is a newly developed series of products through independent research and development.

These products challenge conventional perceptions of electric forklifts, offering a higher power density with a dual permanent magnet synchronous motor system. By optimizing the matching of the gearbox, motor, and electronic control, energy consumption is reduced by 15-25% compared to AC motors.





■ **Tough Appearance**

Inheriting and breaking through the classic exterior design of Q series lithium forklifts, it has exquisite and compact structure, as well as stylish and tough appearance.

■ **Enhanced Performance**

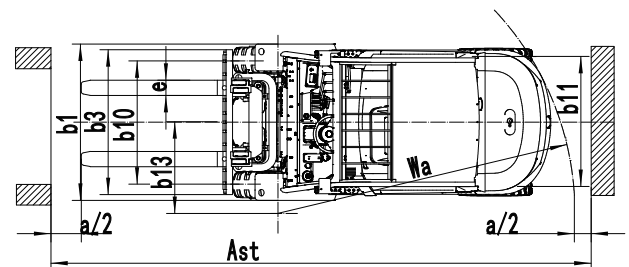
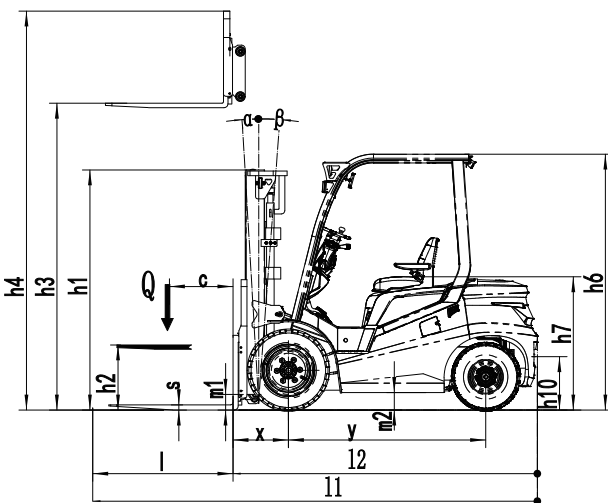
The high-efficiency, high-torque motor, combined with a large-speed ratio gearbox, offers comparable driving speed, lifting speed, and grade-ability rivaling to internal combustion forklifts.

■ **same working conditions as IC Forklifts**

The GY model range adopts automotive-grade permanent magnet synchronous system, and equipped with internal combustion forklift drive axles, steering axles, tires, and mast systems, meeting the operational requirements of internal combustion forklifts.

■ **Fast charging**

Standard Lithium-ion Fast Charging Technology Included, ready to use as you go. Standard batteries can be fully charged in just 2 hours.



Mast Table FE4P25GY/GY2 FE4P38GY/GY2

Designation	Lift height h3 (mm)		Free Lift h2 (mm)		Closed mast height h1 (mm)		Extended mast height h4 (mm)		Tilt forward / backward $\alpha / \beta(^{\circ})$		Capacity table(kg) C=500mm without sideshift single superelastic tyre	
	FE4P25GY/GY2	FE4P38GY/GY2	FE4P25GY/GY2	FE4P38GY/GY2	FE4P25GY/GY2	FE4P38GY/GY2	FE4P25GY/GY2	FE4P38GY/GY2	FE4P25GY/GY2	FE4P38GY/GY2	FE4P25GY/GY2	FE4P38GY/GY2
Two-stage ZT	2000	2000	130	145	1555	1685	2974	3079	6/10	6/10	2500	3800
	2500	2500	130	145	1865	1935	3474	3579	6/10	6/10	2500	3800
	3000	3000	130	145	2055	2185	3974	4079	6/10	6/10	2500	3800
	3300	3300	130	145	2205	2335	4274	4379	6/10	6/10	2500	3800
	3500	3500	130	145	2305	2435	4474	4579	6/10	6/10	2500	3800
	3600	3600	130	145	2355	2485	4574	4679	6/10	6/10	2500	3800
	3700	3700	130	145	2405	2535	4674	4779	6/10	6/10	2500	3800
	4000	4000	130	145	2605	2735	4974	5079	6/6	6/6	2450	3650
	4300	4300	130	145	2755	2885	5274	5379	6/6	6/6	2300	3500
	4500	4500	130	145	2855	2985	5474	5579	6/6	6/6	2100	3350
5000	5000	130	145	3105	3235	5974	6079	6/6	6/6	1850	3000	
Two-stage ZZ	2000	2000	631	496	1555	1575	2968	3079	6/10	6/10	2500	3800
	2500	2500	881	746	1805	1825	3468	3579	6/10	6/10	2500	3800
	3000	3000	1131	996	2055	2075	3968	4079	6/10	6/10	2500	3800
	3300	3300	1281	1146	2205	2225	4268	4379	6/10	6/10	2500	3800
	3500	3500	1381	1246	2305	2325	4468	4579	6/10	6/10	2500	3800
	3600	3600	1431	1296	2355	2375	4568	4679	6/10	6/10	2500	3800
	3700	3700	1481	1346	2405	2425	4668	4779	6/10	6/10	2500	3800
	4000	4000	1681	1546	2605	2625	4968	5079	6/6	6/6	2400	3650
Three-stage DZ	4000	4000	1056	1021	1980	2100	4976	5079	6/6	6/6	2350	3650
	4350	4350	1181	1146	2105	2225	5326	5379	6/6	6/6	2200	3550
	4500	4500	1231	1196	2155	2275	5476	5579	6/6	6/6	2000	3350
	4800	4800	1331	1296	2255	2375	5776	5879	6/6	6/6	1900	3100
	5000	5000	1474	1439	2398	2518	5976	6079	6/6	6/6	1700	3000
	5500	5500	1708	1673	2647	2752	6476	6579	3/6	3/6	1400	2700
	6000	6000	1941	1906	2865	2985	6976	7079	3/6	3/6	950	2200
	6500	/	2174	/	3098	/	7476	/	3/6	/	700	/

Two lift height (no load-backrest) +300mm; Free lift height (no load-backrest) +238mm.

Mast Table FE4P30GY/GY2 FE4P35GY/GY2

Designation	Lift height h3 (mm)		Free Lift h2 (mm)		Closed mast height h1 (mm)		Extended mast height h4 (mm)		Tilt forward / backward $\alpha / \beta(^{\circ})$		Capacity table(kg) C=500mm without sideshift single superelastic tyre	
	FE4P30Y/GY2	FE4P35GY/GY2	FE4P30Y/GY2	FE4P35GY/GY2	FE4P30Y/GY2	FE4P35GY/GY2	FE4P30Y/GY2	FE4P35GY/GY2	FE4P30Y/GY2	FE4P35GY/GY2	FE4P30Y/GY2	FE4P35GY/GY2
Two-stage ZT	2000	2000	140	145	1575	1685	3079	3079	6/10	6/10	3000	3500
	2500	2500	140	145	1825	1935	3579	3579	6/10	6/10	3000	3500
	3000	3000	140	145	2075	2185	4079	4079	6/10	6/10	3000	3500
	3300	3300	140	145	2225	2335	4379	4379	6/10	6/10	3000	3500
	3500	3500	140	145	2325	2435	4579	4579	6/10	6/10	3000	3500
	3600	3600	140	145	2375	2485	4679	4679	6/10	6/10	3000	3500
	3700	3700	140	145	2425	2535	4779	4779	6/10	6/10	3000	3500
	4000	4000	140	145	2625	2735	5079	5079	6/6	6/6	2950	3300
	4300	4300	140	145	2775	2885	5379	5379	6/6	6/6	2850	3250
	4500	4500	140	145	2875	2985	5579	5579	6/6	6/6	2600	3100
5000	5000	140	145	3125	3235	6079	6079	6/6	6/6	2400	2650	
Two-stage ZZ	2000	2000	496	496	1575	1575	3079	3079	6/10	6/10	3000	3500
	2500	2500	746	746	1825	1825	3579	3579	6/10	6/10	3000	3500
	3000	3000	996	996	2075	2075	4079	4079	6/10	6/10	3000	3500
	3300	3300	1146	1146	2225	2225	4379	4379	6/10	6/10	3000	3500
	3500	3500	1246	1246	2325	2325	4579	4579	6/10	6/10	3000	3500
	3600	3600	1296	1296	2375	2375	4679	4679	6/10	6/10	3000	3500
	3700	3700	1346	1346	2425	2425	4779	4779	6/10	6/10	3000	3450
	4000	4000	1546	1546	2625	2625	5079	5079	6/6	6/10	2950	3300
Three-stage DZ	4000	4000	921	921	2000	2000	5079	5079	6/6	6/6	2900	3250
	4350	4350	1046	1046	2125	2125	5479	5479	6/6	6/6	2700	3150
	4500	4500	1096	1096	2175	2175	5579	5579	6/6	6/6	2600	3000
	4800	4800	1196	1196	2275	2275	5879	5879	6/6	6/6	2400	2800
	5000	5000	1339	1339	2418	2418	6079	6079	6/6	6/6	2300	2650
	5500	5500	1573	1573	2652	2652	6579	6579	3/6	3/6	1800	2200
	6000	6000	1806	1806	2885	2885	7079	7079	3/6	3/6	1400	1500
	6500	6500	2039	2039	3118	3118	7579	7579	3/6	3/6	800	900
7000	7000	2205	2205	3284	3284	8079	8079	3/6	3/6	600	700	
Four-stage DZ	6100	6100	1190	1190	2135	2135	7045	7045	3/6	3/6	1400	1500
	6600	6600	1315	1315	2260	2260	7545	7545	3/6	3/6	800	900
	7000	7000	1495	1495	2440	2440	7945	7945	3/6	3/6	600	700

Two lift height (no load-backrest) +400mm; Free lift height (no load-backrest) +320mm.

Type sheet for industrial truck acc. to VDI 2198

1KG=2.2LB 1INCH=25.4MM

Identification						
1.2	Manufacturer's type designation		FE4P30GY	FE4P30GY2	FE4P35GY	FE4P35GY2
1.3	Drive:electric(battery or mains),diesel,petrol gas,manual)		electric	electric	electric	electric
1.4	Type of operation(hand,pedestrian,standing,seated,order-picker)		seated	seated	seated	seated
1.5	Load capacity/rated load	Q(kg)	3000	3000	3500	3500
1.6	Load centre distance	c(mm)	500	500	500	500
1.8	Load distance,centre of drive axle to fork	x(mm)	478	478	483	483
1.9	wheelbase	y(mm)	1700	1700	1760	1760
Weights						
2.1	Service weight incl. battery	kg	4280	4280	4660	4660
2.2	Axle loading ,laden front/rear	kg	6530/750	6530/750	7240/920	7240/920
2.3	Axle loading,unladen front/rear	kg	2060/2220	2060/2220	2040/2620	2040/2620
Wheels\ Chassis						
3.1	Type:solid rubber,superelastic,pneumatic,polyurethane		pneumatic	pneumatic	pneumatic	pneumatic
3.2	Tyres size,front		28×9-15-14PR	28×9-15-14PR	28×9-15-14PR	28×9-15-14PR
3.3	Tyres size,rear		6.50-10-10PR	6.50-10-10PR	6.50-10-10PR	6.50-10-10PR
3.5	Wheels,number front/rear(×=driven wheels)		2×/2	2×/2	2×/2	2×/2
3.6	Track width,front	b10(mm)	1004	1004	1004	1004
3.7	Track width,rear	b11(mm)	982	982	982	982
Basic Dimensions						
4.1	Mast/fork carriage tilt forward/backward	α/β(°)	6/10	6/10	6/10	6/10
4.2	lowered mast height	h1(mm)	2070	2070	2185	2185
4.3	Free lift	h2(mm)	140	140	145	145
4.4	Lift height	h3(mm)	3000	3000	3000	3000
4.5	Extended mast height	h4(mm)	4079	4079	4079	4079
4.7	Overhead load guardheight	h6(mm)	2200	2200	2200	2200
4.8	Seat height/standing height	h7(mm)	1130	1130	1130	1130
4.12	Coupling height	h10(mm)	580	580	580	580
4.19	Overall length	l1(mm)	3688	3688	3818	3818
4.20	Length to face of forks	l2(mm)	2618	2618	2748	2748
4.21	Overall width	b1(mm)	1230	1230	1230	1230
4.22	Fork dimensions	s/e/l(mm)	45/125/1070	45/125/1070	50/125/1070	50/125/1070
4.24	Fork carriage width	b3(mm)	1100	1100	1100	1100
4.31	Ground clearance ,laden,under mast	m1(mm)	140	140	145	145
4.32	Ground clearance,centre of wheelbase	m2(mm)	150	150	150	150
4.33	Aisle width for pallets 1000×1200 crossways	Ast(mm)	4039	4039	4153	4153
4.34	Aisle width for pallets 800×1200 lengthways	Ast(mm)	4238	4238	4353	4353
4.35	Turning radius	Wa(mm)	2360	2360	2470	2470
Performance Data						
5.1	Travel speed,laden/unladen	km/h	14/15	17/18	14/15	17/18
5.2	Lift speed,laden/unladen	m/s	0.3/0.4	0.44/0.5	0.3/0.4	0.42/0.5
5.3	lowering speed,laden/unladen	m/s	<0.6	<0.6	<0.6	<0.6
5.5	Drawbar pull,laden/unladen S2 60 min	N	10000/11000	11000/12000	10000/11000	11000/12000
5.7	Max.Gradient performance,laden/unladen S2 5 min	%	20/25	20/28	20/25	20/28
5.10	Service brake		hydraulic	hydraulic	hydraulic	hydraulic
E-Motor						
6.1	Drive motor rating S2 60 min	kW	15	15	15	15
6.2	Lift motor rating at S3 15%	kW	22.6	22.6	22.6	22.6
6.3	Battery standard		Lion	Lion	Lion	Lion
6.4	Battery voltage,nominal capacity K5	V/Ah	76.8/206 option:277/412/554	153/206 option:277	76.8/206 option:277/412/554	153/206 option:277
6.5	Battery weight	kg	200/240/300/360 hoisting:770/600/605	275(400)	200/240/300/360 hoisting:770/600/605	275(400)
6.6	Battery dimensions l/w/h	mm	Slide Over:1086/760/360	Slide Over:1086/760/360	Slide Over:1086/760/360	Slide Over:1086/760/360
Other Details						
8.1	Type of drive control		permanent magnet	permanent magnet	permanent magnet	permanent magnet
8.2	Operating pressure for attachments	Mpa	17.5	17.5	17.5	17.5
8.3	Oil volume for attachments	l/min	36	36	36	36
8.4	Sound level at driver's ear according to EN 12 053	dB(A)	74	74	74	74

Type sheet for industrial truck acc. to VDI 2198

1KG=2.2LB 1INCH=25.4MM

Identification						
1.2	Manufacturer's type designation		FE4P25GY	FE4P25GY2	FE4P38GY	FE4P38GY2
1.3	Drive:electric(battery or mains),diesel,petrol gas,manual)		electric	electric	electric	electric
1.4	Type of operation(hand,pedestrian,standing,seated,order-picker)		seated	seated	seated	seated
1.5	Load capacity/rated load	Q(kg)	2500	2500	3800	3800
1.6	Load centre distance	c(mm)	500	500	500	500
1.8	Load distance,centre of drive axle to fork	x(mm)	473	473	483	483
1.9	wheelbase	y(mm)	1630	1630	1760	1760
Weights						
2.1	Service weight incl. battery	kg	3800	3800	4860	4860
2.2	Axle loading ,laden front/rear	kg	5660/640	5660/640	7720/940	7720/940
2.3	Axle loading,unladen front/rear	kg	1620/2180	1620/2180	1780/3080	1780/3080
Wheels\ Chassis						
3.1	Type:solid rubber,superelastic,pneumatic,polyurethane		pneumatic	pneumatic	pneumatic	pneumatic
3.2	Tyres size,front		7.00-12-12PR	7.00-12-12PR	28×9-15-14PR	28×9-15-14PR
3.3	Tyres size,rear		6.00-9-10PR	6.00-9-10PR	6.50-10-10PR	6.50-10-10PR
3.5	Wheels,number front/rear(×=driven wheels)		2×/2	2×/2	2×/2	2×/2
3.6	Track width,front	b10(mm)	973	973	1004	1004
3.7	Track width,rear	b11(mm)	982	982	982	982
Basic Dimensions						
4.1	Mast/fork carriage tilt forward/backward	α/β(°)	6/10	6/10	6/10	6/10
4.2	lowered mast height	h1(mm)	2070	2070	2185	2185
4.3	Free lift	h2(mm)	135	135	145	145
4.4	Lift height	h3(mm)	3000	3000	3000	3000
4.5	Extended mast height	h4(mm)	3974	3974	4079	4079
4.7	Overhead load guardheight	h6(mm)	2200	2200	2200	2200
4.8	Seat height/standing height	h7(mm)	1130	1130	1130	1130
4.12	Coupling height	h10(mm)	470	470	580	580
4.19	Overall length	l1(mm)	3590	3590	3818	3818
4.20	Length to face of forks	l2(mm)	2520	2520	2748	2748
4.21	Overall width	b1(mm)	1150	1150	1230	1230
4.22	Fork dimensions	s/e/l(mm)	40/122/1070	40/122/1070	50/125/1070	50/125/1070
4.24	Fork carriage width	b3(mm)	1040	1040	1100	1100
4.31	Ground clearance ,laden,under mast	m1(mm)	135	135	145	145
4.32	Ground clearance,centre of wheelbase	m2(mm)	150	150	150	150
4.33	Aisle width for pallets 1000×1200 crossways	Ast(mm)	3903	3903	4353	4353
4.34	Aisle width for pallets 800×1200 lengthways	Ast(mm)	4103	4103	4353	4353
4.35	Turning radius	Wa(mm)	2230	2230	2470	2470
Performance Data						
5.1	Travel speed,laden/unladen	km/h	14/15	17/18	14/15	17/18
5.2	Lift speed,laden/unladen	m/s	0.3/0.4	0.40/0.5	0.30/0.40	0.40/0.5
5.3	lowering speed,laden/unladen	m/s	<0.6	<0.6	<0.6	<0.6
5.5	Drawbar pull,laden/unladen S2 60 min	N	13000/14000	17000/18000	10000/11000	11000/12000
5.7	Max.Gradient performance,laden/unladen S2 5 min	%	20/25	20/28	20/25	20/28
5.10	Service brake		hydraulic	hydraulic	hydraulic	hydraulic
E-Motor						
6.1	Drive motor rating S2 60 min	kW	15	15	15	15
6.2	Lift motor rating at S3 15%	kW	22.6	22.6	22.6	22.6
6.3	Battery standard		Lion	Lion	Lion	Lion
6.4	Battery voltage,nominal capacity K5	V/Ah	76.8/206 option:277/412/554	153/206 option:277	76.8/206 option:277/412/554	153/206 option:277
6.5	Battery weight	kg	200/240/300/360 hoisting:770/600/605	275(400)	200/240/300/360 hoisting:770/600/605	275(400)
6.6	Battery dimensions l/w/h	mm	Slide Over:1086/760/360	Slide Over:1086/760/360	Slide Over:1086/760/360	Slide Over:1086/760/360
Other Details						
8.1	Type of drive control		permanent magnet	permanent magnet	permanent magnet	permanent magnet
8.2	Operating pressure for attachments	Mpa	17.5	17.5	17.5	17.5
8.3	Oil volume for attachments	l/min	36	36	36	36
8.4	Sound level at driver's ear according to EN 12 053	dB(A)	74	74	74	74