

ELECTRIC SERIES SCISSOR LIFTS

# SC08HN(SC2032HN)/SC10HN(SC2632HN)

Complies with ISO/CE/ANSI/KCS/EAC standards

## PRODUCT HIGHLIGHTS

### Reduced maintenance costs

- Lower cost of ownership with highly versatile parts and components
- Rapid, convenient transportation with forklift slot and Lifting hole
- Double-door design for easy maintenance

### Efficient and environmentally friendly

- Higher work efficiency
- Environmental protection, zero emissions
- Folding guardrails for easy transport

### Reliable performance

- Equipped with emergency descent system to ensure the personal safety of operators
- The pothole protection reporting and horizontal protection system guarantee safety of operation



#### Standard features

Proportional controls	Emergency lowering system	Work schedule
Self-lock gate on platform	Emergency stop button	Safety brackets
Unidirectional extended platform	Tubing explosion system	Forklift pockets
Full travel	Fault diagnosis system	Charger protection
Non-marking tyres	Tilt protection system	Flashing beacon
Hydraulic motor drive	All Motion Alarm	Folding guardrails
Automatic brakes system	Horn	Automatic pothole protection

#### Optional features

Overload sensor	Platform work lights	Maintenance-free battery
AC power on the platform	Airline to the Platform	

**NOBLELIFT**

[www.noblelift.com](http://www.noblelift.com)

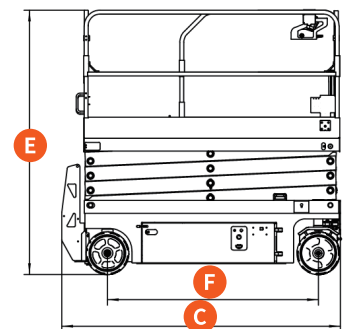
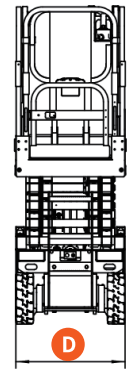
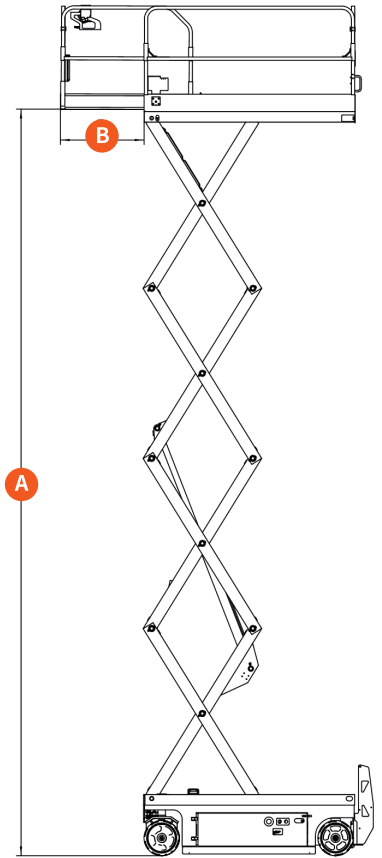
**NOBLELIFT INTELLIGENT EQUIPMENT CO., LTD.**

## ELECTRIC SERIES SCISSOR LIFTS

# SC08HN(SC2032HN)/SC10HN(SC2632HN)

Complies with ISO/CE/ANSI/KCS/EAC standards

Model	SC08HN(SC2032HN)	SC10HN(SC2632HN)
<b>Dimensions</b>		
Max Working Height	8m(26'3")	10m(32'10")
A Max Platform Height	6m(19'8")	8m(26'3")
B Max Horizontal Extension	0.9m(3')	0.9m(3')
C Length-Stowed	2.48m(8'2")	2.48m(8'2")
D Width-Stowed	0.81m(2'8")	0.81m(2'8")
E Height-stowed (Rail Folded)	1.81m(5'11")	1.93m(6'4")
E Height-stowed (Rail Unfolded)	2.24m(7'4")	2.36m(7'9")
F Wheelbase	1.87m(6'2")	1.87m(6'2")
Ground Clearance(Pothole Guard Stowed)	0.10m(4")	0.10m(4")
Ground Clearance(Pothole Guard Deployed)	0.019m(0.7")	0.019m(0.7")
Platform Dimensions(LxWxH)	2.27x0.81mx1.1m (7'5"x2'8"x3'7")	2.27x0.81mx1.1m (7'5"x2'8"x3'7")
<b>Performance</b>		
Platform Allowable Occupants (Indoors/Outdoors)	2persons/1person	2persons
Platform Capacity	380kg(838 lbs)	230kg(500 lbs)
Drive Speed-Stowed	3.2 km/h(2 mph)	3.2 km/h(2 mph)
Drive Speed-Raised	0.8 km/h(0.5 mph)	0.8 km/h(0.5 mph)
Elevation Time(Unloaded)	32sec	32sec
Descent Time(Unloaded)	35sec	35sec
Gradeability	25%	25%
TurningRadius(Inside/Outside)	0/2.2m(0/7'3")	0/2.2m(0/7'3")
Tilt Rating(Front to Back/Side to Side)	3°/1.5°	3°/1.5°
Tire Spec/Type	381x127mm(15x5")/solid	381x127mm(15x5")/solid
<b>Power</b>		
Batteries	4 x 6V/225Ah	4 x 6V/225Ah
Power Source	24V DC	24V DC
Drive Mode	Hydraulic motor, front-wheel	Hydraulic motor, front-wheel
Charger Input	100~240V AC	100~240V AC
Charger Output	30A	30A
Hydraulic Tank Capacity	20L(4.4gal(UK) / 5.3gal(US))	20L(4.4gal(UK) / 5.3gal(US))
<b>Weight</b>		
Weight(Indoor & Outdoor)	2140kg(4718 lbs)	2275kg (5016 lbs)



We reserve the right to make specification changes without notification.  
The above represents the current specifications at time of publication. 05.2024