

ELECTRIC SERIES SCISSOR LIFTS

SC08HC(SC1930HC)/SC08EC(SC1930EC)

Complies with ISO/CE/ANSI/KCS/EAC standards

PRODUCT HIGHLIGHTS

Reduced maintenance costs

- Lower cost of ownership with highly versatile parts and components
- Rapid, convenient transportation with forklift slot and Lifting hole
- Double-door design for easy maintenance

Efficient and environmentally friendly

- Higher work efficiency
- Environmental protection, zero emissions
- Folding guardrails for easy transport

Reliable performance

- Equipped with emergency descent system to ensure the personal safety of operators
- The pothole protection reporting and horizontal protection system guarantee safety of operation



Standard features

Proportional controls	Emergency lowering system	Work schedule
Self-lock gate on platform	Emergency stop button	Safety brackets
Unidirectional extended platform	Tubing explosion system	Forklift pockets
Full travel	Fault diagnosis system	Charger protection
Non-marking tyres	Tilt protection system	Flashing beacon
Hydraulic motor drive-SC08HC(SC1930HC) Motor drive-SC08EC(SC1930EC)	All Motion Alarm	Folding guardrails
Automatic brakes system	Horn	Automatic pothole protection

Optional features

Overload sensor	Platform work lights	Maintenance-free battery
AC power on the platform	Airline to the Platform	

NOBLELIFT

www.noblelift.com

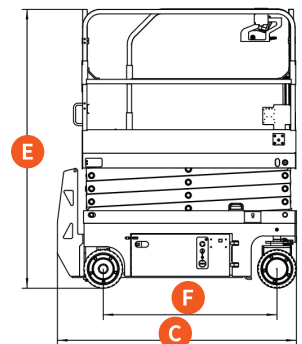
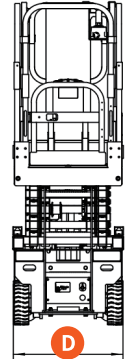
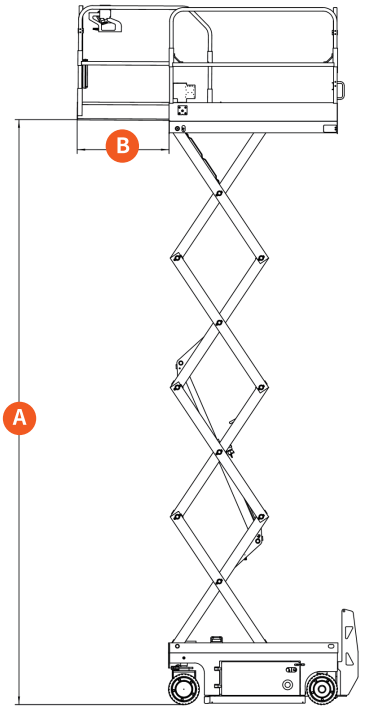
NOBLELIFT INTELLIGENT EQUIPMENT CO., LTD.

ELECTRIC SERIES SCISSOR LIFTS

SC08HC(SC1930HC)/SC08EC(SC1930EC)

Complies with ISO/CE/ANSI/KCS/EAC standards

Model	SC08HC(SC1930HC)	SC08EC(SC1930EC)
Dimensions		
Max Working Height	7.8m(25'7")	7.8m(25'7")
A Max Platform Height	5.8m(19')	5.8m(19')
B Max Horizontal Extension	0.9m(3')	0.9m(3')
C Length-Stowed	1.885m(6'2")	1.885m(6'2")
D Width-Stowed	0.76m(2'6")	0.76m(2'6")
E Height-stowed (Rail Folded)	1.78m(5'10")	1.78m(5'10")
E Height-stowed (Rail Unfolded)	2.18m(7'2")	2.18m(7'2")
F Wheelbase	1.37m(4'6")	1.37m(4'6")
Ground Clearance(Pothole Guard Stowed)	0.07m(3")	0.07m(3")
Ground Clearance(Pothole Guard Deployed)	0.015m(0.6")	0.015m(0.6")
Platform Dimensions(LxWxH)	1.67x0.74mx1.1m (5'6"x2'5"x3'7")	1.67x0.74mx1.1m (5'6"x2'5"x3'7")
Performance		
Platform Allowable Occupants (Indoors/Outdoors)	2persons/1person	2persons/1person
Platform Capacity	230kg(500 lbs)	230kg(500 lbs)
Drive Speed-Stowed	3.8 km/h(2.4 mph)	4.5 km/h(2.8 mph)
Drive Speed-Raised	0.8 km/h(0.5 mph)	0.8 km/h(0.5 mph)
Elevation Time(Unloaded)	20sec	23sec
Descent Time(Unloaded)	32sec	32sec
Gradeability	25%	25%
TurningRadius(Inside/Outside)	0/1.75m(0/5'9")	0/1.75m(0/5'9")
Tilt Rating(Front to Back/Side to Side)	3°/1.5°	3°/1.5°
Tire Spec/Type	305x100mm(12x4")/solid	305x100mm(12x4")/solid
Power		
Batteries	4 x 6V/225Ah	4 x 6V/225Ah
Power Source	24V DC	24V DC
Drive Mode	Hydraulic motor, front-wheel	Motor, front-wheel
Charger Input	100~240V AC	100~240V AC
Charger Output	30A	30A
Hydraulic Tank Capacity	10L(2.2gal(UK) / 2.6gal(US))	10L(2.2gal(UK) / 2.6gal(US))
Weight		
Weight(Indoor & Outdoor)	1585kg(3494 lbs)	1610kg (3549 lbs)



We reserve the right to make specification changes without notification. The above represents the current specifications at time of publication. 05.2024