

ELECTRIC SERIES SCISSOR LIFTS

SC10E(SC2645E)/SC12E(SC3345E)/SC14E(SC3945E)

Complies with ISO/CE/ANSI/KCS/EAC standards

PRODUCT HIGHLIGHTS

Reduced maintenance costs

- Lower cost of ownership with highly versatile parts and components
- Rapid, convenient transportation with forklift slot and Lifting hole
- Double-door design for easy maintenance

Efficient and environmentally friendly

- Higher work efficiency
- Environmental protection, zero emissions
- Folding guardrails for easy transport

Reliable performance

- Equipped with emergency descent system to ensure the personal safety of operators
- The pothole protection reporting and horizontal protection system guarantee safety of operation



Standard features

Proportional controls	Emergency lowering system	Work schedule
Self-lock gate on platform	Emergency stop button	Safety brackets
Unidirectional extended platform	Tubing explosion system	Forklift pockets
Full travel	Fault diagnosis system	Charger protection
Non-marking tyres	Tilt protection system	Flashing beacon
Motor drive	All Motion Alarm	Folding guardrails
Automatic brakes system	Horn	Automatic pothole protection

Optional features

Overload sensor	Platform work lights	Maintenance-free battery
AC power on the platform	Airline to the Platform	

NOBLELIFT

www.noblelift.com

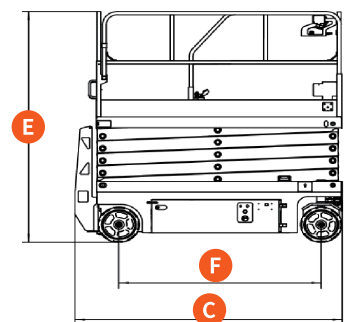
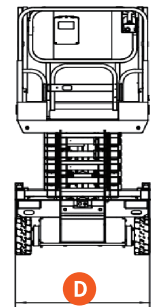
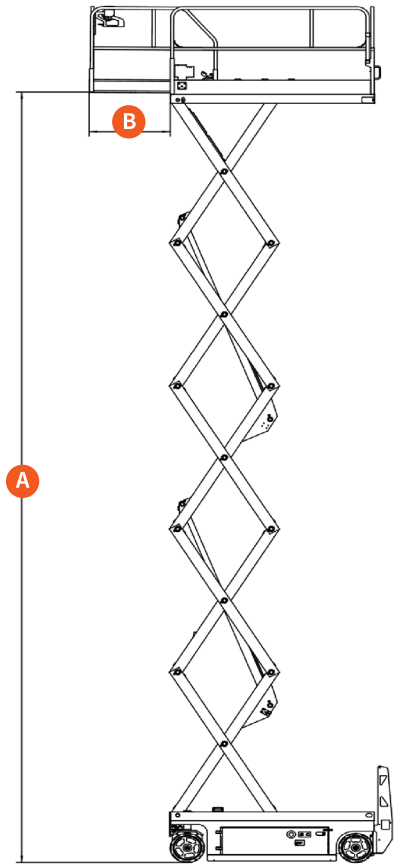
NOBLELIFT INTELLIGENT EQUIPMENT CO., LTD.

ELECTRIC SERIES SCISSOR LIFTS

SC10E(SC2645E)/SC12E(SC3345E)/SC14E(SC3945E)

Complies with ISO/CE/ANSI/KCS/EAC standards

Model	SC10E(SC2645E)	SC12E(SC3345E)	SC14E(SC3945E)
Dimensions			
Max Working Height	10m(32'10")	12m(39'5")	13.8m(45'3")
A Max Platform Height	8m(26'3")	10m(32'10")	11.8m(38'9")
B Max Horizontal Extension	0.9m(3')	0.9m(3')	0.9m(3')
C Length-Stowed	2.48m(8'2")	2.48m(8'2")	2.48m(8'2")
D Width-Stowed	1.15m(3'9")	1.15m(3'9")	1.15m(3'9")
E Height-stowed (Rail Folded)	1.78m(5'10")	1.92m(6'4")	2.04m(6'8")
E Height-stowed (Rail Unfolded)	2.32m(7'7")	2.44m(8')	2.58m(8'6")
F Wheelbase	1.87m(6'2")	1.87m(6'2")	1.87m(6'2")
Ground Clearance (Pothole Guard Stowed)	0.10m(4")	0.10m(4")	0.10m(4")
Ground Clearance (Pothole Guard Deployed)	0.019m(0.7")	0.019m(0.7")	0.019m(0.7")
Platform Dimensions(LxWxH)	2.27x1.12mx1.1m (7'5"x3'8"x3'7")	2.27x1.12mx1.1m (7'5"x3'8"x3'7")	2.27x1.12mx1.1m (7'5"x3'8"x3'7")
Performance			
Platform Allowable Occupants (Indoors/Outdoors)	2persons/1person	2persons/1person	2persons
Platform Capacity	450kg(1000 lbs)	320kg(700 lbs)	320kg(700 lbs)
Drive Speed-Stowed	4 km/h(2.5 mph)	4 km/h(2.5 mph)	4 km/h(2.5 mph)
Drive Speed-Raised	0.8 km/h(0.5 mph)	0.8 km/h(0.5 mph)	0.8 km/h(0.5 mph)
Elevation Time(Unloaded)	27sec	48sec	50sec
Descent Time(Unloaded)	36sec	48sec	50sec
Gradeability	25%	25%	25%
TurningRadius(Inside/Outside)	0/2.5m(0/8'2")	0/2.5m(0/8'2")	0/2.5m(0/8'2")
Tilt Rating (Front to Back/Side to Side)	3°/1.5°	3°/1.5°	3°/1.5°
Tire Spec/Type	381x127mm(15x5")/solid	381x127mm(15x5")/solid	381x127mm(15x5")/solid
Power			
Batteries	4 x 6V/225Ah	4 x 6V/225Ah	4 x 12V/300Ah
Power Source	24V DC	24V DC	24V DC
Drive Mode	Motor, front-wheel	Motor, front-wheel	Motor, front-wheel
Charger Input	100~240V AC	100~240V AC	100~240V AC
Charger Output	30A	30A	30A
Hydraulic Tank Capacity	20L(4.4gal(UK) / 5.3gal(US))	20L(4.4gal(UK) / 5.3gal(US))	20L(4.4gal(UK) / 5.3gal(US))
Weight			
Weight(Indoor & Outdoor)	2655kg(5853 lbs)	2990kg (6592 lbs)	3210kg(7077 lbs)



Standards Compliance ISO/CE/ANSI/ KCS/EAC

We reserve the right to make specification changes without notification. The above represents the current specifications at time of publication. 05.2024