

www.noblelift.com

NOBLELIFT

# EDGE Pro

Lithium Powered Pallet Truck

Ideal to solve customers' pain points



NEW / *Noblelift Products*  
ARRIVAL





## Multi-vehicle operating scenario

**EDGE Pro**  
Lithium Powered Pallet Truck

Inheriting the classic design, it is light, flexible, and powerful. It can work with multiple vehicles in narrow spaces such as logistics sorting centers, cargo compartments, containers, freight elevators, supermarkets, etc., greatly improving handling efficiency.





## Mobile smart charging hub (optional)

Edge Pro mobile smart charging hub features a compact footprint and portability. With a standard 5-compartment design, it enables centralized charging, providing convenient charging access. Additionally, it incorporates overload protection and an automatic power cut-off function when fully charged.

Equipped with an automatic fire suppression system and alarm indicator lights, the bottom is designed with a fire extinguisher storage cabinet.

Optional configurations include charging for 24v, 48v or mixture of both batteries. Each battery compartment is independently equipped with a display screen to show the battery status.





## Battery heating function (optional)

Battery comes with a built-in heating function to ensure the normal operation of the entire system in low-temperature environments such as cold storage.





# On-board operating scenarios



(Optional) On-board charger



(Optional) Battery anti-theft lock

## EDGE PRO Lithium Powered Pallet Truck



Compact design combined with vertical drive, suitable for operation in narrow spaces such as truck compartments, shipping containers, cargo elevators, small warehouses, and supermarket aisles.

(Optional) On-board charger 24V 8A, providing convenient charging while on board.

(Optional) Battery anti-theft lock.





# Gradeability & overall vehicle strength

The external covering of the chassis provides effective protection for key components, ensuring the safety of the operators.

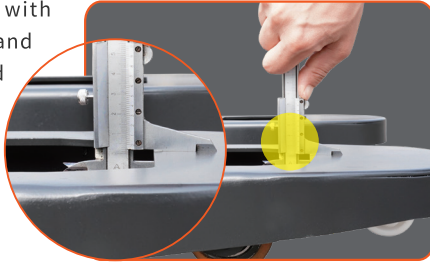


## High-Strength chassis design

High-strength and compact chassis design, ensuring chassis' strength without adding excess weight to the vehicle.

Enhanced grade-ability up to 8% when fully loaded (supported by batteries of 48V20Ah or higher). The vehicle can be easily maneuvered in loading platforms and various delivery environments.

Optimized fork design with enhanced pallet entry and exit efficiency. Reinforced strength with fork thickness reaching 4.5-5mm.



(optional) fork height: 75mm

Optional backrest different heights: 1070mm/1220mm/1525mm



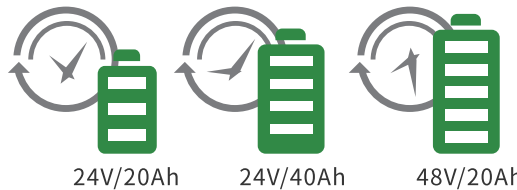
6-8% / 16%  
(laden/ unladen)



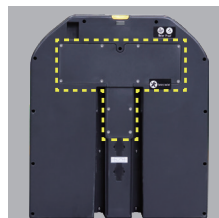
# Green Energy & Easy Maintenance

## Different battery capacity options to meet various usage requirements

Edge comes standard with maintenance-free lithium iron phosphate batteries, featuring an integrated Battery Management System (BMS) to ensure intelligent control and maximize battery performance.



Min. 2~3 hours charge | Extended Working Time



The battery is designed with a maintenance window on the back, making it more convenient to replace the BMS, secondary protection module, and fuses.



External programming port for easy and quick parameter adjustments and maintenance.



The hydraulic system and electrical system are highly integrated, significantly reducing the vehicle body length (L2) for easy installation and maintenance.

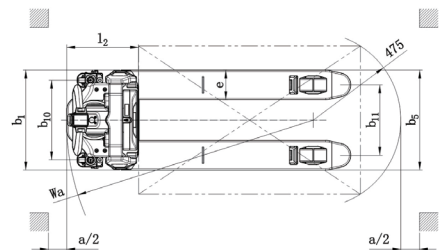
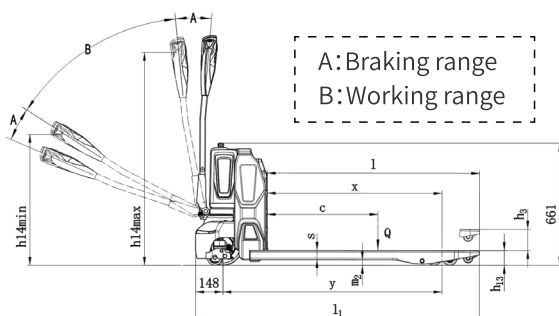


(Optional) Built-in charger with on-demand charging function.



Identification						
1.2	Manufacturer's type designation		PTE15NPRO		PTE20NPRO	
1.3	Drive		Battery		Battery	
1.4	Operator type		Pedestrian		Pedestrian	
1.5	Load Capacity / rated load	Q (t)	1.5		2.0	
1.6	Load centre distance	c (mm)	600		600	
1.8	Load distance ,centre of drive axle to fork	x (mm)	947		951	
1.9	Wheelbase	y (mm)	1187		1189	
Weights						
2.1	Service weight	kg	125	127	149	153
2.2	Axle loading, laden front/rear	kg	500 / 1225	626/ 1002	621 / 1528	625/ 1528
2.3	Axle loading, unladen front/rear	kg	96/29	99/29	115/34	119/34
Wheels\ Chassis						
3.1	Tires		PU		PU	
3.2	Tire size,front	Øx w (mm)	Ø210×70		Ø210×70	
3.3	Tire size,rear	Øx w (mm)	Ø74×93 <sup>1)</sup> / 80×70 ( 80×93)		Ø74×93 <sup>1)</sup> / 80×70 ( 80×93)	
3.4	Additional wheels(dimensions)	Øx w (mm)	-/Ø80×30		-/Ø80×30	
3.5	Wheels,number front/rear(x=driven wheels)		1x/ 2(1x/ 4) or 1x +2/ 2(1x +2/ 4)		1x/ 2(1x/ 4) or 1x +2/ 2(1x +2/ 4)	
3.6	Tread, front	b10 (mm)	-/430		-/430	
3.7	Tread, rear	b11 (mm)	380	525	380	525
Basic Dimensions						
4.4	Lift	h3 (mm)	115		115	
4.9	Height of tiller in drive position min./ max.	h14 (mm)	700 / 1160		700 / 1160	
4.15	Height, lowered	h13 (mm)	75 <sup>2)</sup> /80		75 <sup>2)</sup> /80	
4.19	Overall length	l1 (mm)	1537		1543	
4.20	Length to face of forks	l2 (mm)	388		394	
4.21	Overall width	b1 (mm)	540	685	540	685
4.22	Fork dimensions	s/e/l (mm)	50 / 160 / 1150		50 / 160 / 1150	
4.25	Width across forks	b5 (mm)	540	685	540	685
4.32	Ground clearance, centre of wheelbase	m2 (mm)	25 <sup>3)</sup> /30		25 <sup>3)</sup> /30	
4.34	Aisle width for pallets800X1200 lengthways(200mm safe distance)	Ast (mm)	2013		2019	
4.35	Turning radius	Wa (mm)	1336		1342	
Performance Data						
5.1	Travel speed, laden/ unladen	km/h	4.2/4.7		4.8/5.2	
5.2	Lift speed, laden/ unladen	m/s	0.020/0.025		0.017/0.022	
5.3	Lowering speed, laden/ unladen	m/s	0.05 / 0.04		0.05 / 0.03	
5.8	Max. gradeability, laden/ unladen	%	6 / 16		8 / 16	
5.10	Service brake		Electromagnetic		Electromagnetic	
E-Motor						
6.1	Drive motor rating S2 60min	kW	0.65		1.0	
6.2	Lift motor rating at S3 10%	kW	0.5		0.8	
6.3	Battery acc. to DIN 43531/ 35/ 36 A, B, C, no		No		No	
6.4	Battery voltage, nominal capacity K5	V / Ah	24/20(24/40)		48/20	
6.5	Battery weight	kg	5.5(8.5)		8.5	
6.6	Energy consumption acc. to VDI cycle	kWh/h	0.18		0.25	
Other Details						
8.1	Type of drive control		DC speed Control		DC speed Control	

Notes: 1) When h13 is 75mm, select this single wheel; 2) With 74×93 single wheel; 3) When h13 is 75mm, m2 is 25mm.







Official website



Our Wechat



## NOBLELIFT CHINA

Add:528 Changzhou Road, Taihu Sub-district,  
Changxing, Zhejiang 313100 China  
Tel:86-572-6210817 6210311  
Fax:86-572-6210777 6128612  
Email: info@noblelift.com  
Http: www.noblelift.com www.noblelift.cn

## NOBLELIFT NORTH AMERICA

Add:2461 S Wolf Road Des Plaines, IL 60018  
Tel:001-847-595-7100  
Fax:001-847-595-7200  
Email: sales@nobleliftna.com  
Http: www.nobleliftna.com

## NOBLELIFT GERMANY

Werner-von-Siemens-Str. 12, 24568 Kaltenkirchen,  
Germany  
Tel : +49 (0) 4191 - 9575603  
Email: Mail@Noblelift-Germany.com  
Http: www.Noblelift-Germany.com

## NOBLELIFT RUSSIA

ООО «Ноблелифт Рус», 195067, Санкт-Петербург  
пр. Маршала Блюхера, д. 78, литер Б  
Тел.: +7-800-700-28-97  
Email: sales@noblelift.com.ru  
Http: www.noblelift.com.ru

## NOBLELIFT EUROPE

Registered Add: 24 rue Lamartine,  
38320 Eybens, France  
Tel: +33 5 19 08 12 80  
Email: support.eu@noblelift.com  
Http: www.noblelift-eu.com

## NOBLELIFT SOUTH EAST ASIA

No. 7, Jalan Astaka U8/84A, Seksyen U8, Bukit Jelutong,  
40150 Shah Alam, Selangor Darul Ehsan, Malaysia.  
Tel: +603 7831 8555  
Email: sales@nobleliftsea.com  
https: www.nobleliftsea.com