

PT16L/PT20L/PT25L

Electric Pedestrian Power Pallet Truck with capacities of 1600/2000/2500kg

- Ergonomic, Compact and Safe Long Tiller Design
- Reliable and Strong Chassis
- Powerful, Maintenance Free German AC power train
- Core Components from top quality brands

INTRODUCTION

The PT16L-25L series is the first choice for truck loading and unloading as well for universal transportation on short distances with capacities form 1600kg up to 2500kg. With the short chassis length(PT16L) the truck is tailored to operate in confined areas. With it's high-quality and state of the art top-brand components and technologies, the truck competes with leading well-known brands in the market.



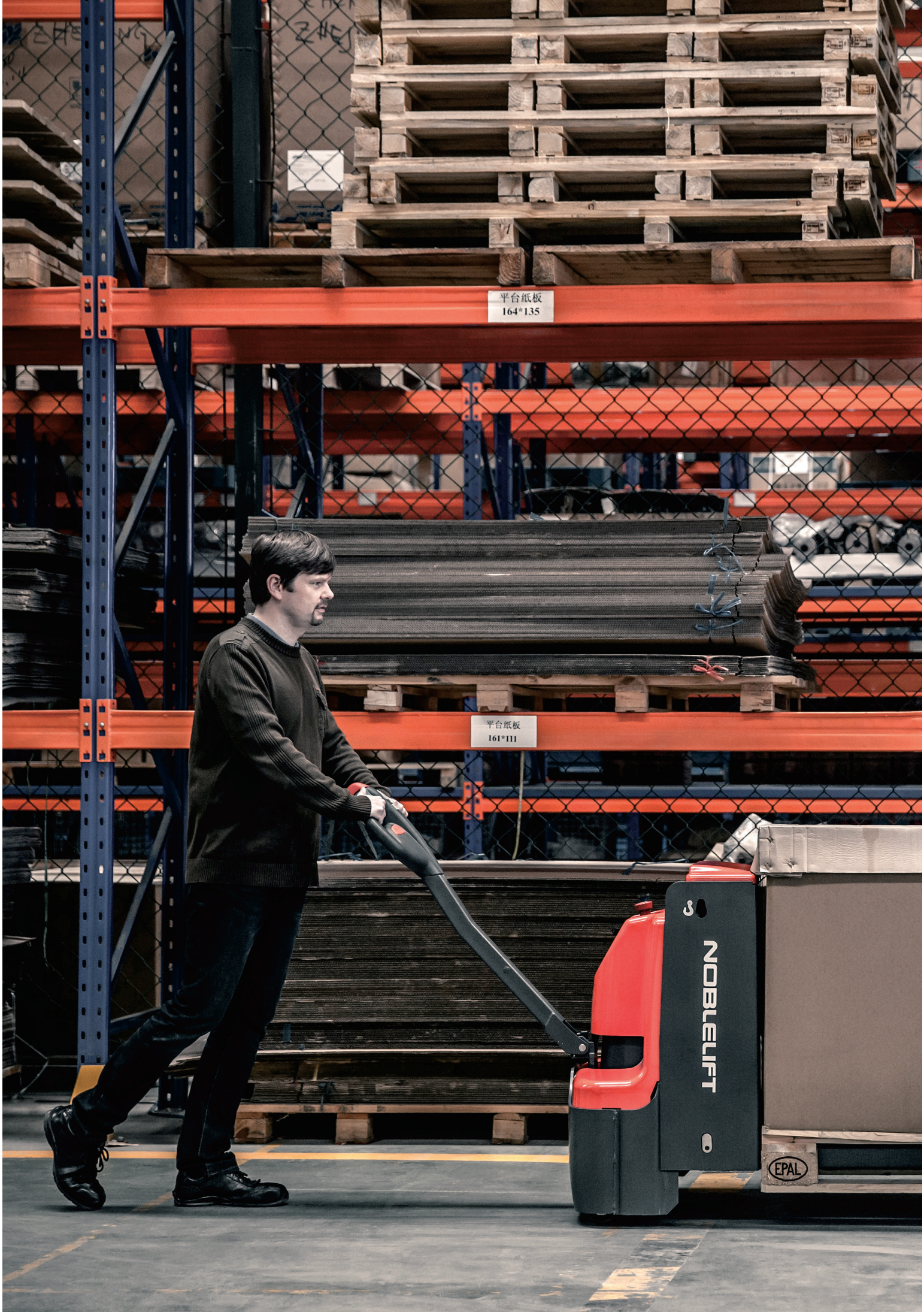
PT 16L

Top brand qualified components

Using high quality core components:

- Reliable multifunctional REMA tiller with ergonomic contactless rocker-switches
- Top quality Schabmueller AC drive motor
- Kordel gearbox
- Intorque brake
- Wicke drive wheel
- Zapi controller

The parts used reduce high service costs and give you the performance and reliability which is required for the most demanding harsh loading and unloading operations.

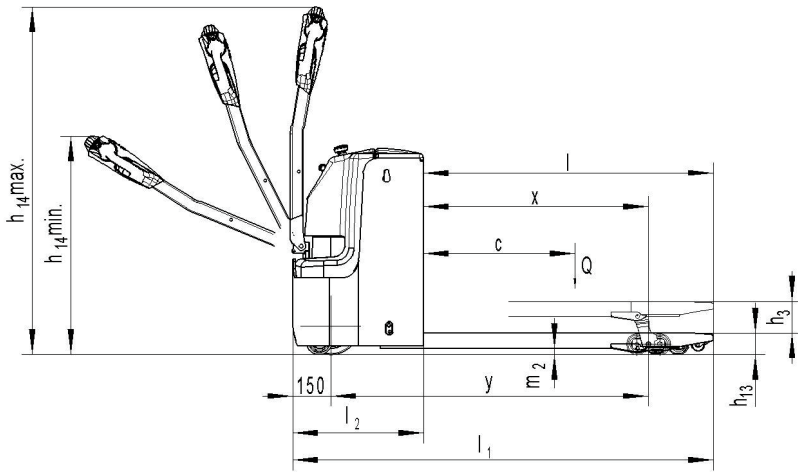


平台紙板
164*135

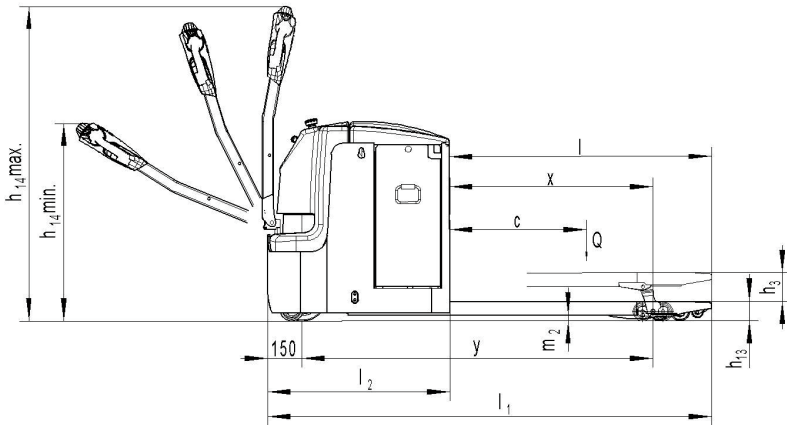
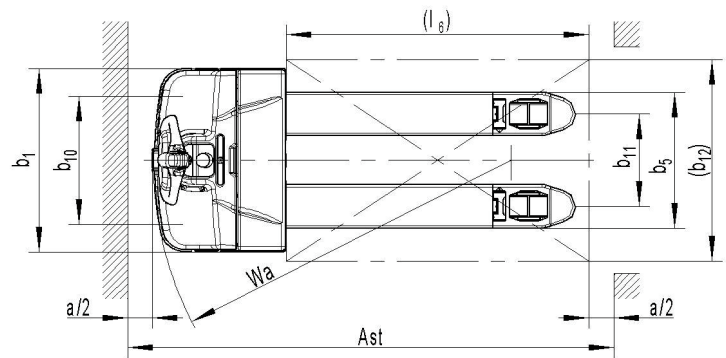
平台紙板
161*111

8
NOBLELIFT

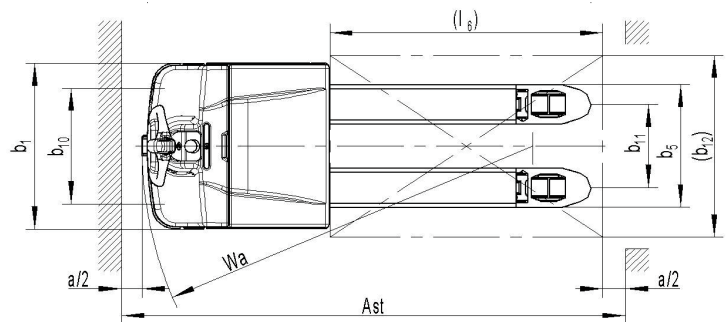
EPAL



PT 16/20L



PT 25L



Type sheet for industrial truck acc. to VDI 2198 1KG=2.2LB 1INCH=25.4MM

Identification					
1.2	Manufacturer's type designation		PT16L	PT20L	PT25L
1.3	Drive		Battery		
1.4	Operator type		Pedestrian		
1.5	Load Capacity / rated load	Q (t)	1.6	2.0	2.5
1.6	Load centre distance	c (mm)		600	
1.8	Load distance ,centre of drive axle to fork	x (mm)		892	
1.9	Wheelbase	y (mm)	1261	1327	1541
Weights					
2.1	Service weight	kg	445	535	720
2.2	Axle loading, laden front/rear	kg	715/1330	855/1680	1040/2200
2.3	Axle loading, unladen front/rear	kg	345/100	415/120	540/200
Wheels, Chassis					
3.1	Tires		Polyurethane (PU)		
3.2	Tire size,front	Øx w (mm)	Ø230×70		
3.3	Tire size,rear	Øx w (mm)	Ø84×84		
3.4	Additional wheels(dimensions)	Øx w (mm)	Ø100×40		
3.5	Wheels,number front/rear(x=driven wheels)		1x+2/4		
3.6	Tread, front	b10 (mm)	510		
3.7	Tread, rear	b11 (mm)	367/512		
Basic Dimensions					
4.4	Lift	h3 (mm)	120		
4.9	Height of tiller in drive position min./ max.	h14 (mm)	800/1335		
4.15	Height, lowered	h13 (mm)	85		
4.19	Overall length	l1 (mm)	1670	1735	1950
4.20	Length to face of forks	l2 (mm)	520	595	810
4.21	Overall width	b1 (mm)	729		
4.22	Fork dimensions	s/e/l (mm)	60/173/1150		
4.25	Width across forks	b5 (mm)	540/685		
4.32	Ground clearance, centre of wheelbase	m2 (mm)	25		
4.33	Aisle width for pallets1000X1200 crossways	Ast (mm)	1885	1955	2175
4.34	Aisle width for pallets800X1200 lengthways	Ast (mm)	1935	2005	2225
4.35	Turning radius	Wa (mm)	1440	1490	1750
Performance Data					
5.1	Travel speed, laden/ unladen	km/h	5.7/6.0	5.7/6.0	5.5/6.0
5.2	Lift speed, laden/ unladen	m/s	0.025/0.035	0.022/0.030	0.035/0.045
5.3	Lowering speed, laden/ unladen	m/s	0.035/0.030	0.035/0.035	0.040/0.040
5.8	Max. gradeability, laden/ unladen	%	8/15		
5.10	Service brake		Electromagnetic		
E-Motor					
6.1	Drive motor rating S2 60min	kW	1.3	1.3	1.7
6.2	Lift motor rating at S3 10%	kW	0.8	0.8	2.2
6.3	Battery acc. to DIN 43531/ 35/ 36 A, B, C, no		2VBS	2PZS	3PZS
6.4	Battery voltage, nominal capacity K5	V / Ah	160	210	350
6.5	Battery weight	kg	150	215	285
6.6	Energy consumption acc. to VDI cycle	kWh/h	0.44	0.39	0.92
Other Details					
8.1	Type of drive control		AC speed Control		
8.4	Sound level at driver's ear acc. to EN 12053	dB(A)	67	69	65

1) Load section lowered:+62mm;