

# The EDGE Smart Design

## Pallet Stackers



EDGE Stacker  
- EU Standard (Fork-over)

**PSE12B/N**



EDGE Stacker - Initial Lift

**PSE12BD/ND**



EDGE Stacker - Straddle Leg

**PSE12BSL/NSL**



EDGE Stacker-Mono-Mast

**PSE12BM/NM**



EDGE Stacker-Mono-Mast

**PSE12BMD/PSE12NMD**



EDGE Stacker-Mono-Mast

**PSE12BMSL/PSE12NMSL**

### PSE12B/BD/BSL/BM/BMD/BMSL

● 1.2T Capacity **AGM**

- Perfect for light-duty applications.
- Compact & light service weight
- High maneuverability
- Maintenance-free Lead-acid Battery
- Integrated on-board 12A charger
- Ideal for use on mezzanines

### PSE12N/ND/NSL/NM/NMD/NMSL

● 1.2T Capacity **Li-ion**

- Perfect for light-duty applications.
- Compact & light service weight
- High maneuverability
- Fast-charging Li-ion batteries.
- Integrated on-board 25A charger
- Ideal for use on mezzanines
- Ultimate solution for light duty operations

# Smart and Ergonomic Tillers

**Standard For PSE12B and PSE12N**



**BACK**                      **FRONT**

- Turtle Speed Button
- Smart Pin Code Access
- Battery discharge indicator
- Operating hour counter
- On-board diagnostics via error codes
- Emergency-reverse & Horn Buttons
- Dual butterfly-style thumb driving controls
- Electric lifting and lowering

**RFID Card Access is optional for PSE12B and standard for PSE12N**

RFID card provides faster access to equipment and ideal for applications when one truck needs to be used by different operators

\*PSE12BSL/NSL, PSE12BM/NM and PSE12B/N have the same tiller as standard, PSE12N, PSE12ND, PSE12NS, PSE12NM have the RFID card as standard.

**RFID card Access**



# Vertical Driving in Confined Space



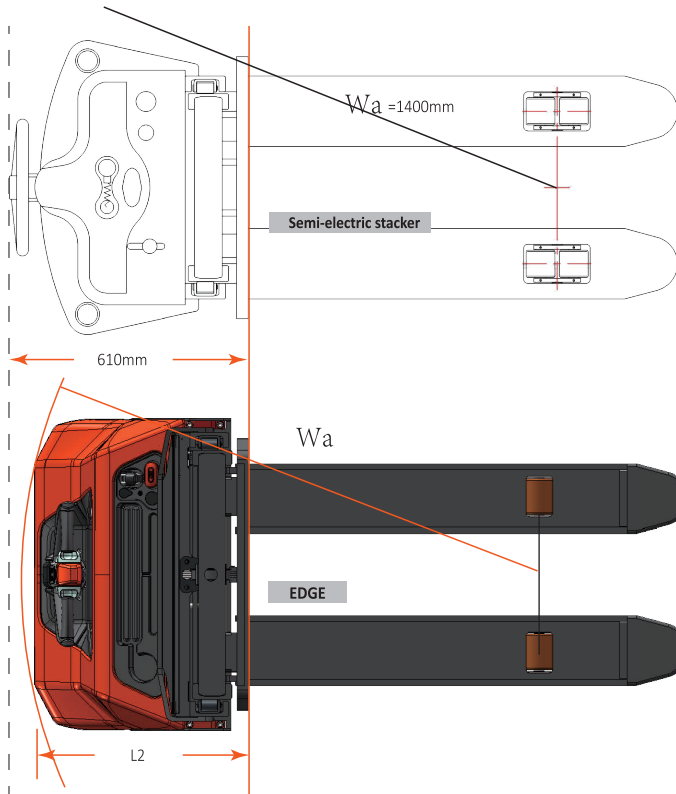
The function of driving with tiller in the **vertical position** helps with work in confined area without sacrificing of safety.



The tiller bar is supported by the air spring which helps to return the tiller to its vertical position without strike in the end point.

For increase of operation comfort and safety the trucks are equipped with speed reduction function in turns.

# Smart Design with Compact Size and Perfect observation



Model	length(L2)	Turning Radius
PSE12B/N	560mm	1300mm
PSE12BD/ND	602mm	1395/1312mm
PSE12BSL/NSL	640mm	1345mm
PSE12BM/NM	560mm	1350mm

Our engineers put a lot of efforts to achieve compactness of the trucks in comparison with traditionally used manual and semi-electric products without sacrificing of stability, robustness, safety and operation comfort.

## Robustness



### Steel cover

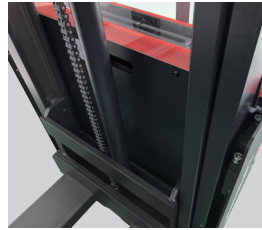
The main cover is made out of steel with thickness 2.0mm.



Tiller is made out of PA6 30% of glass fiber material, having high strength.

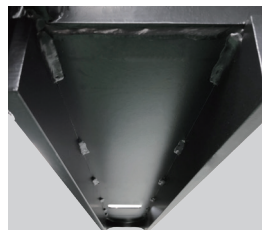
## Gradeability Performance

Model	PSE12B/N/BD/ND/BM/NM	PSE12BSL/NSL
Max.grade ability laden	5%	4%
Max.grade ability unladen	10%	10%



Capacity of 1200kg with high residual value at maximum height (load center distance 600 mm)

Real mast profiles are used for long life-time, no cheap bended solutions used. All directed to maintain performance of the truck during its life-cycle.



Welded forks are used to ensure robustness.



Wide mast provides perfect observation of forks, the field of view is clear and not interrupted by mast sections, cylinder or chains.

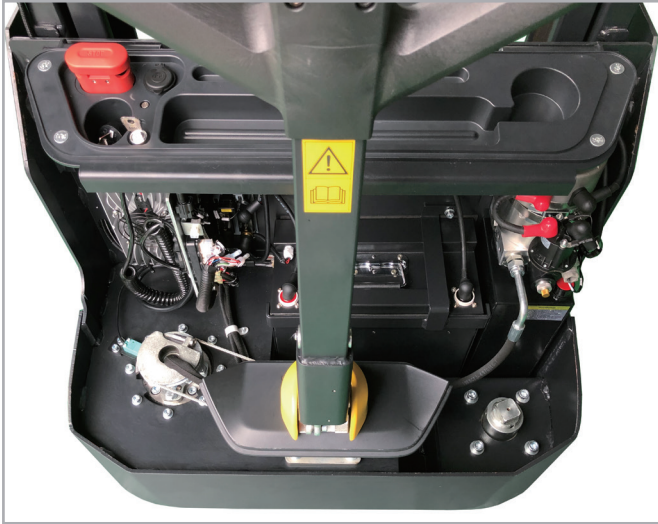


The operator can always clearly see the forks which significantly increases safety of operation.



# Maintenance Friendly

**Convenient** and fast access to any component of the truck, no elements are located in areas difficult to reach. No Special tools are required.



## CAN-bus Battery Management System

The BMS of battery controls charging and discharging parameters, working temperature, short circuits, has sleeping mode and is able to turn off the power in case of emergency. Communication with BMS and software adjustment is possible via CAN.

Capacity			
	Ready	Min Volt	Max Volt
	24.50V	0mV	0mV
	0.00A	Avg Volt	Communication
		0.0mV	Normal

Realtime			
Rated Capacity	60.0	Ah	Wh(Current) 0.0
Discharge Cycle	...	Times	Discharge Cycle ...
Times			Wh <input type="button" value="Reset"/>

Other		
Name	Value	Units
Cell Temp1	25.3	°C
Cell Temp1	25.1	°C
SOC	45	1/255
Power Temp	27.1	°C
Envir Temp	32.2	°C
Cell Volt Alarm	none	
Total Volt Alarm	none	
Current Alarm	none	
Temp Alarm	none	
Balance Alarm	none	

Volt		
Name	Value	Units
Cell	3507	mV
Total	24.5	V
Current	0.0	A
Run(Wh)	0	Wh

The software diagnostic tool for lithium batteries can provide full information about battery's condition and its current status. (The above values are for reference only.)



The electric system is using CAN communication protocol increasing reliability of the system.

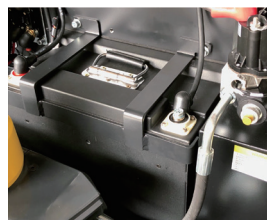


### PSE12B/BK/BSL/BM

2x12 85Ah (5Hr) AGM maintenance free batteries are used. Optionally available 2x12 106Ah (5Hr).



For PSE12B the charger with current 12A is used. The standard charging time is 7 hours.



### PSE12N/ND/NSL/NM

24V 60Ah Lithium LiFePO4 battery with BMS. Lithium battery has connection terminals with screws and located inside the steel case.



For PSE12N the charger with current 25A is used. The standard charging time is 2.5 hours. Opportunity charging is supported.

The **PSE12N/ND/NSL/NM** stacker is equipped with maintenance-free 24V/60Ah LiFePO4 type Li-ion battery with fast charging and ultra-high number of charging /discharging cycles during life time; opportunity charging feature basically does not limit your operation time. The integrated BMS provides the same features as the BMS for the batteries of pallet trucks(refer to pallet truck section) . The on-board charger with 25A current can provide full charge for less than 2.5 hours with great efficiency.

The **PSE12B/BK/BSL/BM** stacker is equipped with 2x12V 85Ah VRLA-AGM maintenance free batteries. Optionally available 2x12V 105Ah batteries for longer operation. The stacker is equipped with 12A on-board charger. The charging time is 7-8 hours, opportunity charging is not available.







## Type sheet for industrial truck acc. to VDI 2198

### Identification

			PS E12B	PS E12N
1.2	Manufacturer's type designation			3600
1.3	Drive			Battery
1.4	Operator type			Pedestrian
1.5	Load Capacity / rated load	Q (t)		1.2
1.6	Load centre distance	c (mm)		600
1.8	Load distance ,centre of drive axle to fork	x (mm)		710
1.9	Wheelbase	y (mm)		1097

### Weights

2.1	Service weight	kg	650	620
2.2	Axle loading, laden front/rear	kg	530 / 1320	520 / 1300
2.3	Axle loading, unladen front/rear	kg	450 / 200	440 / 180

### Wheels, Chassis

3.1	Tires			Polyurethane
3.2	Tire size,front	Øx w (mm)		Ø210×75
3.3	Tire size,rear	Øx w (mm)		Ø84×93
3.4	Additional wheels(dimensions)	Øx w (mm)		Ø100×50
3.5	Wheels,number front/rear(x=driven wheels)			1x + 1 / 2
3.6	Tread, front	b10 (mm)		550
3.7	Tread, rear	b11 (mm)		400 / 515

### Basic Dimensions

4.2	Lowered mast height	h1(mm)		2280
4.3	Free Lift height	h2(mm)		-
4.4	Lift	h3(mm)		3514
4.5	Extended mast height	h4(mm)		4037
4.9	Height of tiller in drive position min./ max.	h14 (mm)		710 /1150
4.15	Height, lowered	h13 (mm)		90
4.19	Overall length	l1 (mm)		1710
4.20	Length to face of forks	l2 (mm)		560
4.21	Overall width	b1 (mm)		800
4.22	Fork dimensions	s/e/l (mm)		60 / 180 / 1150
4.25	Width across forks	b5 (mm)		570 /685
4.32	Ground clearance, centre of wheelbase	m2 (mm)		24
4.33	Aisle width for pallets1000X1200 crossways	Ast (mm)		2167
4.34	Aisle width for pallets800X1200 lengthways	Ast (mm)		2133
4.35	Turning radius	Wa (mm)		1300

### Performance Data

5.1	Travel speed, laden/ unladen	km/h		4.2/ 4.5
5.2	Lift speed, laden/ unladen	m/s		0.11/ 0.14
5.3	Lowering speed, laden/ unladen	m/s		0.13 / 0.11
5.8	Max. gradeability, laden/ unladen	%		5 / 10
5.10	Service brake			Electromagnetic

### E-Motor

6.1	Drive motor rating S2 60min	kW		0.65
6.2	Lift motor rating at S3 10%	kW		2.2
6.3	Battery acc. to DIN 43531/ 35/ 36 A, B, C, no			No
6.4	Battery voltage, nominal capacity K5	V / Ah	2x12/85 <sup>1)</sup>	24/60
6.5	Battery weight	kg	2x27 <sup>2)</sup>	17
6.6	Energy consumption acc. to VDI cycle	kWh/h		0.6

### Other Details

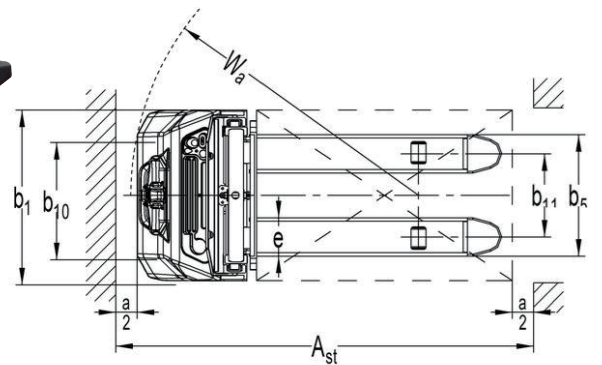
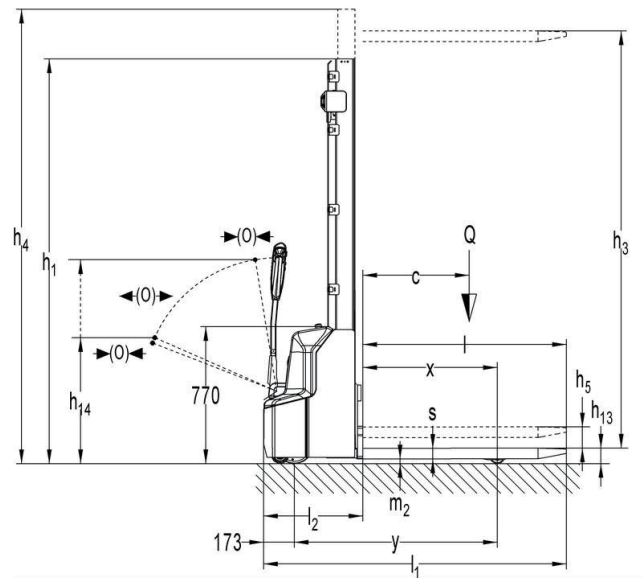
8.1	Type of drive control			DC
8.4	Sound level at driver's ear acc. to EN 12053	dB(A)		<70

1) Option: 2x12V/106Ah      2) 2x12V/106Ah : 2 x 34kg

# PSE12BD/ND EDGE Stacker - Initial Lift

## Mast table PSE 12BD/PSE 12ND

Designation	Lowered mast height h1 (mm)	Free lift height h2 (mm)	Lift height h3 (mm)	Extended mast height h4 (mm)	Lift+fork height h3+h13 (mm)
Single-stage mast	1970	1514	1514	1970	1600
	2370	1914	1914	2370	2000
Two-stage mas	1820	-	2514	3070	2600
	1970	-	2814	3377	2900
	2120	-	3114	3637	3200
	2320	-	3514	4077	3600





## Type sheet for industrial truck acc. to VDI 2198

Identification			
		PS E12BD	PS E12ND
1.2	Manufacturer's type designation		3600
1.3	Drive		Battery
1.4	Operator type		Pedestrian
1.5	Load Capacity / rated load	Q (t)	1.2 <sup>3)</sup>
	Mast lifting capacity	Q (t)	1.2
	Pallet lifting capacity	Q (t)	1.2
1.6	Load centre distance	c (mm)	600
1.8	Load distance ,centre of drive axle to fork	x (mm)	763/680 <sup>4)</sup>
1.9	Wheelbase	y (mm)	1192/1109 <sup>4)</sup>
Weights			
2.1	Service weight	kg	740
2.2	Axle loading, laden front/rear	kg	680 / 1260
2.3	Axle loading, unladen front/rear	kg	510 / 230
2.3			490/ 220
Wheels, Chassis			
3.1	Tires		Electromagnetic
3.2	Tire size,front	Øx w (mm)	Ø210×75
3.3	Tire size,rear	Øx w (mm)	Ø84×93
3.4	Additional wheels(dimensions)	Øx w (mm)	Ø100×50
3.5	Wheels,number front/rear(x=driven wheels)		1x + 1 / 2
3.6	Tread, front	b10 (mm)	550
3.7	Tread, rear	b11 (mm)	400 / 515
Basic Dimensions			
4.2	Lowered mast height	h1(mm)	2320
4.3	Free Lift height	h2(mm)	-
4.4	Lift	h3(mm)	3514
4.5	Extended maximal height	h4(mm)	4077
4.6	Initial lift	h5(mm)	120
4.9	Height of tiller in drive position min./ max.	h14 (mm)	710/1150
4.15	Height, lowered	h13 (mm)	90
4.19	Overall length	l1 (mm)	1752
4.20	Length to face of forks	l2 (mm)	602
4.21	Overall width	b1 (mm)	800
4.22	Fork dimensions	s/e/l (mm)	60 /180/1150
4.25	Width across forks	b5 (mm)	570/685
4.32	Ground clearance, centre of wheelbase	m2 (mm)	16
4.33	Aisle width for pallets1000X1200 crossways	Ast (mm)	2241/2192 <sup>4)</sup>
4.34	Aisle width for pallets800X1200 lengthways	Ast (mm)	2188/2169 <sup>4)</sup>
4.35	Turning radius	Wa (mm)	1395/1312 <sup>4)</sup>
Performance Data			
5.1	Travel speed, laden/ unladen	km/h	4.2/ 4.5
5.2	Lift speed, laden/ unladen	m/s	0.11 / 0.14
5.3	Lowering speed, laden/ unladen	m/s	0.13 / 0.11
5.8	Max. gradeability, laden/ unladen	%	5 / 10
5.10	Service brake		Electromagnetic
E-Motor			
6.1	Drive motor rating S2 60min	kW	0.65
6.2	Lift motor rating at S3 10%	kW	2.2
6.3	Battery acc. to DIN 43531/ 35/ 36 A, B, C, no		No
6.4	Battery voltage, nominal capacity K5	V / Ah	2x12/85 <sup>1)</sup>
6.5	Battery weight	kg	2x27 <sup>2)</sup>
6.6	Energy consumption acc. to VDI cycle	kWh/h	0.66
6.6			24 / 60
6.6			17
Other Details			
8.1	Type of drive control		DC
8.4	Sound level at driver's ear acc. to EN 12053	dB(A)	<70

1) Option: 2x12V/106Ah(AGM)。

2) 2x12V/106Ah: 2x34kg

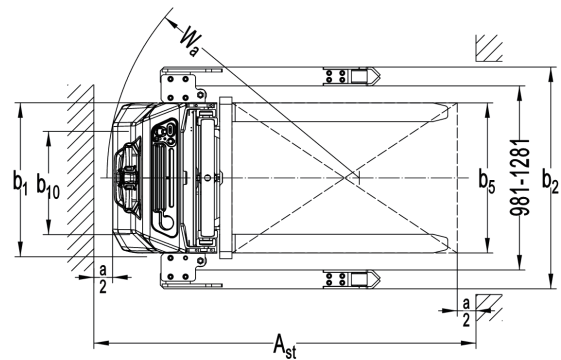
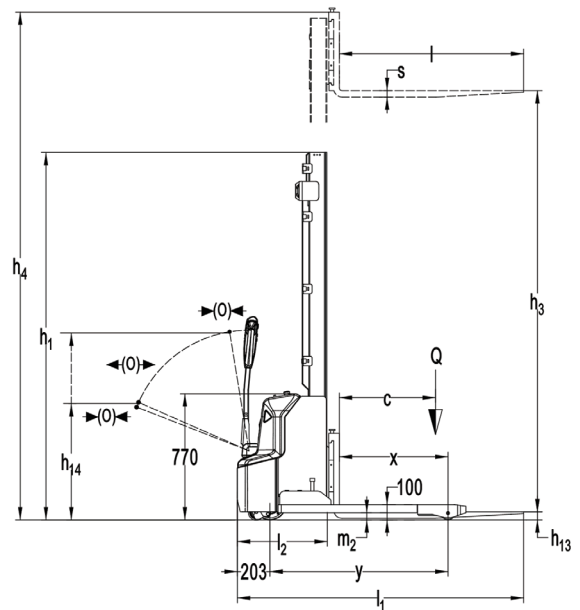
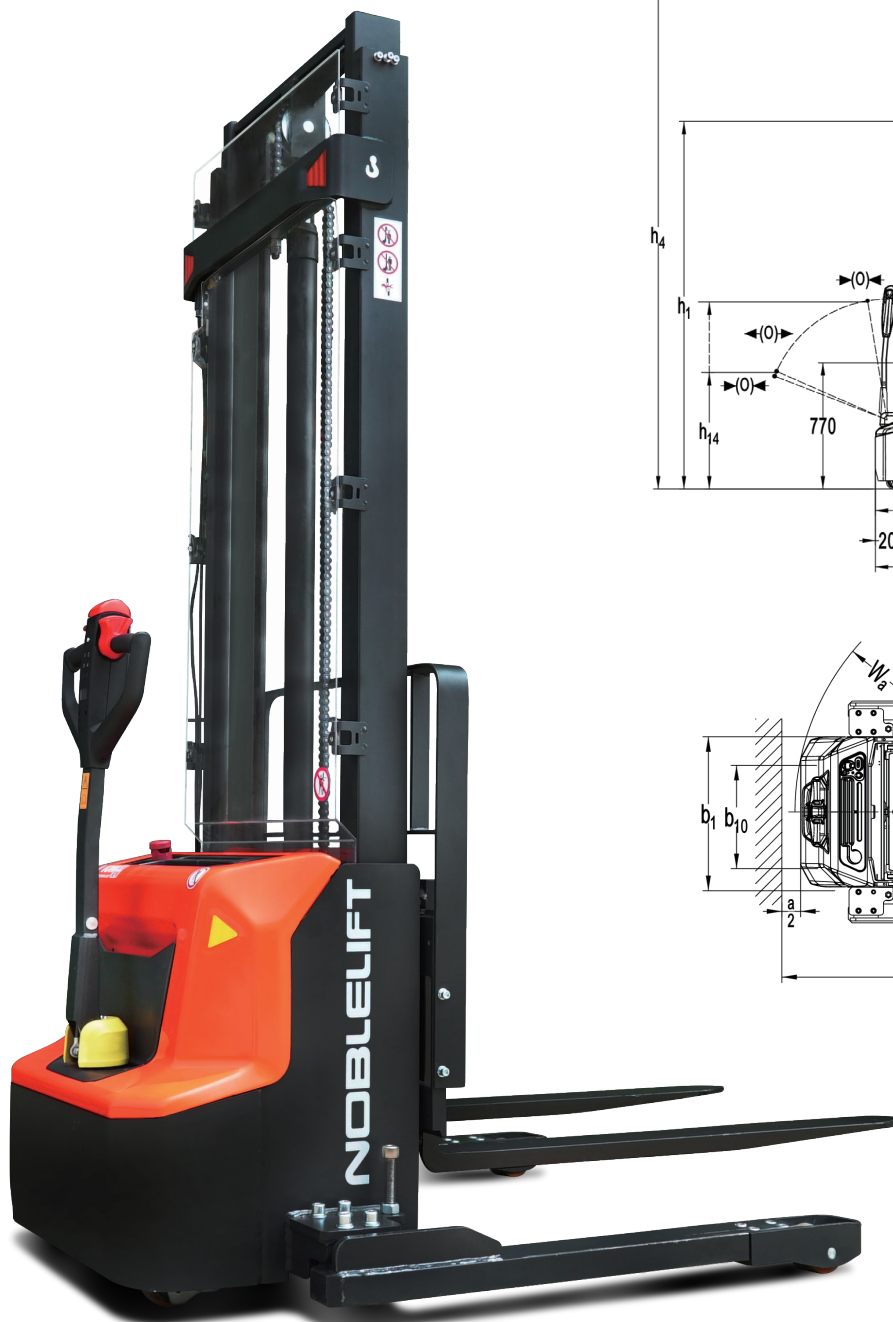
3)When we operate the two layers: Mast lifting capacity< Pallet lifting capacity

4) No initial lift/Initial lift

# PSE12BSL/NSL EDGE Stacker - Straddle Legs

## Mast table PSE 12BSL/SLPSE 12NSL

Designation	Lowered mast height h1 (mm)	Free lift height h2 (mm)	Lift height h3 (mm)	Extended mast height h4 (mm)	Lift+fork height h3+h13 (mm)
Single-stage mast	1940	1514	1514	2064	1564
	2340	1914	1914	2464	1964
	1790	-	2514	3064	2564
Two-stage mas	1940	-	2814	3364	2864
	2090	-	3114	3664	3164
	2290	-	3514	4064	3564



## Type sheet for industrial truck acc. to VDI 2198

Identification				
1.2	Manufacturer's type designation		PSE12BSL	PSE12NSL
1.3	Drive		3600	Battery
1.4	Operator type			Pedestrian
1.5	Load Capacity / rated load	Q (t)	1.2	
1.6	Load centre distance	c (mm)	600	
1.8	Load distance ,centre of drive axle to fork	x (mm)	674	
1.9	Wheelbase	y (mm)	1111	
Weights				
2.1	Service weight	kg	860	825
2.2	Axle loading, laden front/rear	kg	760 / 1300	745 / 1280
2.3	Axle loading, unladen front/rear	kg	650 / 210	625/ 200
Wheels, Chassis				
3.1	Tires			Polyurethane
3.2	Tire size,front	Øx w (mm)	Ø210×75	
3.3	Tire size,rear	Øx w (mm)	Ø84×93	
3.4	Additional wheels(dimensions)	Øx w (mm)	Ø100×40	
3.5	Wheels,number front/rear(x=driven wheels)		1x + 2 / 2	
3.6	Tread, front	b10 (mm)	520	
Basic Dimensions				
4.2	Lowered mast height	h1(mm)	2290	
4.3	Free Lift height	h2(mm)	-	
4.4	Lift	h3(mm)	3514	
4.5	Extended maximal height	h4(mm)	4064	
4.9	Height of tiller in drive position min./ max.	h14 (mm)	710 /1150	
4.15	Height, lowered	h13 (mm)	50	
4.19	Overall length	l1 (mm)	1790	
4.20	Length to face of forks	l2 (mm)	640	
4.21	Overall width	b1 (mm)	800/(1181/1231/1281/1381/1481)	
4.22	Fork dimensions	s/e/l (mm)	40 / 100 / 1150	
4.25	Width across forks	b5 (mm)	252-800	
4.32	Ground clearance, centre of wheelbase	m2 (mm)	40	
4.33	Aisle width for pallets1000X1200 crossways	Ast (mm)	2228	
4.34	Aisle width for pallets800X1200 lengthways	Ast (mm)	2206	
4.35	Turning radius	Wa (mm)	1345	
Performance Data				
5.1	Travel speed, laden/ unladen	km/h	4.2/ 4.5	
5.2	Lift speed, laden/ unladen	m/s	0.11 / 0.14	
5.3	Lowering speed, laden/ unladen	m/s	0.13 / 0.11	
5.8	Max. gradeability, laden/ unladen	%	4 / 10	
5.10	Service brake			Electromagnetic
E-Motor				
6.1	Drive motor rating S2 60min	kW	0.65	
6.2	Lift motor rating at S3 10%	kW	2.2	
6.3	Battery acc. to DIN 43531/ 35/ 36 A, B, C, no		No	
6.4	Battery voltage, nominal capacity K5	V / Ah	2x12/85 <sup>1)</sup>	24 / 60
6.5	Battery weight	kg	2x27 <sup>2)</sup>	17
6.6	Energy consumption acc. to VDI cycle	kWh/h	0.6	
Other Details				
8.1	Type of drive control			DC
8.4	Sound level at driver's ear acc. to EN 12053	dB(A)		<70

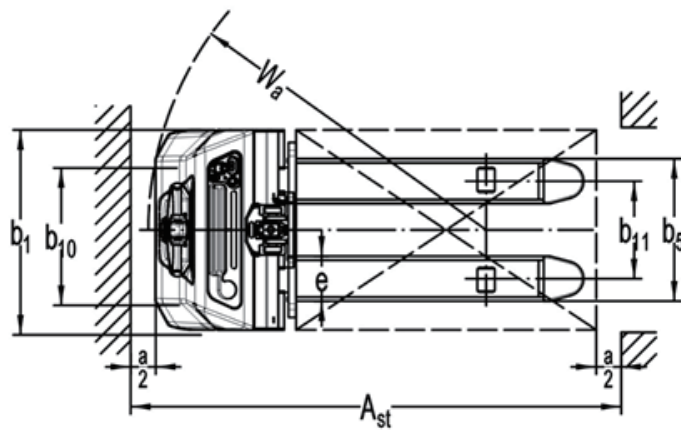
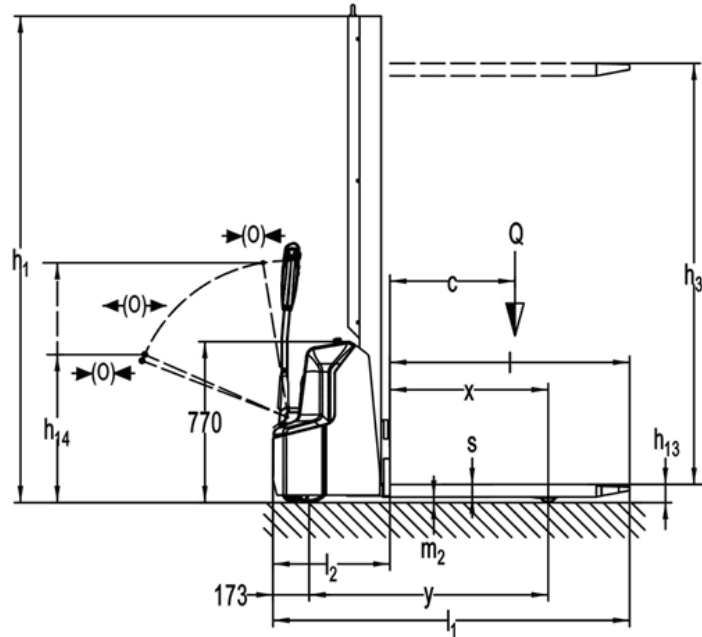
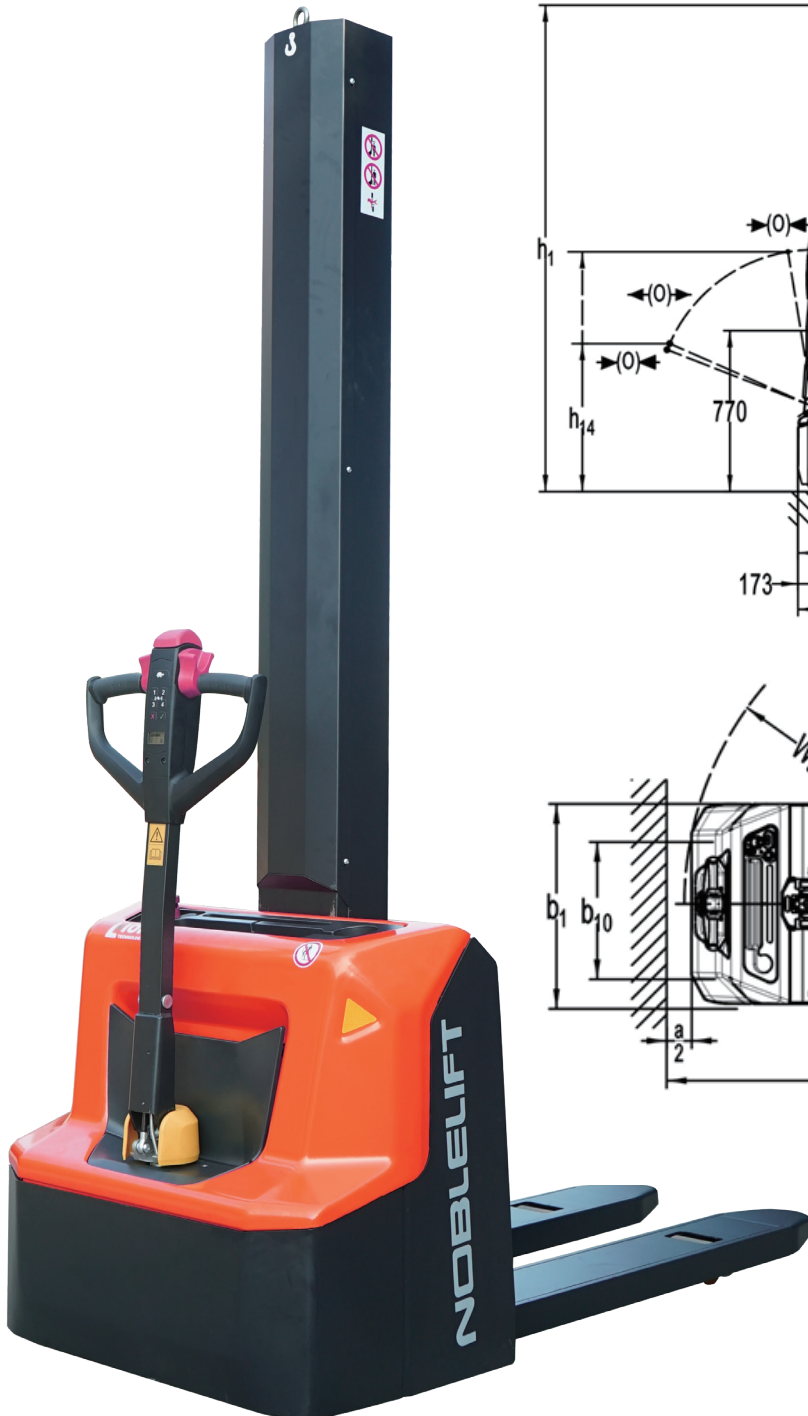
1) Option: 2x12V/106Ah. 2) 2x12V/106Ah: 2x34kg.



# PSE12BM/NM EDGE Stacker-Mono-Mast

## Mast table PSE 12BM/PSE 12NM

Designation	Lowered mast height h1 (mm)	Free lift height h2 (mm)	Lift height h3 (mm)	Extended mast height h4 (mm)	Lift+fork height h3+h13 (mm)
one stage mast	1210	714	714	1210	800
	1930	1514	1514	1930	1600
	2330	1914	1914	2330	2000



## Type sheet for industrial truck acc. to VDI 2198

### Identification

1.2	Manufacturer's type designation		PSE12BM	PSE12NM
1.3	Drive		2000	Battery
1.4	Operator type		Pedestrian	
1.5	Load Capacity / rated load	Q (t)	1.2	
1.6	Load centre distance	c (mm)	600	
1.8	Load distance ,centre of drive axle to fork	x (mm)	760	
1.9	Wheelbase	y (mm)	1147	

### Weights

2.1	Service weight	kg	530	500
2.2	Axle loading, laden front/rear	kg	500 / 1230	490 / 1210
2.3	Axle loading, unladen front/rear	kg	375 / 155	355/ 145

### Wheels, Chassis

3.1	Tires		Polyurethane
3.2	Tire size, front	Øx w (mm)	Ø210×75
3.3	Tire size, rear	Øx w (mm)	Ø84×93
3.4	Additional wheels(dimensions)	Øx w (mm)	Ø100×50
3.5	Wheels,number front/rear(x=driven wheels)		1x + 1 / 2
3.6	Tread, front	b10 (mm)	550
3.7	Tread, rear	b11 (mm)	400

### Basic Dimensions

4.2	Lowered mast height	h1(mm)	2330 <sup>1)</sup>
4.3	Free Lift height	h2(mm)	1914
4.4	Lift	h3(mm)	1914
4.9	Height of tiller in drive position min./ max.	h14 (mm)	710 /1150
4.15	Height, lowered	h13 (mm)	90
4.19	Overall length	l1 (mm)	1710
4.20	Length to face of forks	l2 (mm)	560
4.21	Overall width	b1 (mm)	800
4.22	Fork dimensions	s/e/l (mm)	60 / 180 / 1150
4.25	Width across forks	b5 (mm)	570
4.32	Ground clearance, centre of wheelbase	m2 (mm)	24
4.33	Aisle width for pallets1000X1200 crossways	Ast (mm)	2197
4.34	Aisle width for pallets800X1200 lengthways	Ast (mm)	2145
4.35	Turning radius	Wa (mm)	1350

### Performance Data

5.1	Travel speed, laden/ unladen	km/h	4.2/ 4.5
5.2	Lift speed, laden/ unladen	m/s	0.11 / 0.14
5.3	Lowering speed, laden/ unladen	m/s	0.13 / 0.11
5.8	Max. gradeability, laden/ unladen	%	5 / 10
5.10	Service brake		Electromagnetic

### E-Motor

6.1	Drive motor rating S2 60min	kW	0.65	
6.2	Lift motor rating at S3 10%	kW	2.2	
6.3	Battery acc. to DIN 43531/ 35/ 36 A, B, C, no		No	
6.4	Battery voltage, nominal capacity K5	V / Ah	2x12/85 <sup>2)</sup>	24 / 60
6.5	Battery weight	kg	2x27 <sup>3)</sup>	17
6.6	Energy consumption acc. to VDI cycle	kWh/h	0.6	

### Other Details

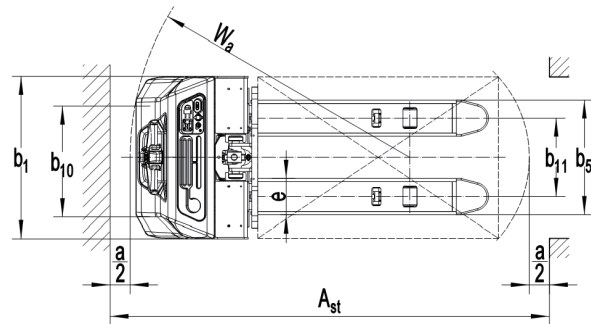
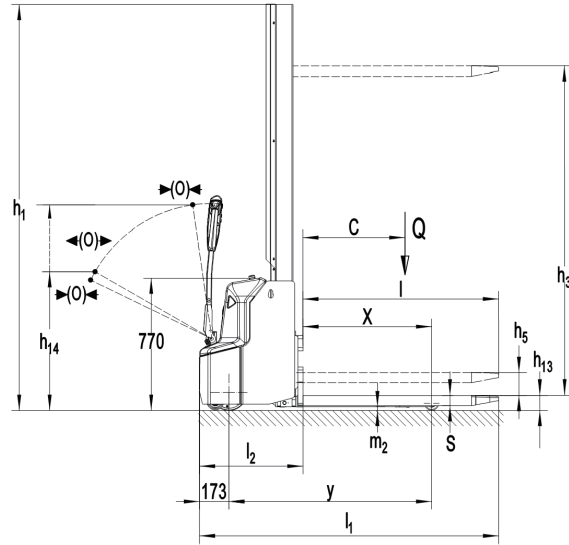
8.1	Type of drive control		DC
8.4	Sound level at driver's ear acc. to EN 12053	dB(A)	<70

1) Including the ring screw: +55mm. 2) Option: 2x12V/106Ah. 3) 2x12V/106Ah: 2x34kg.

# PSE12BMD/PSE12NMD EDGE Stacker-Mono-Mast

## Mast table PSE12BMD/PSE12NMD

Designation	Lowered mast height h1 (mm)	Free lift height h2 (mm)	Lift height h3 (mm)	Lift+fork height h3+h13 (mm)
	1240	712	712	800
one stage mast	1970	1512	1512	1600
	2370	1912	1912	2000





## Type sheet for industrial truck acc. to VDI 2198

### Identification

			PSE12BMD	PSE12NMD
1.2	Manufacturer's type designation			2000
1.3	Drive			Battery
1.4	Operator type			Pedestrian
1.5	Load Capacity / rated load			1.2 <sup>1)</sup>
	Load Capacity / rated load (mast lift)	Q (t)		1.2
	Load Capacity / rated load (support arm lift)			1.2
1.6	Load centre distance	c (mm)		600
1.8	Load distance ,centre of drive axle to fork	x (mm)		756/673 <sup>2)</sup>
1.9	Wheelbase	y (mm)		1192/1109 <sup>2)</sup>

### Weights

2.1	Service weight	kg	645	
2.2	Axle loading, laden front/rear	kg	575/1230	610
2.3	Axle loading, unladen front/rear	kg	455/1220	560/1210

### Wheels - Chassis

3.1	Tires			Polyurethane
3.2	Tire size, front	Øx w (mm)		Ø210×75
3.3	Tire size, rear	Øx w (mm)		Ø84×93
3.4	Additional wheels(dimensions)	Øx w (mm)		Ø100×50
3.5	Wheels,number front/rear(x=driven wheels)			1x + 1 / 2
3.6	Tread, front	b10 (mm)		550
3.7	Tread, rear	b11 (mm)		390

### Basic Dimensions

4.2	Lowered mast height	h1(mm)		2375
4.3	Free Lift height	h2(mm)		1912
4.4	Lift	h3(mm)		1912
4.6	Extended mast height	h5 (mm)		120
4.9	Height of tiller in drive position min./ max.	h14 (mm)		710 / 1150
4.15	Height, lowered	h13 (mm)		88
4.19	Overall length	l1 (mm)		1760
4.20	Length to face of forks	l2 (mm)		608
4.21	Overall width	b1 (mm)		800
4.22	Fork dimensions	s/e/l (mm)		60 / 180 / 1150
4.25	Width across forks	b5 (mm)		570
4.32	Ground clearance, centre of wheelbase	m2 (mm)		22
4.33	Aisle width for pallets1000X1200 crossways	Ast (mm)		2245 / 2195 <sup>2)</sup>
4.34	Aisle width for pallets800X1200 lengthways	Ast (mm)		2192 / 2175 <sup>2)</sup>
4.35	Turning radius	Wa (mm)		1393 / 1330 <sup>2)</sup>

### Performance Data

5.1	Travel speed, laden/ unladen	km/h		4.2/ 4.5
5.2	Lift speed, laden/ unladen	m/s		0.11 / 0.14
5.3	Lowering speed, laden/ unladen	m/s		0.13 / 0.11
5.8	Max. gradeability, laden/ unladen	%		5 / 10
5.10	Service brake			Electromagnetic

### E-Motor

6.1	Drive motor rating S2 60min	kW		0.65
6.2	Lift motor rating at S3 10%	kW		2.2
6.3	Battery acc. to DIN 43531/ 35/ 36 A, B, C, no			No
6.4	Battery voltage, nominal capacity K5	V / Ah	2x12/85 <sup>3)</sup>	
6.5	Battery weight	kg	2x27 <sup>4)</sup>	24 / 60
6.6	Energy consumption acc. to VDI cycle	kWh/h		0.66 / 17

### Other Details

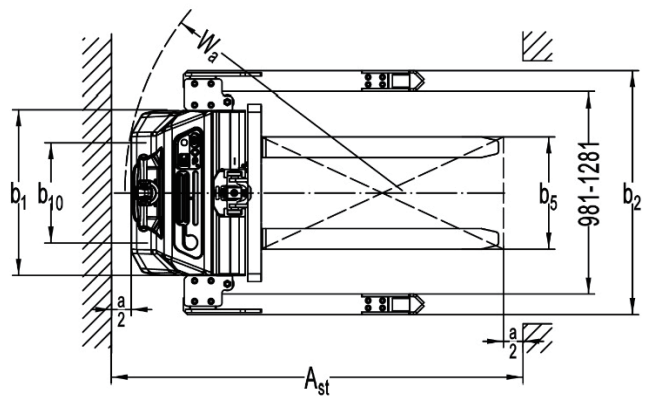
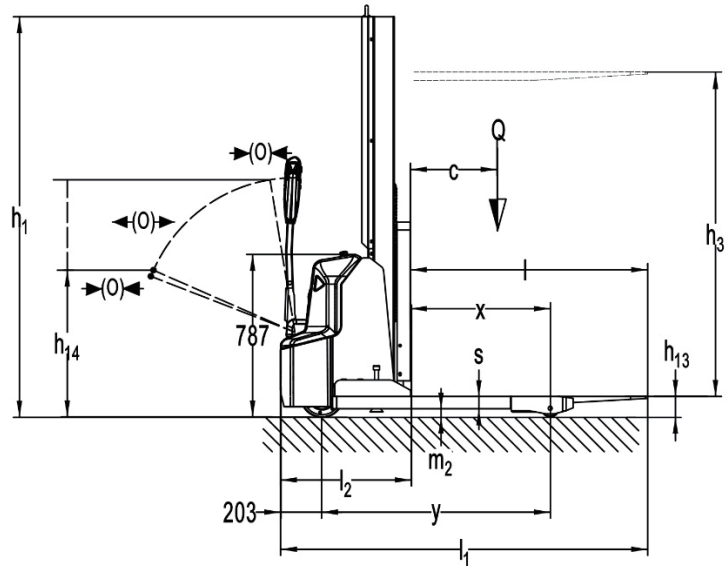
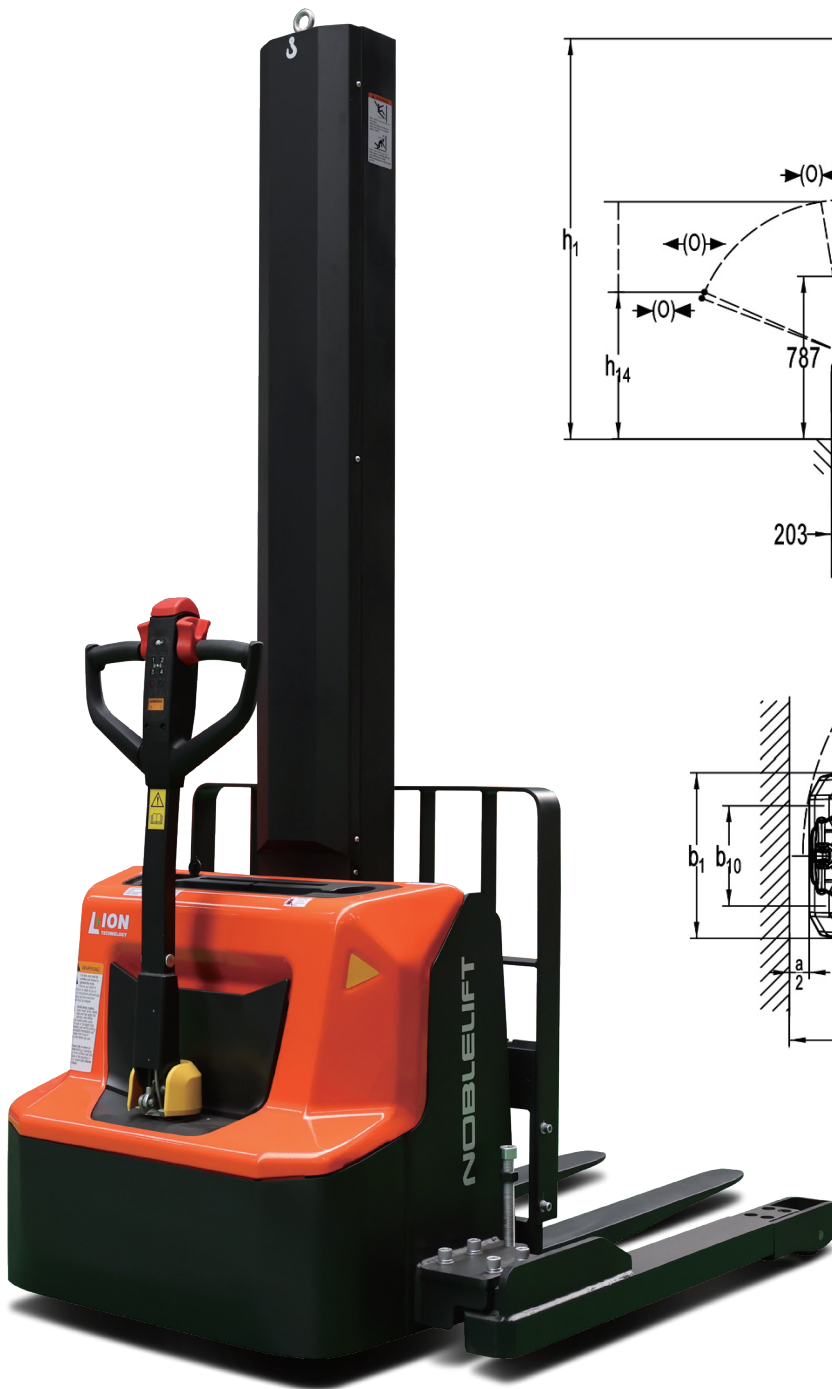
8.1	Type of drive control			DC
8.4	Sound level at driver's ear acc. to EN 12053	dB(A)		<70

1) When operate the fork and pallet at the same time: Load Capacity / rated load (mast lift) < Load Capacity / rated load (support arm lift)  
 2) Load section lowered / Load section raised 3) Option: 2x12V/106Ah 4) 2x12V/106Ah : 2 x 34kg

# PSE12BMSL/PSE12NMSL EDGE Stacker-Mono-Mast

## Mast table PSE12BMSL/PSE12NMSL

Designation	Lowered mast height h1 (mm)	Free lift height h2 (mm)	Lift height h3 (mm)	Extended mast height h4 (mm)	Lift+fork height h3+h13 (mm)
one stage mast	1220 <sup>0</sup>	680	740	1280	790
	1940 <sup>0</sup>	1400	1540	2080	1590
	2340 <sup>0</sup>	1800	1940	2480	1990



## Type sheet for industrial truck acc. to VDI 2198

### Identification

1.2	Manufacturer's type designation		PSE12BMSL	PSE12NMSL
1.3	Drive		2000	Battery
1.4	Operator type		Pedestrian	
1.5	Load Capacity / rated load	Q (t)	1.2	
1.6	Load centre distance	c (mm)	600	
1.8	Load distance ,centre of drive axle to fork	x (mm)	674	
1.9	Wheelbase	y (mm)	1111	

### Weights

2.1	Service weight	kg	755	720
2.2	Axle loading, laden front/rear	kg	575/1380	560/1360
2.3	Axle loading, unladen front/rear	kg	515/240	490/230

### Wheels, Chassis

3.1	Tires		Polyurethane	
3.2	Tire size, front	Øx w (mm)	Ø210×75	
3.3	Tire size, rear	Øx w (mm)	Ø84×93	
3.4	Additional wheels(dimensions)	Øx w (mm)	Ø100×40	
3.5	Wheels,number front/rear(x=driven wheels)		1x + 2 / 2	
3.6	Tread, front	b10 (mm)	520	

### Basic Dimensions

4.2	Lowered mast height	h1(mm)	2340 <sup>1)</sup>	
4.3	Free Lift height	h2(mm)	1800	
4.4	Lift	h3(mm)	1940	
4.5	Extended mast height	h4 (mm)	2480	
4.9	Height of tiller in drive position min./ max.	h14 (mm)	727 / 1167	
4.15	Height, lowered	h13 (mm)	60	
4.19	Overall length	l1 (mm)	1790	
4.20	Length to face of forks	l2 (mm)	640	
4.21	Overall width	b1 / b2 (mm)	800 / (1181 / 1231 / 1281 / 1381 / 1481)	
4.22	Fork dimensions	s/e/l (mm)	40 / 100 / 1150	
4.25	Width across forks	b5 (mm)	252-800	
4.32	Ground clearance, centre of wheelbase	m2 (mm)	40	
4.33	Aisle width for pallets1000X1200 crossways	Ast (mm)	2228	
4.34	Aisle width for pallets800X1200 lengthways	Ast (mm)	2206	
4.35	Turning radius	Wa (mm)	1345	

### Performance Data

5.1	Travel speed, laden/ unladen	km/h	4.2/ 4.5	
5.2	Lift speed, laden/ unladen	m/s	0.11 / 0.14	
5.3	Lowering speed, laden/ unladen	m/s	0.13 / 0.11	
5.8	Max. gradeability, laden/ unladen	%	4 / 10	
5.10	Service brake		Electromagnetic	

### E-Motor

6.1	Drive motor rating S2 60min	kW	0.65	
6.2	Lift motor rating at S3 10%	kW	2.2	
6.3	Battery acc. to DIN 43531/ 35/ 36 A, B, C, no		No	
6.4	Battery voltage, nominal capacity K5	V / Ah	2x12/85 <sup>2)</sup>	24 / 60
6.5	Battery weight	kg	2x27 <sup>3)</sup>	17
6.6	Energy consumption acc. to VDI cycle	kWh/h	0.66	

### Other Details

8.1	Type of drive control		DC	
8.4	Sound level at driver's ear acc. to EN 12053	dB(A)	<70	

1) Stacker with eye-bolt: +57mm 2) Option: 2x12V/106Ah 3) 2x12V/106Ah : 2 x 34kg