

RT16/20P-CS

Cold Storage Reach Truck with Cab



Features:

- Drive motor (low-temperature)
- Pump motor (low-temperature)
- Display (low-temperature)
- Waterproof harness
- Waterproof control box
- High traction wheel
- Waterproof electromagnetic brake
- Heated seats
- Heated glass
- Heater



Small
Turning Radius



Capacity
1600/2000Kg



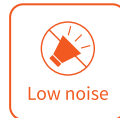
Easy
Maintenance



Powerful
Battery



Robust
Design



Low noise



Reach Trucks

E8

1

2

3

5

6

NOBLELIFT

NOBLELIFT



智能原材料库

NOBL

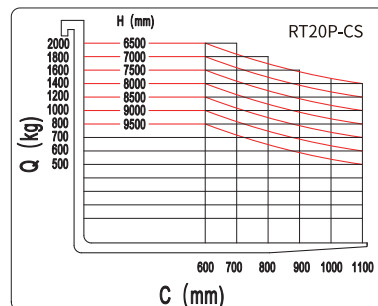
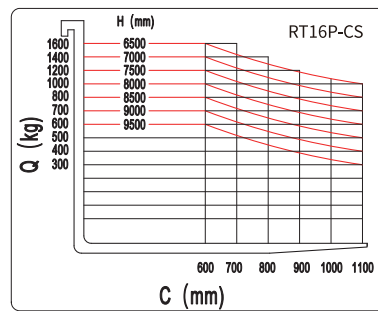
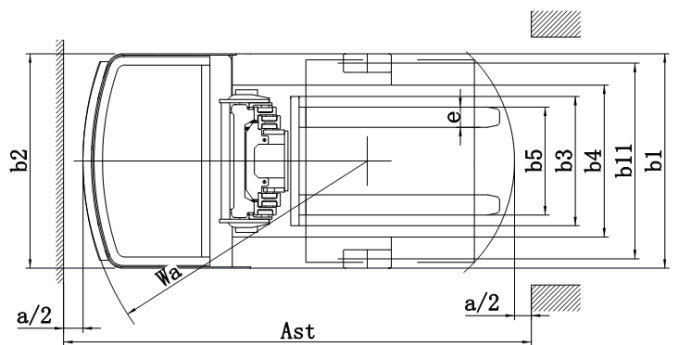
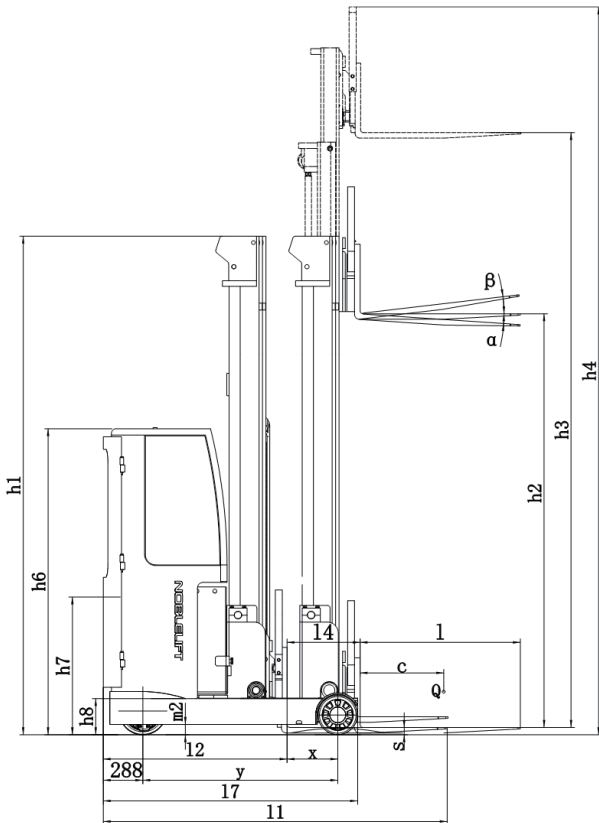
NOBLELIFT

NOBLELIFT

NOBLELIFT

Type sheet for industrial truck acc. to VDI 2198

Model	Lift height h3 (mm)	Free lift h2 (mm)	Mast height h1 (mm)	Tilt of fork α/β (°)
16M450	4500	1563	2235	4°/-2°
16M500	5000	1730	2400	4°/-2°
16M550	5500	1897	2568	4°/-2°
16M600	6000	2063	2735	4°/-2°
16M650	6500	2230	2900	4°/-2°
16M700	7000	2397	3068	4°/-2°
16M750	7500	2563	3234	4°/-2°
16M800	8000	2730	3400	4°/-2°
16M850	8500	2897	3567	4°/-2°
16M900	9000	3063	3734	4°/-2°
16M950	9500	3230	3900	4°/-2°
20M450	4500	1563	2235	4°/-2°
20M500	5000	1730	2400	4°/-2°
20M550	5500	1897	2568	4°/-2°
20M600	6000	2063	2735	4°/-2°
20M650	6500	2230	2900	4°/-2°
20M700	7000	2397	3068	4°/-2°
20M750	7500	2563	3234	4°/-2°
20M800	8000	2730	3400	4°/-2°
20M850	8500	2897	3567	4°/-2°
20M900	9000	3063	3734	4°/-2°
20M950	9500	3230	3900	4°/-2°



Type sheet for industrial truck acc. to VDI 2198

1KG=2.2LB 1INCH=25.4MM

Identification

		NOBLELIFT	
1.1	Manufacturer		
1.2	Model	RT16P-CS	RT20P-CS
1.3	Drive	Electric	Electric
1.4	Operator type	Seated	Seated
1.5	Load capacity / rated load	Q (kg) 1600	2000
1.6	Load centre	c (mm) 600	600
1.8	Load distance, centre of support arm wheel to face of forks	x (mm) 365/176	395/200
1.9	Wheelbase	y (mm) 1400	1500

Weights

2.1	Service weight including battery	kg 3960	4220
2.3	Axle load, mast retracted without load, drive/support arm wheel	kg 2420/1540	2560/1660
2.4	Axle load, mast extended with load, drive/support arm wheel	kg 830/4760	746/5474
2.5	Axle load, mast retracted with load, drive/support arm wheel	kg 2100/3460	2270/3950

Wheels

3.1	Drive/support arm wheel		PU	PU
3.2	Wheel size, front	Øxw (mm)	Ø343x140	Ø343x140
3.3	Wheel size, rear	Øxw (mm)	Ø285x110	Ø330x110
3.5	Wheels, number front/rear (x=driven wheels)		1x/2	1x/2
3.7	Track width, rear	b11 (mm)	1160	1160

Dimensions

4.1	Tilt of fork, forward/backward	α/β (°)	4°/-2°	4°/-2°
4.2	Height, mast extended	h1 (mm)	3900	3900
4.3	Free lift	h2 (mm)	3290	3290
4.4	Lift height	h3 (mm)	9500	9500
4.5	Extended mast height	h4 (mm)	10410	10410
4.7	Height of overhead guard (cab)	h6 (mm)	2200	2200
4.8	Seat height	h7 (mm)	960	960
4.10	Height of support arms	h8 (mm)	270	270
4.15	Height of lowered forks	h13 (mm)	40	40
4.19	Overall length	l1 (mm)	2462	2538
4.20	Length to face of forks	l2 (mm)	1323	1388
4.21	Overall width	b1 (mm)	1270	1270
4.22	Fork dimensions	s/e/l (mm)	35/100/1150	40/120/1150
4.23	Fork carriage ISO 2328, class/type A, B		2/A	2/A
4.25	Width across forks	b5 (mm)	200-740/200-818	240-740/240-818
4.26	Distance between support arms	b4 (mm)	900	900
4.28	Reach distance	l4 (mm)	525	595
4.31	Ground clearance, with load, below mast	m1 (mm)	90	90
4.32	Ground clearance, centre of wheelbase	m2 (mm)	75	75
4.33	Aisle width for pallets 1000 x 1200 crossways	Ast(mm)	2770	2890
4.34	Aisle width for pallets 800 x 1200 lengthways	Ast(mm)	2830	2950
4.35	Turning radius	Wa (mm)	1700	1800
4.37	Length across support arms	l7 (mm)	1830	1950

Performance data

5.1	Travel speed, with/without load	km/h	10.5/10.5	10.5/10.5
5.2	Lift speed, with/without load	m/s	0.35/0.5	0.35/0.5
5.3	Lowering speed, with/without load	m/s	0.45/0.45	0.45/0.45
5.4	Reach speed, with/without load	m/s	0.1/0.1	0.1/0.1
5.8	Max. gradeability, with/without load	%	10/15	10/15
5.10	Service brake		Hydraulic/electric	Hydraulic/electric

Electric motor

6.1	Drive motor rating S2 60 min	kW	6.4/7	6.4/7
6.2	Lift motor rating S3 15%	kW	12.5	12.5
6.4	Battery voltage, nominal capacity K5	V/Ah	48/420,560	48/560
6.5	Battery weight	kg	750	950

Other

8.1	Type of drive control		AC	AC
-----	-----------------------	--	----	----