

RT15DP Double Reach

RT15/20SP Single Reach

Stand-on Scissor Reach Truck

Superior Efficiency

- ▶ Effortless 360° in situ steering in confined space is available thanks to small turning radius.
- ▶ Compact chassis allows easy access to narrow aisle applications.
- ▶ Small and short load wheels facilitate access to multiple mast height configurations between racks, making it easy to use in warehouses and racks of different sizes.
- ▶ Versatile battery capacities for various travel distances and running times.
- ▶ Optional driving modes for versatile scenarios.
- ▶ Enhanced efficiency with swift lifting and travelling.

Safety and Reliability

- ▶ Automatic deceleration when cornering prevents accidents.
- ▶ Adaptive safety load-sensing system adjusts lifting height based on load capacity.
- ▶ Dual foot pedals for high efficiency and safety.
- ▶ Automatic fork leveling function, safe and efficient.
- ▶ Fully proportional hydraulic control for precision and durability.
- ▶ The cab's full wraparound design ensures driver safety.

Quick and Easy Maintenance

- ▶ The integrated battery is conveniently located in the middle of the chassis, facilitating easy removal, inspection, or replacement.
- ▶ The chassis door is easily accessible for viewing internal issues, inspections, and replacements.
- ▶ All components are methodically arranged, ensuring effortless part identification during service checks.



High-performance Scissor Structure

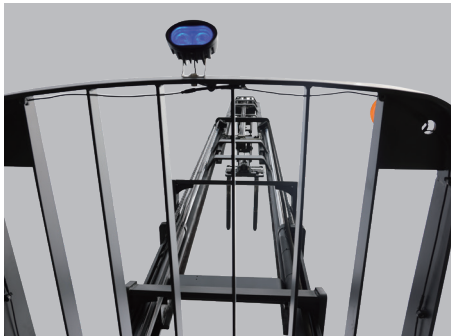
- ▶ The scissor structure is highly robust and stable, enabling a smooth reaching of the forks while minimizing vibrations and rocking.
- ▶ The conversion between movements is seamlessly achieved through the equilibrium of shear force, delivering substantial torque. When raised to a height of 10.5 meters, it can effortlessly lift loads of up to 1.2 tons.
- ▶ The scissor mechanism seamlessly adjusts and neatly folds, significantly minimizing the truck's footprint and maximizing space utilization.

Ergonomic Design

- ▶ Enhanced mast structure design and optimized cylinder and chain arrangement for a better view.
- ▶ Spacious standing platform accommodating various personnel.
- ▶ Convenient standing platform height for easy boarding.
- ▶ Comfortable waist and elbow support to alleviate driver fatigue.
- ▶ Integrated shock absorption on the standing platform for a smoother ride.
- ▶ Newly improved roof guard for an expanded upward view.
- ▶ Ergonomically designed multifunctional integrated handle.
- ▶ Versatile functions including warning lights, illumination, and blue lights.

Excellent Stability

- ▶ One-touch leveling function ensures stable loading and unloading of goods from the shelves.
- ▶ The end-of-scissor retraction includes cushioning for reduced impact and improved stability.



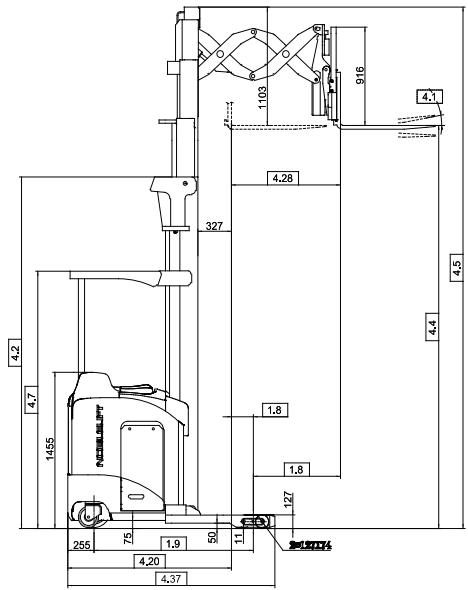
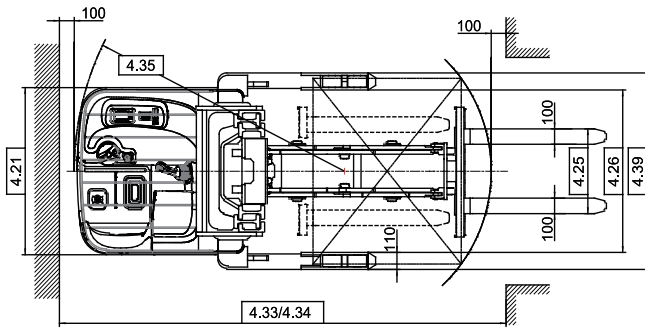
Lifting height up to **10500 mm**



Type sheet for industrial truck acc. to VDI 2198

1KG=2.2LB 1INCH=25.4MM

Identification						
1.1	Manufacturer			NOBLELIFT		
1.2	Model			RT15DP	RT15SP	RT20SP
1.3	Power			electric	electric	electric
1.4	Operator type			stand	stand	stand
1.5	Load capacity		Q(kg)	1500	1500	2000
1.6	Load centre		c(mm)	600	600	600
1.8	Load distance		x(mm)	see table 2	see table 6	see table 10
1.9	Wheelbase		y(mm)	see table 2	see table 6	see table 10
Weight						
2.1	weight	less battery	kg	see table 4	see table 8	see table 12
Tyres						
3.2	Tyres	power unit side, drive	mm	Ø343×140	Ø343×140	Ø343×140
3.3	Tyres	load side, standard wheel	mm	Ø127×74	Ø127×74	Ø127×104
3.4	Castor Wheel	size	mm	Ø205×101	Ø205×101	Ø205×101
3.5	Wheels, (x=driven wheels)	number power unit side/load side		1x,4/1	1x,4/1	1x,4/1
3.6	Track width	power unit side	b10(mm)	800	800	800
Dimensions						
4.1	Tilt: Fork carriage	forward/backward	angle(deg)	3/4	3/4	3/4
4.2	mast	collapsed height	h1(mm)	see table1	see table 5	see table 9
4.3	Free lift		h2(mm)	see table1	see table 5	see table 9
4.4	Lift height		h3(mm)	see table1	see table 5	see table 9
4.5	Extended mast height		h4(mm)	see table1	see table 5	see table 9
4.7	Overhead Guard Height	overhead guard (cabin)	h6(mm)	see table1	see table 5	see table 9
4.10	Outrigger Height	std. wheel / Ø 102 / Ø 127 / Ø 152	h8(mm)	125	125	125
4.20	Headlength		l2(mm)	see table2	see table6	see table 10
4.21	Width Overall	power unit side	b1(mm)	1080	1080	1080
4.22	Fork Dimensions	standard / optional lengths	TxWxL(mm)	40x100x1070	40x100x1070	40x120x1070
4.23	Fork Carriage	DIN 15173 class/form A, B		2A	2A	2A
4.24	Fork Carriage Width	incl. load backrest	b3(mm)	820	820	820
4.25	Width Across Forks	with sideshifter / w.o. sideshifter	b5(mm)	200-760	200-760	240-760
4.26	Inside Straddle	in 25 mm increments	b4(mm)	1050/1210	1050	1050/1210
4.28	Reach	with sideshifter / w.o. sideshifter	l4(mm)	1060	570	570
4.32	Ground Clearance	centre wheelbase	m2(mm)	50	50	50
4.33	Working Aisle Width	1000 x 1200 crosswise	Ast(mm)	see table2	see table 5	see table 10
4.34	Working Aisle Width	800 x 1200 lengthwise	ast(mm)	see table2	see table 5	see table 10
4.35	Turning Radius		Wa(mm)	see table2	see table 5	see table 10
4.37	Length over Outriggers		l7(mm)	see table2	see table 5	see table 10
4.39	Width outrigger		b2(mm)	see table2	see table2	see table2
Performance data						
5.1	Travel speed - standard		km/h	9/9.5	9/9.5	9/9.5
5.2	Lift Speed	w./w.o. load	m/s	0.35/0.5	0.35/0.5	0.35/0.5
5.3	Lower Speed	w./w.o. load	m/s	0.50/0.50	0.50/0.50	0.50/0.50
5.4	Reach Speed	w./w.o. load	m/s	0.15/0.15	0.15/0.15	0.15/0.15
5.8	Max. Gradeability	w. load	%	5	5	5
5.10	Brakes	Service		Electric	Electric	Electric
		parking		Electric	Electric	Electric
Motors						
6.1	Traction Motor	(60 min. rating)	kW	5.5	5.5	5.5
6.2	Lift Motors	(15% on time)	kW	11	11	11
6.3	Max. Battery Size	DIN 43531/35/36 A, B, C, no	lxwxh(mm)	see table 2	see table 5	see table 10
6.4	Lead-acid Battery Voltage	nominal capacity 5h	V/Ah	see table 2	see table 5	see table 10
6.5	Lithium Battery Voltage	nominal capacity 2h	V/Ah	see table 2	see table 5	see table 10
6.6	Battery weight	minimum	kg	see table3	see table 7	see table 11
Other Details						
8.1	Type of Controller			AC	AC	AC



RT15DP Double Reach

RT15DP Spec(table1)

	Type		DP4500	DP4920	DP6500	DP7500	DP8500	DP9500	DP10500	DP11000	DP11500
4.2	Mast	h1(mm)	2260	2415	2940	3274	3606	3940	4274	4720	4887
4.3	Free Lift	h2(mm)	1340	1495	2020	2354	2686	3020	3354	3800	3967
4.4	Lift Height	h3(mm)	4500	4920	6500	7500	8500	9500	10500	11000	11500
4.5	Mast Height	h4(mm)	5587	6007	7587	8587	9587	10587	11587	12087	12587
4.7	Height	h6(mm)	2260	2415	2415	2415	2415	2415	2415	2415	2415

RT15DP Spec (table2)

	Type		B	C	D	E
1.8	Load distance	x(mm)	213/847	213/847	213/847	213/847
1.9	Wheel Base	y(mm)	1550	1550	1600	1650
4.20	Headlength	l2(mm)	1590	1590	1640	1690
4.33	Working Aisle Width (1000 x 1200 traverse)	Ast(mm)	3015	3015	3065	3115
4.34	Working Aisle Width800 x 1200 length	Ast(kg)	3090	3090	3140	3190
4.35	Turning Radius	Wa(mm)	1825	1825	1875	1925
4.37	Length over Outriggers	L7(mm)	1985	1985	2035	2085
6.3	Max. Battery Size	lxwxh(mm)	360x980x785	410x980x785	457x980x785	500x980x785
6.4	Lead-acid Battery Voltage	V/Ah	36V/600AH	36V/700AH	36V/800AH	36V/900AH
6.5	Lithium Battery Voltage	V/Ah	36V/560AH	36V/560AH	36V/560AH	36V/560AH
6.6	Battery Weight	kg	780	900	1025	1140

RT15DP Battery Options (table3)

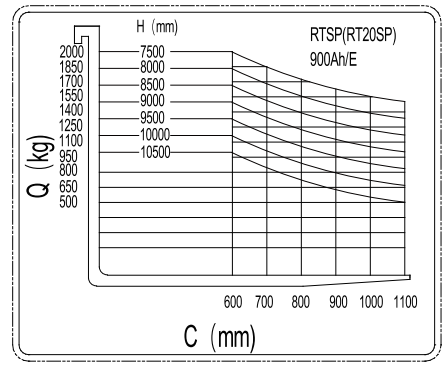
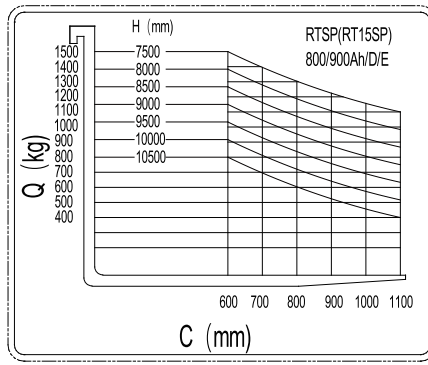
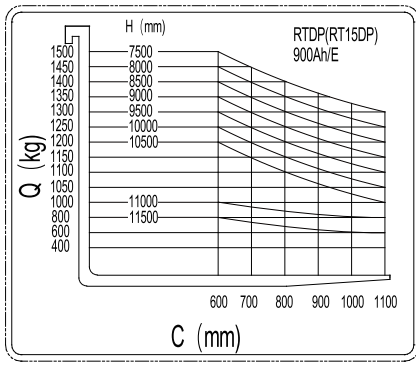
Mast Model		DP4500	DP4920	DP6500	DP7500	DP8500	DP9500	DP10500	DP11000	DP11500
Battery Pack Model	B	RT15DP4500B	RT15DP4920B	RT15DP6500B	n/a	n/a	n/a	n/a	n/a	n/a
	C	RT15DP4500C	RT15DP4920C	RT15DP6500C	RT15DP7500C	n/a	n/a	n/a	n/a	n/a
	D	RT15DP4500D	RT15DP4920D	RT15DP6500D	RT15DP7500D	RT15DP8500D	n/a	n/a	n/a	n/a
	E	RT15DP4500E	RT15DP4920E	RT15DP6500E	RT15DP7500E	RT15DP8500E	RT15DP9500E	RT15DP10500E	RT15DP11000E	RT15DP11500E

RT15DP Truck Weight (table4)

Mast Model		DP4500	DP4920	DP6500	DP7500	DP8500	DP9500	DP10500	DP11000	DP11500
2.1	Battery Pack Model	B	3994	4050	4240	n/a	n/a	n/a	n/a	n/a
		C	4114	4170	4360	4480	n/a	n/a	n/a	n/a
		D	4249	4305	4495	4615	4735	n/a	n/a	n/a
		E	4374	4430	4620	4740	4860	4980	5100	5300

RT15DP Spec (table2)

	Type		DP4500	DP4920	DP6500	DP7500	DP8500	DP9500	DP10500	DP11000	DP11500
4.39	Width outrigger	b2(mm)	1295	1295	1295	1295	1295	1295	1295	1455	1455



RT15SP Single Reach

RT15SP Spec(table5)

Type		15SP4500	15SP4920	15SP6500	15SP7500	15SP8500	15SP9500	15SP10500
4.2	Mast	h1(mm)	2260	2415	2940	3274	3606	4274
4.3	Free Lift	h2(mm)	1340	1495	2020	2354	2686	3354
4.4	Lift height	h3(mm)	4500	4920	6500	7500	8500	10500
4.5	Mast height	h4(mm)	5587	6007	7587	8587	9587	11587
4.7	Height	h6(mm)	2260	2415	2415	2415	2415	2415

RT15SP Spec (table6)

Type		B	C	D	E
1.8	Load Distance	x(mm)	305/265	305/265	305/265
1.9	Wheel Base	y(mm)	1550	1550	1600
4.20	Headlength	l2(mm)	1500	1500	1550
4.33	Working Aisle Width (1000 x 1200 traverse)	Ast(mm)	2945	2945	2995
4.34	Working Aisle Width 800 x 1200 length	Ast(kg)	3005	3005	3055
4.35	Turning Radius	Wa(mm)	1825	1825	1875
4.37	Length over Outriggers	L7(mm)	1985	1985	2035
6.3	Max. Battery Size	lxwxh(mm)	360x980x785	410x980x785	457x980x785
6.4	Lead-acid Battery Voltage	V/Ah	36V/600AH	36V/700AH	36V/800AH
6.5	Lithium Battery Voltage	V/Ah	36V/560AH	36V/560AH	36V/560AH
6.6	Battery Weight	kg	780	900	1025

RT15SP Battery Options (table7)

Mast Model		15SP4500	15SP4920	15SP6500	15SP7500	15SP8500	15SP9500	15SP10500
Battery Pack Model	B	RT15SP4500B	RT15SP4920B	RT15SP6500B	RT15SP7500B	RT15SP8500B	n/a	n/a
	C	RT15SP4500C	RT15SP4920C	RT15SP6500C	RT15SP7500C	RT15SP8500C	RT15SP9500C	n/a
	D	RT15SP4500D	RT15SP4920D	RT15SP6500D	RT15SP7500D	RT15SP8500D	RT15SP9500D	RT15SP10500D
	E	RT15SP4500E	RT15SP4920E	RT15SP6500E	RT15SP7500E	RT15SP8500E	RT15SP9500E	RT15SP10500E

RT15SP Truck Weight (table8)

Mast Model		15SP4500	15SP4920	15SP6500	15SP7500	15SP8500	15SP9500	15SP10500	
2.1	Battery Pack Model	B	3550	3590	3750	3850	3950	n/a	n/a
		C	3670	3710	3870	3970	4070	4180	n/a
		D	3800	3840	4000	4100	4200	4300	4400
		E	3920	3960	4120	4220	4320	4420	4520

RT15DP(Double Reach)

Fork reaching distance:1060mm

RT15/20SP(Single Reach)

Fork reaching distance:570mm



RT20SP Single Reach

RT20SP Spec(table9)

	Type		DP4500	DP4920	DP6500	DP7500	DP8500	DP9500	DP10500	DP11000	DP11500
4.2	Mast	h1(mm)	2260	2415	2940	3274	3606	3940	4274	4720	4887
4.3	Free Lift	h2(mm)	1340	1495	2020	2354	2686	3020	3354	3800	3967
4.4	Lift Height	h3(mm)	4500	4920	6500	7500	8500	9500	10500	11000	11500
4.5	Mast Height	h4(mm)	5587	6007	7587	8587	9587	10587	11587	12087	12587
4.7	Height	h6(mm)	2260	2415	2415	2415	2415	2415	2415	2415	2415

RT20SP Spec (table10)

	Type		B	C	D	E
1.8	Load Distance	x(mm)	305/265	305/265	305/265	305/265
1.9	Wheel Base	y(mm)	1550	1550	1600	1650
4.20	Headlength	l2(mm)	1500	1500	1550	1600
4.33	Working Aisle Width (1000 x 1200 traverse)	Ast(mm)	2945	2945	2995	3045
4.34	Working Aisle Width800 x 1200 length	Ast(kg)	3005	3005	3055	3105
4.35	Turning Radius	Wa(mm)	1825	1825	1875	1925
4.37	Length over Outriggers	L7(mm)	1985	1985	2035	2085
6.3	Max. Battery Size	lxwxh(mm)	360x980x785	410x980x785	457x980x785	500x980x785
6.4	Lead-acid Battery Voltage	V/Ah	36V/600AH	36V/700AH	36V/800AH	36V/900AH
6.5	Lithium Battery Voltage	V/Ah	36V/560AH	36V/560AH	36V/560AH	36V/560AH
6.5	Battery Weight	kg	780	900	1025	1140

RT20SP Battery Options (table11)

Mast Model		DP4500	DP4920	DP6500	DP7500	DP8500	DP9500	DP10500	DP11000	DP11500
Battery Pack Model	B	RT15DP4500B	RT15DP4920B	RT15DP6500B	n/a	n/a	n/a	n/a	n/a	n/a
	C	RT15DP4500C	RT15DP4920C	RT15DP6500C	RT15DP7500C	n/a	n/a	n/a	n/a	n/a
	D	RT15DP4500D	RT15DP4920D	RT15DP6500D	RT15DP7500D	RT15DP8500D	n/a	n/a	n/a	n/a
	E	RT15DP4500E	RT15DP4920E	RT15DP6500E	RT15DP7500E	RT15DP8500E	RT15DP9500E	RT15DP10500E	RT15DP11000E	RT15DP11500E

RT20SP Truck Weight (table12)

Mast Model		DP4500	DP4920	DP6500	DP7500	DP8500	DP9500	DP10500	DP11000	DP11500	
2.1	Battery Pack Model	B	3894	3950	4140	4260	n/a	n/a	n/a	n/a	n/a
		C	4014	4070	4260	4380	4500	n/a	n/a	n/a	n/a
		D	4149	4205	4395	4515	4635	n/a	n/a	n/a	n/a
		E	4274	4330	4520	4640	4760	4880	5000	5200	5260