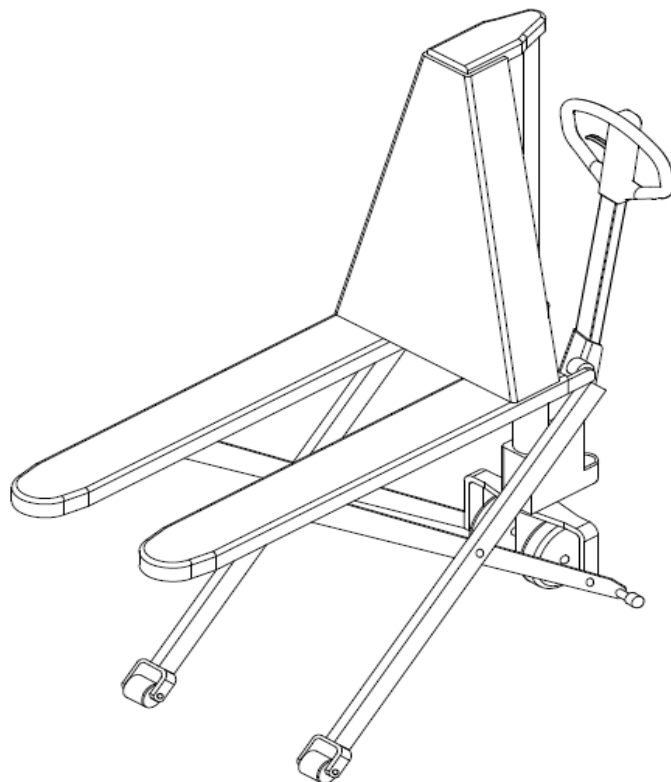


SPAREPARTS LIST

Manual Scissor Lift Pallet Truck/

Electrical Scissor Lift Pallet Truck with Electric Lifting



Version 06/2013
From Ident-nr.: 08130600001
(sticker under the ID-plate)
ACX-BPT-001

Catalogue

Fig. 1	Draw-Bar of ACX10M	3
Fig. 2	Draw-Bar of ACX10E	5
Fig. 3	Frame of ACX10M	7
Fig. 4	Frame of ACX10E	9
Fig. 5	Pump of ACX10M	11
Fig. 6	Pump of ACX10E (1900)	13
Fig. 7	External Charger of ACX10E	15

Fig. 1 Draw-Bar of ACX 10M

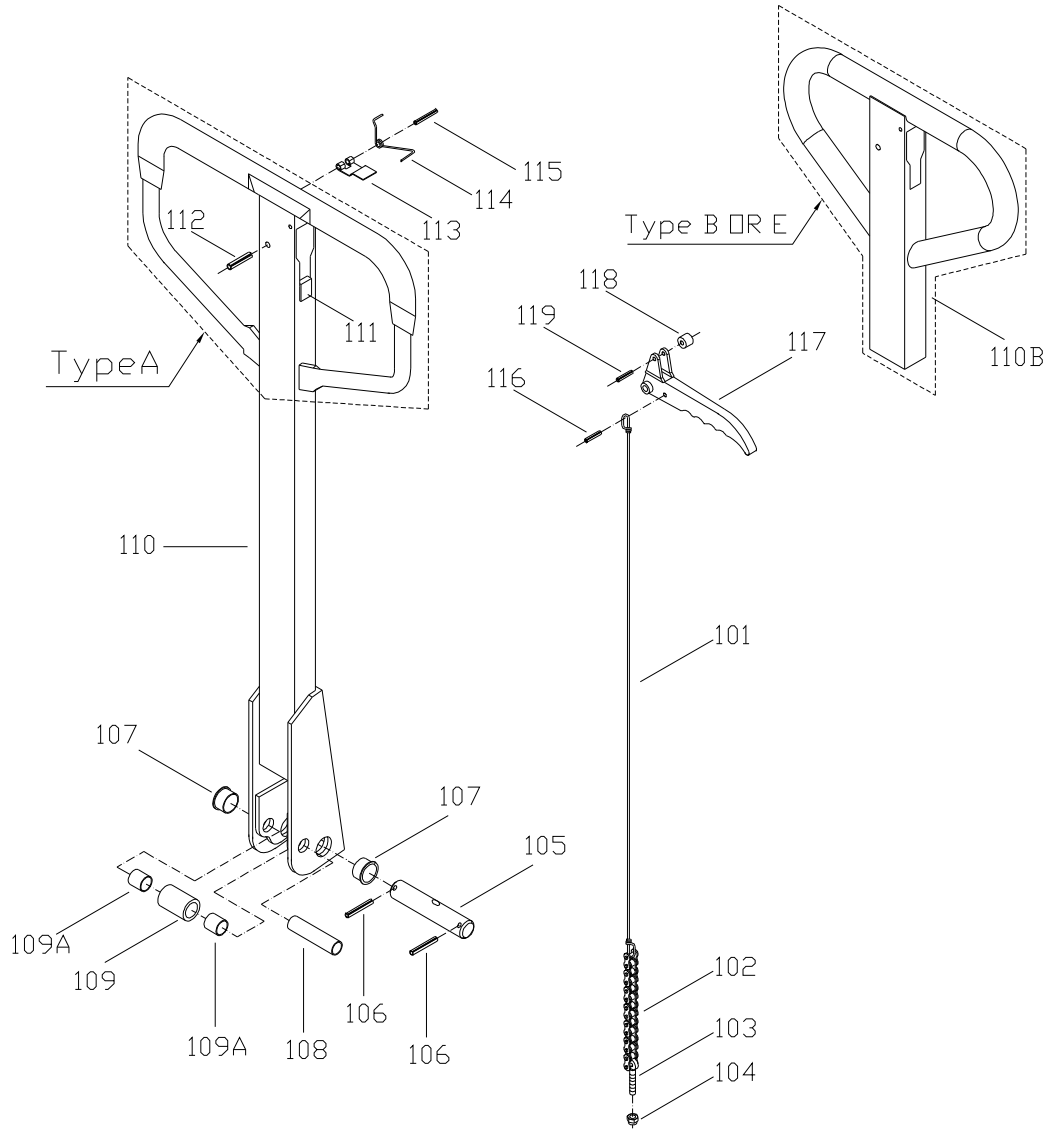


Fig.1 Draw-Bar of ACX 10M

No.	Description	Qty.	Remark
101	Release Rod	1	
102	Chain	1	
103	Adjusting Bolt	1	
104	Adjusting Nut	1	
105	Axle with Hole	1	
106	Elastic Pin	2	
107	Bushing	2	
108	Roller Pin	1	
109	Pressure Roller	1	
109A	Bushing	2	
110	Draw-bar	1	For Type A
110B	Draw-bar	1	For Type B Or Type E
111	Stop Rubber	1	
112	Elastic Pin	1	
113	Blade Spring	1	
114	Spring	1	
115	Elastic Pin	1	
116	Elastic Pin	1	
117	Control Handle	1	
118	Roller	1	
119	Elastic Pin	1	

Fig. 2 Draw-Bar of ACX 10E

No.	Description	Qty	No.	Description	Qty
101	Release Rod	1	117	Pin	1
102	Chain	1	118	Handle	1
103	Adjusting Bolt	1	119	Pin	1
104	Adjusting Nut	1	120	Controlling Handle	1
105	Axle with Hole	1	123	Rubber band	2
106	Elastic Pin	2	124	Screw	4
107	Bushing	2	1253X	Cover	1
108	Roller Pin	1	1263X	Switch	1
109	Pressure Roller	1	127	Socket of button	1
110	Bushing	1	128	Button	1
1113X	Draw - bar	1	129	Connector plug	1
112	Pin	4	131	Nylon Clips	1
113	Screw	4	1323X	Rubber Packing	1
1133X	Screw	4	1333X	Socket of switch	1
114	Cover	1	1343X	O - Ring	1
115	Ball	1	135	Screw	2
116	Spring	1	136	Gasket	1

Fig. 3 Frame of ACX 10M

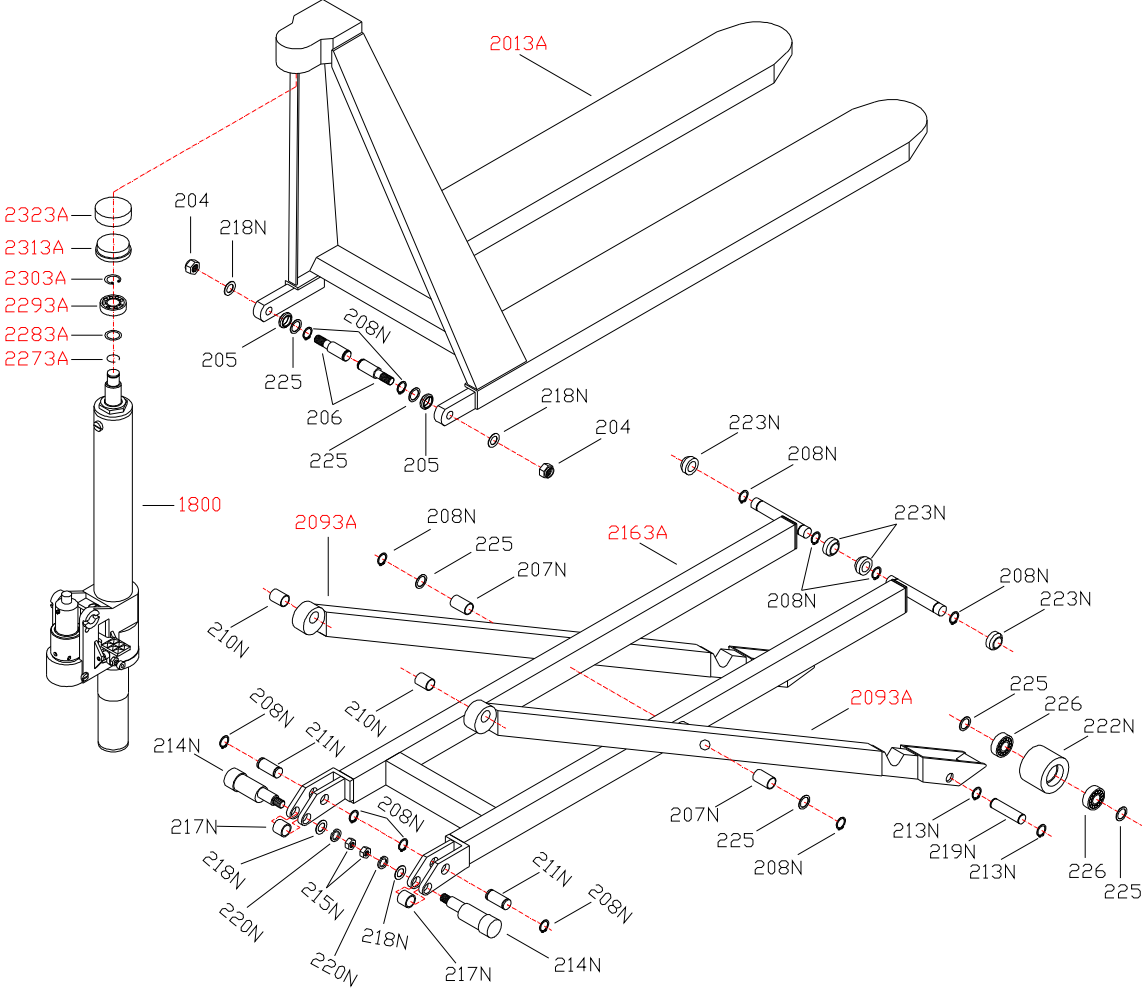


Fig. Frame of ACX 10M

No.	Description	Qty	Annotations
204	Nut	2	
205	Washer	2	
206	Pin	2	
225	Washer	6	
226	Bearing	4	
2013A	Fork Frame	1	
207N	Bushing	2	
208N	Elastic collar	12	
2093A	Lift Leg	2	
210N	Bushing	2	
211N	Pin	2	
213N	Locking Ring	4	
214N	Centrifugal Axle	2	
215N	Locking Nut	2	
2163A	Inner Leg	1	
217N	Bushing	2	
218N	Washer	4	
219N	Shaft of Roller	2	
220N	Elastic Washer	2	
222N	Roller	2	
223N	Steel Roller	4	
2273A	Steel cable baffle ring	1	
2283A	Washer	1	
2293A	Ball Bearing	1	
2303A	Circlip for Shaft	1	
2313A	Seat of Bearing	1	
2323A	Rubber cover	1	
1800	Pump nut		

Fig. 4 Frame of ACX 10E

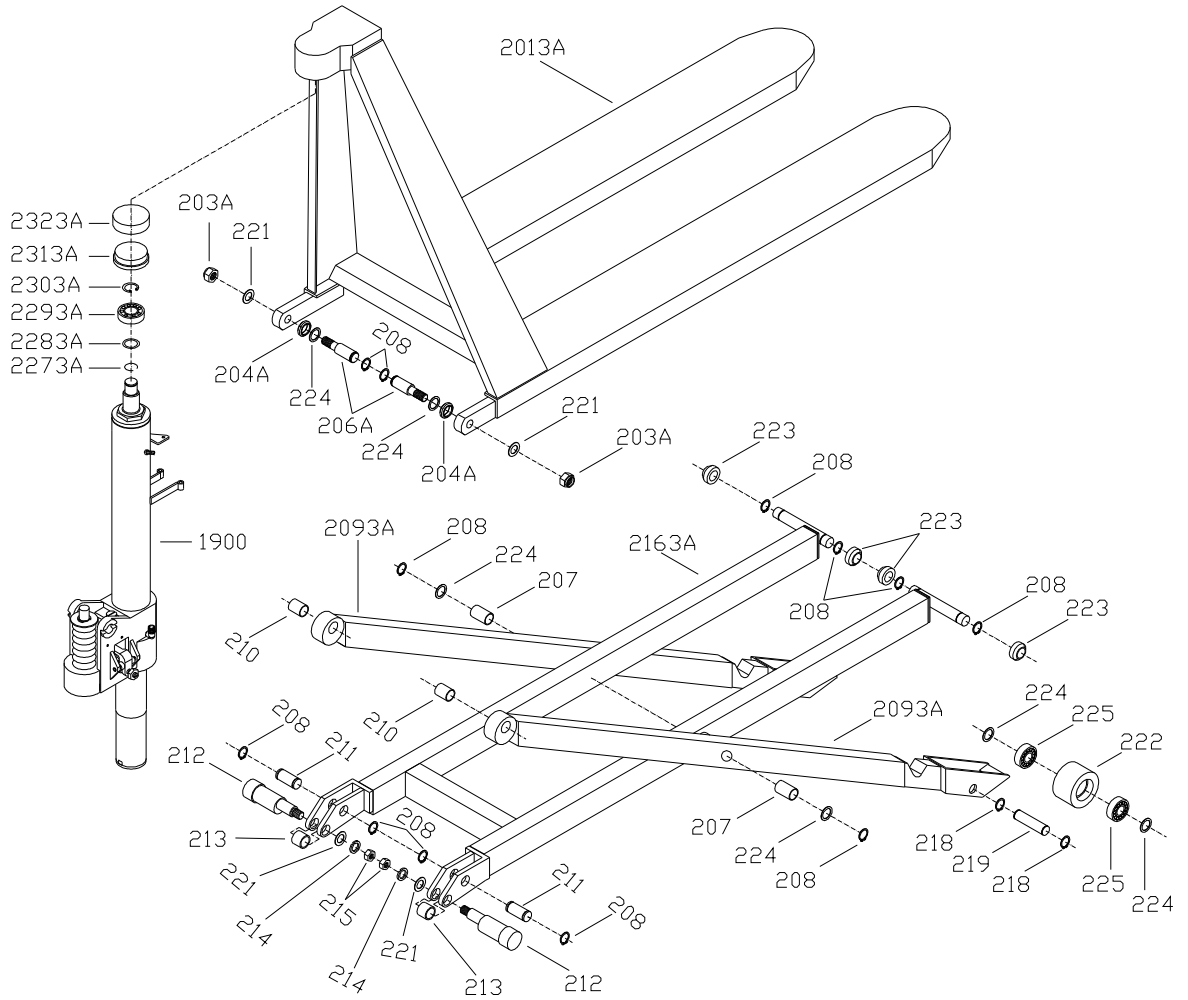


Fig. 4 Frame of ACX 10E

No.	Description	Qty	No.	Description	Qty
2013A	Fork Frame	1	218	Elastic collar	4
203A	Locknut	2	219	Shaft of Roller	2
204A	Gasket	2	221	Gasket	4
206A	Pin	2	222	Roller	2
207	Bushing	2	223	Steel Roller	4
208	Elastic collar	12	224	Gasket	8
2093A	Lift Leg	2	225	Bearing	4
210	Bushing	2	2273A	Steel cable baffle ring	1
211	Pin	2	2283A	Washer	1
212	Centrifugal Axle	2	2293A	Ball Bearing	1
213	Bushing	2	2303A	Circlip for Shaft	1
214	Elastomeric gasket	2	2313A	Seat of Bearing	1
215	Nut	2	2323A	Rubber cover	1
2163A	Inner Leg	1	1900	Pump nut	

Fig. 5 Pump of ACX 10M

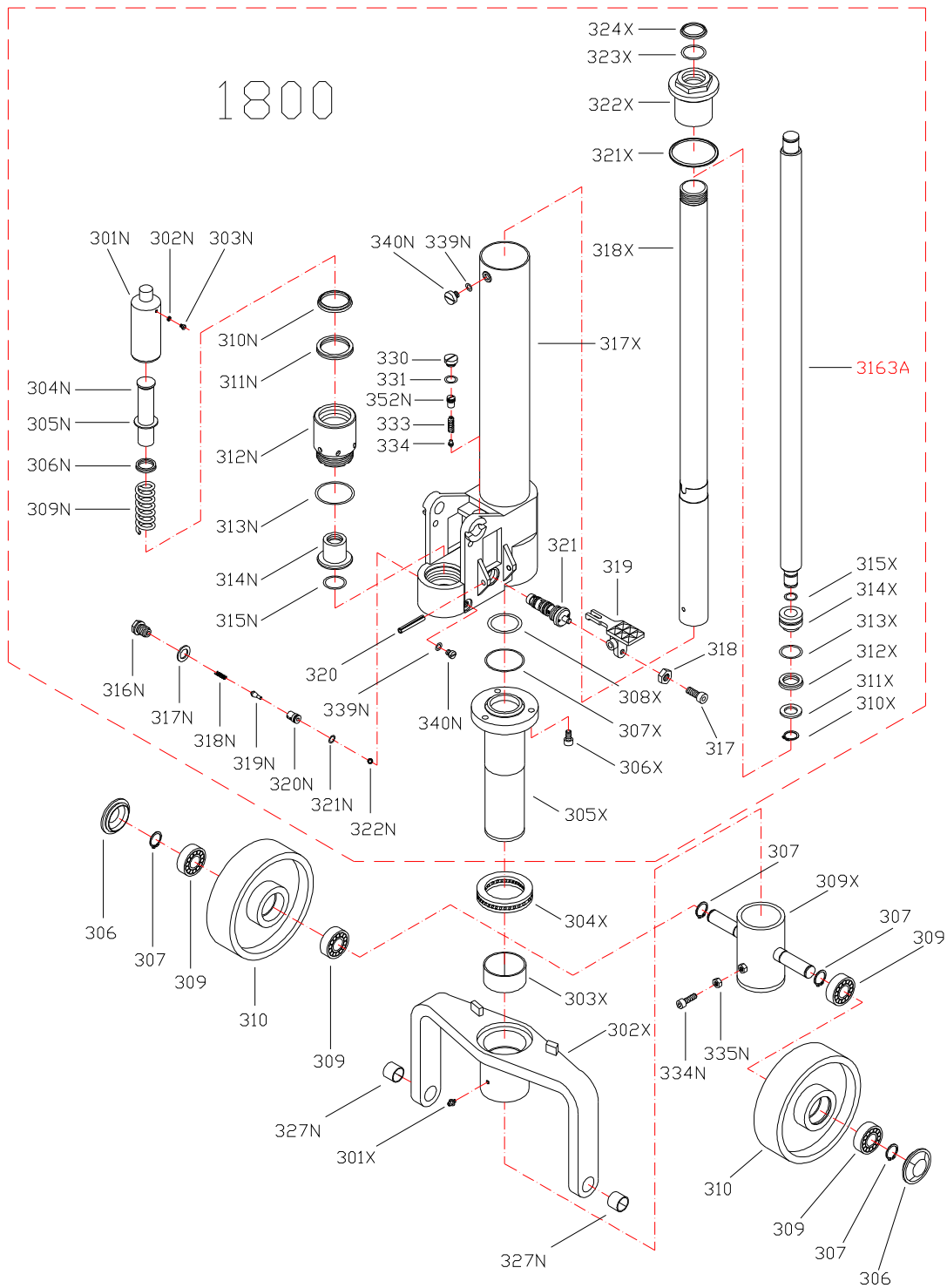


Fig.5 Pump of ACX10M

No.	Description	Qty	Annotations
306	Dust Cover	2	
307	Locking Ring	4	
309	Bearing	4	
310	Steering Wheel	2	
317	Screw	1	
318	Nut	1	
319	Lever Plate	1	
320	Elastic Pin	1	
321	Valve Cartridge	1	
330	Screw Plug	1	
331	O - Ring	1	
333	Spring	1	
334	Spindle of Safety Valve	1	
301N	Piston for Quick Lifting	1	
302N	Seal Washer	1	
303N	Screw for Deflating	1	
304N	Piston for Slow Lifting	1	
305N	Washer for Spring	1	
306N	Y - Ring	1	
309N	Spring	1	
310N	Dust Ring	1	
311N	Y - Ring	1	
312N	Pump Cylinder for Quick Lifting	1	
313N	O - Ring	1	
314N	Pump Cylinder for Slow Lifting	1	
315N	O - Ring	1	
316N	Screw	1	
317N	Seal Washer	1	
318N	Spring	1	
319N	Spindle of Pump Valve	1	
320N	Seat of Valve	1	
321N	O - Ring	1	
322N	Steel Ball	1	
327N	Bushing	2	
334N	Screw	1	
335N	Nut	1	
339N	O - Ring	2	
340N	Screw	2	
352N	Adjusting Bolt	1	
301X	Grease Cup	1	
302X	Thrust Plate	1	
303X	Bushing	1	
304X	Bearing	1	
305X	Lower Cylinder	1	
306X	Screw	3	
307X	O - Ring	1	
308X	O - Ring	1	
309X	Holding Site for Wheel	1	
310X	Locking Ring	1	

No.	Description	Qty	Annotations
311X	Washer	1	
312X	Y - Ring	1	
313X	O - Ring	1	
314X	Piston	1	
315X	O - Ring	1	
3163A	Piston Rod	1	
317X	Pump Body	1	
318X	Cylinder	1	
321X	Seal Washer	1	
322X	Screw Cover	1	
323X	O - Ring	1	
324X	Dust Ring	1	

Fig. 6 Pump of ACX 10E (1900)

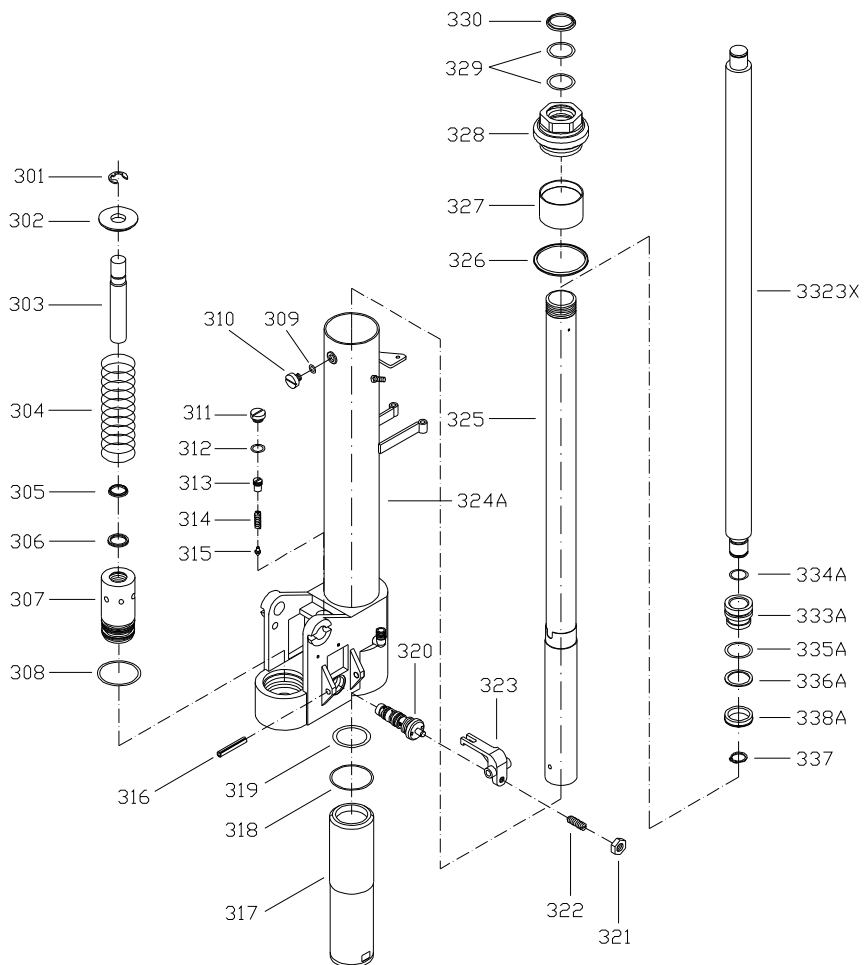


Fig. 6 Pump of ACX 10E (1900)

No.	Description	Qty	No.	Description	Qty
301	Locking Ring	1	320	Valve Cartridge	1
302	Gasket for Spring	1	321	Nut	1
303	Piston	1	322	Screw	1
304	Spring	1	323	Lever Plate	1
305	Dust Ring	1	324A	Pump Body	1
306	Y - Ring	1	325	Cylinder	1
307	Pump Cylinder	1	326	Seal Gasket	1
308	O - Ring	1	327	Bushing	1
309	Seal Gasket	1	328	Screw Cover	1
310	Screw Plug	1	329	O - Ring	1
311	Screw Plug	1	330	Dust Ring	1
312	O - Ring	1	3323X	Piston Rod	1
313	Adjusting Bolt	1	333A	Piston	1
314	Spring	1	334A	O - Ring	1
315	Spindle of Safety Valve	1	335A	O - Ring	1
316	Elastic Pin	1	336A	Gasket	1
317	Lower Cylinder	1	337	Elastic collar	1
318	O - Ring	1	338A	Y - Ring	1
319	O - Ring	1			

Fig. 7 External Charger of ACX 10E

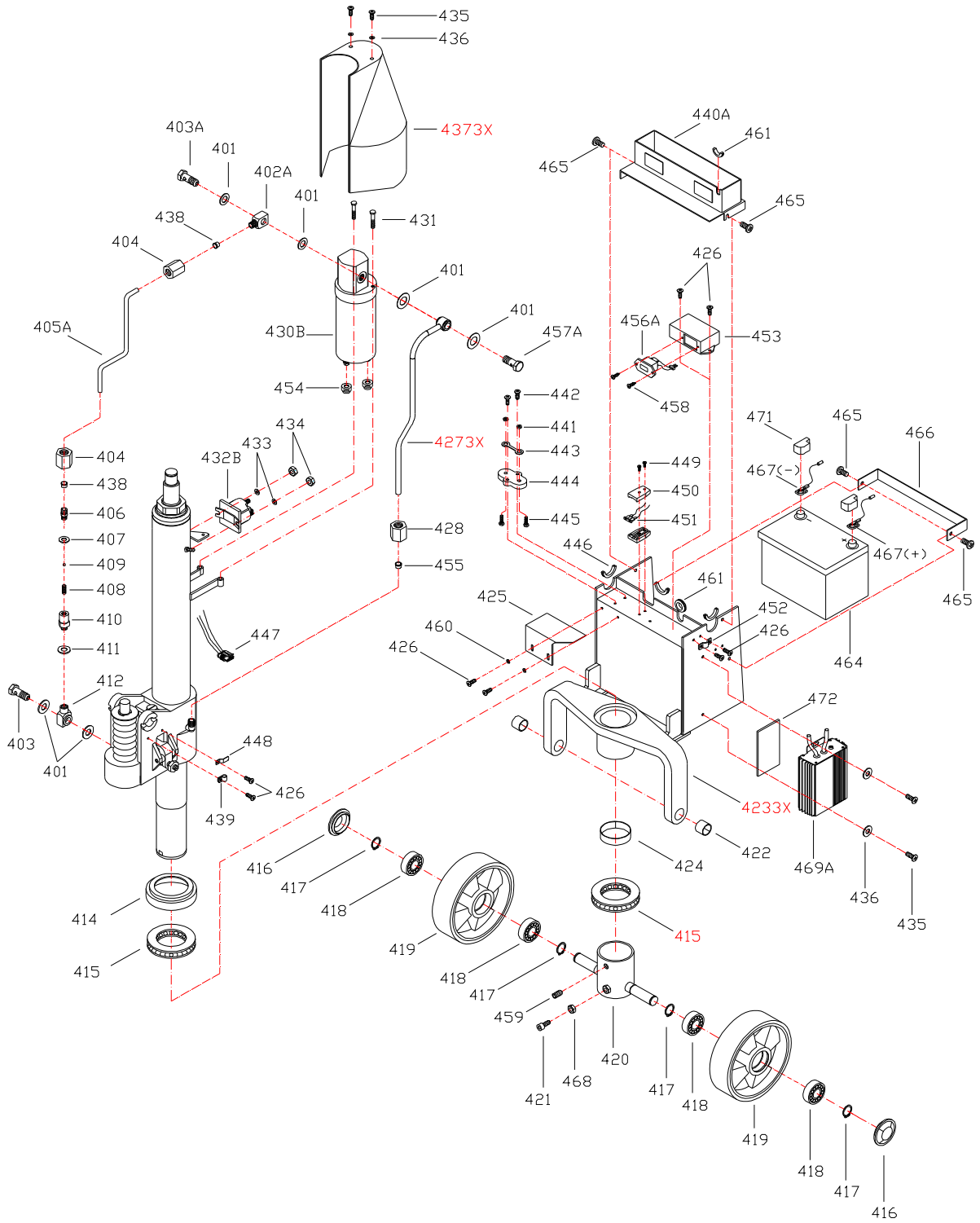


Fig. 7 External Charger of ACX 10E

No.	Description	Qty	No.	Description	Qty
401	Seal Gasket	6	438	Sheath	2
402A	Connector	1	439	Nylon Clips	1
403A	Bolt	1	4403X	Battery Cover	1
403	Bolt	1	441	Nut	2
404	Nut	2	442	Screw	2
405A	Oil Pipe	1	443	Fuse	1
406	Carve Tie-in	1	444	Fuse Carrier	1
407	Seal Gasket	1	445	Bolt	2
408	Spring	1	446	Rubber band	2
409	Steel Ball	1	447	Connector plug	1
410	Seat of Valve	1	448	Metal sheet	1
411	Seal Gasket	1	449	Screw	6
412	Connector	1	450	Fuse Carrier	2
414	Seat of Bearing	1	451	Fuse	1
415	Bearing	2	452	Wire Clip	1
416	Dust Cover	2	453	Seat of Voltage Meter	1
417	Elastic collar	4	454	Rubber Sheath	2
418	Bearing	4	455	Sheath	1
419	Wheel	2	456A	Circuit Module	1
420	Holding Site for Wheel	1	457A	Bolt	1
421	Bolt	1	458	Screw	2
422	Bushing	2	459	Screw	3
4233X	Thrust Plate	1	460	Gasket	2
424	Bushing	1	461	Rubber band	2
425	Cover	1	462	Socket	2
426	Screw	8	464	Battery	1
4273X	Oil Pipe	1	465	Screw	4
428	Nut	1	466	Baffle	1
430A	Motor Assembly	1	467(+)	Battery Clip(+)	1
431	Bolt	2	467(-)	Battery Clip(-)	1
432A	Electromagnetic Switch	1	468	Nut	1
433	Gasket	2	469A	Electronic Charger	1
434	NUt	2	470	Pull Handle	1
435	Screw	6	471	Battery Safeguard	2
436	Gasket	6	472	Heat Conduction Plate	1
4373X	Motor Cover	1	1900	Pump nit	