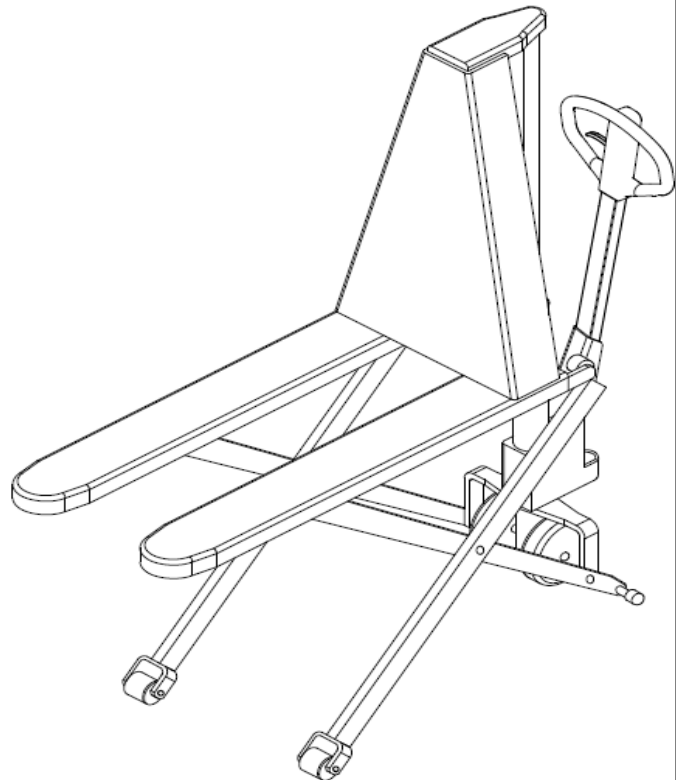


# **SPAREPARTS LIST**

**Manual Scissor Lift Pallet Truck/**

**Electrical Scissor Lift Pallet Truck with Electric Lifting**



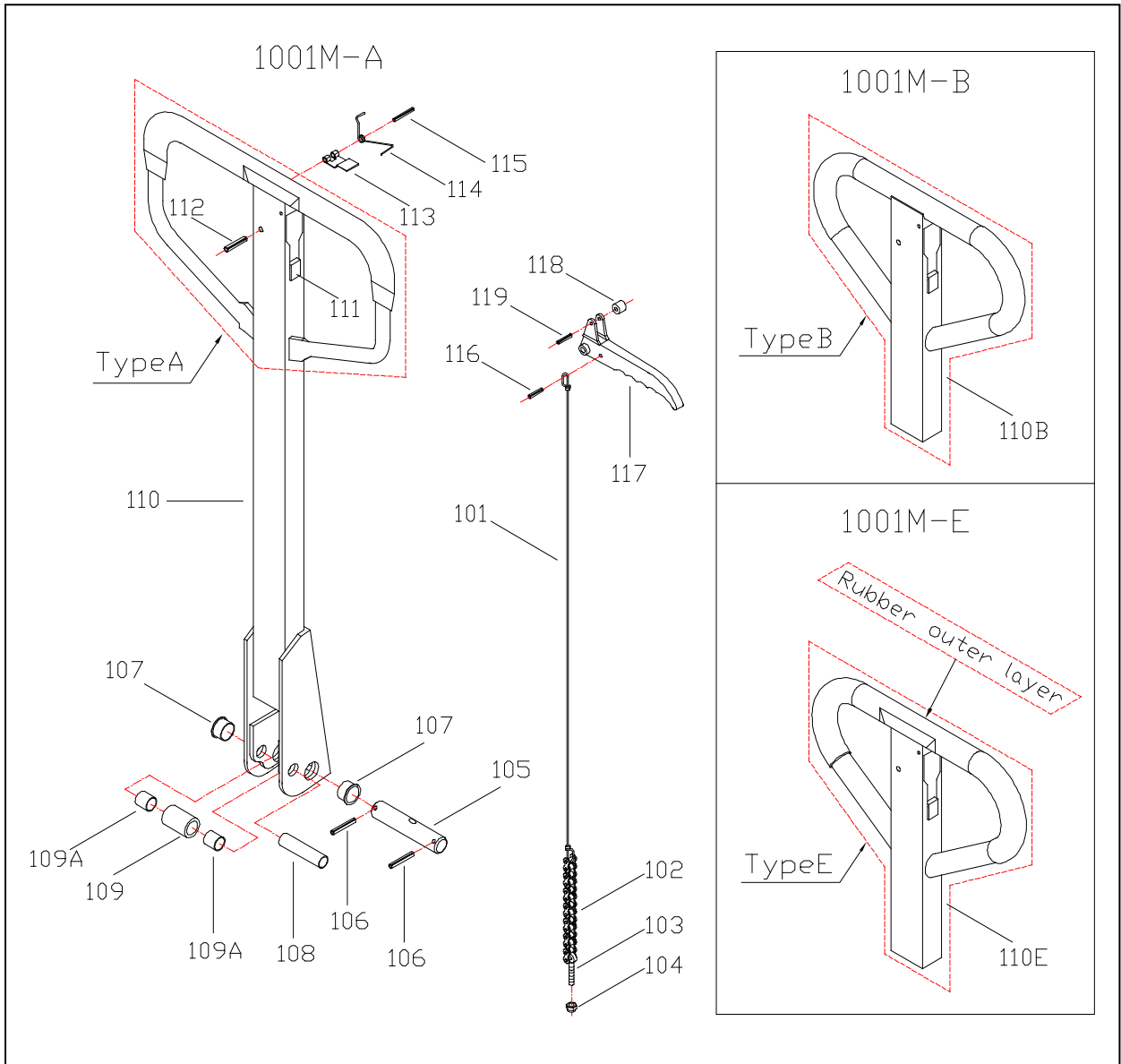
Version 04/2014  
From Ident-nr.: 08140400001  
(sticker under the ID-plate)  
ACX-BPT-004

# Catalogue

Fig. 1 Draw-Bar of ACX 15M.....	3
Fig. 2 Draw-Bar Version D of ACX 15E.....	5
Fig. 3 Frame of ACX 15M.....	9
Fig. 4 Frame of ACX 15E.....	11
Fig. 5 Pump of ACX 15M.....	11
Fig. 6 Pump of ACX 15E Version D (1900).....	14
Fig. 7 External Charger of ACX 15E.....	16
Fig. 8 Wiring Diagram of ACX 15E.....	22

**Fig. 1 Draw-Bar of ACX 15M**

**1001M-A / 1001M-B / 1001M-E**

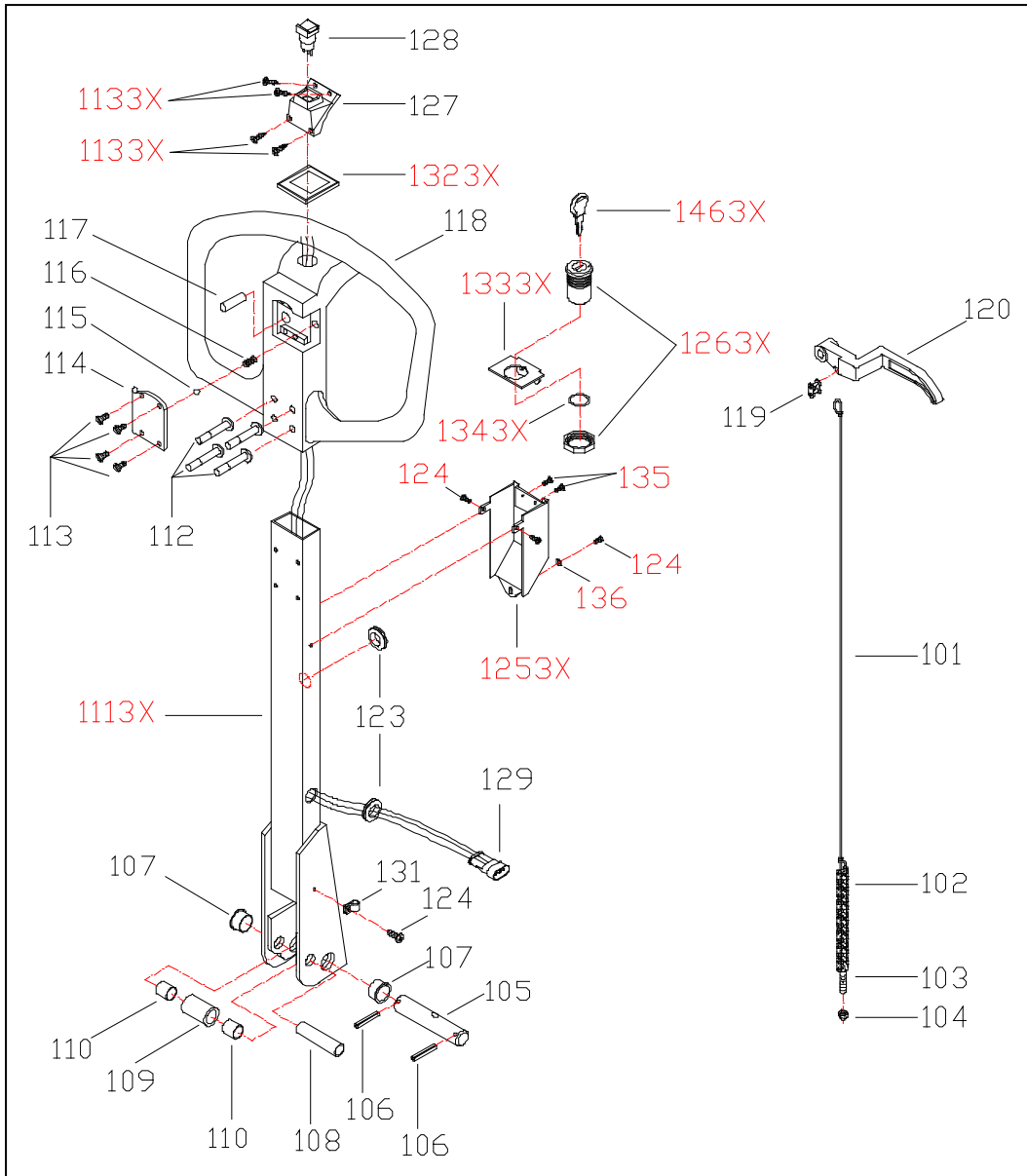


**Fig.1 Draw-Bar of ACX 15M**

No.	Description	Qty.	Remark
101	Release Rod	1	
102	Chain	1	
103	Adjusting Bolt	1	
104	Adjusting Nut	1	
105	Axle with Hole	1	
106	Elastic Pin	2	
107	Bushing	2	
108	Roller Pin	1	
109	Pressure Roller	1	
109A	Bushing	2	
110	Draw-bar	1	Type A
110B	Draw-bar	1	Type B
110E	Draw-bar	1	Type E
111	Stop Rubber	1	
112	Elastic Pin	1	
113	Blade Spring	1	
114	Spring	1	
115	Elastic Pin	1	
116	Elastic Pin	1	
117	Control Handle	1	
118	Roller	1	
119	Elastic Pin	1	
1001M-A	101、102、103、104、105、106、107、108、109、109A、110、111、112、113、114、115、116、117、118、119		
1001M-B	101、102、103、104、105、106、107、108、109、109A、110B、111、112、113、114、115、116、117、118、119		
1001M-E	101、102、103、104、105、106、107、108、109、109A、110E、111、112、113、114、115、116、117、118、119		

**Fig. 2 Draw-Bar Version D of ACX 15E**

**1001E-D**

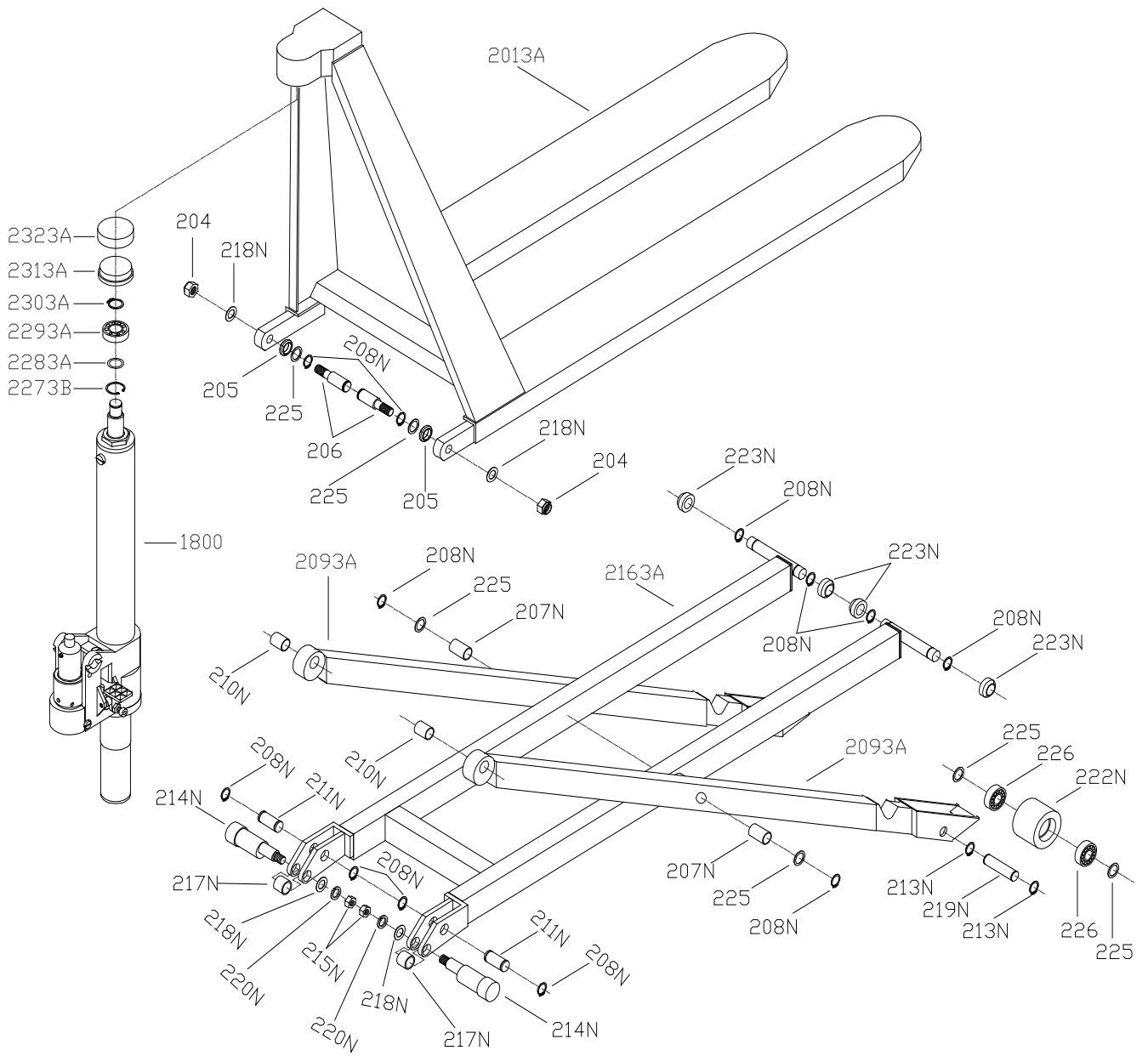


**Fig. 2 Draw-Bar Version D of ACX 15E**

**1001E-D**

<b>No.</b>	<b>Description</b>	<b>Qty</b>	<b>No.</b>	<b>Description</b>	<b>Qty</b>
101	Release Rod	1	118	Handle	1
102	Chain	1	119	Pin	1
103	Adjusting Bolt	1	120	Controlling Handle	1
104	Adjusting Nut	1	123	Rubber band	2
105	Axle with Hole	1	124	Screw	4
106	Elastic Pin	2	1253X	Cover	1
107	Bushing	2	1263X	Switch	1
108	Roller Pin	1	127	Socket of button	1
109	Pressure Roller	1	128	Button	1
110	Bushing	1	129	Connector plug	1
1113X	Draw - bar	1	131	Nylon Clips	1
112	Pin	4	1323X	Rubber Packing	1
113	Screw	4	1333X	Socket of switch	1
1133X	Screw	4	1343X	O - Ring	1
114	Cover	1	135	Screw	2
115	Ball	1	136	Gasket	1
116	Spring	1	1463X	Key	2
117	Pin	1			

**Fig. 3 Frame of ACX 15M**

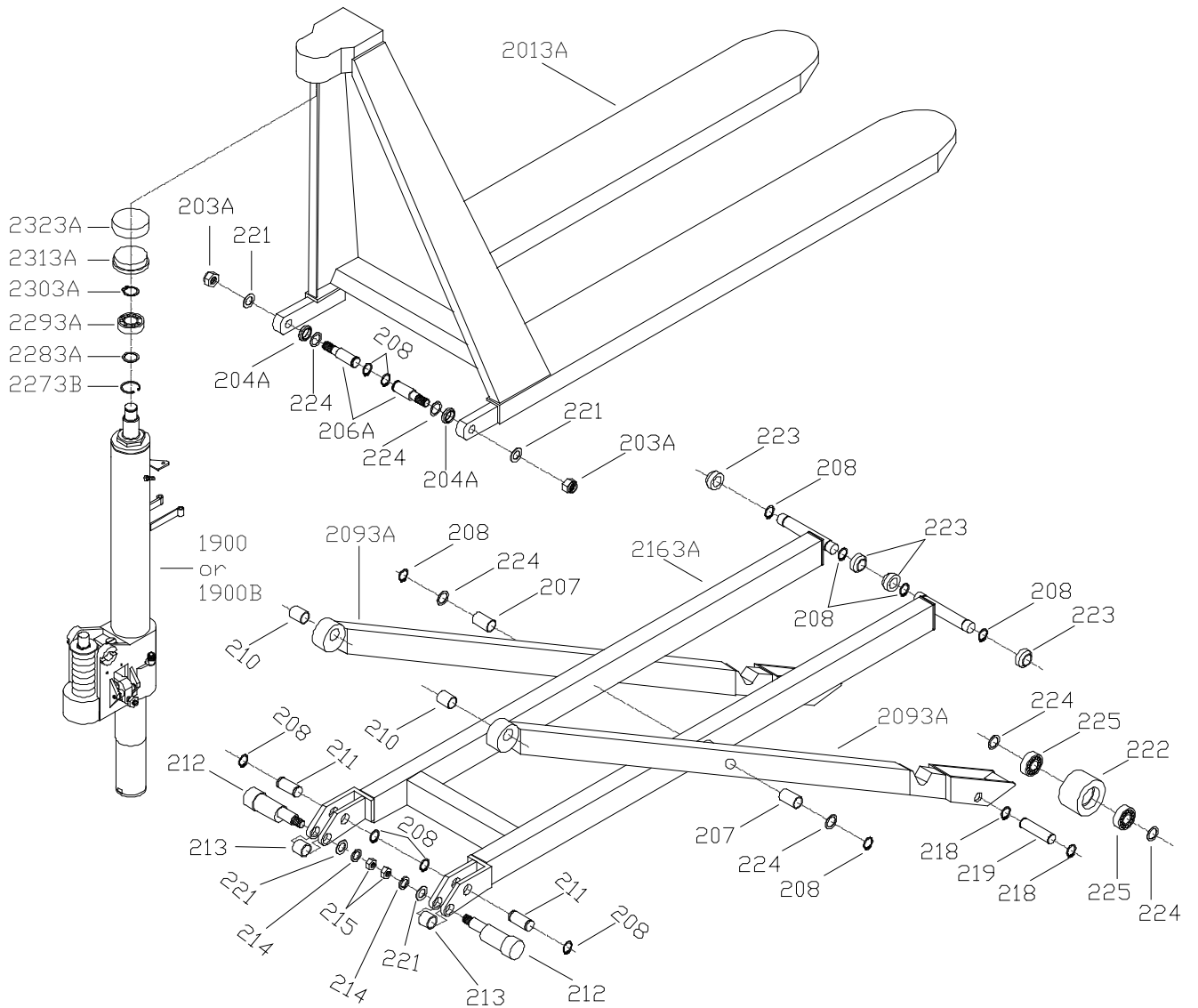


**Fig.3 Frame of ACX 15M**

<b>No.</b>	<b>Description</b>	<b>Qty</b>	<b>Annotations</b>
204	Nut	2	
205	Washer	2	
206	Pin	2	
225	Washer	6	
226	Bearing	4	
2013A	Fork Frame	1	
207N	Bushing	2	
208N	Elastic collar	12	
2093A	Lift Leg	2	
210N	Bushing	2	
211N	Pin	2	
213N	Locking Ring	4	
214N	Centrifugal Axle	2	
215N	Locking Nut	2	
2163A	Inner Leg	1	
217N	Bushing	2	
218N	Washer	4	
219N	Shaft of Roller	2	
220N	Elastic Washer	2	
222N	Roller	2	
223N	Steel Roller	4	
2273B	Retain Ring 72 For Bore	1	From 08140400001
2283A	Washer	1	
2293A	Ball Bearing	1	
2303A	Circlip for Shaft	1	
2313A	Seat of Bearing	1	
2323A	Rubber cover	1	
1800	Pump nut		



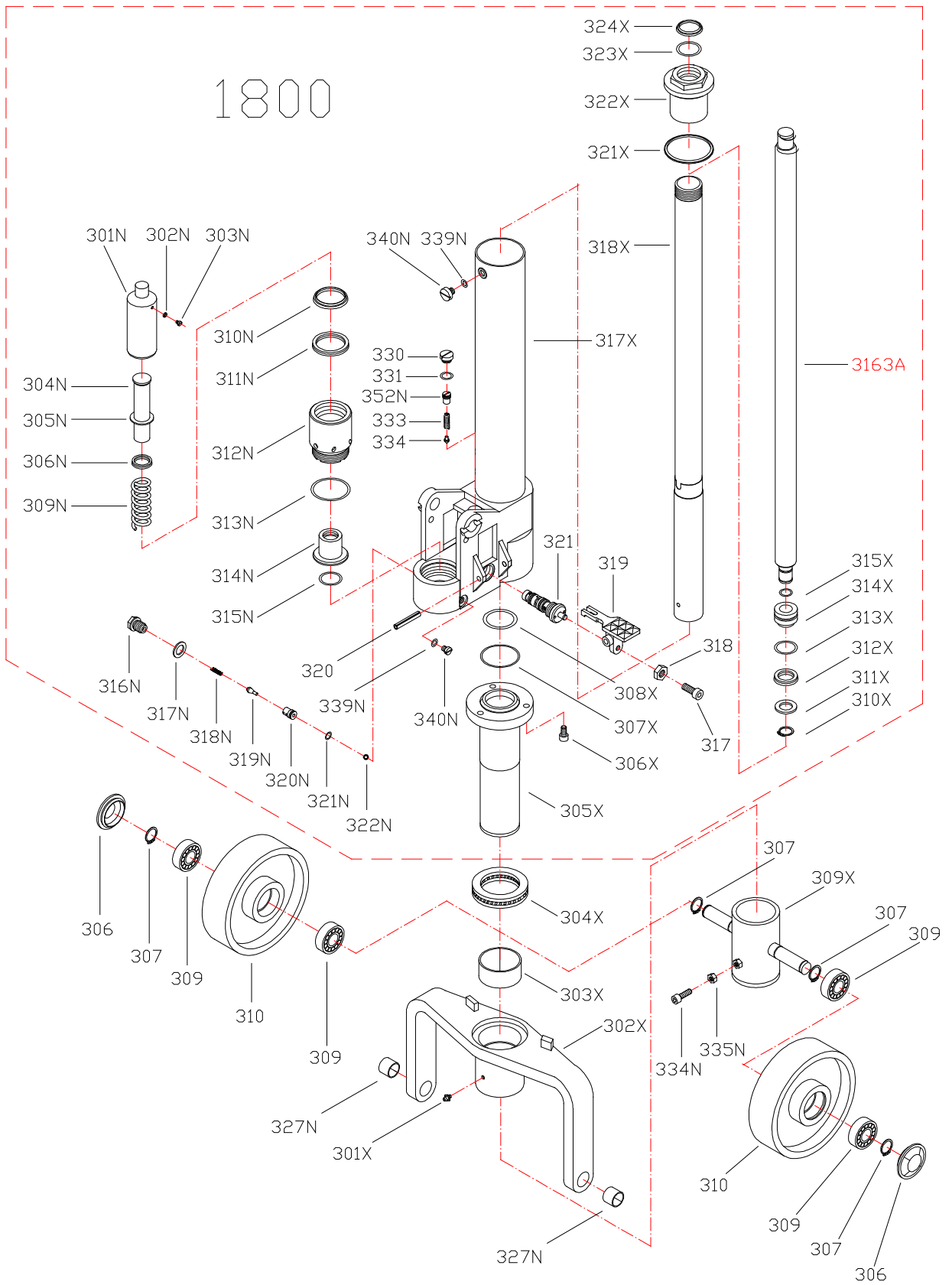
**Fig. 4 Frame of ACX 15E**



**Fig. 4 Frame of ACX 15E**

<b>No.</b>	<b>Description</b>	<b>Qty</b>	<b>Annotations</b>
2013A	Fork Frame	1	
203A	Locknut	2	
204A	Gasket	2	
206A	Pin	2	
207	Bushing	2	
208	Elastic collar	12	
2093A	Lift Leg	2	
210	Bushing	2	
211	Pin	2	
212	Centrifugal Axle	2	
213	Bushing	2	
214	Elastomeric gasket	2	
215	Nut	2	
2163A	Inner Leg	1	
218	Elastic collar	4	
219	Shaft of Roller	2	
221	Gasket	4	
222	Roller	2	
223	Steel Roller	4	
224	Gasket	8	
225	Bearing	4	
2273B	Retain Ring 72 For Bore	1	From 08140400001
2283A	Washer	1	
2293A	Ball Bearing	1	
2303A	Circlip for Shaft	1	
2313A	Seat of Bearing	1	
2323A	Rubber cover	1	
1900 /1900B	Pump nut	1	
<p><b>Explanation:</b> The pump nut <b>1900B</b> is only used while choosing the <b>Draw-Bar 1001E-B</b> for product.</p>			

**Fig. 5 Pump of ACX 15M**



**Fig.5 Pump of ACX15M**

<b>No.</b>	<b>Description</b>	<b>Qty</b>	<b>Annotations</b>
306	Dust Cover	2	
307	Locking Ring	4	
309	Bearing	4	
310	Steering Wheel	2	
317	Screw	1	
318	Nut	1	
319	Lever Plate	1	
320	Elastic Pin	1	
321	Valve Cartridge	1	
330	Screw Plug	1	
331	O - Ring	1	
333	Spring	1	
334	Spindle of Safety Valve	1	
301N	Piston for Quick Lifting	1	
302N	Seal Washer	1	
303N	Screw for Deflating	1	
304N	Piston for Slow Lifting	1	
305N	Washer for Spring	1	
306N	Y - Ring	1	
309N	Spring	1	
310N	Dust Ring	1	
311N	Y - Ring	1	
312N	Pump Cylinder for Quick Lifting	1	
313N	O – Ring	1	
314N	Pump Cylinder for Slow Lifting	1	
315N	O - Ring	1	
316N	Screw	1	
317N	Seal Washer	1	
318N	Spring	1	
319N	Spindle of Pump Valve	1	
320N	Seat of Valve	1	
321N	O - Ring	1	
322N	Steel Ball	1	
327N	Bushing	2	
334N	Screw	1	
335N	Nut	1	
339N	O - Ring	2	
340N	Screw	2	
352N	Adjusting Bolt	1	
301X	Grease Cup	1	
302X	Thrust Plate	1	
303X	Bushing	1	
304X	Bearing	1	
305X	Lower Cylinder	1	
306X	Screw	3	
307X	O - Ring	1	
308X	O - Ring	1	
309X	Holding Site for Wheel	1	
310X	Locking Ring	1	

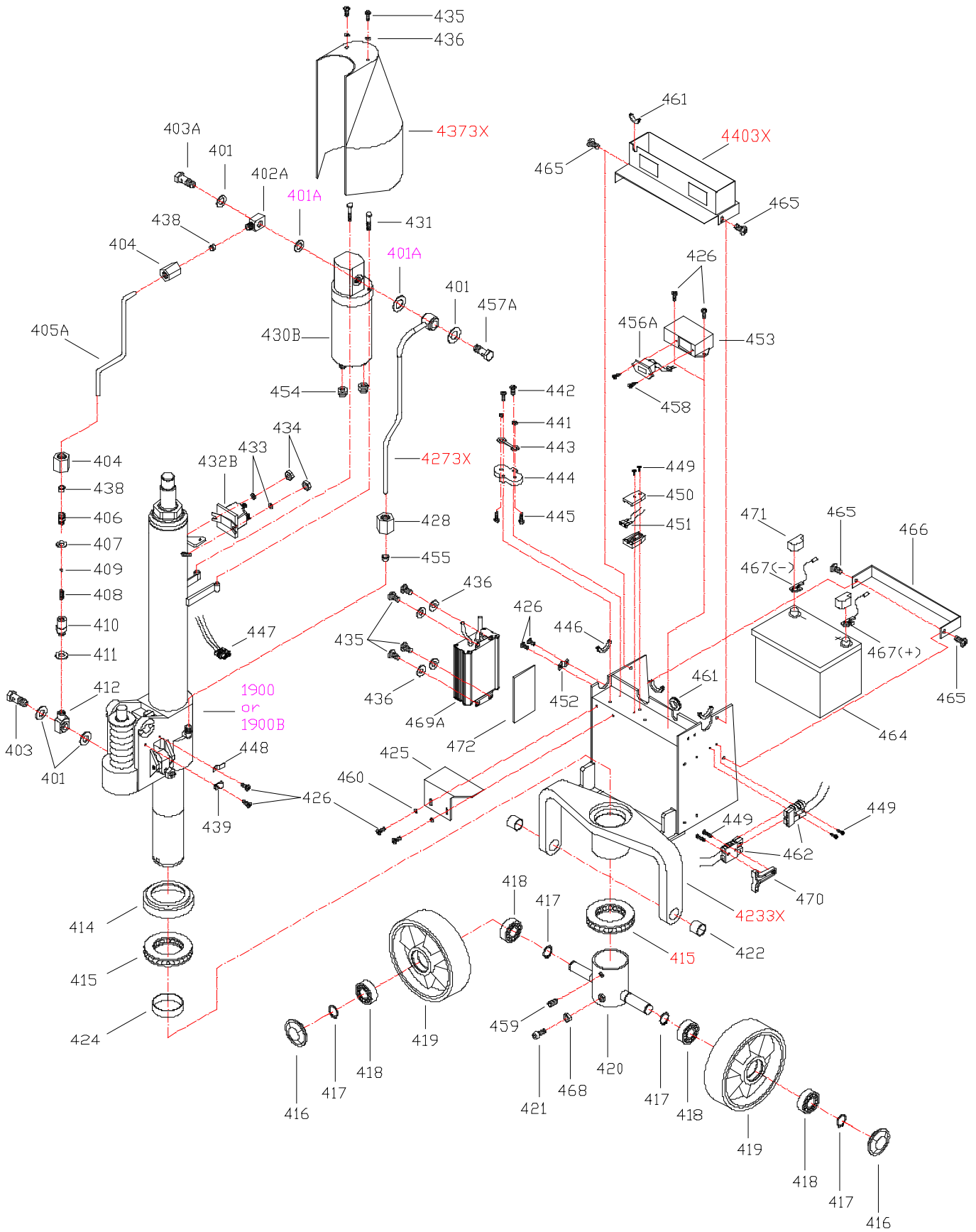
No.	Description	Qty	Annotations
311X	Washer	1	
312X	Y - Ring	1	
313X	O - Ring	1	
314X	Piston	1	
315X	O - Ring	1	
3163A	Piston Rod	1	
317X	Pump Body	1	
318X	Cylinder	1	
321X	Seal Washer	1	
322X	Screw Cover	1	
323X	O - Ring	1	
324X	Dust Ring	1	
NV-X	Seal Kit Ass'y		331, 302N, 306N, 310N, 311N, 313N, 315N, 317N, 321N, 339N 307X, 308X, 312X, 313X, 315X, 321X, 323X, 324X
1800	321, 330, 331, 333, 334, 301N, 302N, 303N, 304N, 305N, 306N, 309N, 310N, 311N, 312N, 313N, 314N, 315N, 316N, 317N, 318N, 319N, 320N, 321N, 322N, 339N, 340N, 352N, 305X, 306X, 307X, 308X, 310X, 311X, 312X, 313X, 314X, 315X, 3163A, 317X, 318X, 321X, 322X, 323X, 324X		



**Fig. 6 Pump of ACX 15E Version D**  
**(1900)**

<b>No.</b>	<b>Description</b>	<b>Qty</b>	<b>No.</b>	<b>Description</b>	<b>Qty</b>
301	Locking Ring	1	320	Valve Cartridge	1
302	Gasket for Spring	1	321	Nut	1
303	Piston	1	322	Screw	1
304	Spring	1	323	Lever Plate	1
305	Dust Ring	1	324A	Pump Body	1
306	Y - Ring	1	325	Cylinder	1
307	Pump Cylinder	1	326	Seal Gasket	1
308	O - Ring	1	327	Bushing	1
309	Seal Gasket	1	328	Screw Cover	1
310	Screw Plug	1	329	O - Ring	1
311	Screw Plug	1	330	Dust Ring	1
312	O - Ring	1	3323X	Piston Rod	1
313	Adjusting Bolt	1	333A	Piston	1
314	Spring	1	334A	O - Ring	1
315	Spindle of Safety Valve	1	335A	O - Ring	1
316	Elastic Pin	1	336A	Gasket	1
317	Lower Cylinder	1	337	Elastic collar	1
318	O - Ring	1	338A	Y - Ring	1
319	O - Ring	1			

**Fig. 7 External Charger of ACX 15E**



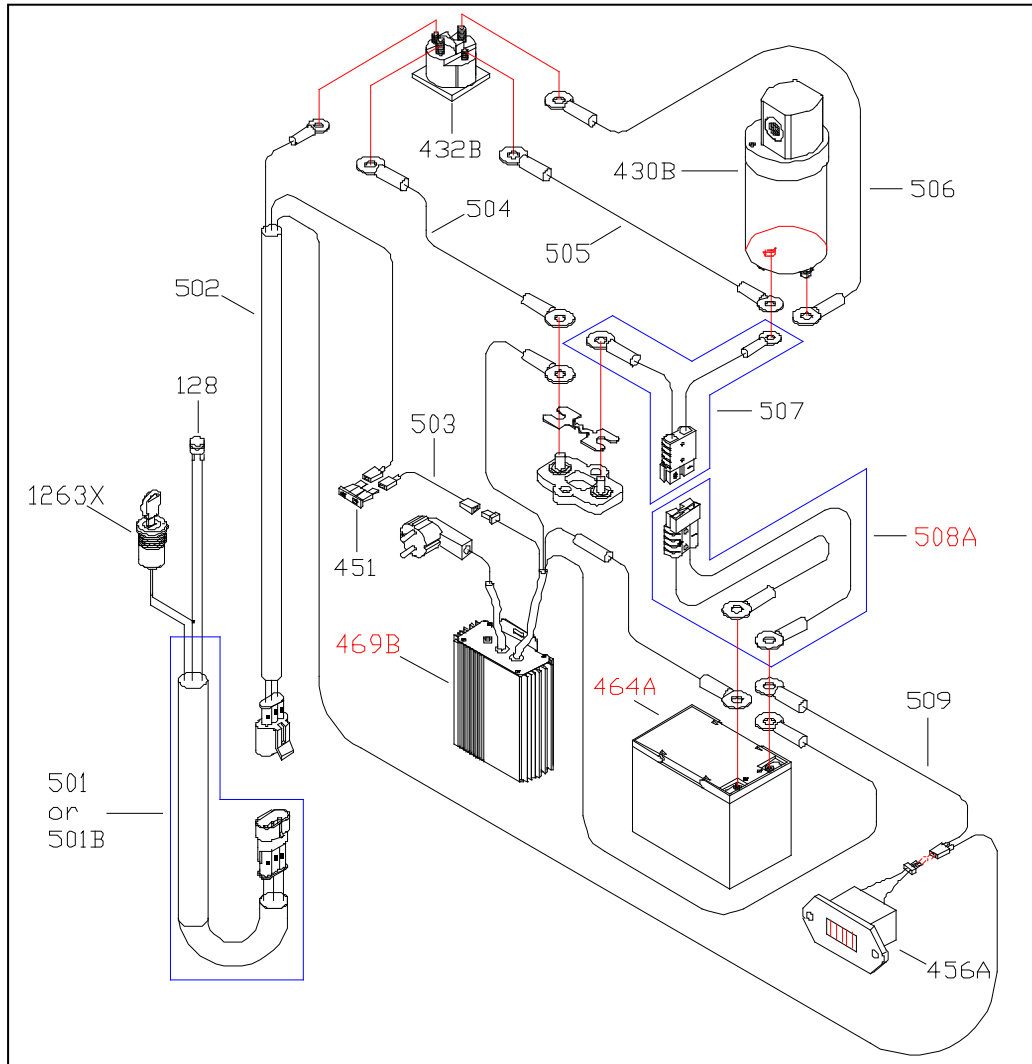


**Fig. 7 External Charger of ACX 15E**

<b>No.</b>	<b>Description</b>	<b>Qty</b>	<b>No.</b>	<b>Description</b>	<b>Qty</b>
401	Seal Gasket	4	438	Sheath	2
402A	Connector	1	439	Nylon Clips	1
403A	Bolt	1	4403X	Battery Cover	1
403	Bolt	1	441	Nut	2
404	Nut	2	442	Screw	2
405A	Oil Pipe	1	443	Fuse	1
406	Carve Tie-in	1	444	Fuse Carrier	1
407	Seal Gasket	1	445	Bolt	2
408	Spring	1	446	Rubber band	2
409	Steel Ball	1	447	Connector plug	1
410	Seat of Valve	1	448	Metal sheet	1
411	Seal Gasket	1	449	Screw	6
412	Connector	1	450	Fuse Carrier	2
414	Seat of Bearing	1	451	Fuse	1
415	Bearing	2	452	Wire Clip	1
416	Dust Cover	2	453	Seat of Voltage Meter	1
417	Elastic collar	4	454	Rubber Sheath	2
418	Bearing	4	455	Sheath	1
419	Wheel	2	456A	Circuit Module	1
420	Holding Site for Wheel	1	457A	Bolt	1
421	Bolt	1	458	Screw	2
422	Bushing	2	459	Screw	3
4233X	Thrust Plate	1	460	Gasket	2
424	Bushing	1	461	Rubber band	2
425	Cover	1	462	Socket	2
426	Screw	8	464	Battery	1
4273X	Oil Pipe	1	465	Screw	4
428	Nut	1	466	Baffle	1
430A	Motor Assembly	1	467(+)	Battery Clip(+)	1
431	Bolt	2	467(-)	Battery Clip(-)	1
432A	Electromagnetic Switch	1	468	Nut	1
433	Gasket	2	469A	Electronic Charger	1
434	NUt	2	470	Pull Handle	1
435	Screw	6	471	Battery Safeguard	2
436	Gasket	6	472	Heat Conduction Plate	1
4373X	Motor Cover	1	401A	Seal Gasket	2
1900/ 1900B	Pump nit				

Seal Kit Ass' y Of ACX15E	
NV-XE	305, 306, 308, 309, 312, 318, 319, 326, 329, 330, 334A, 335A, 336A, 338A 401, 401A, 407, 411

**Fig. 8 Wiring Diagram of ACX 15E**



**Fig. 8 Wiring Diagram of ACX 10E After September 2017**

No.	Description	Qty	No.	Description	Qty
501	Wire harness of 1001E-D	1	505	Wire harness 5	1
501B	Wire harness of 1001E-B	1	506	Wire harness 6	1
502	Wire harness 2	1	507	Wire harness 7	1
503	Wire harness 3	1	508A	Wire harness 8	1
504	Wire harness 4	1	509	Wire harness 9	1