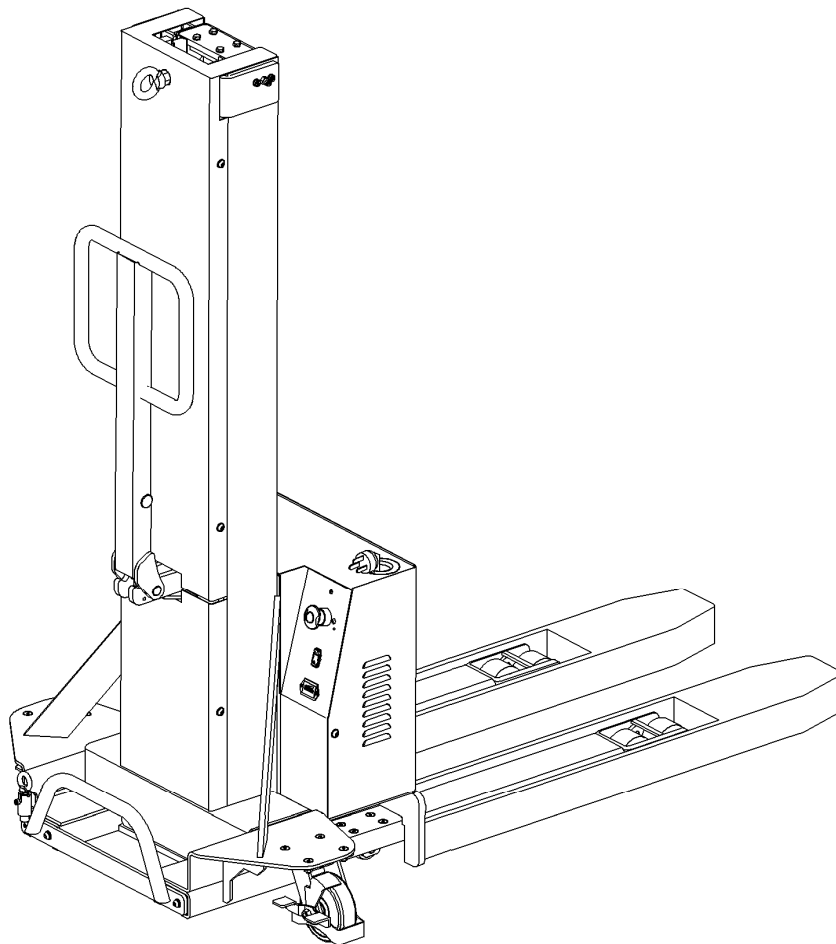


SPAREPARTS LIST

Manual Stacker PS 05F



Version 08/2015

From truck identification number:

30130700011

PS 05F-BPT-001-EN

Catalogue

FIG. 1 LABEL (FOR EU)	2
FIG. 2 LABEL (FOR US)	3
FIG. 3 LOAD WHEEL ASSEMBLY	4
FIG. 4 TRUCK BODY ASSEMBLY	5
FIG. 5 HANDLE ASSEMBLY	6
FIG. 6 MAST ASSEMBLY.....	7
FIG. 7 PALLET ASSEMBLY	10
FIG. 8 HYDRAULIC ASSEMBLY	12
FIG. 9 PUMP ASSEMBLY	13
FIG. 10 CYLINDER ASSEMBLY	15
FIG. 11 ELECTRICAL ASSEMBLY.....	17
FIG. 12 ELECTRICAL ASSEMBLY	19
FIG. 13 ELECTRICAL DRAWING	20
FIG. 14 MAIN CABLE DIAGRAM.....	21
EASY WORN PARTS LIST	22

Fig. 1 Label (for EU)

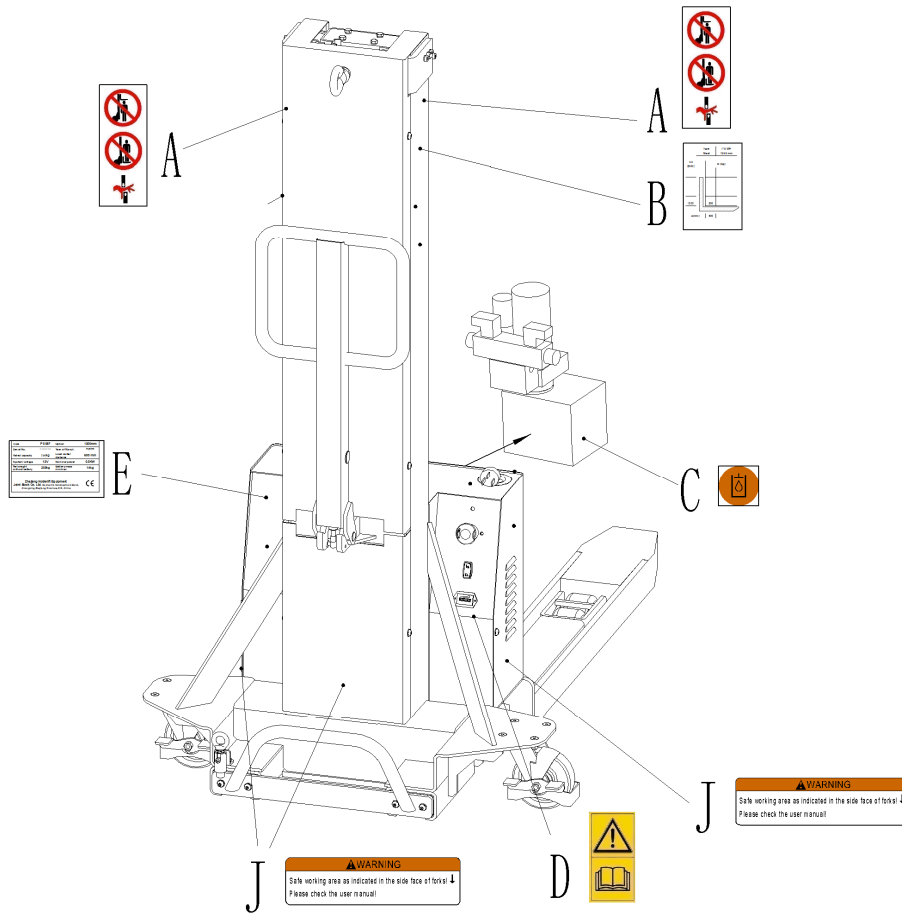


Fig. 1 Label (For US)

No.	Art No.	Description	Qty.	Note
A	9000003923	Warning decal: Do not step under or on the forks	2	
B	9000012454	Residual lift capacity sticker	2	
C	9000008555	Filling sticker	1	
D	9000003570	Sticker to read and follow these instructions	1	
J	9000013678	Warning label	3	

Fig. 2 Label (for US)

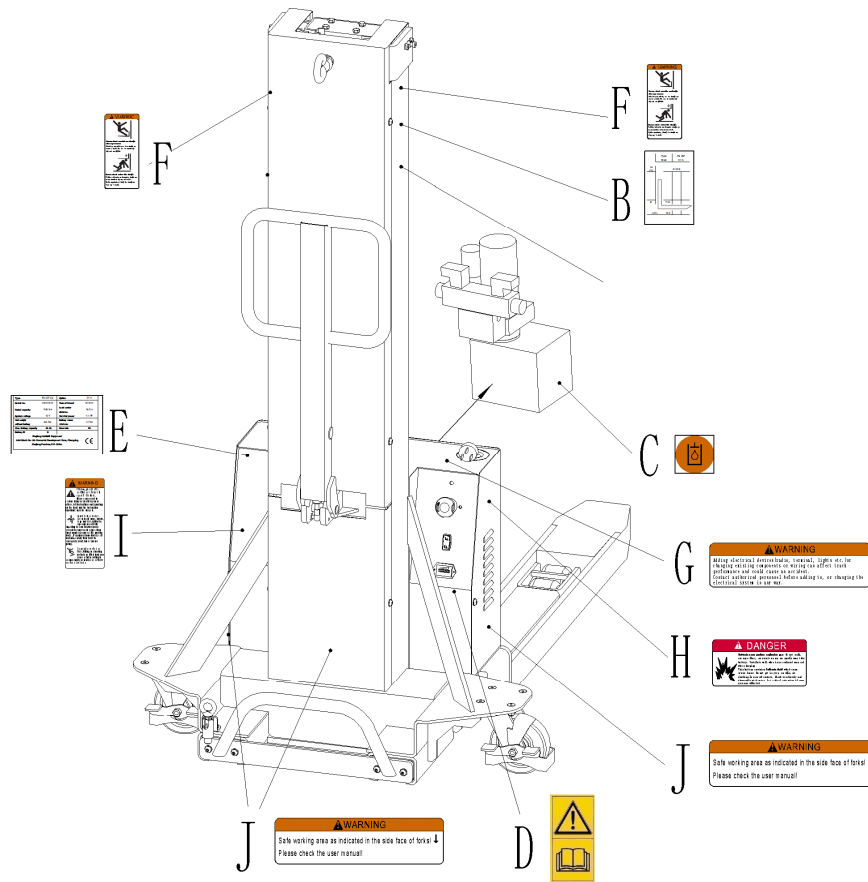


Fig. 2 Label (for US)

No.	Art No.	Description	Qty.	Note
B	9000012454	Residual lift capacity sticker	1	
C	9000008555	Filling sticker	1	
D	9000003570	Sticker to read and follow these instructions	1	
E	9000012455	CE label	1	
F	9000005971	Warning label	2	
G	9000003579	Warning label	1	
H	9000003577	Warning label	1	
I	9000003575	Warning label	1	
J	9000013678	Warning label	3	

Fig. 3 Load wheel assembly

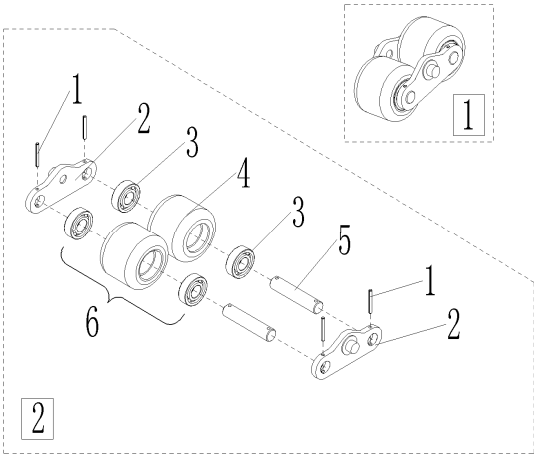


Fig. 3 Load Wheel Assembly

No.	Art No.	Description	Qty.	Note
1	0000028071	Dowel pin	8	4x30
2	9000011678	Linking plate	4	
3	0000027068	Bearing 6203	8	
4	2560416002	Wheel	4	□74×60
5	2560407002	Wheel axle	4	□17×78
6	9000011695	Wheel assembly	4	LZ-PS05F-SF-1
□,1	9000011694	Load wheel assembly	2	

Fig. 4 Truck body assembly

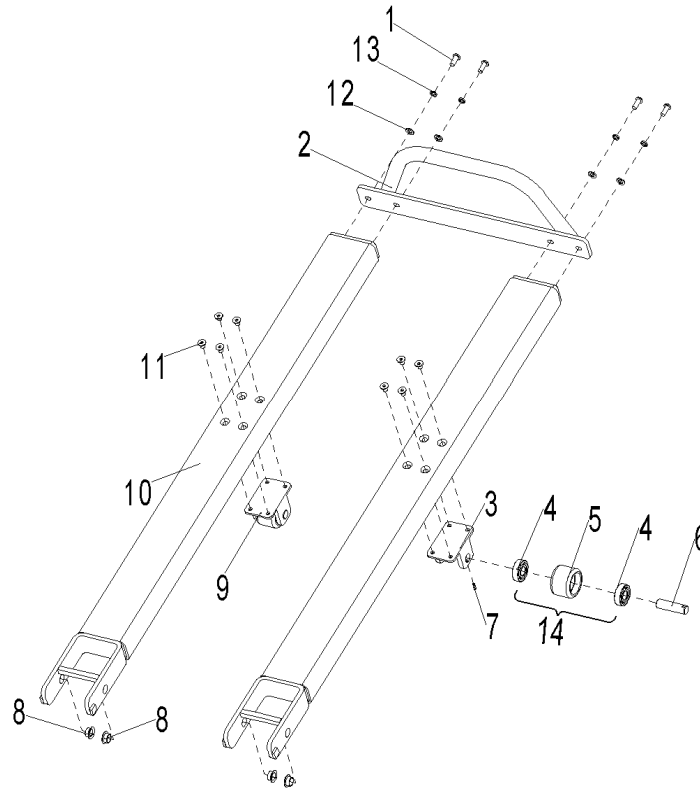


Fig. 4 Truck Body Assembly

No.	Art No.	Description	Qty.	Note
1	0000023078	Screw	4	M8x16
2	9000011688	Handle	1	
3	9000013675	Transition wheel frame	2	
4	0000027068	Bearing 6203	4	
5	9000013676	Transition wheel	2	
6	2560407001	Transition wheel axle	2	
7	0000028136	Dowel pin	2	4x13
8	9000011670	Bushing	4	15x17x9
9	9000013677	Transition wheel assembly	2	
10	9000011689	Leg	2	(540x1050)
11	0000023557	Screw	8	M8x16
12	0000025011	Washer	4	8
13	0000025001	Washer	4	8
14	9000011697	Wheel assembly	2	LZ-PS05F-SF-3

Fig.5 Handle assembly

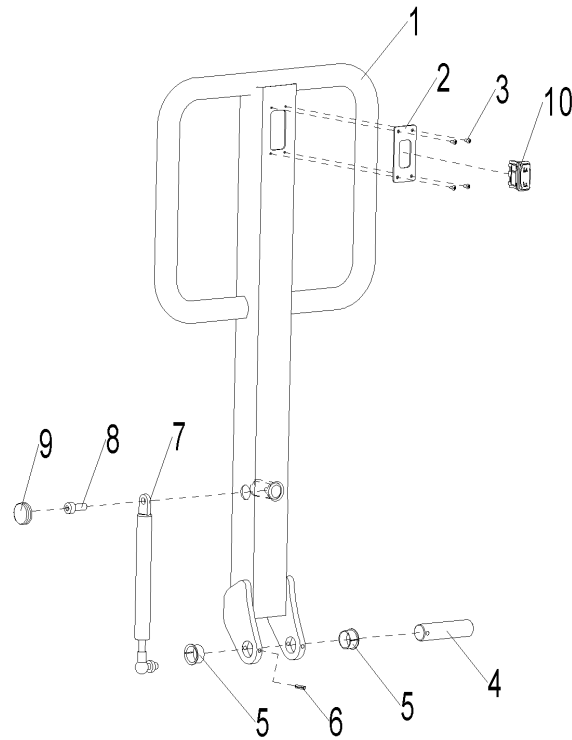


Fig. 5 Handle Assembly

No.	Art No.	Description	Qty.	Note
1	9000011690	Handle	1	
2	9000011691	Button fixing plate	1	
3	0000023083	Screw	4	M3x8
4	2560107001	Handle axle	1	□20×78
5	0000013002	Bushing	2	20x22x12
6	0000028136	Dowel pin	1	4x13
7	2240121002	Air spring	1	(S≥55)
8	0000023044	Screw	1	M8x20
9	1030418001	Cover	1	
10	9000002376	Rocker switch	1	3203-00092-OV

Fig. 6 Mast Assembly

No.	Art No.	Description	Qty.	Note
1	0000023077	Screw	6	M8x40
2	0000025001	Washer	20	8
3	0000024112	Nut	10	M8
4	9000011682	Guide castor assembly	2	
5	2500507003	Short axle	2	
6	2500511002	Guide wheel	2	
7	9000011687	Wheel seat	2	
8	0000026034	Circlip	2	12
9	9000007784	Nut	6	M8
10	9000011679	Mast cover 1	1	(1300)
	9000012472	Mast cover 1	1	(800)
11	0000023078	Screw	6	M8x16
12	0000025011	Washer	14	8
13	0000023083	Screw	2	M3x8
14	9000011680	Plastic drag chain	1	10x10.5x20,1M
15	0000023040	Screw	4	M6x16
16	0000025010	Washer	3	6
17	9000011681	Plug seat	1	
18	9000012456	Locating pin	1	
19	9000011686	Mast cover 2	1	
20	9000011683	Cylinder seat	1	
21	9000012464	Steering wheel	2	
22	0000023941	Screw	8	M8x25
23	9000011685	Mast	1	(1300;540x1050)
	9000012473	Mast	1	(800;540x1050)
24	0000023044	Screw	4	M8x20
25	9000011684	Dowel pin	1	
26	0000023068	Screw	1	M8
27	0000024008	Nut	1	M8
28	9000012457	Limit block	2	
29	0000023047	Screw	4	M8x25
30	9000012463	Nylon slider	4	Optional

31	9000011692	Bend board	1	
32	0000024111	Nut	1	M16
33	0000023439	screw	1	M16x25

Fig. 7 Pallet assembly

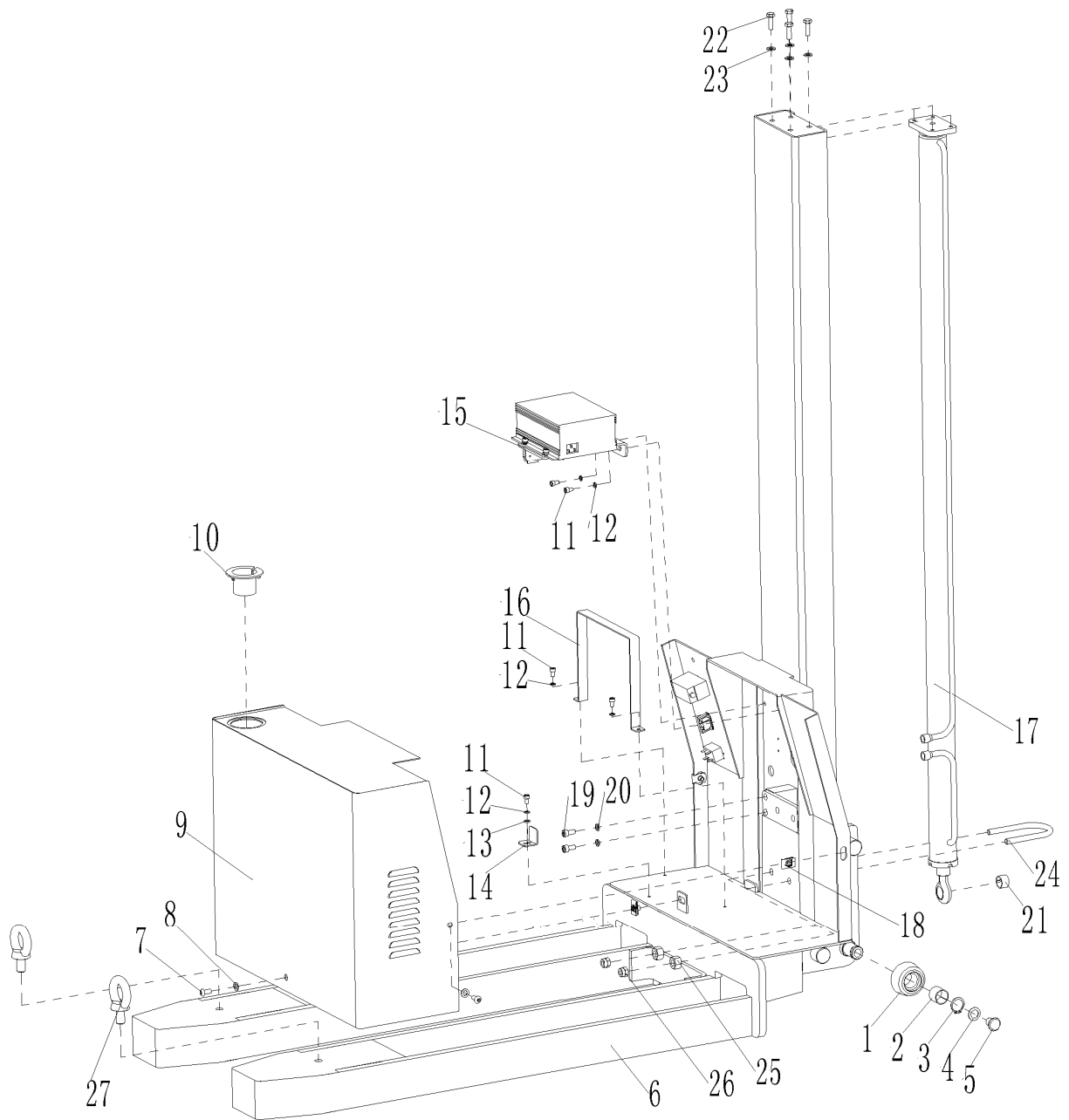


Fig. 7 Pallet Assembly

No.	Parts No.	Description	Qty.	Note
1	9000011671	Roller	4	
2	9000007797	Bushing	4	25x28x22
3	0000026013	Circlip	4	25
4	0000031001	Disk spring	4	16
5	9000008152	Adjusting block	4	
6	9000011672	Fork	1	(1300;540x1050)
	9000012470	Fork	1	(800;540x1050)
7	0000023078	Screw	3	M8x16
8	0000025011	Washer	3	8
9	9000011673	Cover	1	
10	9000008169	Spring cord holder	1	
11	0000023042	Screw	5	M6x10
12	0000025010	Washer	5	6
13	0000023055	Washer	1	6
14	9000011676	Battery limit board	1	
15	9000011674	Charger fixing plate	1	
16	9000011675	Battery fixing clip	1	
17	9000011677	Hydraulic cylinder assembly	1	(1300)
	9000012471	Hydraulic cylinder assembly	1	(800)
18	9000007784	Nut	3	M8
19	0000023080	Screw	2	M10x16
20	0000023006	Washer	2	10
21	1000413001	Bushing	1	20x23x15
22	0000023028	Bolt	4	M8x25
23	0000025001	Washer	4	8
24	9000014152	Cylinder fixing ring	1	
25	0000024132	Nut	2	M12
26	0000023005	Nut	2	M10
27	0000023439	Lifting bolt	2	M16x25

Fig. 8 Hydraulic assembly

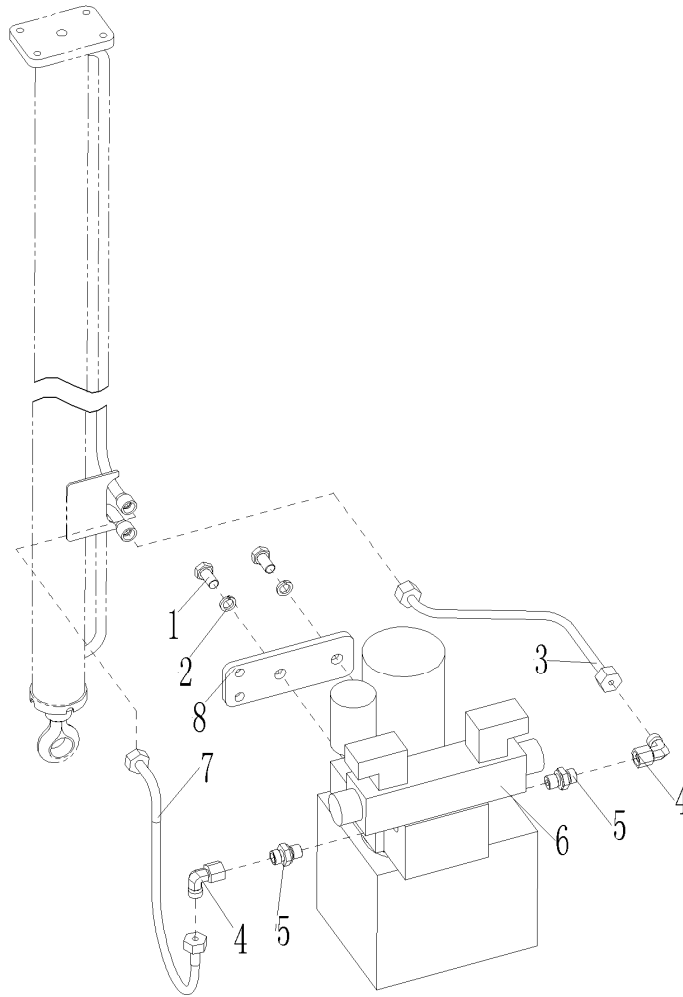


Fig.8 Hydraulic Assembly

No.	Parts No.	Description	Qty.	Note
1	0000023834	Bolt	2	M10x20
2	0000023006	Washer	2	10
3	9000011693	Hydraulic steel pipe	1	
4	9000010306	Elbow	2	M14
5	9000006021	G joint	2	
6	2560237003	Weibo pump	1	DC12/0.8KW
7	9000007823	90° hydraulic hose	1	
8	9000011706	Pump fixing plate	1	

Fig. 9 Pump assembly

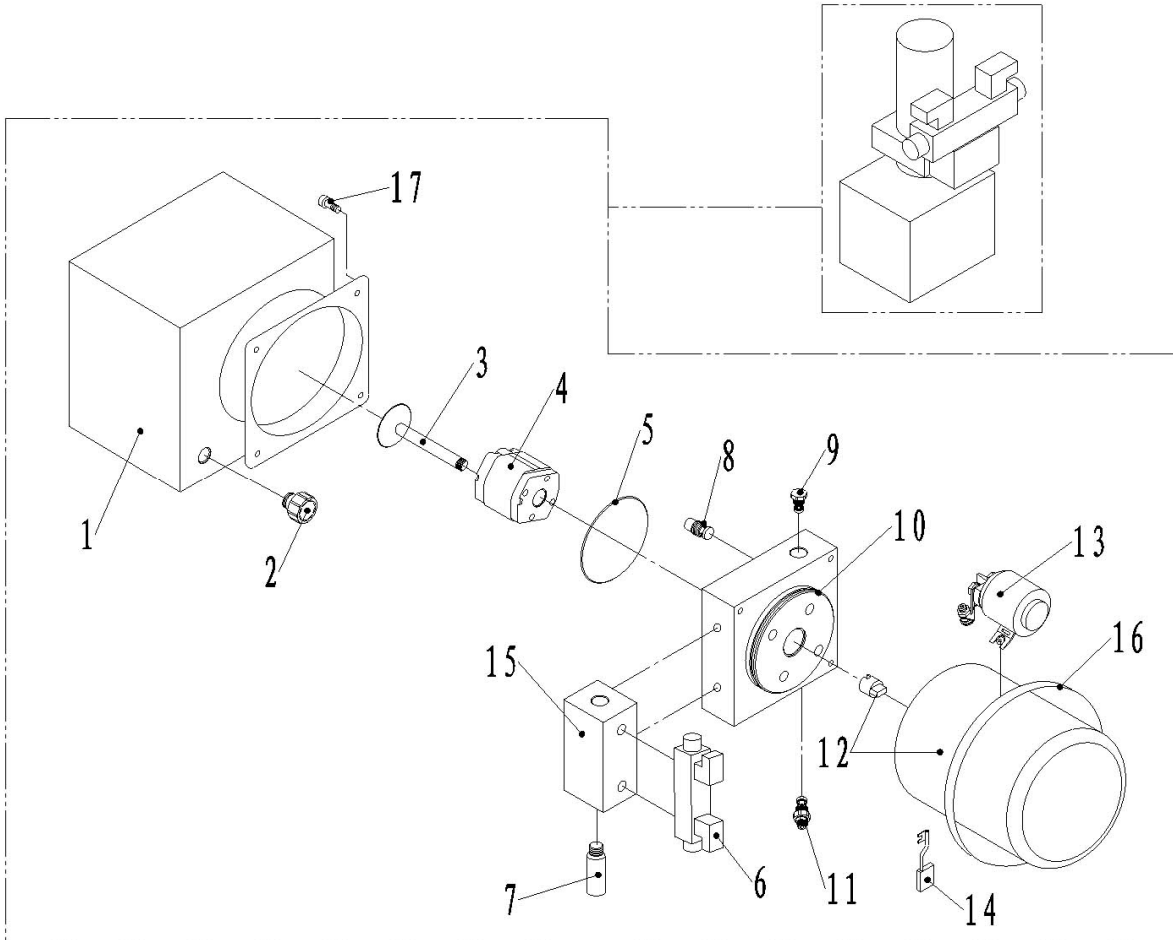


Fig. 9 Pump Assembly

No.	Parts No.	Description	Qty.	Note
1	2560200003	Oil cylinder	1	
2	2560200004	Oil filler plug	1	
3	2560200005	Oil filter	1	
4	2560200006	Gear pump	1	
5	2560222003	O-ring	1	
6	2560200007	Two-way solenoid valve	1	
7	2560200008	Transition joint	1	
8	2560200009	Throttle valve	1	
9	2560200010	Check valve	1	
10	2560200011	Center valve	1	
11	2560200012	Overflow valve	1	
12	2560200013	Motor	1	
13	2560200014	Pump contactor	1	
14	2560200015	Motor carbon brush	1	
15	2560200016	Stack block	1	
16	2560200017	Hoop	1	
17	2560200018	Screw	4	

Fig. 10 Cylinder assembly

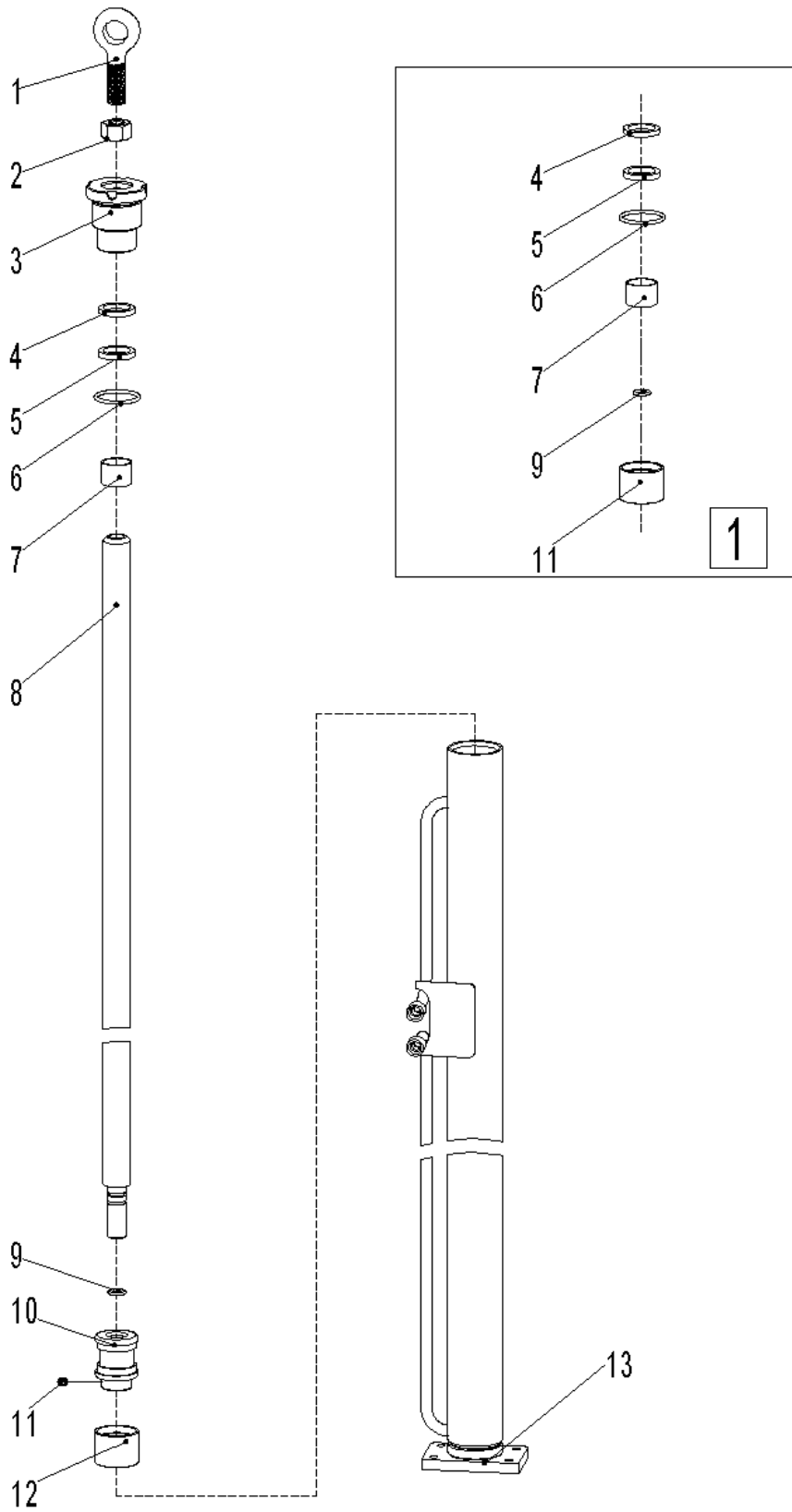


Fig. 10 Cylinder Assembly

No.	Parts No.	Description	Qty.	Note
1	9000012458	Linking ring	1	
2	0000024111	Nut	1	M16x1.5
3	9000012459	End cover	1	
4	2560222001	Dust ring	1	25X33X4.5
5	2560222002	Shaft seal	1	25X33X5
6	9000012467	O-ring	1	39.4X3.1
7	9000012466	Copper bushing	1	25X28X10
8	9000012465	Piston rod	1	(1300)
	9000012474	Piston rod	1	(800)
9	9000012468	O-ring	1	14x2.4
10	9000012460	Piston	1	
11	0000023880	Lock screw	1	M6X8
12	9000012461	Ring	1	40X30X16.4X6.35
13	9000012462	Cylinder body	1	(1300)
	9000012475	Cylinder body	1	(800)
□, 1	9000011696	Cylinder seal kits	1	LZ-PS05F-SF-2

Fig.11 Electrical assembly

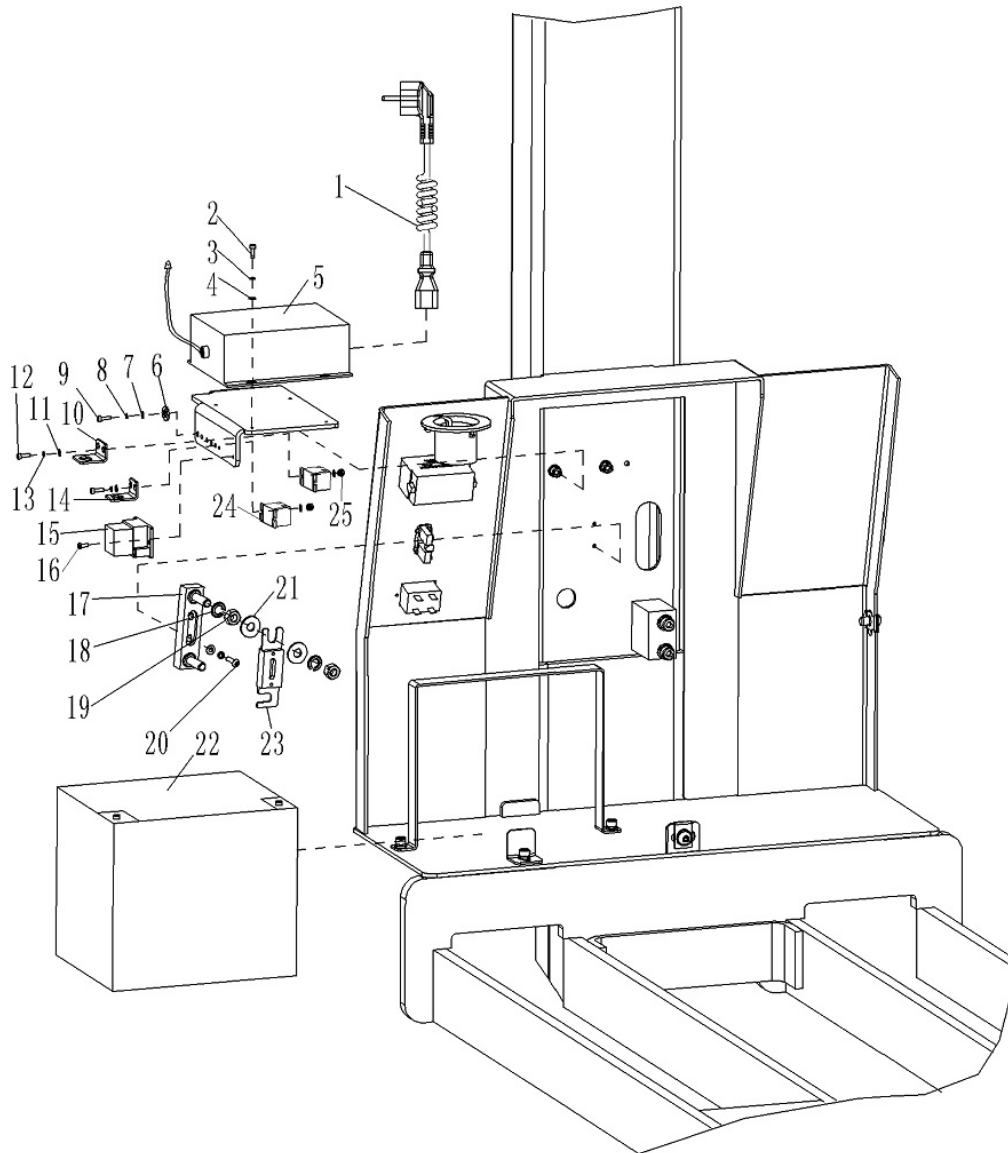


Fig. 11 Electrical Assembly

No.	Parts No.	Description	Qty.	Note
1	1010434009	Spring cord (Australian)	1	3*0.75
	1010434011	Spring cord (British)	1	3*0.75
	1010434012	Spring cord (European)	1	3*0.75
	2530334005	Spring cord (American)	1	3*0.75
	1010434023	Spring cord (Asian)	1	3*0.75
2	0000023516	Screw	4	
3	0000025015	Washer	6	
4	0000025014	Washer	6	
5	9000012708	Charger 12V5A	1	CDJ008-02-012TA-NL
6	1000425002	Washer 6	1	6
7	0000023055	Washer	1	6
8	0000025010	Washer	1	6
9	0000023053	Screw	1	M6×12
10	1020418001	Connector holder(4 cores)	1	
11	0000025014	Washer	4	5
12	0000023516	Screw	4	M5×10
13	0000025015	Washer	4	5
14	1010404005	Connector holder(2 cores)	1	
15	9000007607	protection module	1	BD-V-12
16	0000023071	Screw	2	M4×8
17	1000434007	Fuse seat SYY	1	
18	0000025001	Washer	4	8
19	0000024086	Nut	4	M8
20	0000023211	Screw	2	M4×16
21	0000025011	Washer	4	8
22	1070332001	Battery	1	12V/42Ah 5HR
23	1000434008	Fuse	1	100A
24	2500334005	Pump contactor	1	AR92-1Z DC12V
25	0000024035	Nut M5	2	M5

Fig. 12 Electrical assembly

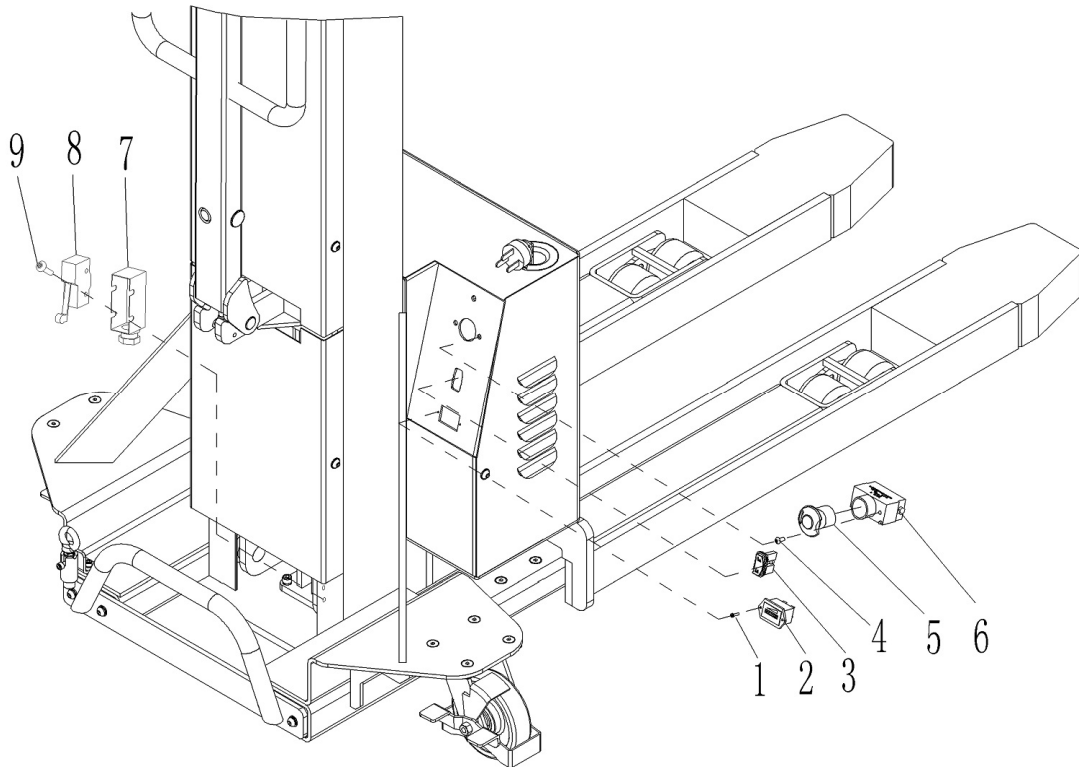


Fig. 12 Electrical Assembly

No.	Parts No.	Description	Qty.	Note
1	0000023648	Screw	2	M3
2	9000012709	Indicator	1	CURTIS 906
3	9000002376	Rocker switch	1	3203-00092-OV
4	0000023076	Screw	2	M5x12
5	9000002163	Emergency button key	1	S100/80
6	1070334008	Emergency button	1	S100/80
7	2040603002	Micro switch protective cover	1	
8	9000000794	Micro switch	1	RZ-15GW2S-B3
9	0000023033	Screw	2	M4x25

Fig. 13 Electrical drawing

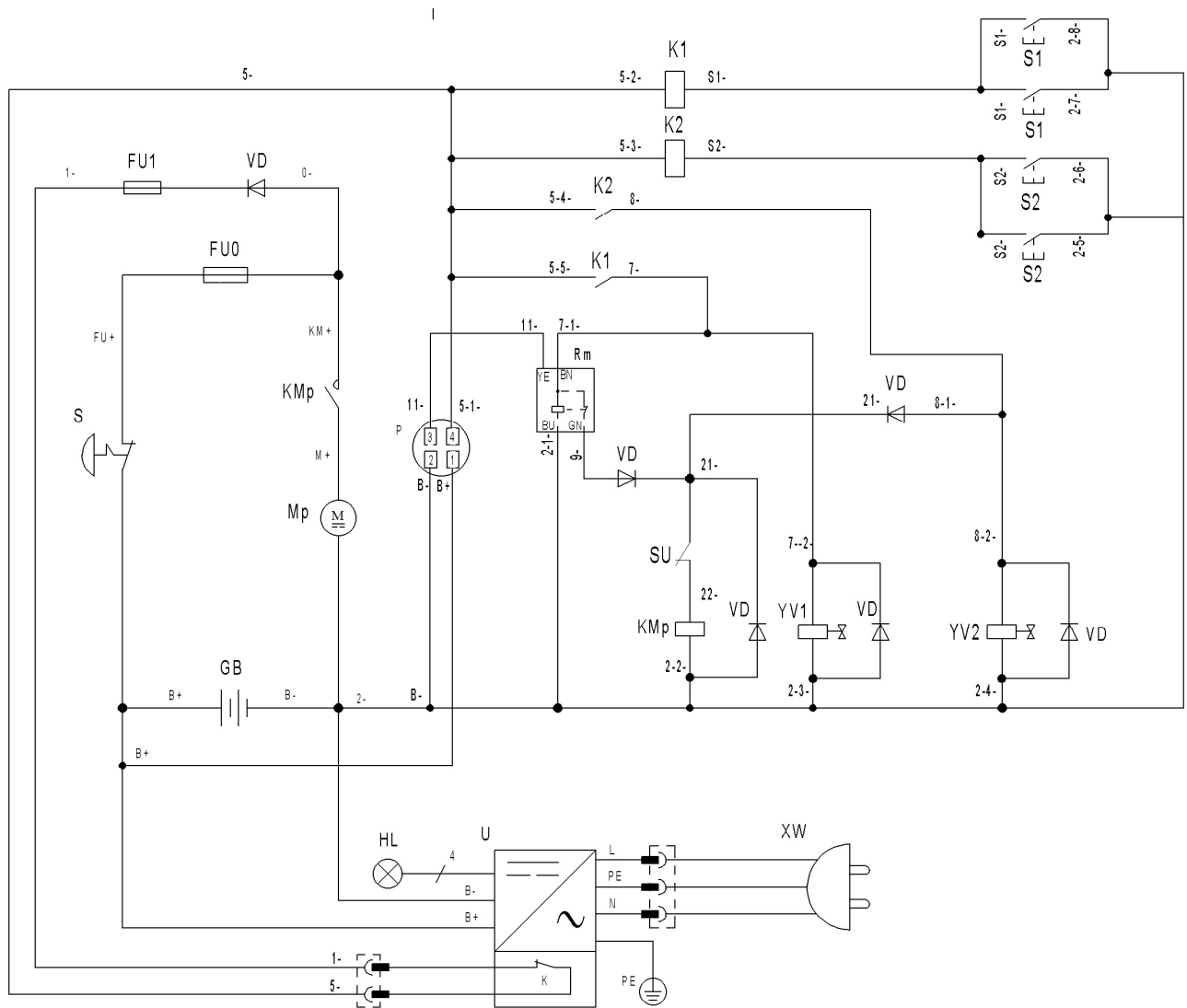


Fig. 14 Main cable diagram

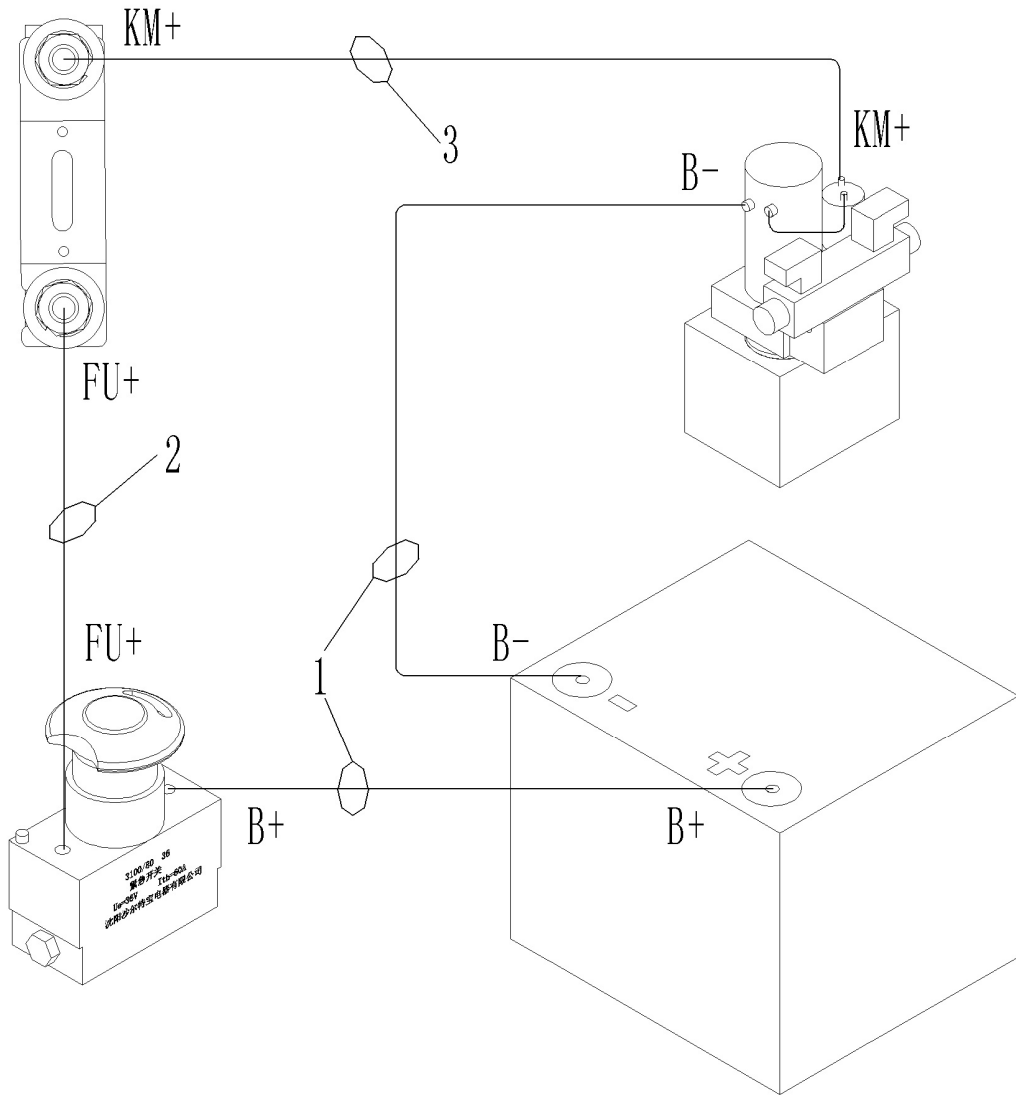


Fig. 14 Main Cable Diagram

No.	Parts No.	Description	Qty.	Note
1	9000014679	Battery cable	1	
2	9000014680	FU+cable	1	
3	9000014678	Pump motor cable	1	

Easy worn parts list

No.	Art No.	Description	Qty.	Fig./Position	Note
1	0000027068	Bearing 6203	8	Fig.3/3	Load wheel assembly
2	2560416002	Wheel	8	Fig.3/4	
3	9000011695	Wheel assembly	4	Fig.3/6	
4	2560416001	Transition wheel	2	Fig.4/5	Truck body assembly
5	0000027068	Bearing 6203	4	Fig.4/4	
6	9000011697	Wheel assembly	2	Fig.4/14	
7	2560222001	Dust ring25X33X4.5	1	Fig.10/4	Cylinder assembly
8	2560222002	Shaft seal 25X33X5	1	Fig.10/5	
9	9000012467	O-ring39.4X3.1	1	Fig.10/6	
10	9000012466	Copper bushing 25X28X10	1	Fig.10/7	
11	9000012468	O-ring 14x2.4	1	Fig.10/9	
12	9000012461	Ring 40X30X16.4X6.35	1	Fig.10/12	
13	9000011696	Cylinder seal kits	1	Fig.10/□,1	
14	2560200015	Motor carbon brush	1	Fig.9/14	Pump
15	0000013002	Bushing 20x22x12	1	Fig.5/5	Handle assembly
16	0090000141	Dowel pin 3x14	2	Fig.5/6	
17	9000011671	Roller	4	Fig.7/1	Fork assembly
18	9000007797	Bushing	4	Fig.7/2	
19	9000008152	Adjusting block	4	Fig.7/5	
20	1000413001	Bushing	1	Fig.7/21	
21	2130411001	Guide castor	2	Fig.6/6	Mast assembly
22	9000011680	Plastic drag chain	1	Fig.6/14	
23	1000434008	Fuse 100A	1	Fig.11/24	Electric assembly