

Print Number:

Print Date:

---

# NOBLELIFT

Material Handling

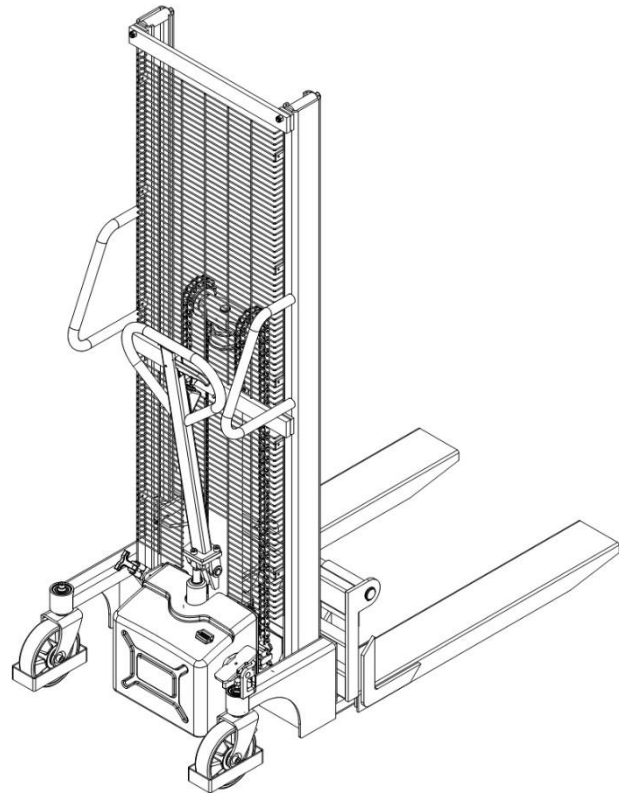


Scan QR Code for More

**Semi-electric Stacker ESFH10**

**PARTS MANUAL**

**403846020101**



Version V01

Truck Identification Number From:

Parts Manual ESFH10-PM01EN

Please order parts from authorized dealers of Noblelift Intelligent Equipment Co., LTD.

In order to avoid wrong delivery, all the orders for spare parts should specify the following items:

- Truck model, identification number and manufacture year.
- Orders for spare parts of mast, hydraulic transmission unit, steering axle, motor, etc. shall indicate the manufacture number of these parts.
- Codes for Noblelift spare parts are shown in the table of parts manual. Please also pay attention to the description of supply status, order quantity, etc. (check the number listed in "Mark" column of the parts manual).

"Mark" Column:

The unmarked indicates the parts are in short supply cycle.

Number 1: supply as package. Indicating these that parts are small parts and seal parts, which are supplied in package unit and supplied in short term.

Number 2: supply with constraints. Indicating that these spare parts are not in stock and will be prepared for production after receiving the order from customers, which are supplied in long term.

Number 3: phasing-out supply. Indicating that these parts will be replaced by new parts due to technical improvements and the current stock will not be available when these parts run out. Please check the description of technical improvements notice.

Number 4: supply as assembly. Indicating that these parts are assembly parts defined by manufacture process, which cannot be supplied as a single part.

Number 5: check other tables.

This parts manual is the property of Noblelift and can be shared under the confidential agreement only, Noblelift has the right to claim for compensation of any unauthorized use. Copy without permission is not allowed. Figures in the manual are not limited by the original design. Noblelift Intelligent Equipment Co., LTD reserves the right to improve the products for continuous technology progress.

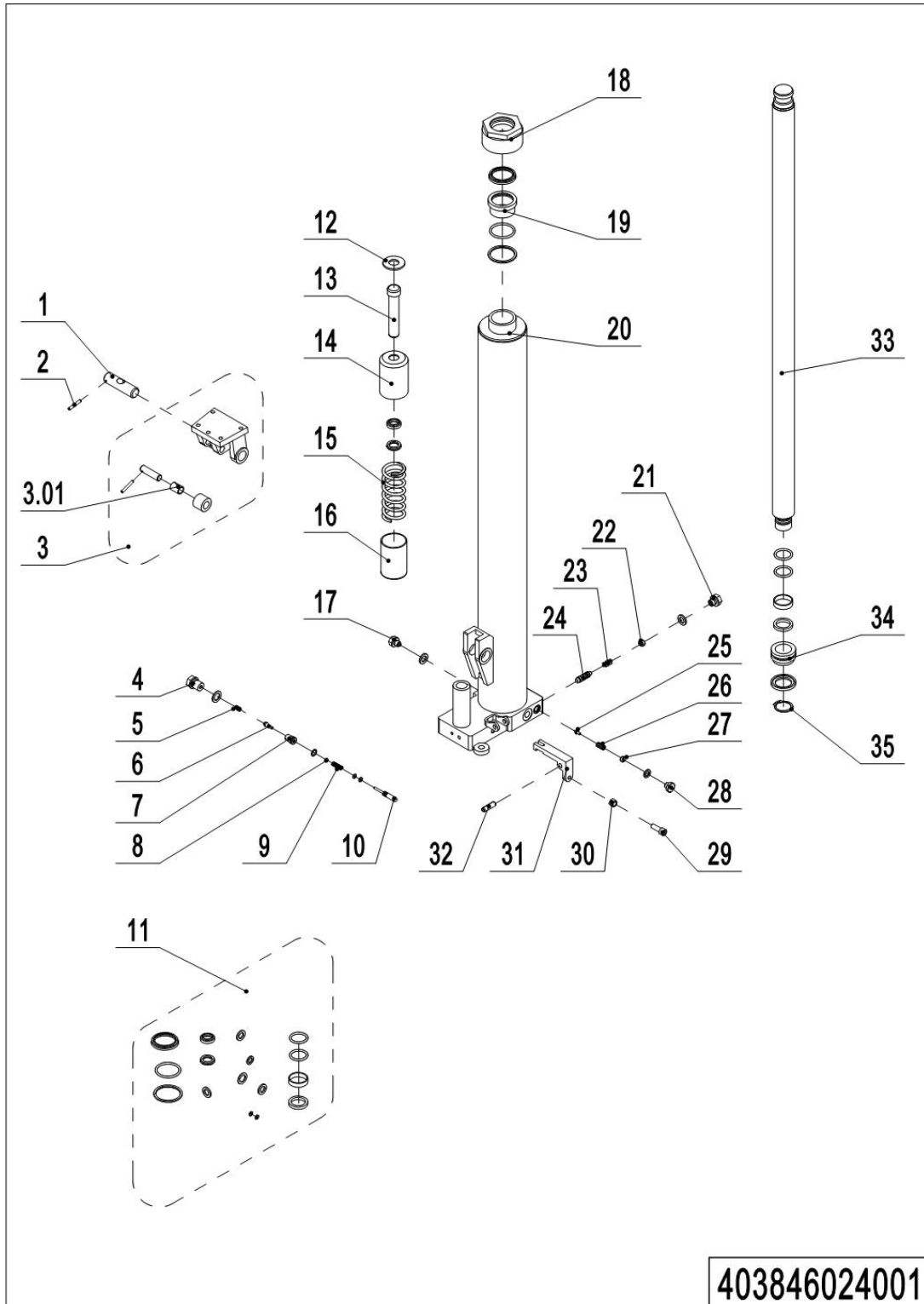
---

# Table of Contents

Chapter 1: Hydraulic System .....	4
01 Cylinder Components (403846024001).....	4
01 Cylinder Components (403846024001) Continuation.....	6
02 Hydraulic Components (403846024002).....	8
03 Hydraulic Unit (403846023501).....	10
Chapter 2: Truck Frame .....	12
01 Fork Carriage (Single Mast, Adjustable Forks) (403846038001) .....	12
02 Fork Carriage (Single Mast, Fixed Forks) (403846038002) .....	14
03 Fork Carriage (Two Stage Mast, Adjustable Forks) (403846038003).....	16
04 Fork Carriage (Two Stage Mast, Fixed Forks) (403846038004).....	18
Chapter 3: Mast System .....	20
01 Single Mast (403846043001).....	20
01 Single Mast (403846043001) Continuation.....	22
02 Two-stage Mast (403846044001) .....	24
02 Two-stage Mast (403846044001) Continuation .....	26
Chapter 4: Steering System, Braking System, Wheels .....	28
01 Tiller Unit (403846011001) .....	28
02 Load Wheel (321046017001) .....	30
03 Caster Assembly (321046016501).....	32
04 Caster Assembly (with brake) (403846016501) .....	34
Chapter 5: Electrical Parts .....	36
01 Wire Harness (403846033501) .....	36
02 Charger (403846036501) .....	38
Chapter 6: Others .....	40
01 Label and Decal (403846047002).....	40
Appendix.....	42
01 Electrical Circuit Diagram .....	42
02 Hydraulic Circuit Diagram .....	43
03 Consumable Parts List .....	44

## Chapter 1: Hydraulic System

### 01 Cylinder Components (403846024001)

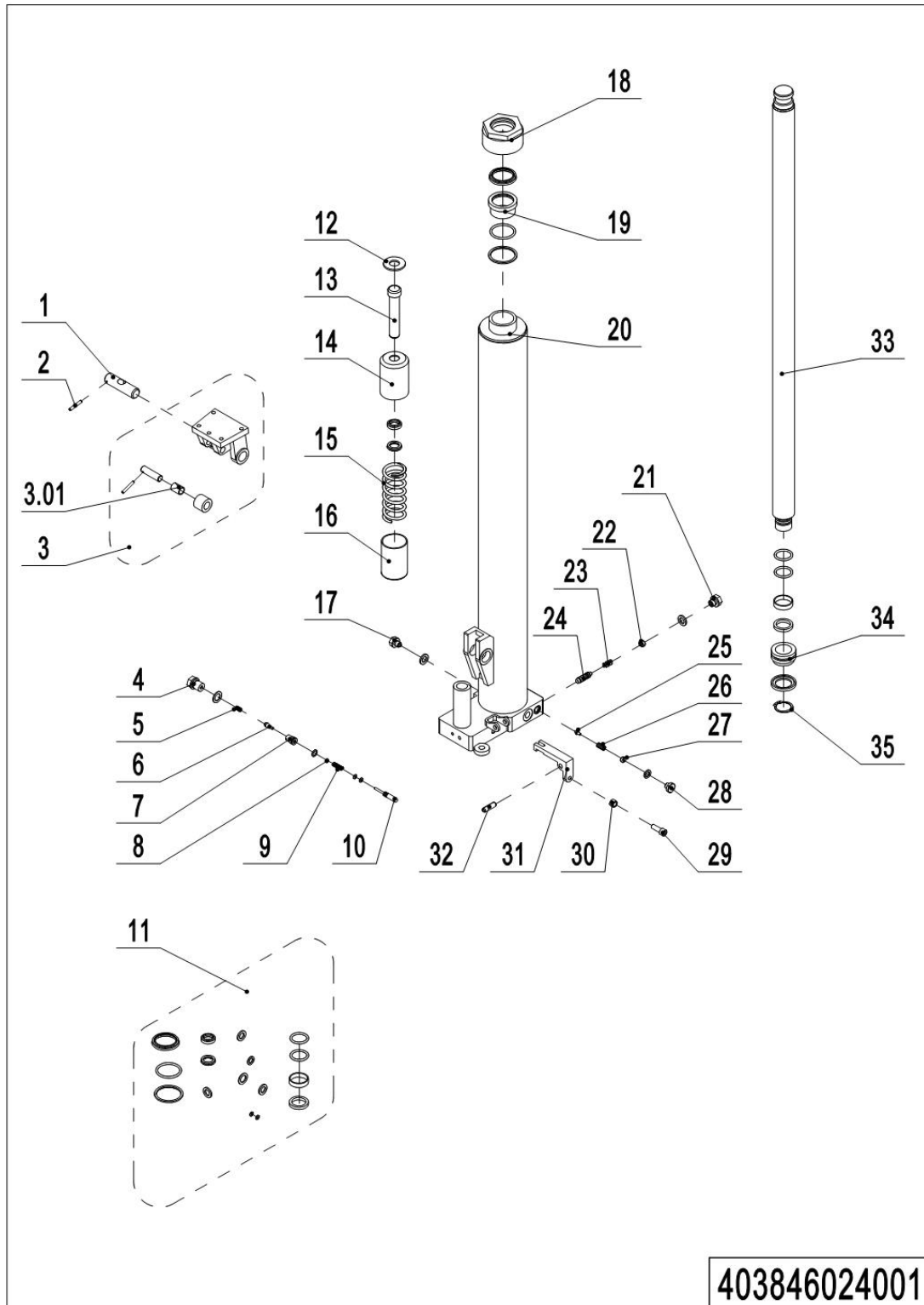


## 01 Cylinder Components (403846024001)

No.	Item Code	Mark	Item Description	Qty.	Substitute	Note
1	320443020027	2	Pin	1		
2	910600400015	1	Spring Pin	1		
3	403898510005	2	lifting block kits	1		
3.01	940500100001		Bushing	1		
4	321023520015	2	Plug	1		
5	940400500011	2	Spring	1		
6	320443020014	2	Valve Element	1		
7	321023520014	2	Valve Pocket	1		
8	910701100005	2	Steel Ball	1		
9	940400500021	2	Spring	1		
10	320443020030	2	Valve Arm	1		
11	403898510000		Seal Kit	1		1600
11	403898510001		Seal Kit	1		2500
12	320443020026	2	Press Plate	1		
13	320443020024	2	Piston Rod	1		
14	320443020025	2	Protective Cover	1		
15	940400500028	2	Spring	1		
16	320443020023	2	Spring Cup	1		
17	320443020013	2	Plug	1		
18	321023520004	2	End Cap	1		1600
18	321644020038	2	End Cap	1		2500
19	321023520002	2	Sleeve	1		1600
19	321623520002	2	Sleeve	1		2500
20	403824010000	2	Cylinder Body	1		1600
20	403824010001	2	Cylinder Body	1		2500
21	320443020010	2	Plug	1		
22	320443020011	2	Screw	1		
23	940400500063	2	Spring	1		
24	320443020012	2	Valve Element	1		
25	301523520017	2	Valve Element	1		

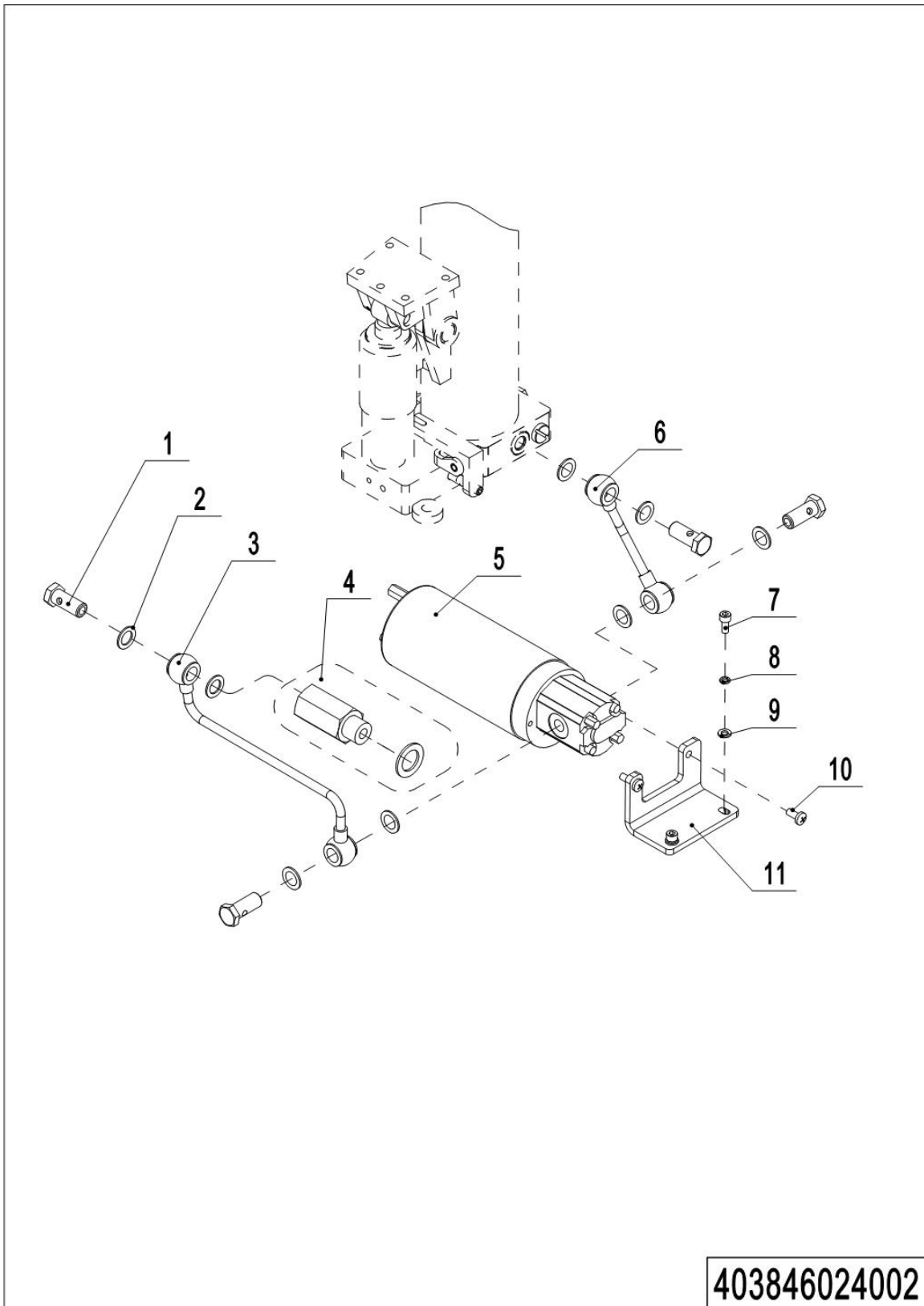
1= Supply as package. 2= Supply with constraints. 3= Phasing-out supply. 4= Supply as assembly. 5= Check other tables.

## 01 Cylinder Components (403846024001) Continuation



## 01 Cylinder Components (403846024001) Continuation

No.	Item Code	Mark	Item Description	Qty.	Substitute	Note
26	940400500026	2	Spring	1		
27	301523520030	2	Adjustment Screw	1		
28	301523520028	2	Plug	1		
29	910200200058	1	Screw	1		
30	910300100006	1	Nut	1		
31	301023520019	2	Oscillating Bar	1		
32	910600400048	1	Spring Pin	1		
33	321023520005	2	Piston Rod	1		1600
33	321644020045	2	Piston Rod	1		2500
34	403824020024	2	Piston	1		1600
34	403824020025	2	Piston	1		2500
35	910401300011	1	Circlip	1		1600
35	910401300016	1	Circlip	1		2500

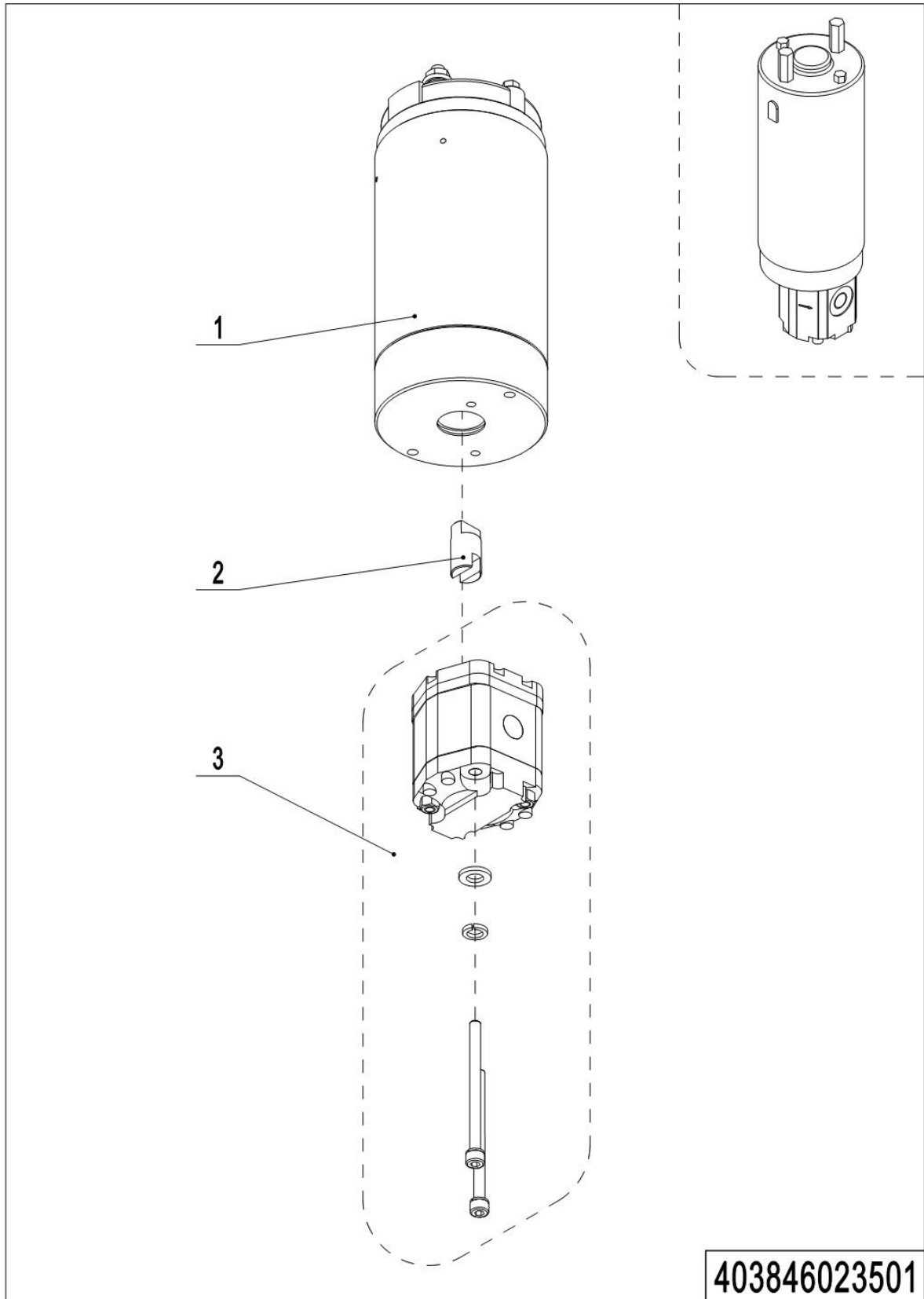
**02 Hydraulic Components (403846024002)**

1= Supply as package. 2= Supply with constraints. 3= Phasing-out supply. 4= Supply as assembly. 5= Check other tables.



## 02 Hydraulic Components (403846024002) Continuation

No.	Item Code	Mark	Item Description	Qty.	Substitute	Note
1	503224020005	2	Bolt	4		
2	910800900003	2	Bonded Washer	8		
3	403824020017	2	Steel Tube	1		
4	403823510001	2	Adapter Kits	1		
5	950900100095	2	Pump Unit	1		
6	403824020019	2	Steel Tube	1		
7	910200200035	1	Screw	2		
8	910400500005	1	Spring Washer	2		
9	910400100005	1	Flat Washer	2		
10	910200200033	1	Screw	2		
11	403824020018	2	Fixing Plate	1		

**03 Hydraulic Unit (403846023501)**

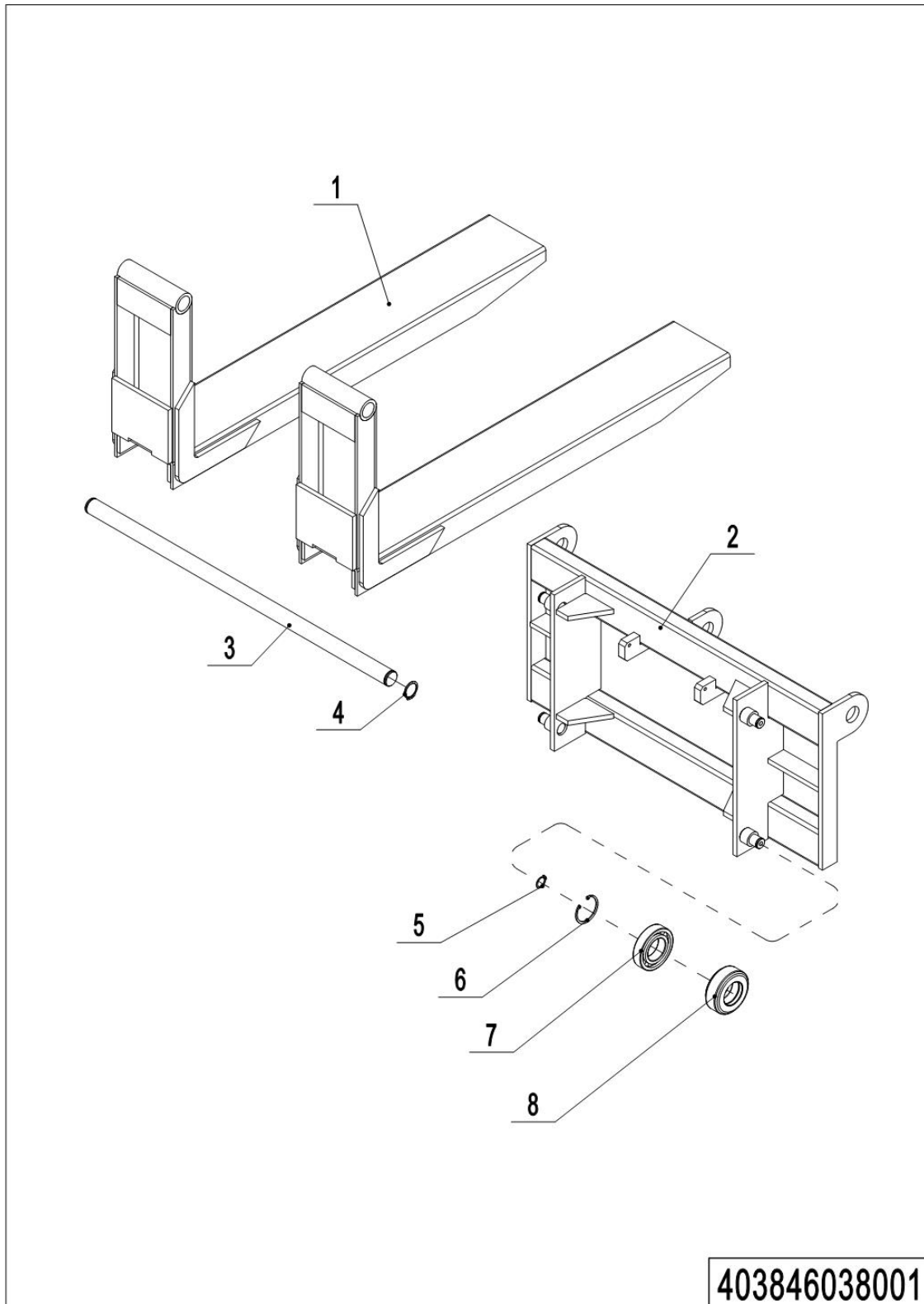
---

**03 Hydraulic Unit (403846023501)**

<b>No.</b>	<b>Item Code</b>	<b>Mark</b>	<b>Item Description</b>	<b>Qty.</b>	<b>Substitute</b>	<b>Note</b>
1	403898510002	2	Motor	1		
2	403898520001	2	Coupling	1		
3	403898510006	2	Gear Pump	1		

## Chapter 2: Truck Frame

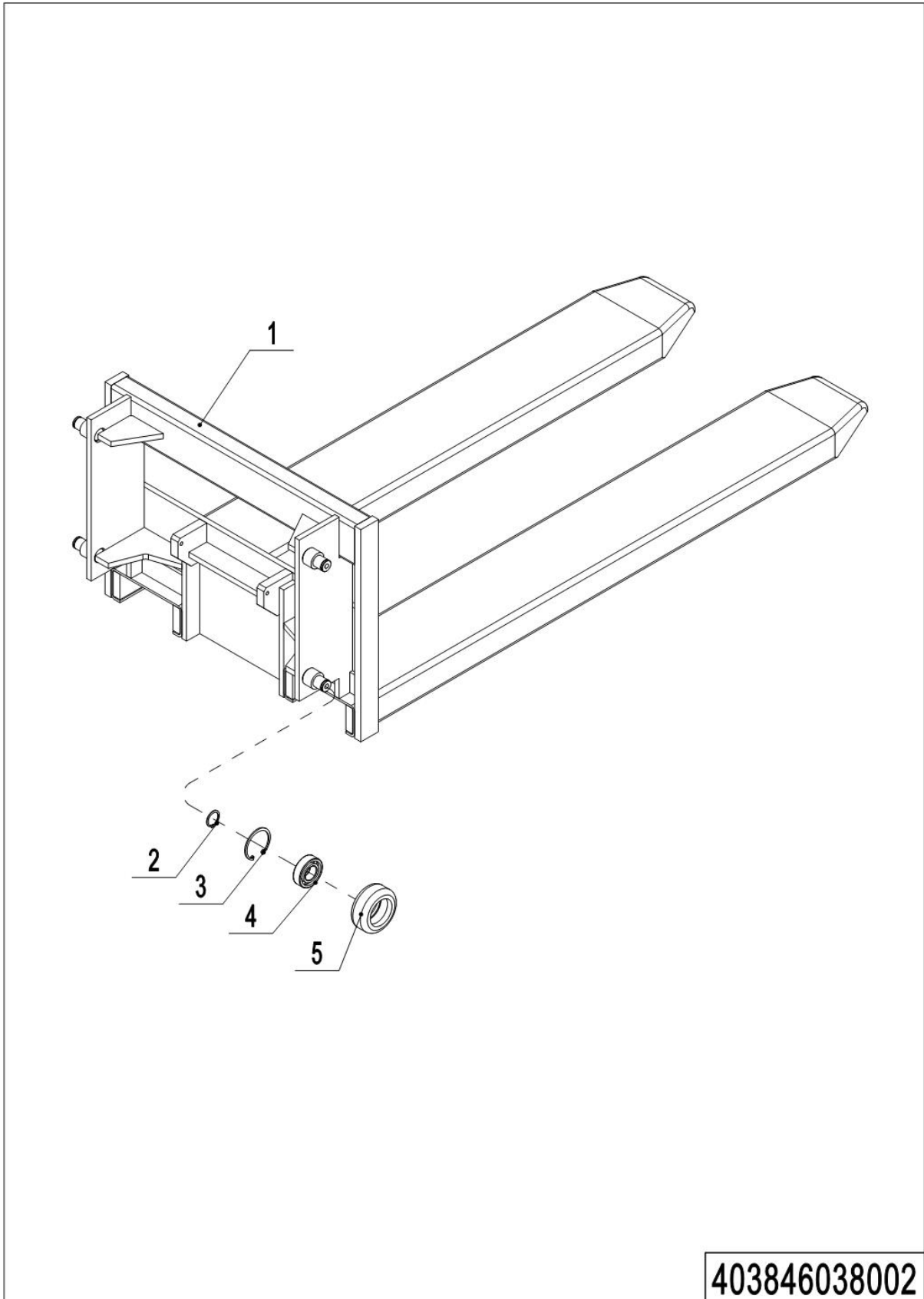
### 01 Fork Carriage (Single Mast, Adjustable Forks) (403846038001)



1= Supply as package. 2= Supply with constraints. 3= Phasing-out supply. 4= Supply as assembly. 5= Check other tables.

## 01 Fork Carriage (Single mast, adjustable forks) (403846038001)

No.	Item Code	Mark	Item Description	Qty.	Substitute	Note
1	321038010002	2	Fork	2		900
1	321038010006	2	Fork	2		1100
1	321038010007	2	Fork	2		1150
2	403838010000	2	Fork Carriage	1		
3	321038020000	2	Axle	1		
4	910401300017	1	Circlip	4		
5	910401300011	1	Circlip	4		
6	910401400013	1	Circlip	4		
7	910700200019	1	Bearing	4		
8	321638020016	2	Roller	4		

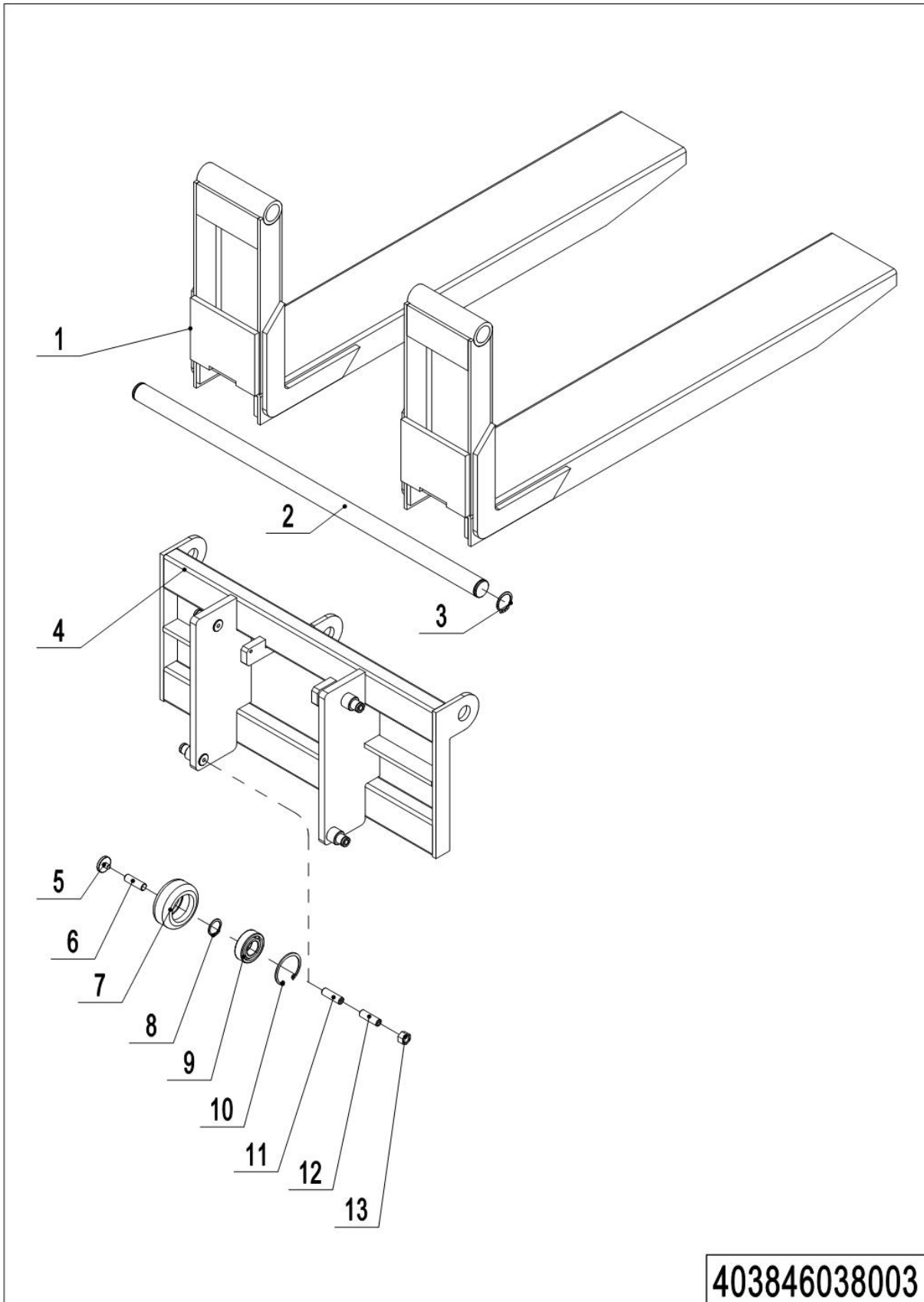
**02 Fork Carriage (Single Mast, Fixed Forks) (403846038002)**

1= Supply as package. 2= Supply with constraints. 3= Phasing-out supply. 4= Supply as assembly. 5= Check other tables.

---

**02 Fork Carriage (Single mast, fixed forks) (403846038002)**

<b>No.</b>	<b>Item Code</b>	<b>Mark</b>	<b>Item Description</b>	<b>Qty.</b>	<b>Substitute</b>	<b>Note</b>
1	403838010002	2	Fork	1		550x1150
2	910401300011	1	Circlip	4		
3	910401400013	1	Circlip	4		
4	910700200019	1	Bearing	4		
5	321638020016	2	Roller	4		

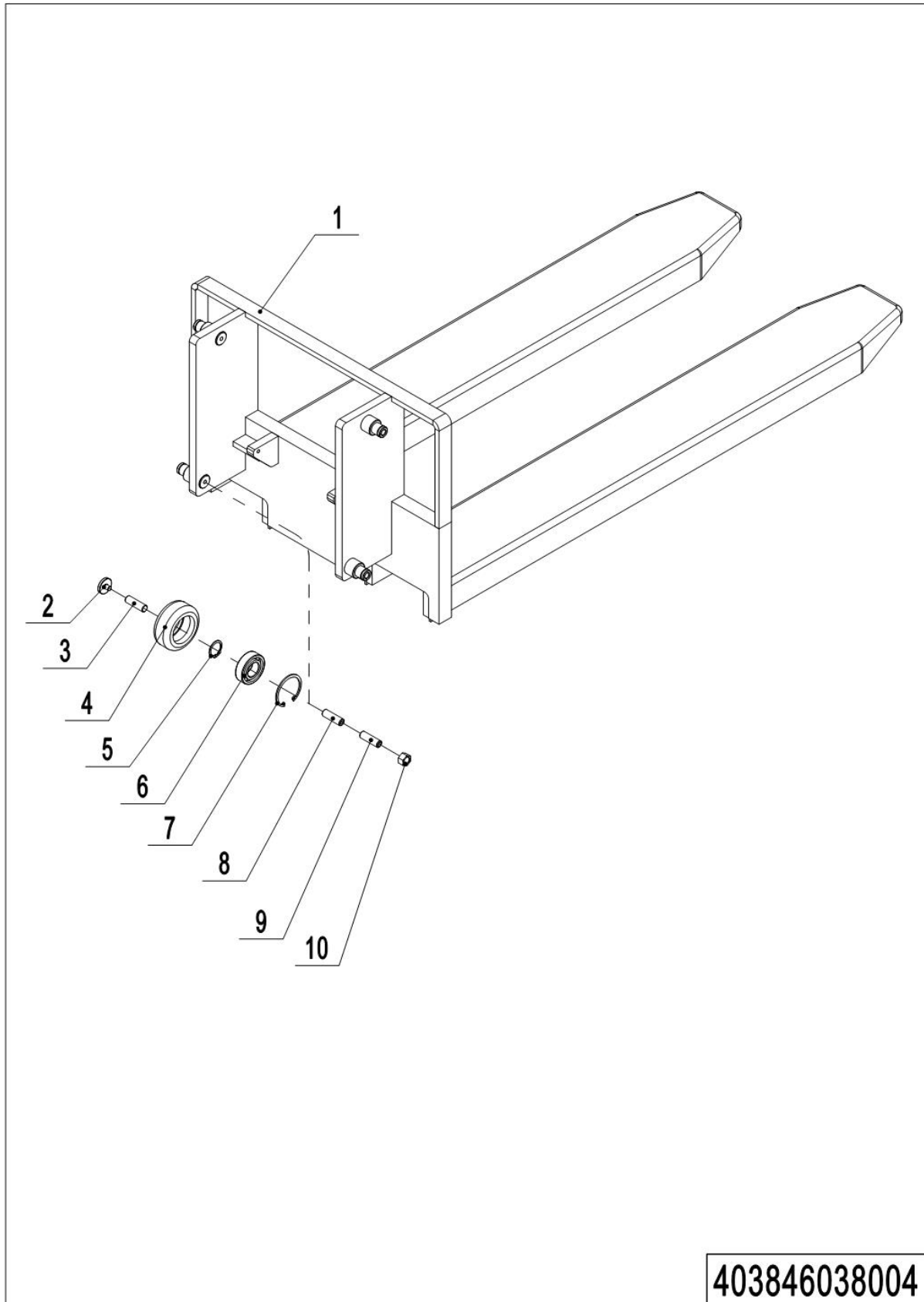
**03 Fork Carriage (Two Stage Mast, Adjustable Forks) (403846038003)**

1= Supply as package. 2= Supply with constraints. 3= Phasing-out supply. 4= Supply as assembly. 5= Check other tables.



## 03 Fork Carriage (Two-stage mast, adjustable forks) (403846038003)

No.	Item Code	Mark	Item Description	Qty.	Substitute	Note
1	402938010000	2	Fork	2		900
1	321038010009	2	Fork	2		1100
1	321038010008	2	Fork	2		1150
2	321038020000	2	Axle	1		
3	910401300017	1	Circlip	4		
4	403838010003	2	Fork Carriage	1		
5	536844020012	2	Subplate	4		
6	910600100029	1	Cylindrical Pin	4		
7	321644020016	2	Roller	4		
8	910401300011	1	Circlip	4		
9	910700200019	1	Bearing	4		
10	910401400013	1	Circlip	4		
11	910200800020	1	Screw	4		
12	910200800021	1	Screw	4		
13	910300100006	1	Nut	4		

**04 Fork Carriage (Two Stage Mast, Fixed Forks) (403846038004)**

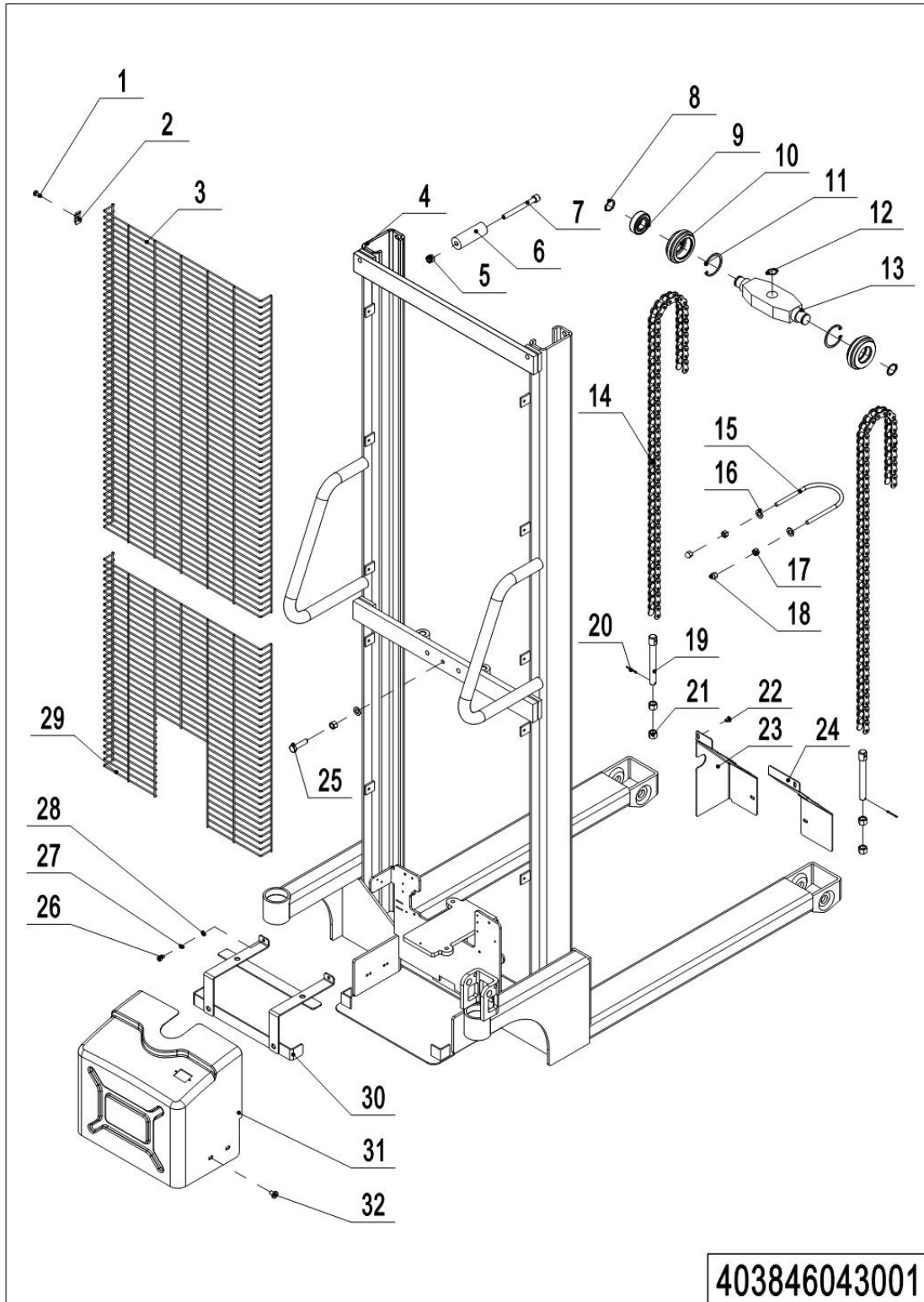
1= Supply as package. 2= Supply with constraints. 3= Phasing-out supply. 4= Supply as assembly. 5= Check other tables.

## 04 Fork Carriage (Two-stage mast, fixed forks) (403846038004)

No.	Item Code	Mark	Item Description	Qty.	Substitute	Note
1	403838010001	2	Fork	1		
2	536844020012	2	Subplate	4		
3	910600100029	1	Cylindrical Pin	4		
4	321644020016	2	Roller	4		
5	910401300011	1	Circlip	4		
6	910700200019	1	Bearing	4		
7	910401400013	1	Circlip	4		
8	910200800020	1	Screw	4		
9	910200800021	1	Screw	4		
10	910300100006	1	Nut	4		

## Chapter 3: Mast System

### 01 Single Mast (403846043001)



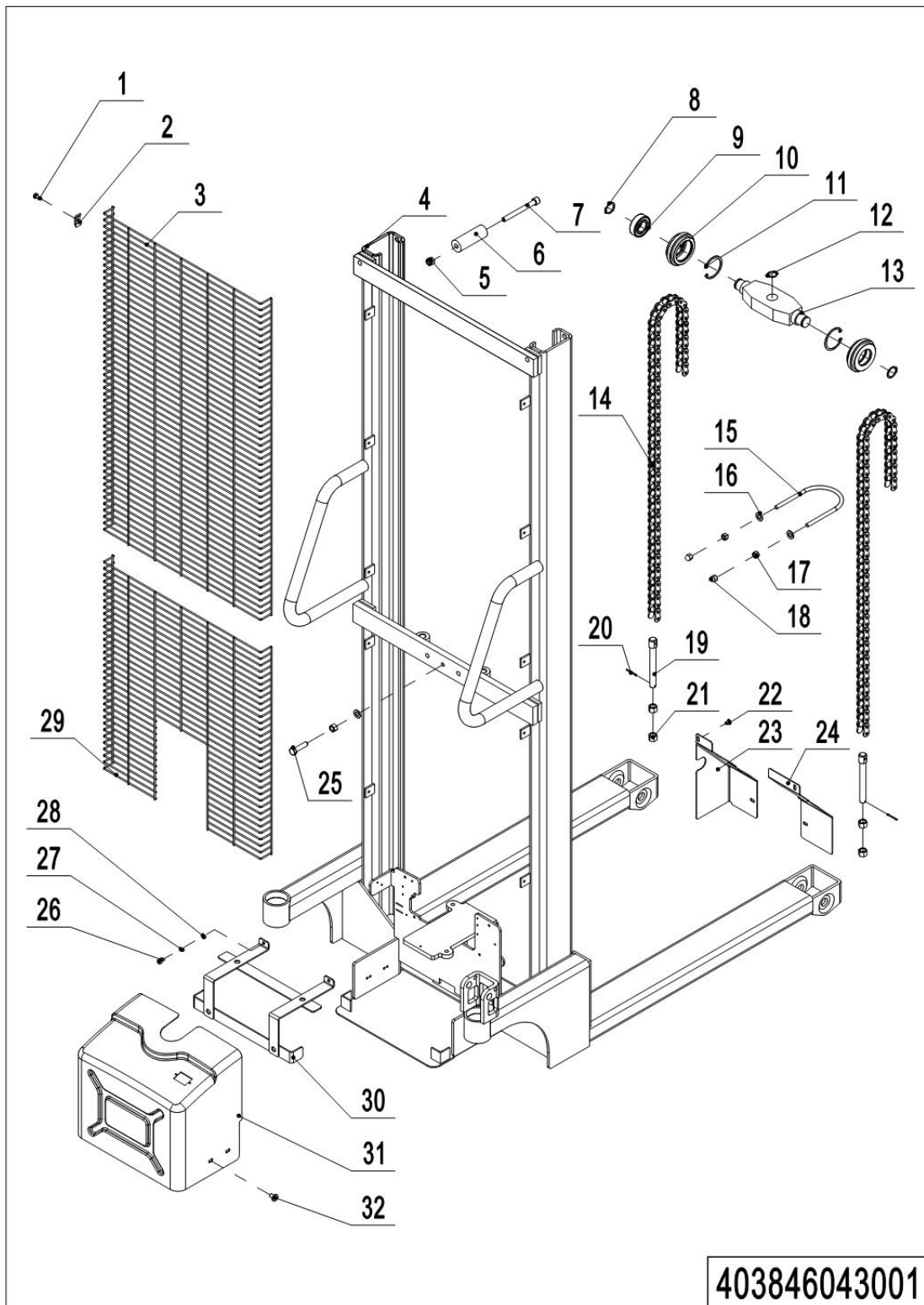
403846043001

## 01 Single Mast (403846043001)

No.	Item Code	Mark	Item Description	Qty.	Substitute	Note
1	910200500052	1	Screw	10		
2	320443020321	2	Press Plate	10		
3	321043020003	2	Protective Cover	1		
4	403843010000	2	Mast (adjustable forks)	1		With lower cover
4	403843010001	2	Mast (fixed forks)	1		With lower cover
4	403843010002	2	Mast (adjustable forks)	1		
4	403843010003	2	Mast (fixed forks)	1		
5	910300500005	1	Nut	2		
6	403843020021	2	Stop Sleeve	2		
7	910200200175	1	Screw M10x140	2		
8	910401300011	1	Circlip	1		
9	910700200019	1	Bearing	2		
10	940200400009	2	Sprocket	2		
11	910401400013	1	Circlip	2		
12	910401300014	1	Circlip	2		
13	321043020001	2	Plate	1		
14	403843020022	2	Chain	2		Fixed forks
14	321043020008	2	Chain	2		Adjustable forks
15	321043020002	2	Bolt	1		
16	910400100007	1	Flat Washer	3		
17	910300100007	1	Nut	3		
18	910301000001	1	Nut	2		
19	532024020002	2	Chain Anchor	2		
20	910600600019	1	Cotter Pin	2		
21	910300100009	1	Nut	4		
22	910200300016	1	Screw	4		
23	403843020024	2	Baffle	1		
24	403843020023	2	Baffle	1		
25	910100300037	1	Bolt	1		
26	910200200146	1	Screw	2		

1= Supply as package. 2= Supply with constraints. 3= Phasing-out supply. 4= Supply as assembly. 5= Check other tables.

## 01 Single Mast (403846043001) Continuation

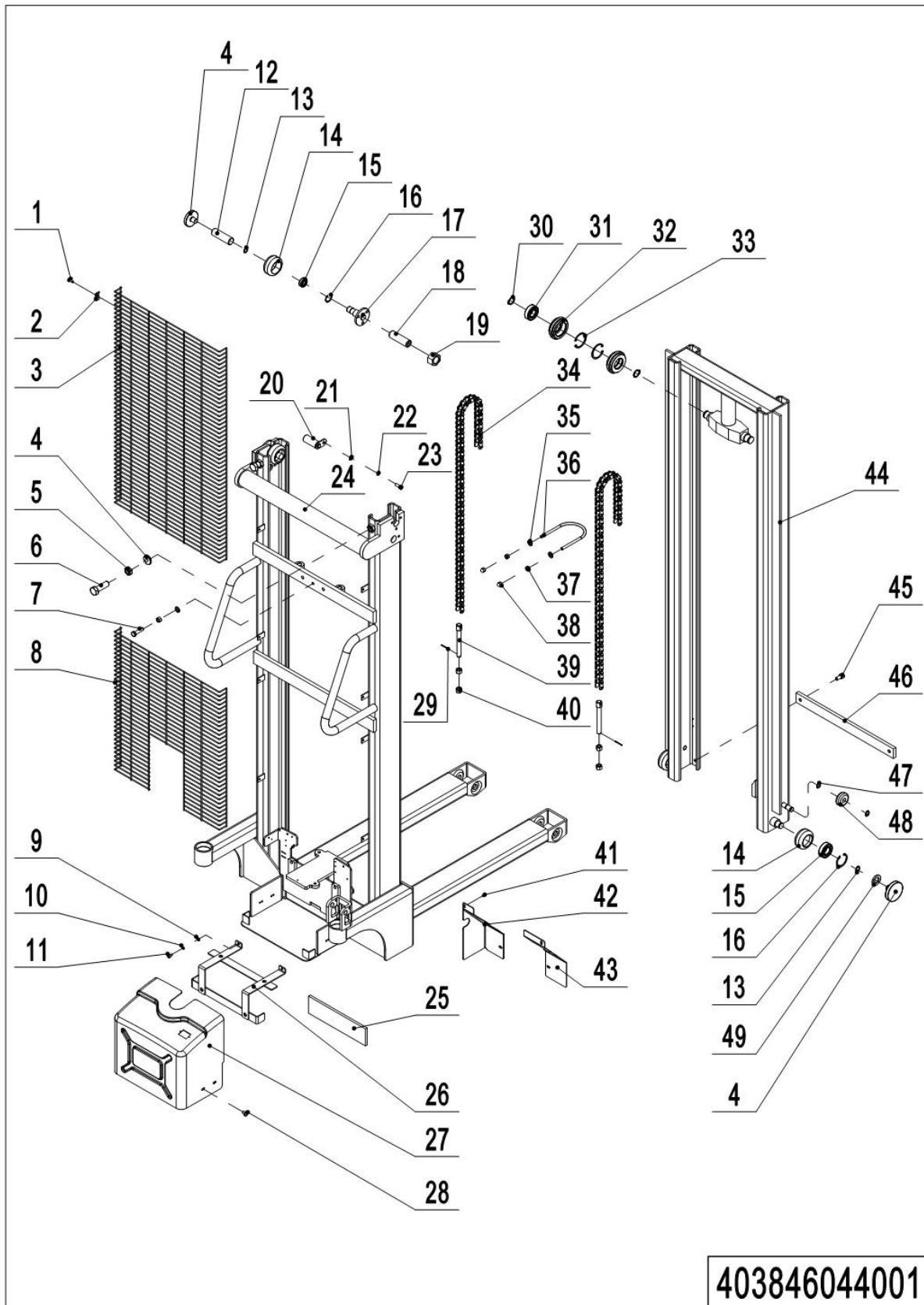


1= Supply as package. 2= Supply with constraints. 3= Phasing-out supply. 4= Supply as assembly. 5= Check other tables.

## 01 Single Mast (403846043001) Continuation

No.	Item Code	Mark	Item Description	Qty.	Substitute	Note
27	910400500005	1	Spring Washer	2		
28	910400100005	1	Flat Washer	2		
29	403844020013	2	Protective Cover	1		Optional
30	403837010000	2	Fixing Mount	1		
31	403843020009	2	Protective Cover	1		
32	910200200032	1	Screw	4		

**02 Two-stage Mast (403846044001)**



1= Supply as package. 2= Supply with constraints. 3= Phasing-out supply. 4= Supply as assembly. 5= Check other tables.

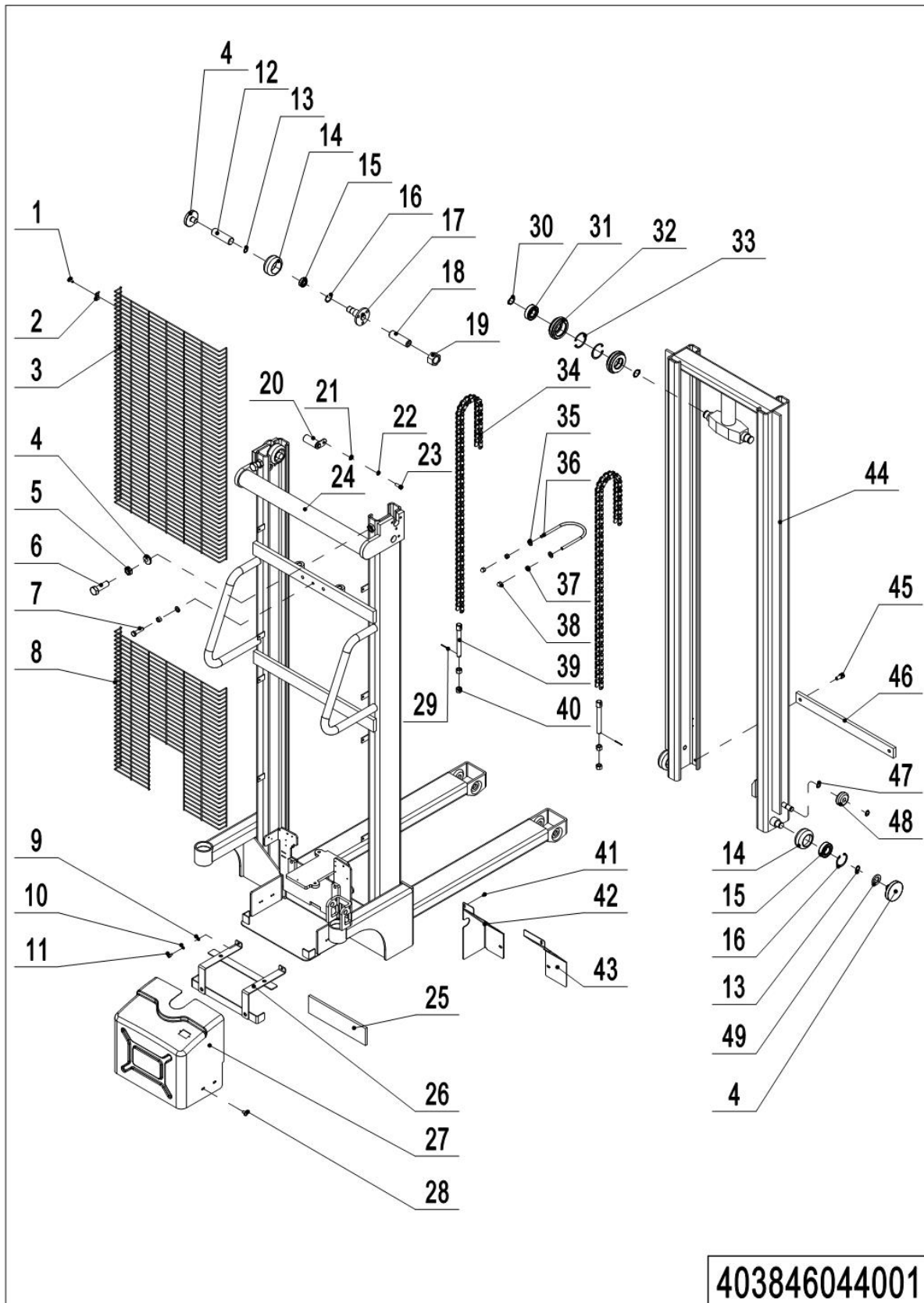


## 02 Two-stage Mast (403846044001)

No.	Item Code	Mark	Item Description	Qty.	Substitute	Note
1	910200500052	1	Screw	10		
2	320443020321	2	Press Plate	10		
3	321043020003	2	Protective Cover	1		
4	536844020012		Subplate	6		
5	910300400007	1	Nut	2		
6	403844020017	2	Bolt	2		
7	910100300039	1	Bolt	1		
8	403844020013	2	Protective Cover	1		Optional
9	910400100005	1	Flat Washer	2		
10	910400500005	1	Spring Washer	2		
11	910200200038	1	Screw	2		
12	910600100031	1	Cylindrical Pin	2		
13	910401300011	1	Circlip	4		
14	321644020016	2	Roller	4		
15	910700200019	1	Bearing	4		
16	910401400013	1	Circlip	4		
17	403844010007	2	Axle	2		
18	910200800024		Screw	2		
19	910300100006	1	Nut	2		
20	403844010004	2	Pin	2		
21	910200200056	1	Screw	2		
22	910400500006	1	Spring Washer	2		
23	910400100006	1	Flat Washer	2		
24	403844010000	2	Mast (fixed forks)	1		With lower cover
24	403844010003	2	Mast (adjustable forks)	1		With lower cover
24	403844010005	2	Mast (fixed forks)	1		
24	403844010006	2	Mast (adjustable forks)	1		
25	403844020014	2	Crash Pad	2		
26	403837010000	2	Fixing Mount	1		
27	403843020009	2	Protective Cover	1		

1= Supply as package. 2= Supply with constraints. 3= Phasing-out supply. 4= Supply as assembly. 5= Check other tables.

## 02 Two-stage Mast (403846044001) Continuation



1= Supply as package. 2= Supply with constraints. 3= Phasing-out supply. 4= Supply as assembly. 5= Check other tables.

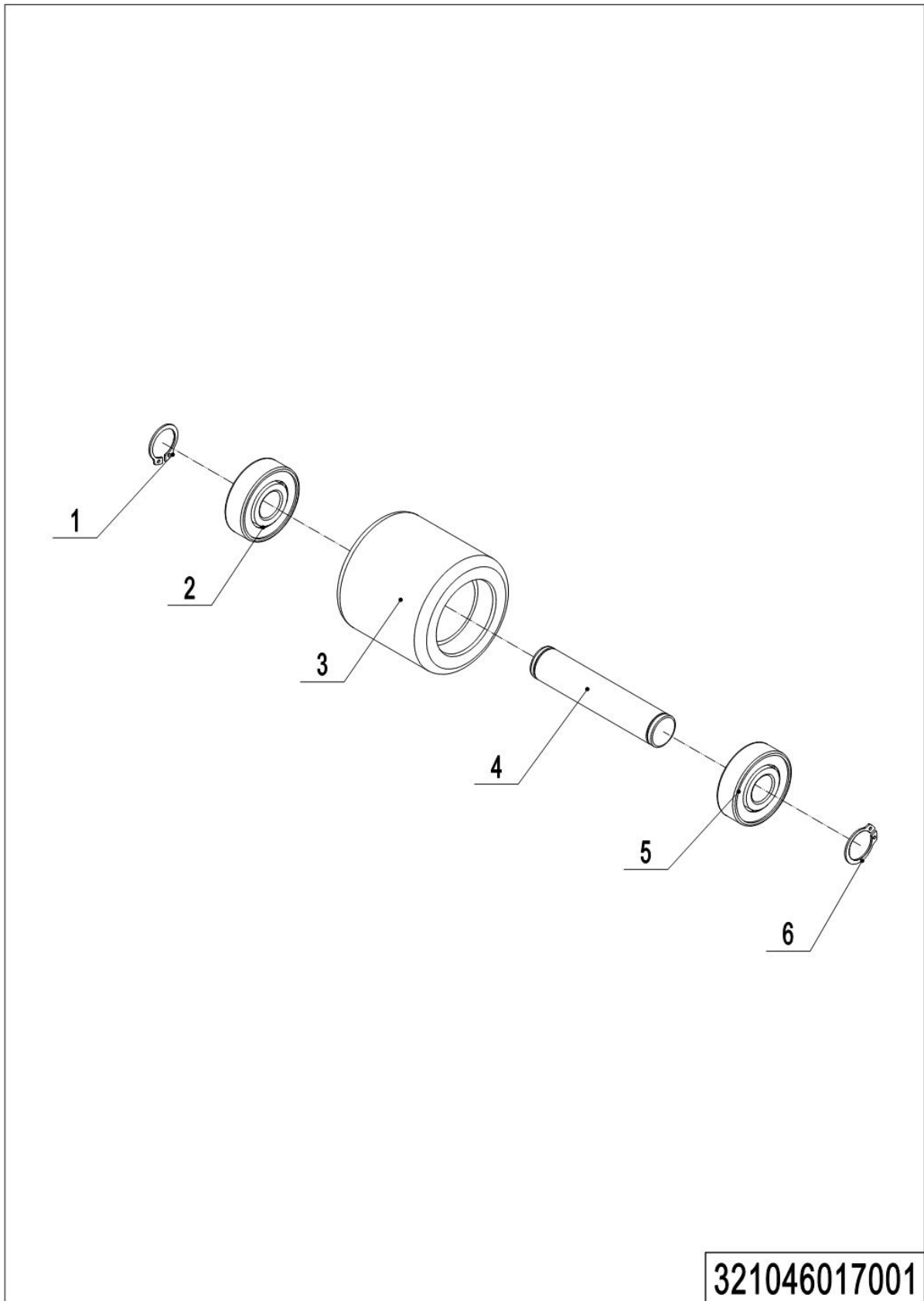
## 02 Two-stage Mast (403846044001) Continuation

No.	Item Code	Mark	Item Description	Qty.	Substitute	Note
28	910200200032	1	Screw	4		
29	910600600019	1	Cotter Pin	2		
30	910401300014	1	Circlip	2		
31	910700200020	1	Bearing	2		
32	940200400010	2	Sprocket	2		
33	910401400016	1	Circlip	2		
34	403343020002	2	Chain	2		Fixed forks
34	401144010030	2	Chain	2		Adjustable forks
35	910400100007	1	Flat Washer	3		
36	321043020002	2	Bolt	1		
37	910300100007	1	Nut	3		
38	910301000001	1	Nut	2		
39	532024020002	2	Chain Anchor	2		
40	910300100009	1	Nut	2		
41	910200300016	1	Screw	4		
42	403843020024	2	Baffle	1		
43	403843020023	2	Baffle	1		
44	403844010001	2	Inner Mast	1		
45	910200200074	1	Screw	2		
46	402943020008	2	Plate	1		
47	910401300006	1	Circlip	4		
48	321644020028	2	Roller	2		
49	940600500020	2	Washer	4		



## 01 Tiller Unit (403846011001)

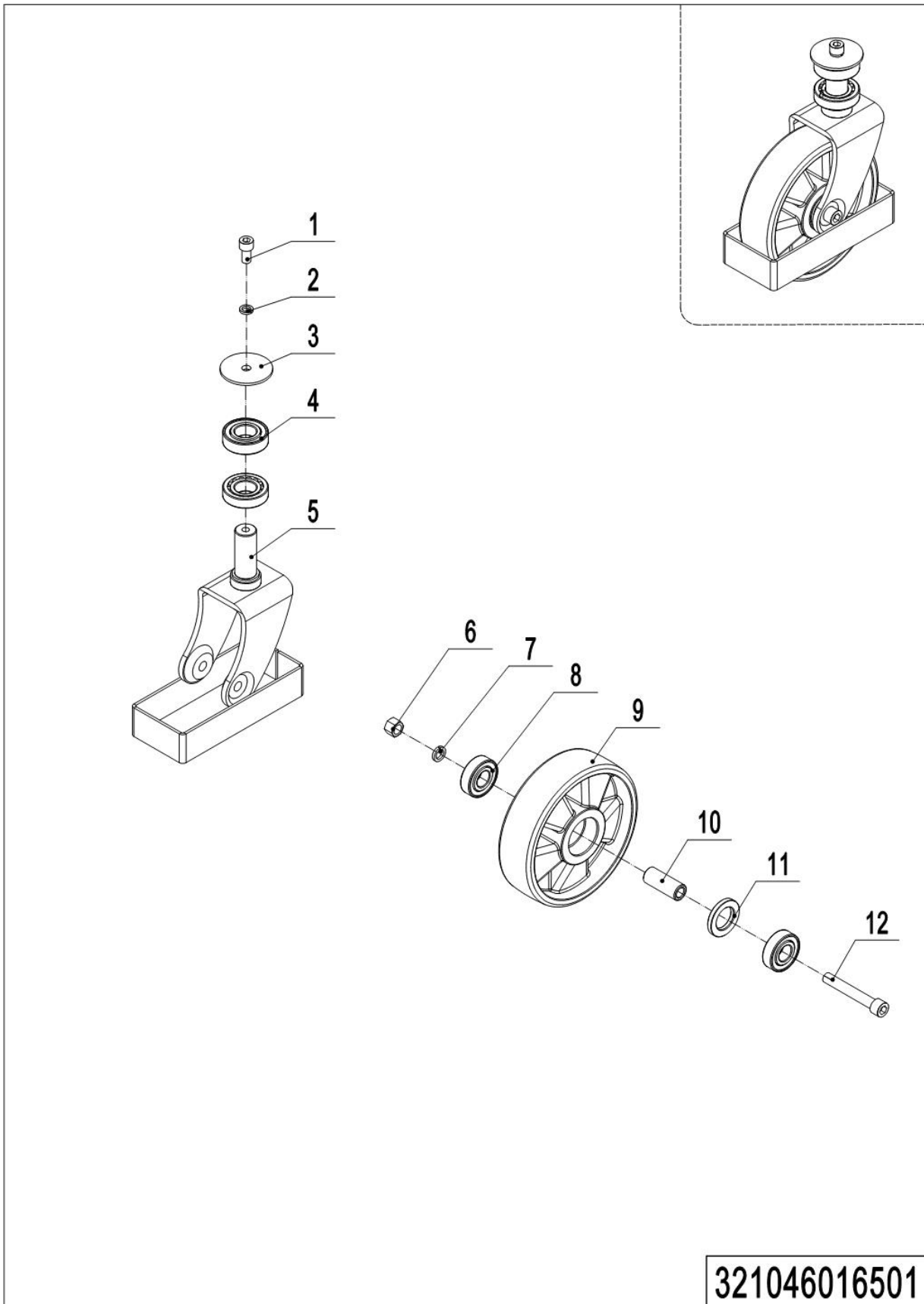
No.	Item Code	Mark	Item Description	Qty.	Substitute	Note
1	300511020017	2	Jacket	1		
2	403811010001	2	Tiller	1		
3	910200200076	1	Screw	3		
4	910400500007	1	Spring Washer	3		
5	910400100007	1	Flat Washer	3		
6	921300200001	2	Cable Clamp	1		
7	910200500034	1	Screw	1		
8	403811020003	2	Mounting Plate	1		
9	910200300007	1	Screw	4		
10	910600400015	1	Spring Pin	1		
11	302511020000	2	Leaf Spring	1		
12	940400700002	2	Spring	1		
13	910600400011	1	Spring Pin	1		
14	301011020004	2	Roller	1		
15	301011020002	2	Finger Lever	1		
16	910600400038	1	Spring Pin	1		
17	910200200015	1	Screw	4		
18	502011020020	2	Bezel	1		
19	403833010004	2	Wire Harness	1		
20	403898510004	2	Link Rod Kits	1		

**02 Load Wheel (321046017001)**

1= Supply as package. 2= Supply with constraints. 3= Phasing-out supply. 4= Supply as assembly. 5= Check other tables.

## 02 Load Wheel (321046017001)

No.	Item Code	Mark	Item Description	Qty.	Substitute	Note
1	910401300011	1	Circlip	4		
2	910700200019	1	Bearing	4		
3	940300201020		Wheel $\Phi$ 74x70	2		PU, Red
3	940300202006		Wheel	2		Nylon
3	940300201021		Wheel $\Phi$ 74x70	2		PU, Yellow
4	402917020000	2	Axle	2		

**03 Caster Assembly (321046016501)**

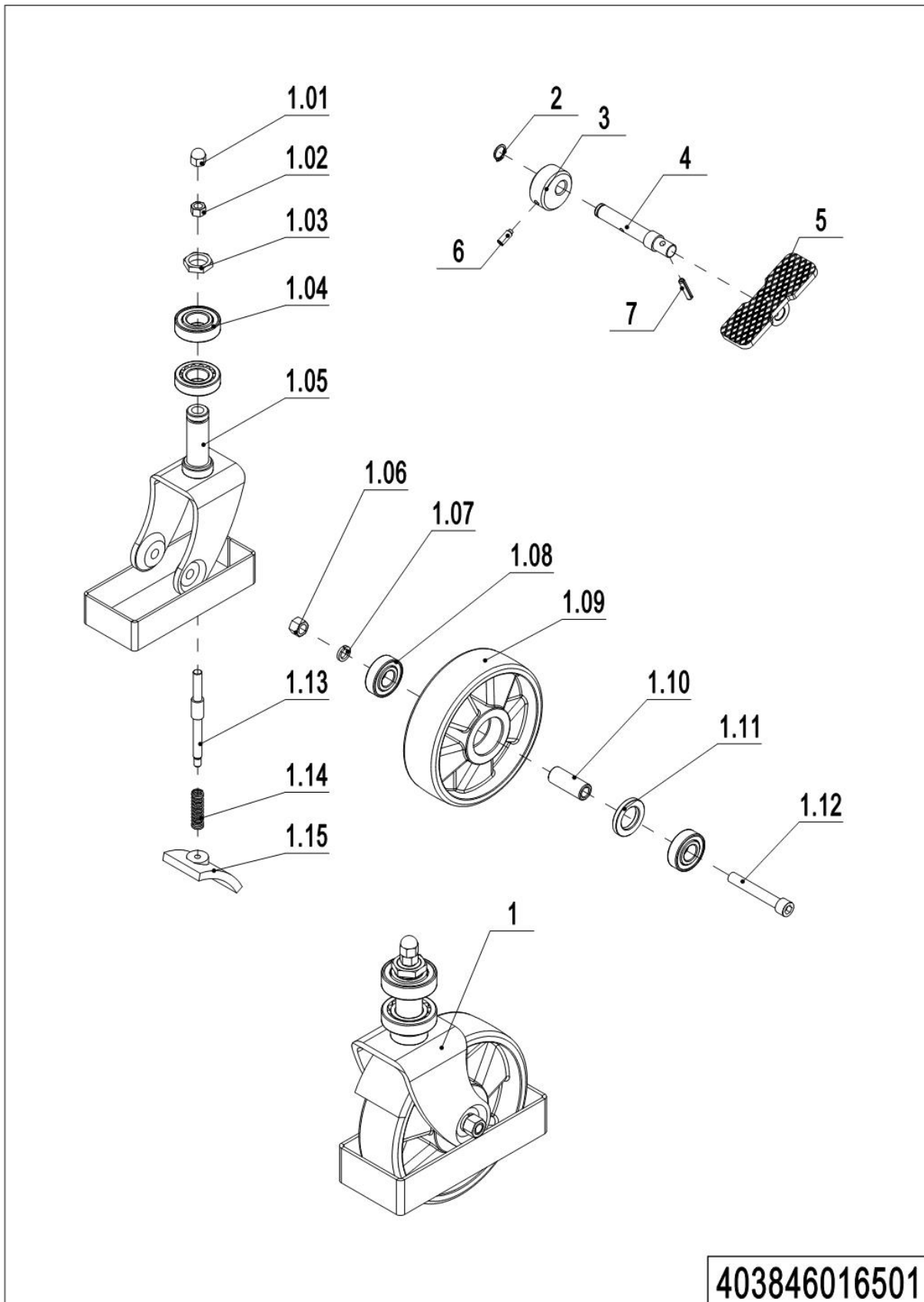
1= Supply as package. 2= Supply with constraints. 3= Phasing-out supply. 4= Supply as assembly. 5= Check other tables.



## 03 Caster Assembly (321046016501)

No.	Item Code	Mark	Item Description	Qty.	Substitute	Note
--	321016510004		Caster Assembly	1		PU, Red
--	321016510006		Caster Assembly	1		Nylon
--	321016510008		Caster Assembly	1		PU, Yellow
1	910200200075	1	Screw	1		
2	910400500007	1	Spring Washer	1		
3	321016520009	2	Gland	1		
4	910700200020	1	Bearing	2		
5	321016510001	2	Wheel Carrier	1		
6	910300100008	1	Nut	1		
7	910400500008	1	Spring Washer	1		
8	910700200019	1	Bearing	2		
9	940300101011		WheelΦ180x50	1		PU, Red
9	940300105003		Wheel	1		Nylon
9	940300101012		WheelΦ180x50	1		PU, Yellow
10	321016520007	2	Sleeve	1		
11	321016520008	2	Washer	1		
12	910200200107	1	Screw	1		

## 04 Caster Assembly (with brake) (403846016501)



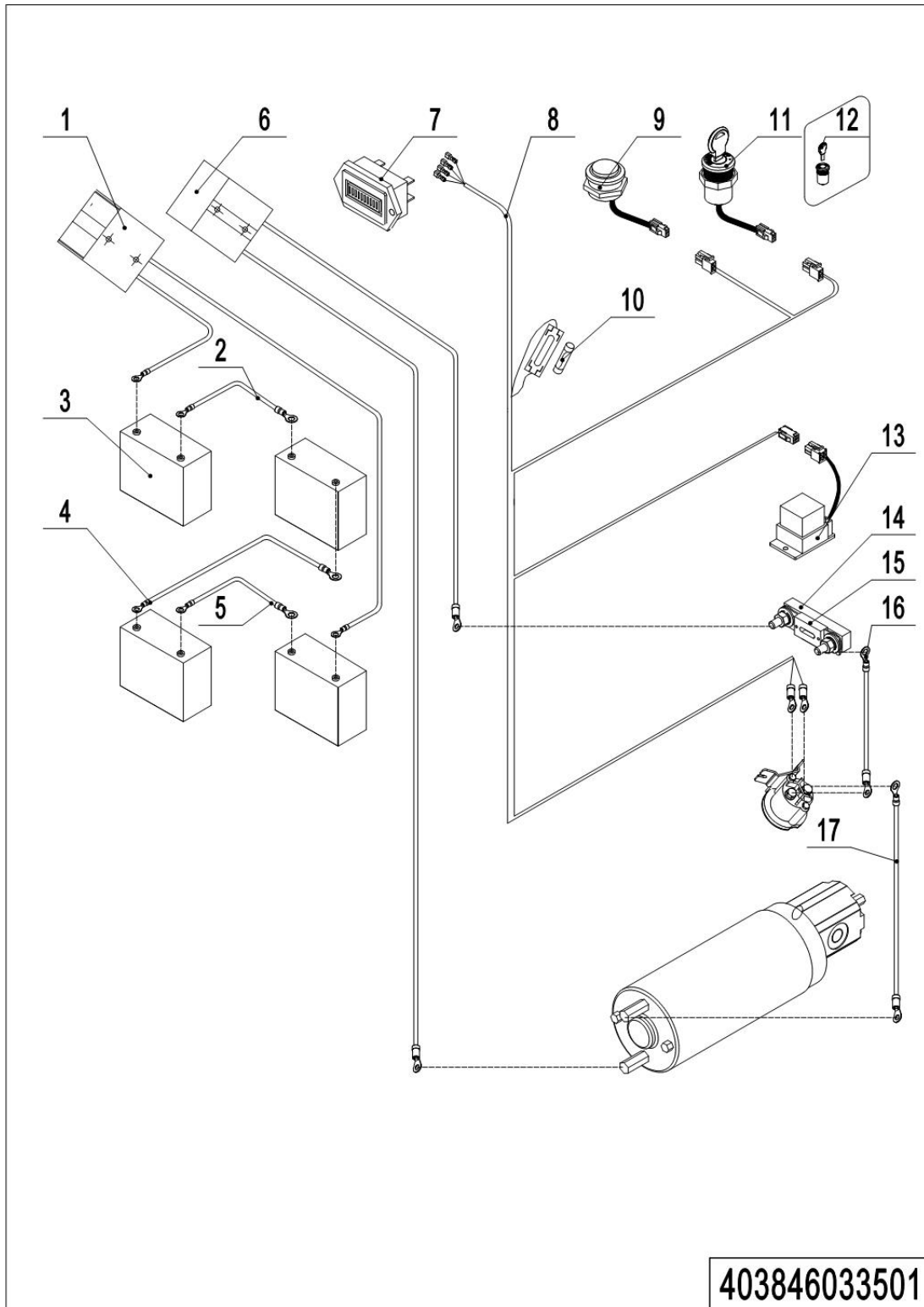
1= Supply as package. 2= Supply with constraints. 3= Phasing-out supply. 4= Supply as assembly. 5= Check other tables.

## 04 Caster Assembly (with brake) (403846016501)

No.	Item Code	Mark	Item Description	Qty.	Substitute	Note
1	403898510007		Caster Assembly	1		PU, Red
1	403898510008		Caster Assembly	1		Nylon
1	403898510009		Caster Assembly	1		PU, Yellow
1.01	321016520003	1	Nut	1		
1.02	910300300005	1	Nut	1		
1.03	910300400009	1	Nut	1		
1.04	910700200020	1	Bearing	2		
1.05	321016510000	2	Wheel Carrier	1		
1.06	910300100008	1	Nut	1		
1.07	910400500008	1	Spring Washer	1		
1.08	910700200019	1	Bearing	2		
1.09	940300101011		WheelΦ180x50	1		PU, Red
1.09	940300105003		Wheel	1		Nylon
1.09	940300101012		WheelΦ180x50	1		PU, Yellow
1.10	321016520007	2	Sleeve	1		
1.11	321016520008	2	Washer	1		
1.12	910200200107	1	Screw	1		
1.13	321016520004	2	Axle	1		
1.14	940400500072	2	Spring	1		
1.15	321016520006	2	Press Plate	1		
2	910401300007	2	Cireclip	1		
3	321016520002	2	Cam	1		
4	321016520001	2	Pin	1		
5	321016520000	2	Platform	1		
6	910200800021	1	Screw	1		
7	910600400040	1	Spring Pin	1		

## Chapter 5: Electrical Parts

### 01 Wire Harness (403846033501)



1= Supply as package. 2= Supply with constraints. 3= Phasing-out supply. 4= Supply as assembly. 5= Check other tables.

## 01 Wire Harness (403846033501)

No.	Item Code	Mark	Item Description	Qty.	Substitute	Note
1	403833010003	2	Wire Harness	1		
2	403833010007	2	Cable	1		
3	920600100024	2	Battery12V20Ah	4		
4	403833010008	2	Cable	1		
5	403833010009	2	Cable	1		
6	403833010002	2	Wire Harness	1		
7	921100100091	2	Coulombmeter	1		
8	403833010000	2	Wire Harness	1		
9	403833010011	2	Button	1		
10	920100300002		Fuse	1		
11	403834010000		Key Switch	1		
12	403898520003		Key	1		
13	403833010010	2	Module	1		
14	920100400002		Fuse Holder	1		
15	920100100003		Fuse	1		
16	403833010005	2	Cable	1		
17	403833010006	2	Cable	1		

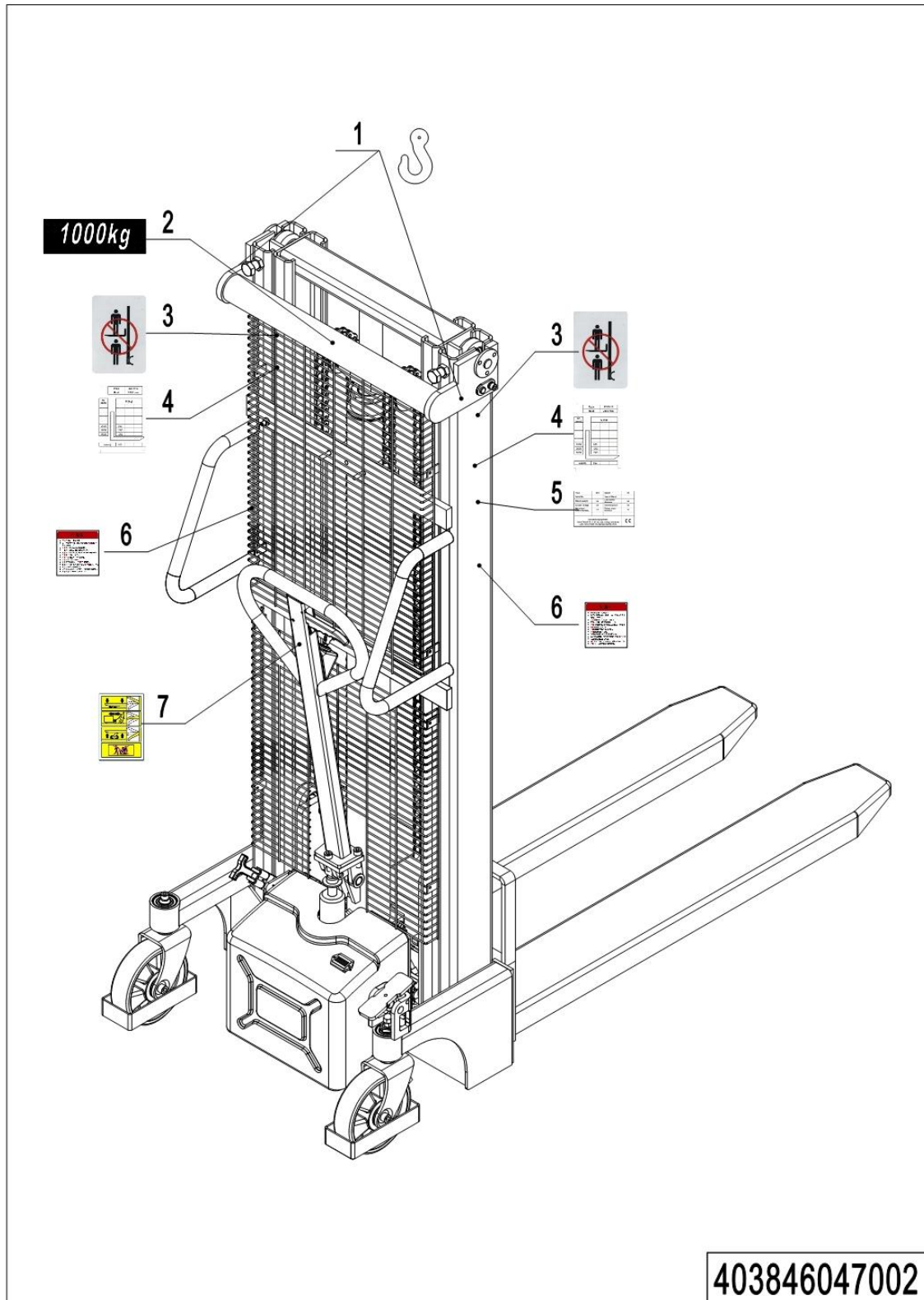
**02 Charger (403846036501)**

## 04 Charger (403846036501)

No.	Item Code	Mark	Item Description	Qty.	Substitute	Note
1	921500200021	2	Power Cord (Asia)	1		
1	921500200022	2	Power Cord(EU)	1		
1	921500200023	2	Power Cord(USA)	1		
1	921500200024	2	Power Cord(AUS)	1		
1	921500200025	2	Power Cord(ITA)	1		
1	921500200026	2	Power Cord(SWE)	1		
1	921500200027	2	Power Cord(ENG)	1		
2	502136510000	2	charger48V3A	1		

## Chapter 6: Others

### 01 Label and Decal (403846047002)



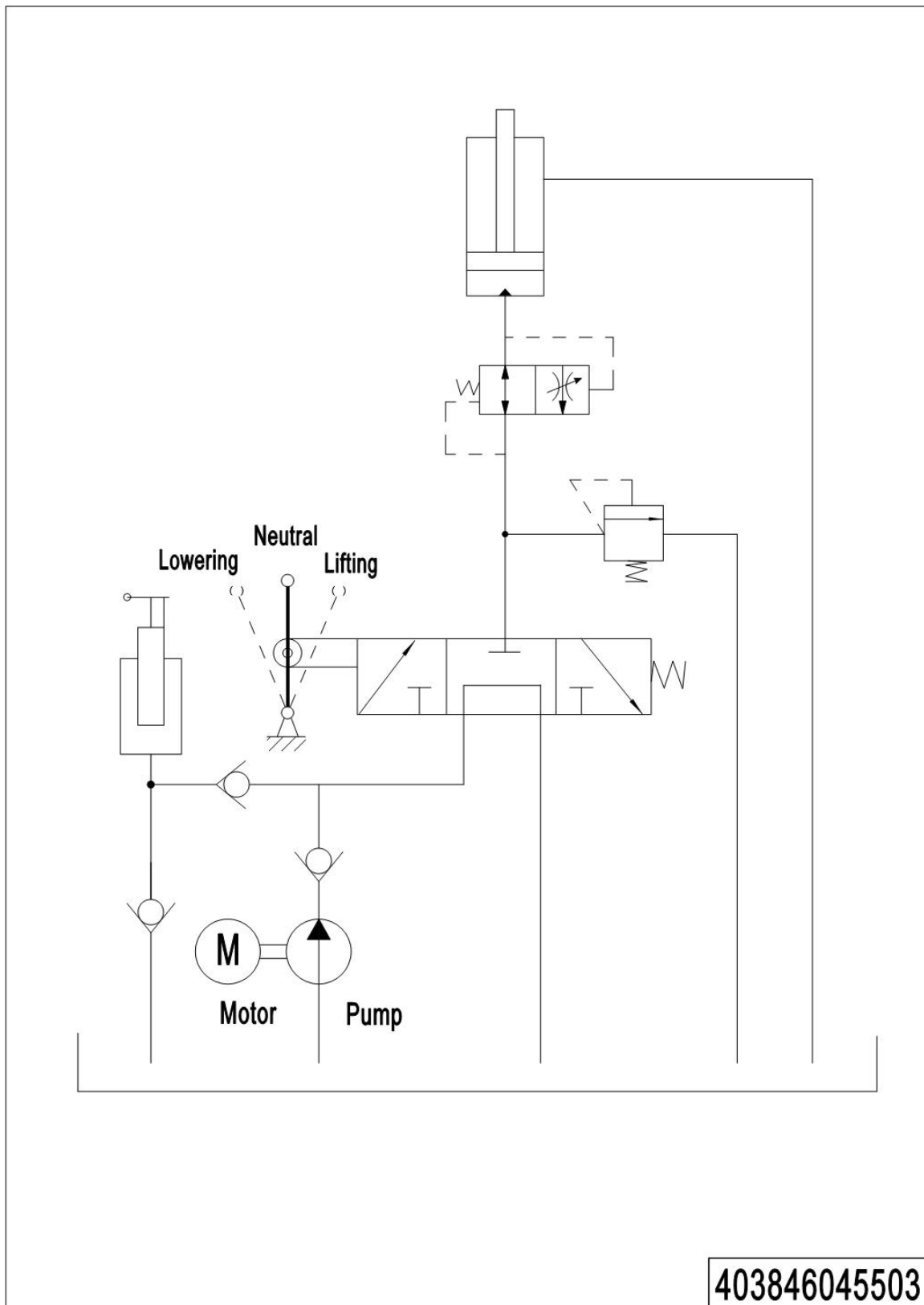
1= Supply as package. 2= Supply with constraints. 3= Phasing-out supply. 4= Supply as assembly. 5= Check other tables.



## 01 Label and Decal (403846047002)

No.	Item Code	Mark	Item Description	Qty.	Substitute	Note
1	941200300001	2	Label	2		
2	941200200018	2	Label (1000kg)	1		1600
2	941200200055	2	Label (800kg)	1		2500
3	941200100022	2	Label	2		
4	403847520001	2	Load Capacity Diagram	2		
5	403847520000	2	Truck data plate	1		
6	941200100037	2	Label	1		
7	941200400007	2	Label	1		



**02 Hydraulic Circuit Diagram**

### 03 Consumable Parts List

No.	Item Code	Item Description	Qty.	Chapter/ Section/ Number
1	403898510000	Seal Kit	1	Chapter 1/01/11
2	403898510001	Seal Kit	1	Chapter 1/01/11
3	940500100001	Bushing	1	Chapter 1/01/3.01
4	536844020012	Subplate	14	Chapter 2/03/5 Chapter 2/04/2 Chapter 3/02/4
5	940300201020	WheelΦ74x70	2	Chapter 4/02/3
6	940300202006	Wheel	2	Chapter 4/02/3
7	940300201021	Wheel Φ74x70	2	Chapter 4/02/3
8	940300101011	WheelΦ180x50	2	Chapter 4/03/9 Chapter 4/04/1.09
9	940300105003	Wheel	2	Chapter 4/03/9 Chapter 4/04/1.09
10	940300101012	WheelΦ180x50	2	Chapter 4/03/9 Chapter 4/04/1.09
11	910700200019	Bearing	30	Chapter 2/01/7 Chapter 2/02/4 Chapter 2/03/9
11	910700200019	Bearing		Chapter 2/04/6 Chapter 3/01/9 Chapter 3/02/13
11	910700200019	Bearing		Chapter 4/02/2 Chapter 4/03/8 Chapter 4/04/1.08
12	910700200020	Bearing	1	Chapter 3/02/27 Chapter 4/03/4 Chapter 4/04/1.04
13	920100300002	Fuse	1	Chapter 5/01/10
14	920100100003	Fuse	1	Chapter 5/01/15