

NOBLELIFT

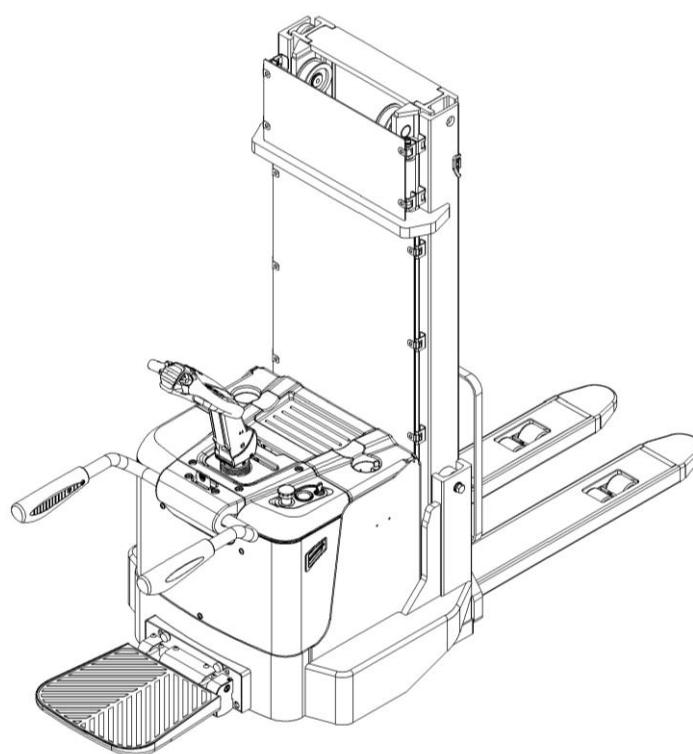


Scan QR Code for More

Electric Pallet Stacker PS 20

PARTS MANUAL

532946020101



Version: V02

Truck Identification Number From:

Parts Manual PS20-PM02EN

Please order parts from authorized dealers of Noblelift Intelligent Equipment Co., LTD. In order to avoid wrong delivery, all the orders for spare parts should specify the following items:

- Truck model, identification number and manufacture year.
- Orders for spare parts of mast, hydraulic transmission unit, steering axle, motor, etc. shall indicate the manufacture number of these parts.
- Codes for Noblelift spare parts are shown in the table of parts manual. Please also pay attention to the description of supply status, order quantity, etc. (check the number listed in "Mark" column of the parts manual).

"Mark" Column:

The unmarked indicates the parts are in short supply cycle.

Number 1: supply as package. Indicating these that parts are small parts and seal parts, which are supplied in package unit and in short supply cycle.

Number 2: supply with constraints. Indicating that these spare parts are not in stock and will be prepared for production after receiving the order from customers, which are in long supply cycle.

Number 3: phasing-out supply. Indicating that these parts will be replaced by new parts due to technical improvements and the current stock will not be available when these parts run out. Please check the description of technical improvements notice.

Number 4: supply as assembly. Indicating that these parts are assembly parts defined by manufacture process, which cannot be supplied as a single part.

Number 5: check other tables.

This parts manual is the property of Noblelift and can be shared under the confidential agreement only, Noblelift has the right to claim for compensation of any unauthorized use. Copy without permission is not allowed. Figures in the manual are not limited by the original design. Noblelift Intelligent Equipment Co., LTD reserves the right to improve the products for continuous technology progress.

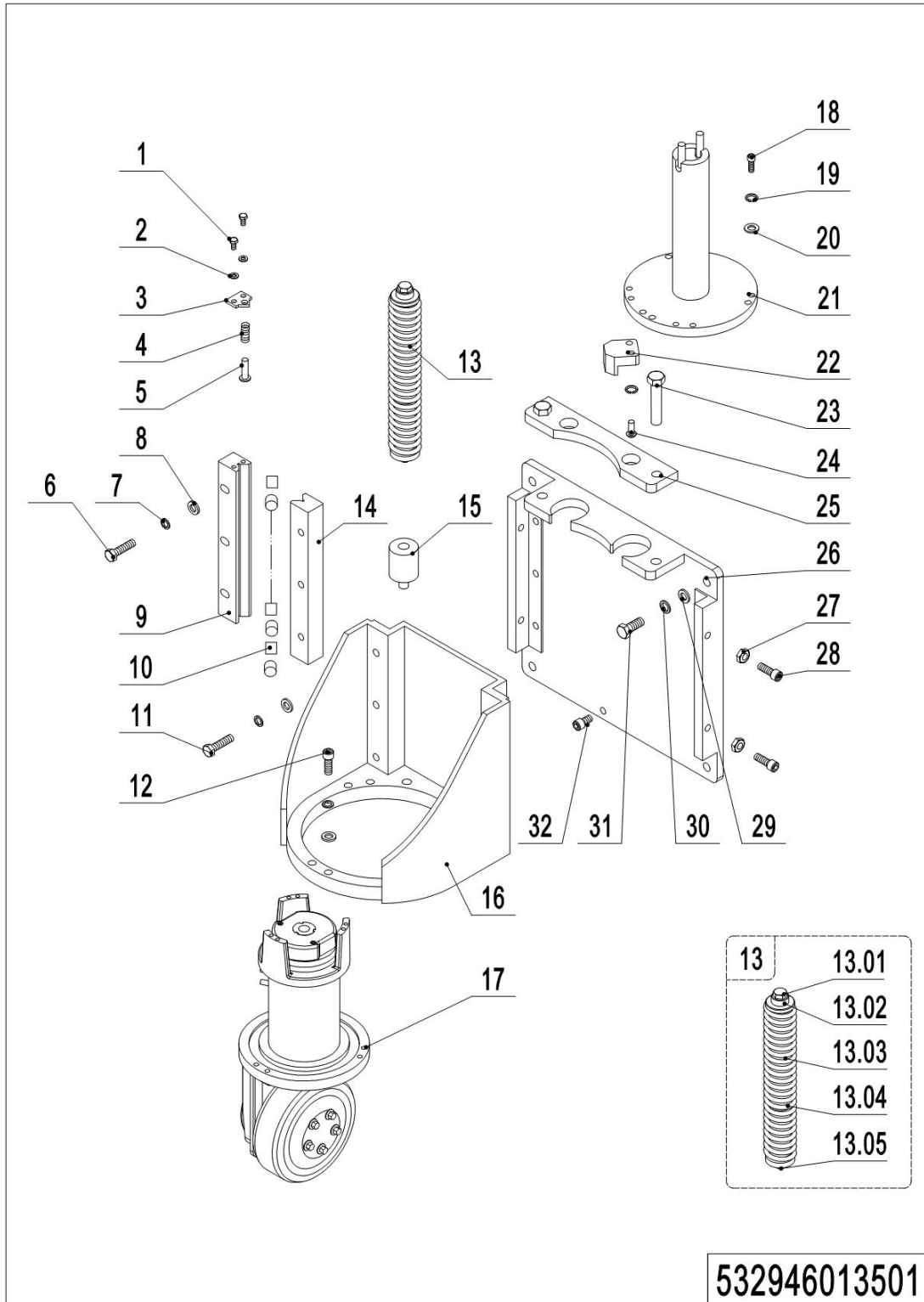
Table of Contents

Chapter 1: Drive System.....	1
01 Drive Unit (Manual steering) (532946013501)	1
01 Drive Unit (Manual steering) (532946013501) Continuation.....	3
02 Drive Unit (Electrical steering) (532946013502)	5
02 Drive Unit (Electrical steering) (532946013502) Continuation	7
03 Drive Assembly (YX, 7EL) (532646013503).....	9
04 Drive Assembly (YX, 26EL) (532646013504).....	11
Chapter 2: Hydraulic System.....	13
01 Hydraulic Components (532946024001).....	13
01 Hydraulic Components (532946024001) Continuation	15
02 Hydraulic Unit(3.0KW, 3.3cc) (532646023502).....	17
Chapter 3: Truck Frame	19
01 Fork Carriage (532946038001).....	19
02 Chassis (532946021501).....	21
03 Truck body (532946021502).....	23
04 Instrument assembly (532646010001).....	25
05 Cell Cover (532946021001)	27
Chapter 4: Steering System, Braking System, Wheels	29
01 Caster (532646016501).....	29
02 Load Wheel (532946017001)	31
03 Electronic Steering Assembly (532646031501).....	33
04 Tiller Unit (532646011001)	35
05 Control Handle (532646011002)	37
06 Control Handle (505646011002)	39
Chapter 5: Mast system.....	41
01 Mast system (532946044001).....	41
02 Mast lifting system (532946044002).....	43
03 Mast other accessories (532946044003).....	45

Chapter 6: Electrical Parts	47
01 Traction Battery (532946037001).....	47
02 Charger (532946036501).....	49
03 Wire Harness (Manual steering) (532946033001).....	51
04 Wire Harness (Electrical steering) (532946033002).....	53
05 Electric control assembly (532646033005)	55
06 Lift Limit Sensor (532946033006)	57
Chapter 7: Special Parts.....	59
01 Footboard Kit (532646018001)	59
01 Footboard Kit (532646018001) Continuation.....	61
02 Protective Arm Assembly (532646017501).....	63
03 Load Backrest (532646040501).....	65
Chapter 8: Others.....	67
01 Label and Decal (532946047001).....	67
02 Label and Decal (USA) (532946047002).....	69
03 Outline (532946047003).....	71
Appendix.....	73
01 Electrical Circuit Diagram (Manual steering) (532946045501)	73
02 Electrical Circuit Diagram (Electrical steering) (532946045502)	74
03 Hydraulic Circuit Diagram (532946045503).....	75
04 Consumable Parts List	76

Chapter 1: Drive System

01 Drive Unit (Manual steering) (532946013501)

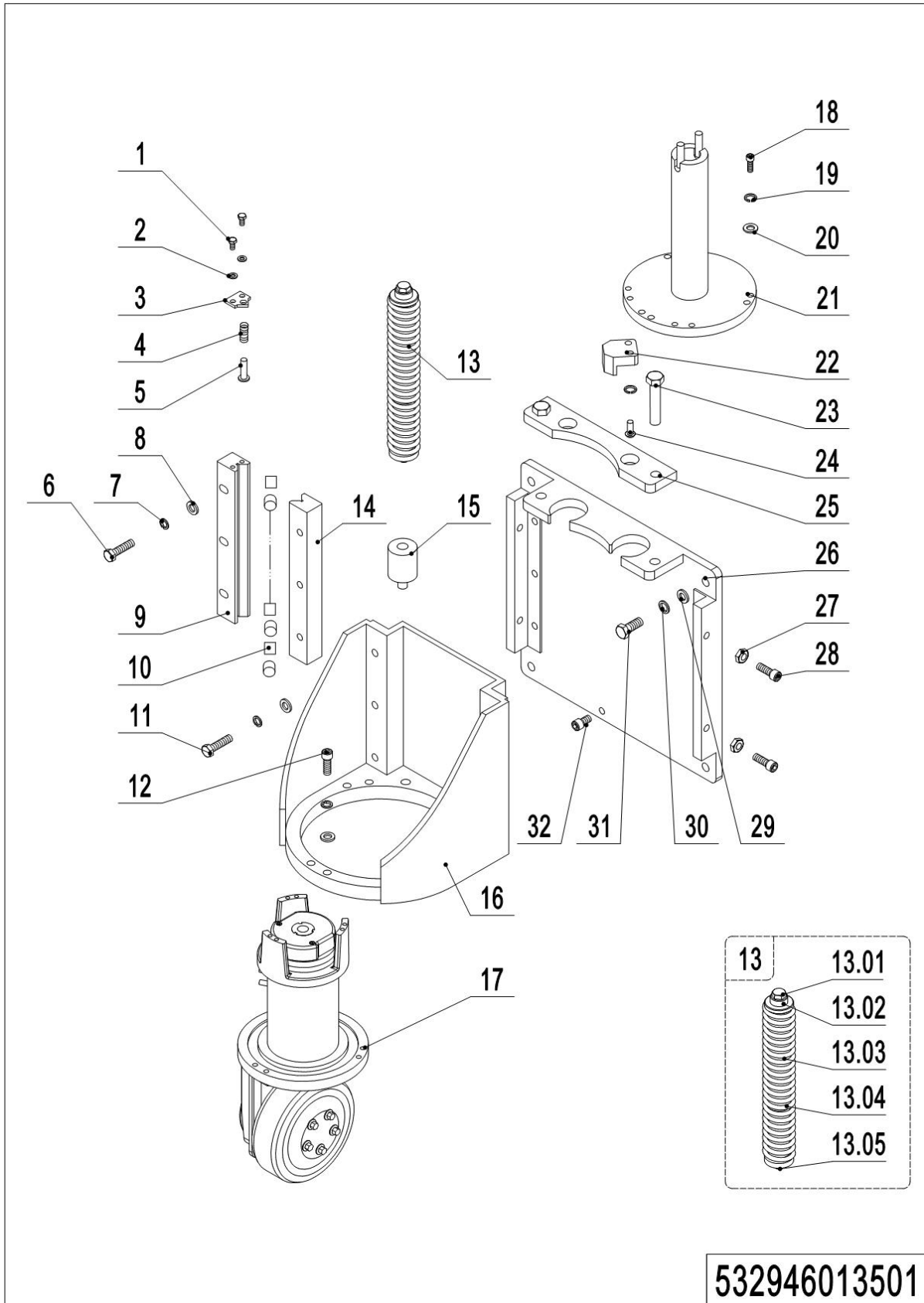


1= Supply as package. 2= Supply with constraints. 3= Phasing-out supply. 4= Supply as assembly. 5= Check other tables.

01 Drive Unit (Manual steering) (532946013501)

No.	Item Code	Mark	Item Description	Qty.	Substitute	Note
1	910200200032	1	Screw	8		
2	910400500005	1	Spring Washer	8		
3	532613520018		End Cap	4		
4	532613520020		Spring	4		
5	532613520019		Pin	4		
6	910200200080	1	Screw	6		
7	910400500007	1	Spring Washer	18		
8	910400100007	1	Flat Washer	18		
9	532613520015		V Block	2		
10	532613520016		Roller	24		
11	910200200079	1	Screw	6		
12	910200200080	1	Screw	6		
13	532613510001		Spring Components	2		
13.01	941100200001	1	Bolt	2		
13.02	532613520004		Gland	2		
13.03	532613520003		Sleeve	2		
13.04	532613520002		Spring	2		
13.05	533213520007		Guide Rail	2		
14	532613520017		V Block	2		
15	532613520014		Subplate	2		
16	532613510003		Wheel Carrier	1		
17	940900400008	5	Drive Unit	1		Check 532646013503
18	910200200059	1	Screw	6		
19	910400500006	1	Spring Washer	10		
20	910400100006	1	Flat Washer	6		
21	532631210001		handle Spindle	1		
22	532631220001		Stop Block	2		

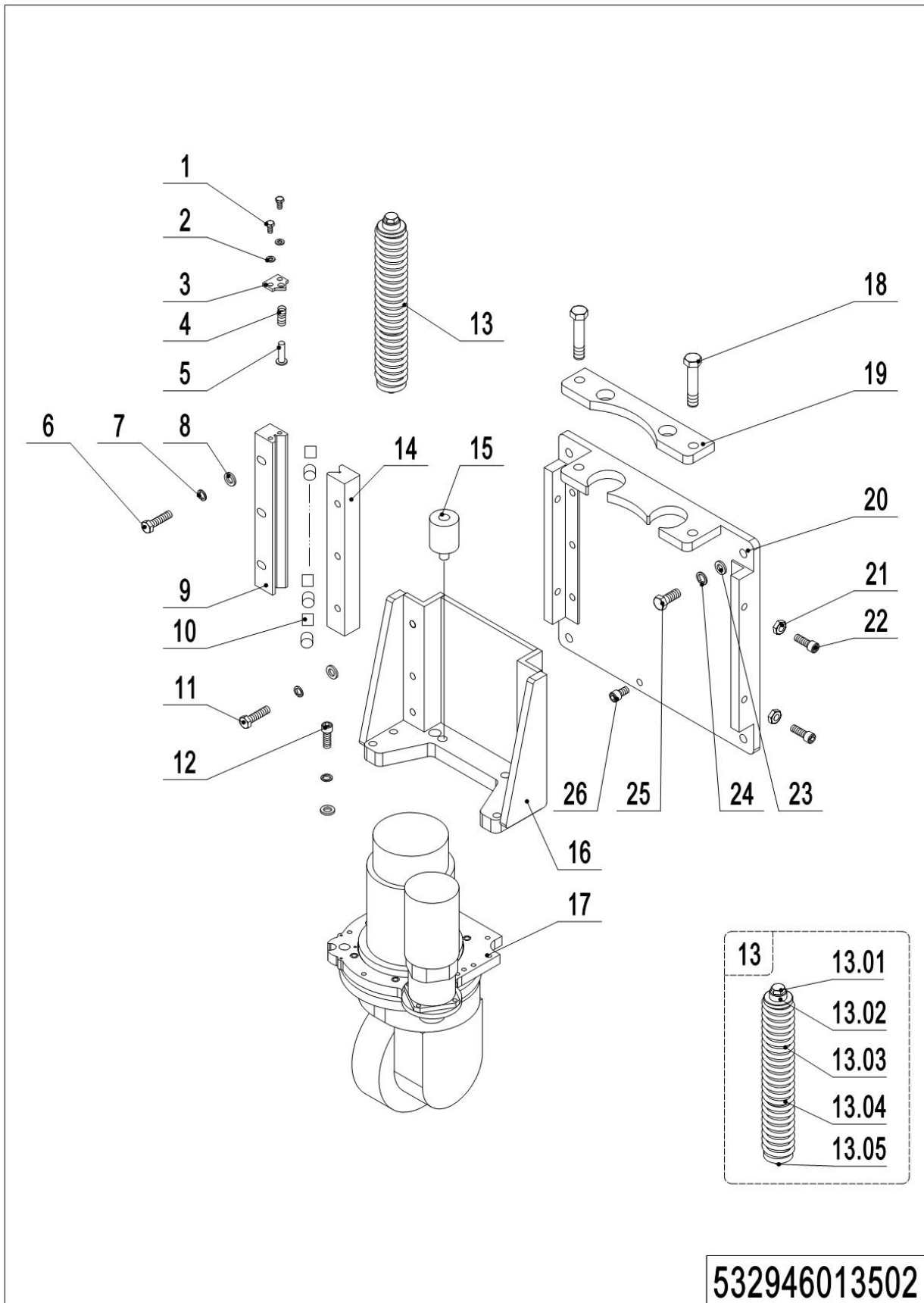
01 Drive Unit (Manual steering) (532946013501) Continuation



01 Drive Unit (Manual steering) (532946013501) Continuation

No.	Item Code	Mark	Item Description	Qty.	Substitute	Note
23	910100300066	1	Bolt	2		
24	910200300026	1	Screw	4		
25	532613520013		Top Plate	1		
26	532613510002		Bracket	1		
27	910300300005	1	Nut	4		
28	910201100001	1	Screw	4		
29	910400100008	1	Flat Washer	4		
30	910400500008	1	Spring Washer	4		
31	910200200098	1	Screw	4		
32	910200200089	1	Screw	1		

02 Drive Unit (Electrical steering) (532946013502)

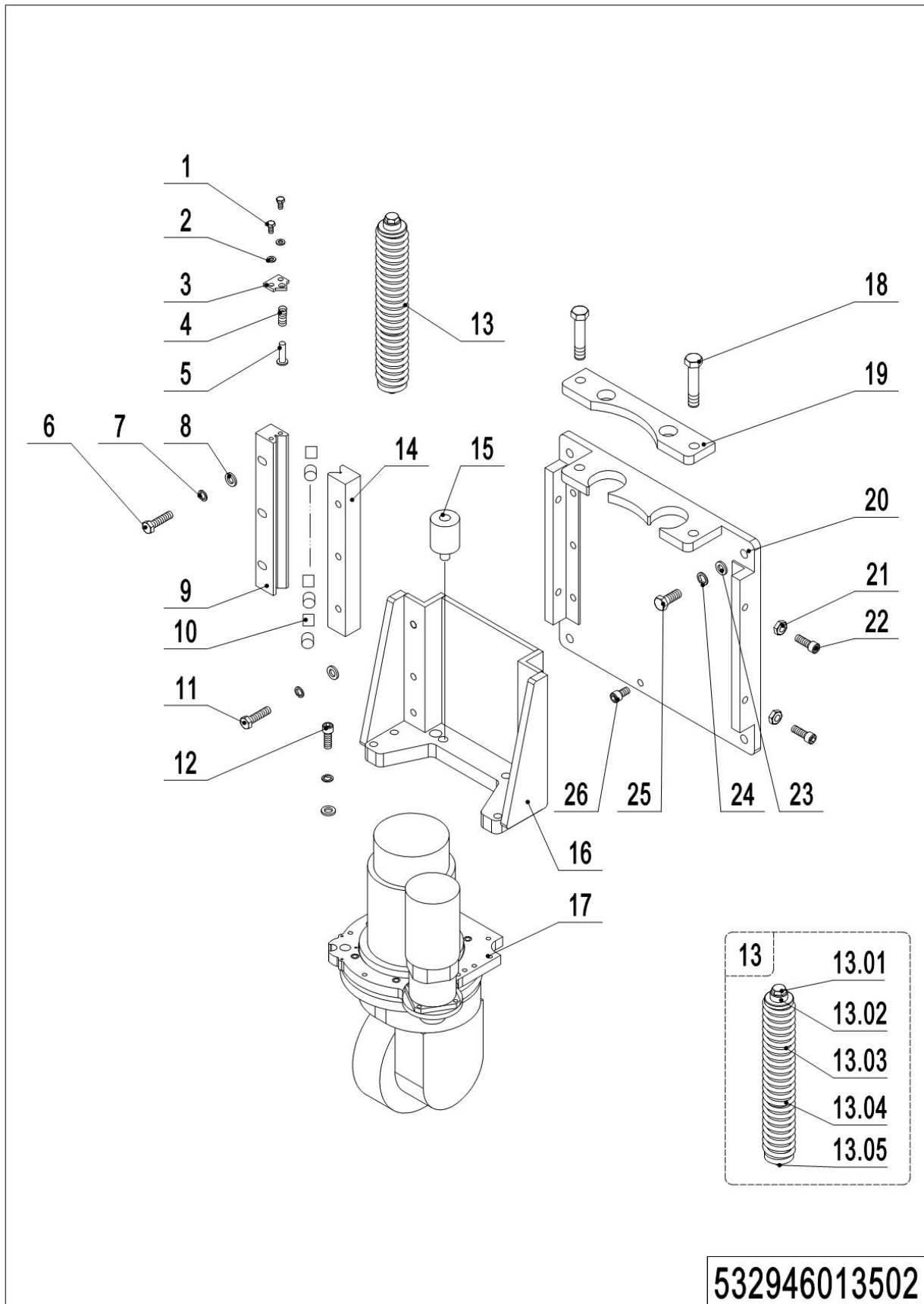


1= Supply as package. 2= Supply with constraints. 3= Phasing-out supply. 4= Supply as assembly. 5= Check other tables.

02 Drive Unit (Electrical steering) (532946013502)

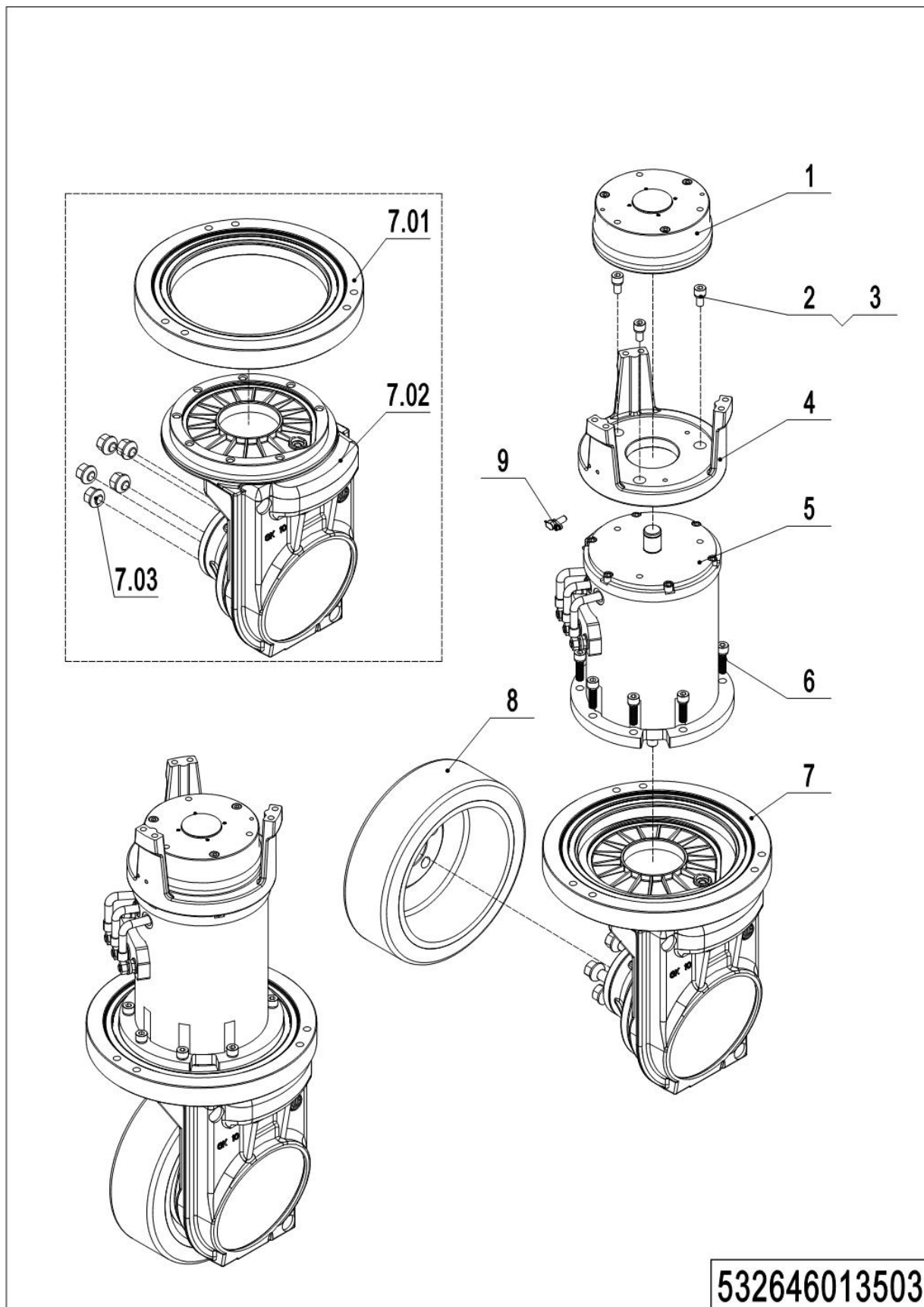
No.	Item Code	Mark	Item Description	Qty.	Substitute	Note
1	910200200032	1	Screw	8		
2	910400500005	1	Spring Washer	8		
3	532613520018		End Cap	4		
4	532613520020		Spring	4		
5	532613520019		Pin	4		
6	910200200080	1	Screw	6		
7	910400500007	1	Spring Washer	18		
8	910400100007	1	Flat Washer	22		
9	532613520015		V Block	2		
10	532613520016		Roller	24		
11	910200200079	1	Screw	6		
12	910200200080	1	Screw	6		
13	532613510001		Spring Components	2		
13.01	941100200001	1	Bolt	2		
13.02	532613520004		Gland	2		
13.03	532613520003		Sleeve	2		
13.04	532613520002		Spring	2		
13.05	533213520007		Guide Rail	2		
14	532613520025		V Block	2		
15	532613520014		Subplate	2		
16	532613510004		Wheel Carrier	1		
17	940900500012	5	Steering Unit	1		Check 532646013504
18	910100300066	1	Bolt	2		
19	532613520013		Top Plate	1		
20	532613510002		Bracket	1		
21	910300300005	1	Nut	4		
22	910201100001	1	Screw	4		

02 Drive Unit (Electrical steering) (532946013502) Continuation



02 Drive Unit (Electrical steering) (532946013502) Continuation

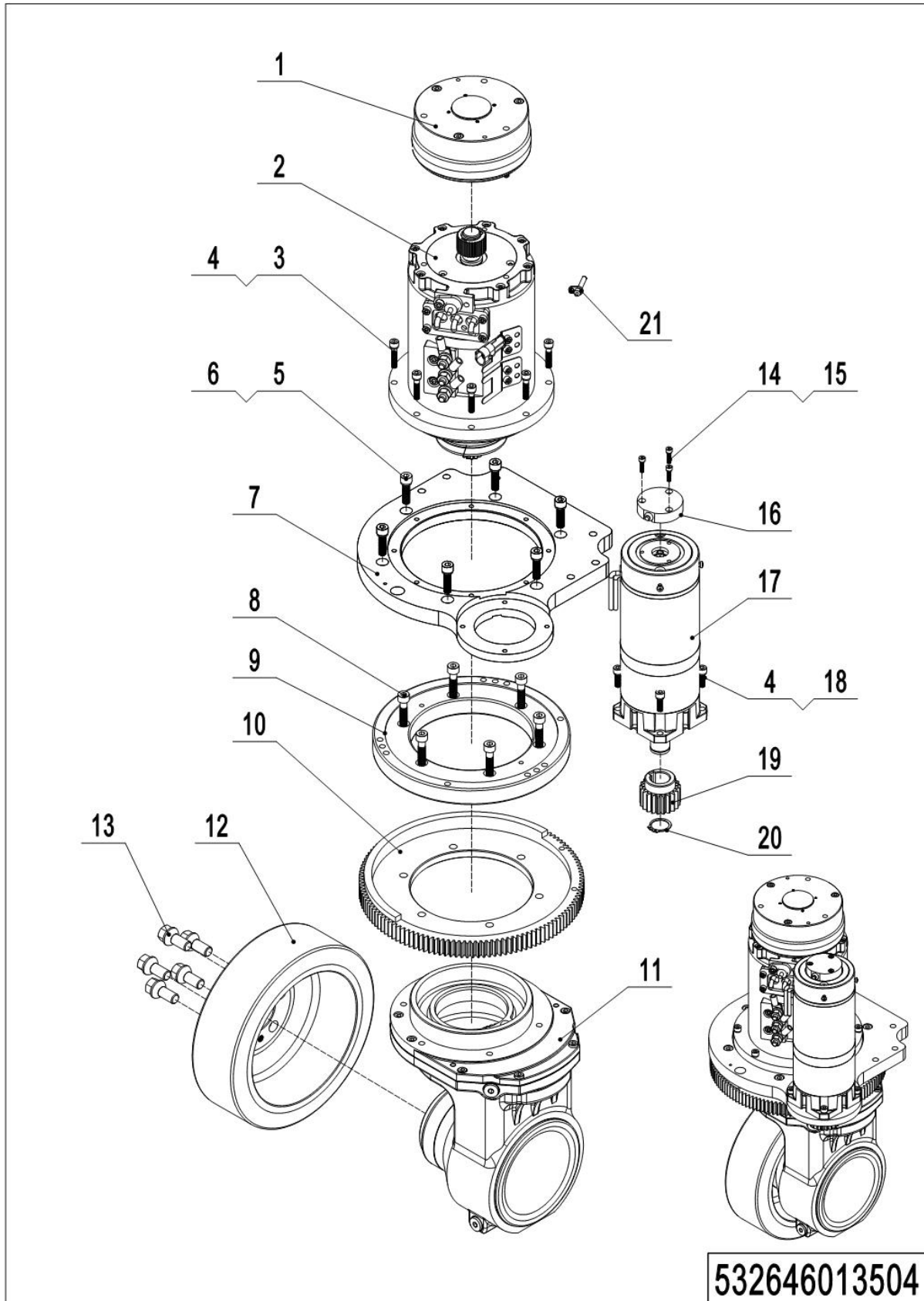
No.	Item Code	Mark	Item Description	Qty.	Substitute	Note
23	910400100008	1	Flat Washer	4		
24	910400500008	1	Spring Washer	4		
25	910200200098	1	Screw	4		
26	910200200089	1	Screw	1		

03 Drive Assembly (YX, 7EL) (532646013503)

03 Drive Assembly (YX, 7EL) (532646013503)

No.	Item Code	Mark	Item Description	Qty.	Substitute	Note
--	940900400008		Drive Unit	1		
1	961000400001		Brake	1		
2	910200200149		Screw	3		
3	910400500019		Spring Washer	11		
4	961000400002		Holder	1		
5	920900100085		Motor	1		
6	910200200138		Screw	8		
7	941000100005		Gearbox Assembly	1		
7.01	940998520074		Slewing Bearing	1		
7.02	940998520075		Gear Unit	1		
7.03	940998520076		Nut	5		
8	940300400005		WheelΦ230x70	1		
9	961000100017		encoder	1		

04 Drive Assembly (YX, 26EL) (532646013504)



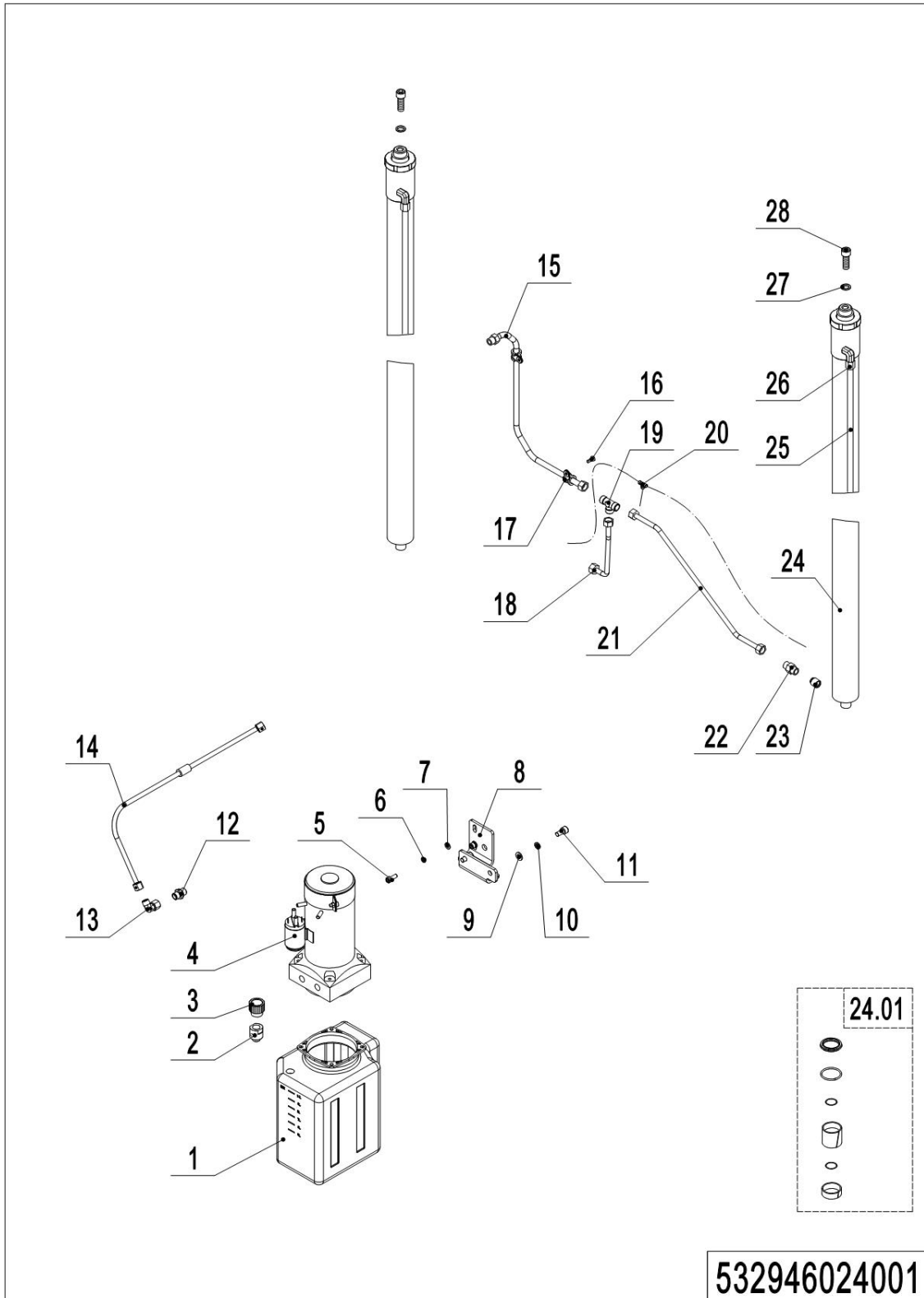
1= Supply as package. 2= Supply with constraints. 3= Phasing-out supply. 4= Supply as assembly. 5= Check other tables.

04 Drive Assembly (YX, 26EL) (532646013504)

No.	Item Code	Mark	Item Description	Qty.	Substitute	Note
--	940900500012		Steering Unit	1		
1	961000300005		Brake	1		
2	940998510018		Motor	1		
3	910200200143		Screw	8		
4	910400500018		Spring Washer	12		
5	910200200138		Screw	6		
6	910400500019		Spring Washer	6		
7	940998520039		Mounting Plate	1		
8	910200200144		Screw	6		
9	940998510008		Slewing Bearing	1		
10	940998520038		Gear	1		
11	940998510019		Gearbox Assembly	1		
12	940300400005		WheelΦ230x70	1		
13	940998520029		Screw	5		
14	910200200011		Screw	3		
15	910400500016		Spring Washer	3		
16	961000500007		Sensor	1		
17	961000500006		Steering Unit	1		
18	910200200139		Screw	4		
19	940998520066		Gear	1		
20	910401300012		Circlip	1		
21	961000100018		encoder	1		

Chapter 2: Hydraulic System

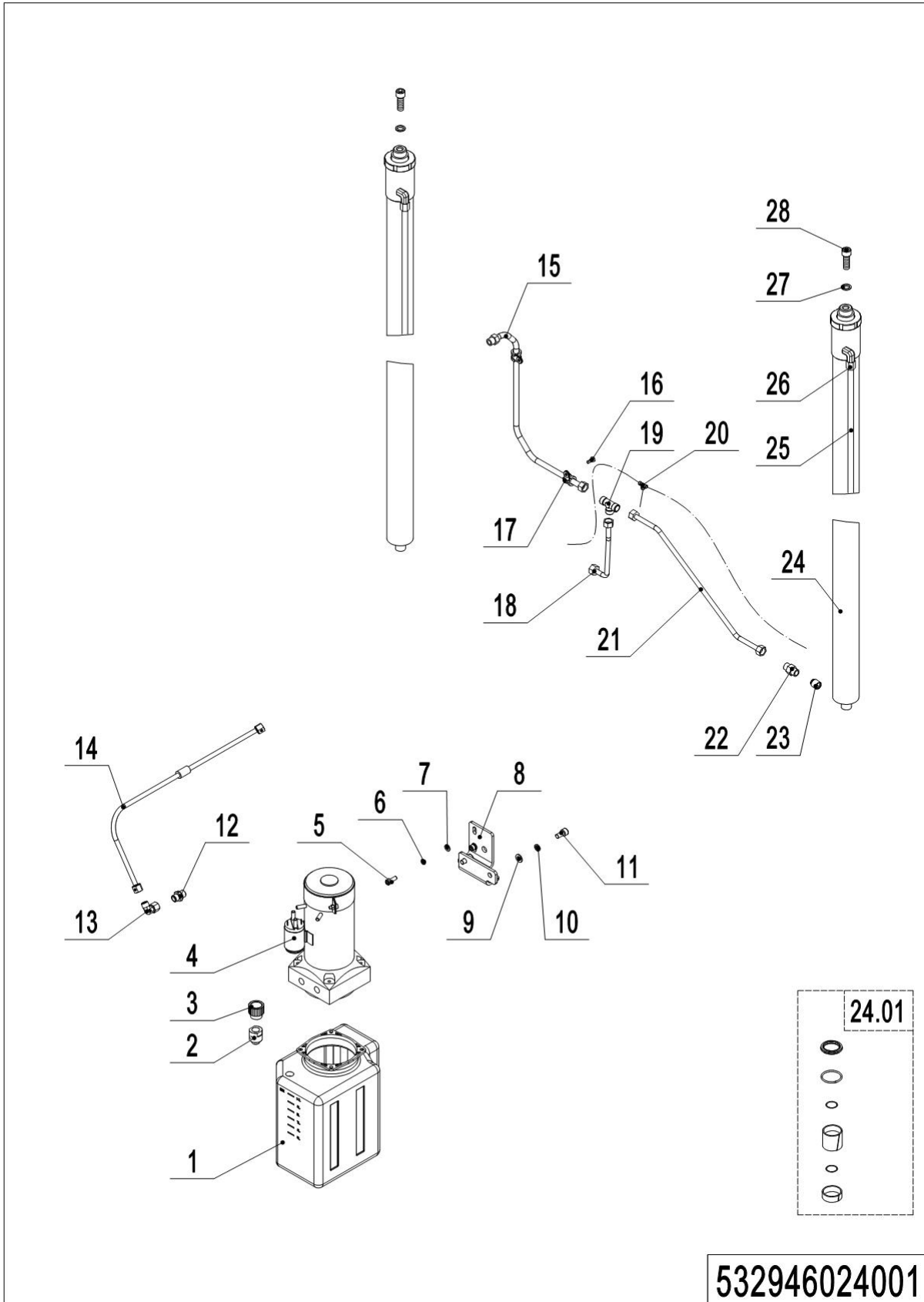
01 Hydraulic Components (532946024001)



01 Hydraulic Components (532946024001)

No.	Item Code	Mark	Item Description	Qty.	Substitute	Note
1	532619020006		Tank	1		
2	533223520000		Adapter	1		
3	951100200004		Screw Plug	1		
4	950900100064	5	Pump Unit	1		Check 532646023502
5	910200200057	1	Screw	2		
6	910400500006	1	Spring Washer	2		
7	910400100006	1	Flat Washer	2		
8	532619020005		Mounting Plate	1		
9	910400100007	1	Flat Washer	2		
10	910400500007	1	Spring Washer	2		
11	910200200075	1	Screw	2		
12	950400300007		Joint	1		
13	950400200003		Joint	1		
14	532624020010		Hose	1		
15	532624020001		Steel Tube	1		
16	910200200032	1	Screw	2		
17	951000100003		Hose Clamp	2		
18	532924020000		Steel Tube	1		
19	950400700002		Joint	1		
20	950500200001		Joint	1		
21	532924020001		Steel Tube	1		
22	950400400003		Joint	2		
23	950600300001		Safety Valve	2		
24	532944010000		Cylinder	2		2900
24	532944010001		Cylinder	2		2600
24	532944010002		Cylinder	2		3600
24.01	532998510005		Seal Kit	2		
25	532944020032		Pipe	1		2900

01 Hydraulic Components (532946024001) Continuation

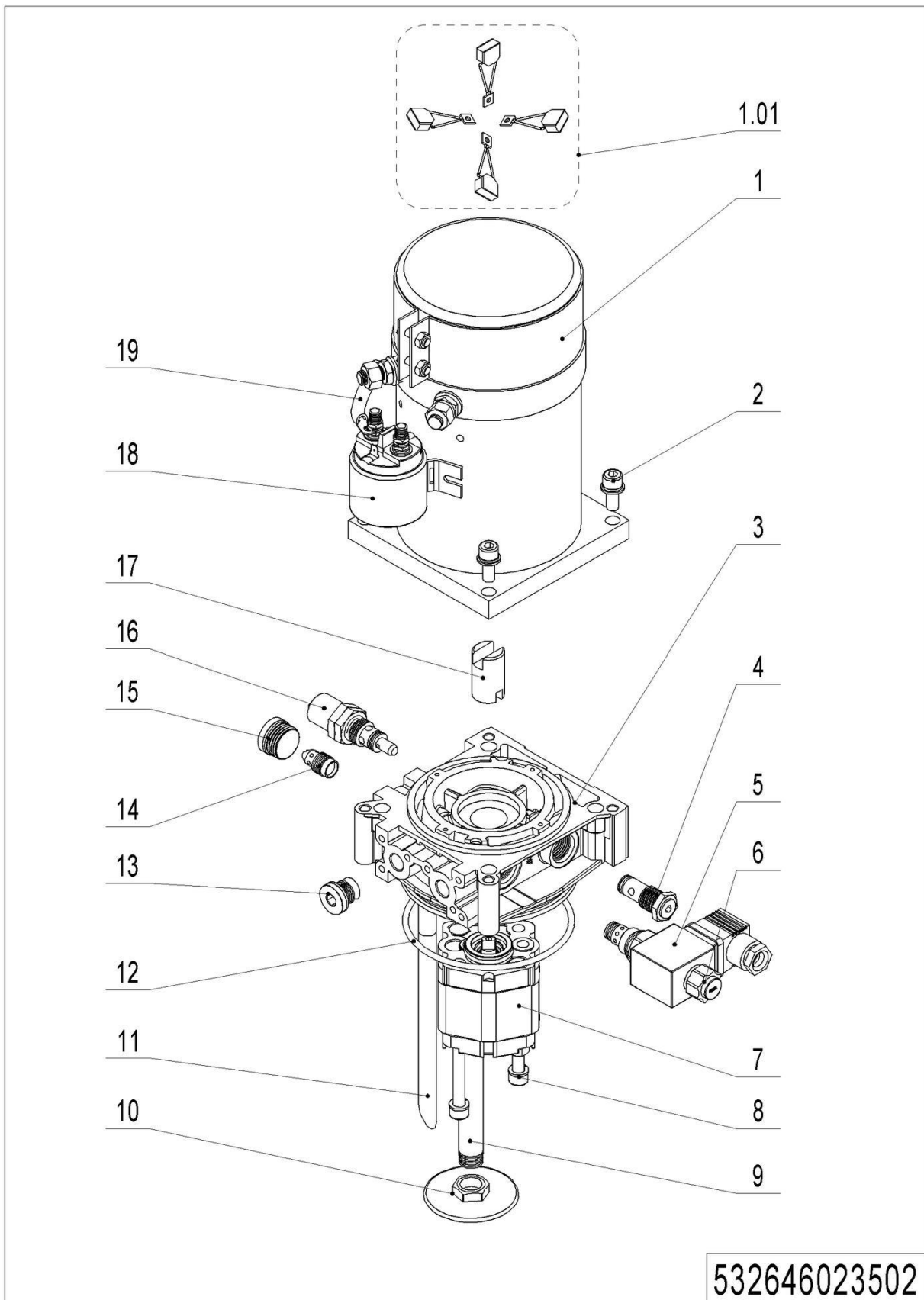


1= Supply as package. 2= Supply with constraints. 3= Phasing-out supply. 4= Supply as assembly. 5= Check other tables.

01 Hydraulic Components (532946024001) Continuation

No.	Item Code	Mark	Item Description	Qty.	Substitute	Note
25	532944020033		Pipe	1		2600
25	532944020034		Pipe	1		3600
26	950500100001		Joint	3		
27	910400100008		Flat Washer	2		
28	910200200098		Screw	2		
29	532944020029		Pipe	1		2900
29	532944020030		Pipe	1		2600
29	532944020031		Pipe	1		3600

02 Hydraulic Unit(3.0KW, 3.3cc) (532646023502)

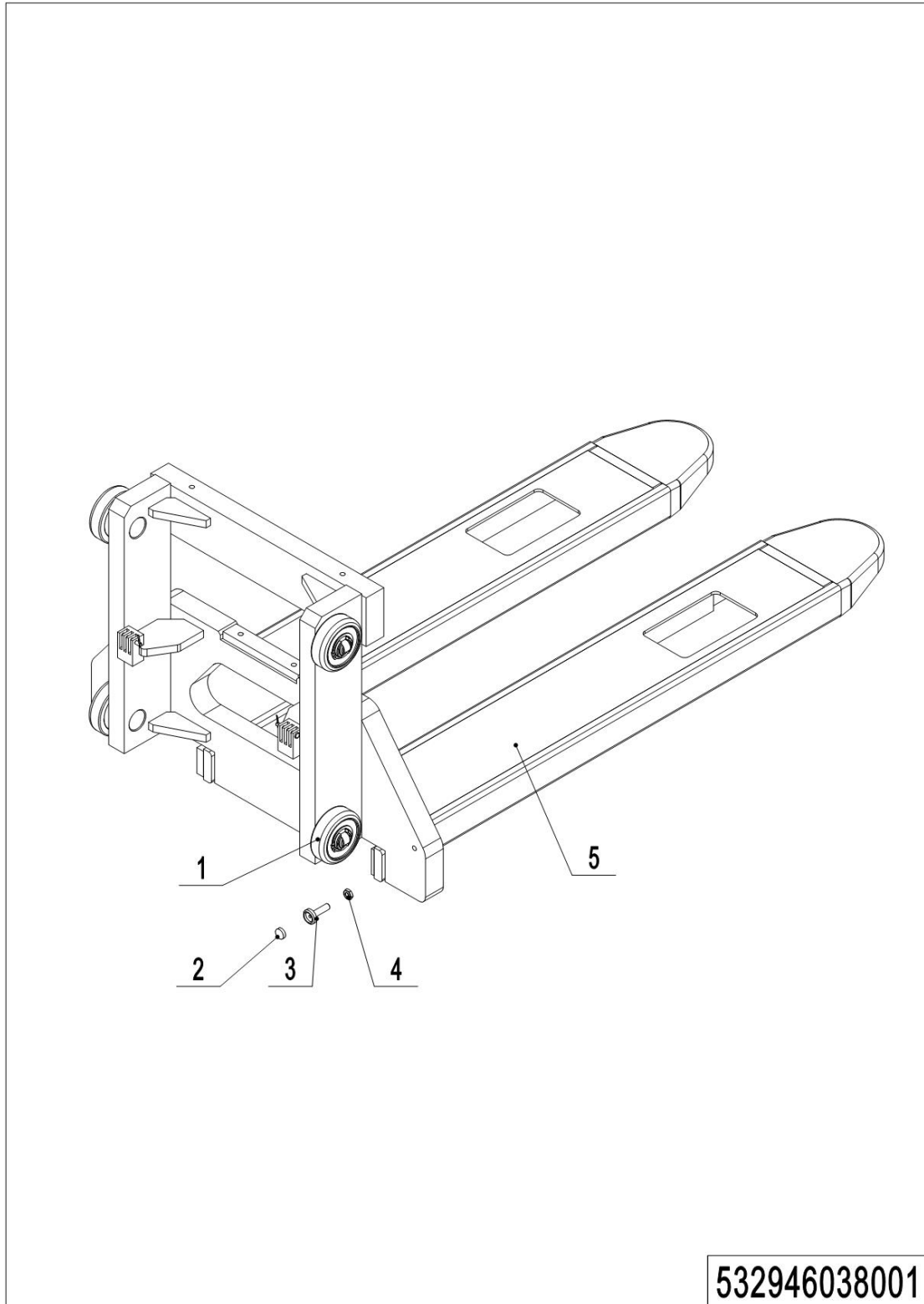


02 Hydraulic Unit(3.0KW, 3.3cc) (532646023502)

No.	Item Code	Mark	Item Description	Qty.	Substitute	Note
--	950900100064		Pump Unit	1		
1	532698510013		Motor	1		
1.01	532698510029		Carbon Brush	1		
2	532698520053		Screw	4		
3	532698520055		Valve Block	1		
4	532698510016		Check Valve	1		
5	532698510014		Coil	1		
6	532698510015		Magnetic Valve	1		
7	532698510022		Gear Pump	1		
8	532698520066		Screw	2		
9	532698520058		Oil Tube	1		
10	532698520059		Filter	1		
11	532698520060		Pipe	1		
12	532698520056		O-Ring	1		
13	532698520062		End Cap	1		
14	532698510023		Valve	1		
15	532698520061		End Cap	1		
16	532698510018		Overflow Valve	1		
17	532698520054		Coupling	1		
18	532698510020		Switch	1		
19	532698510021		Cables	1		

Chapter 3: Truck Frame

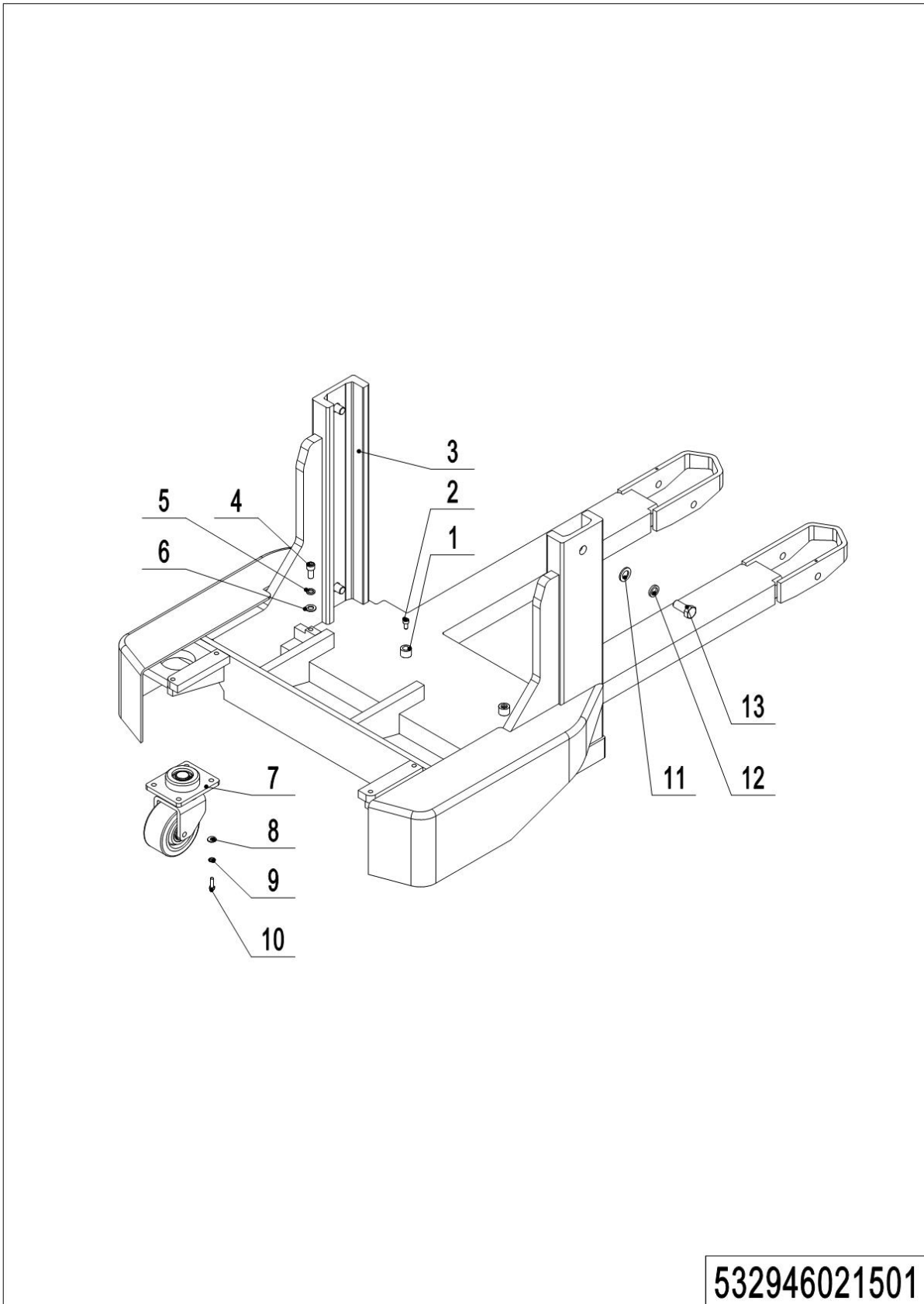
01 Fork Carriage (532946038001)



1= Supply as package. 2= Supply with constraints. 3= Phasing-out supply. 4= Supply as assembly. 5= Check other tables.

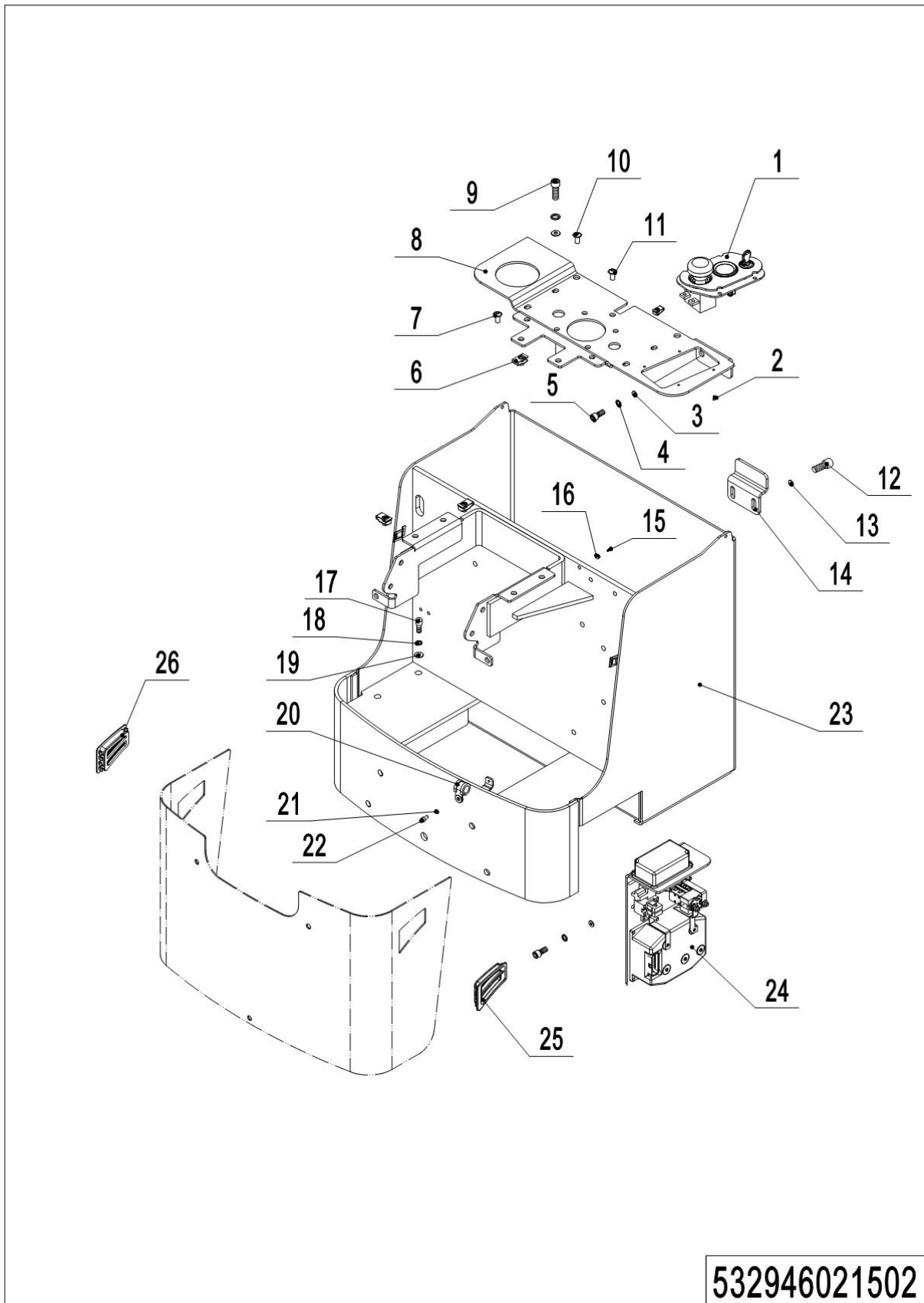
01 Fork Carriage (532946038001)

No.	Item Code	Mark	Item Description	Qty.	Substitute	Note
1	940200300017		Compound Roller	4		
2	940600100001		Magnetic Steel	1		
3	940600200002		Mounting Base	1		
4	910300300005	1	Nut	1		
5	532938010000	2	Fork(570x1150)	1		570x1150
5	532938010001	2	Fork(685x1150)	1		685x1150

02 Chassis (532946021501)

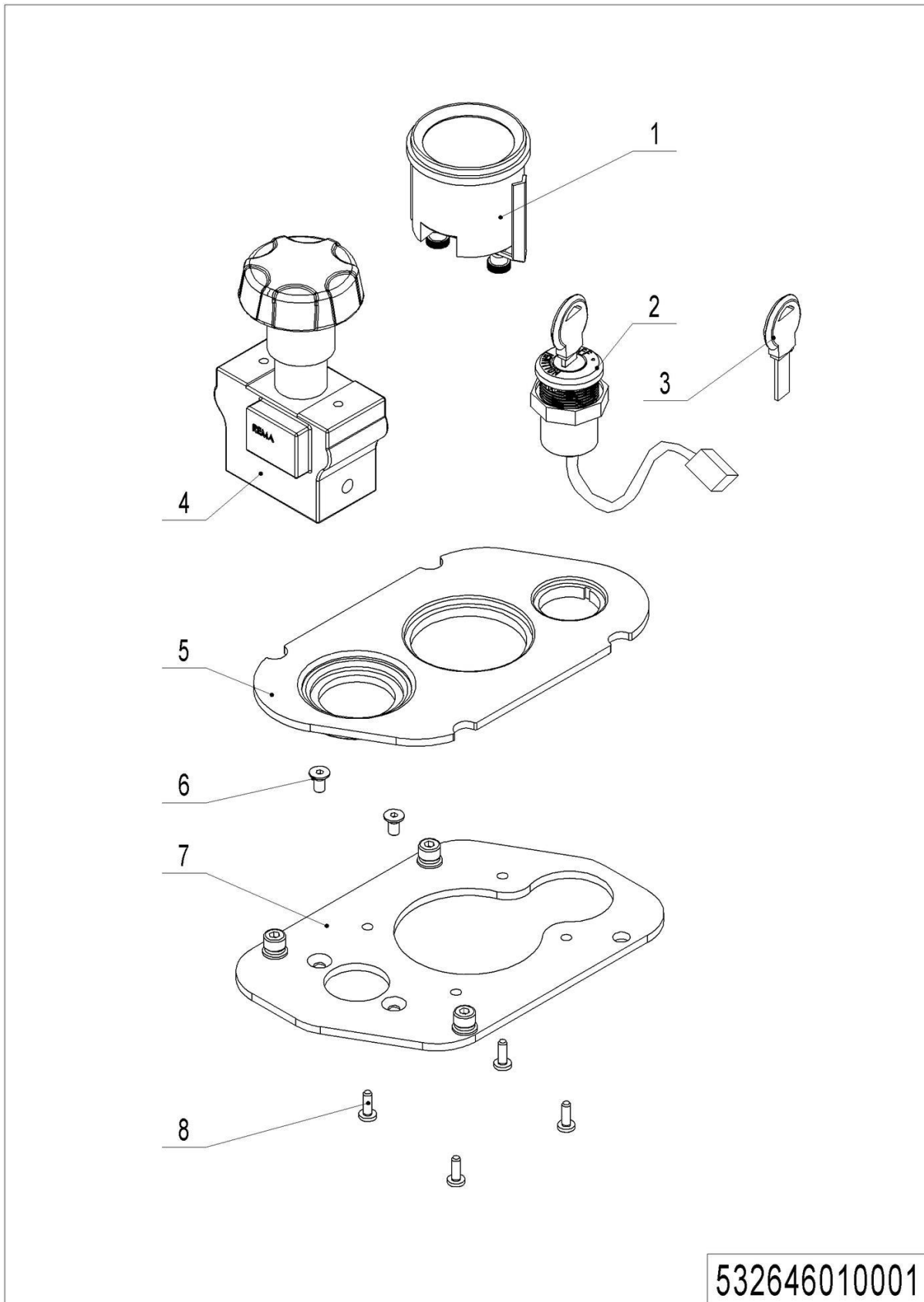
02 Chassis (532946021501)

No.	Item Code	Mark	Item Description	Qty.	Substitute	Note
1	532621520062		Crash Pad	2		
2	910200200055	1	Screw	2		
3	532921510002	2	Chassis(570x1150)	1		570x1150
3	532921510003	2	Chassis(685x1150)	1		685x1150
4	910200200097	1	Screw	2		
5	910400100008	1	Flat Washer	2		
6	910400500008	1	Spring Washer	2		
7	532616510000		Caster Assembly	2		Check 532646016501
8	910400100007	1	Flat Washer	8		
9	910400500007	1	Spring Washer	8		
10	910200200078	1	Screw	8		
11	910400100011	1	Flat Washer	4		
12	910400500011	1	Spring Washer	4		
13	910100300080	1	Bolt	4		

03 Truck body (532946021502)

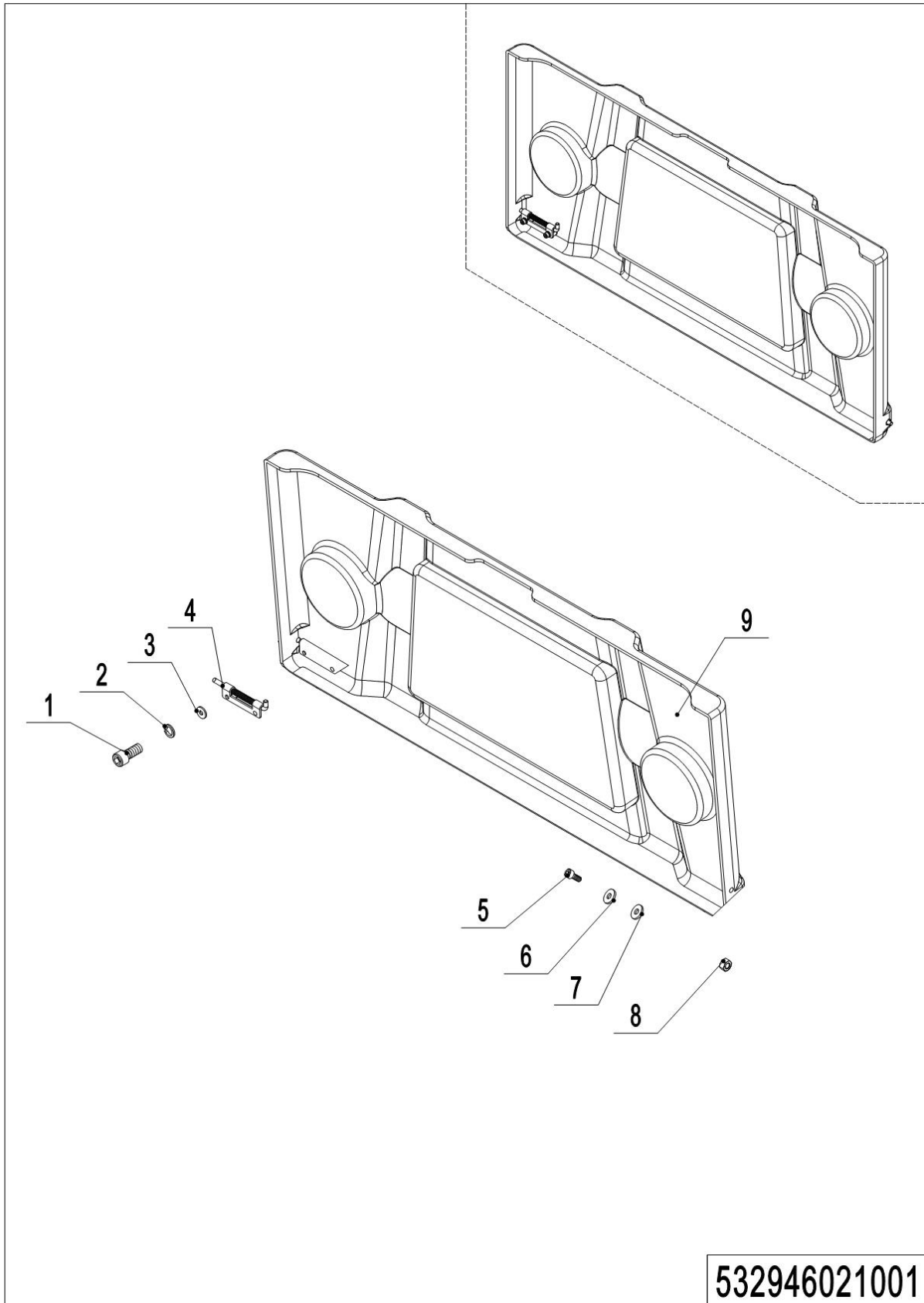
03 Truck body (532946021502)

No.	Item Code	Mark	Item Description	Qty.	Substitute	Note
1	505610001000		Indicator Kit	1		
2	910200200036	1	Screw	4		
3	910400100007	1	Flat Washer	8		
4	910400500007	1	Spring Washer	8		
5	910200200075	1	Screw	4		
6	940400400003		Cage Nut	13		
7	941100100003	1	Screw	4		
8	532621520025		Panel	1		
9	910200200078	1	Screw	4		
10	941100100002	1	Screw	2		
11	941100100004	1	Screw	1		
12	910200200021	1	Screw	4		
13	910400100004	1	Flat Washer	5		
14	532621520061		Top Plate	2		
15	910200200060	1	Screw	2		
16	910300100006	1	Nut	2		
17	910200200099	1	Screw	4		
18	910400500008	1	Spring Washer	4		
19	910400100008	1	Flat Washer	4		
20	951000100004		Hose Clamp	1		
21	910400500005	1	Spring Washer	1		
22	910200200033	1	Screw	1		
23	532621510002	2	Frame	1		
24	505621520034		Mounting Plate	1		
25	505621510004		Vent Kit	1		
26	505621510003		Vent Kit	1		

04 Instrument assembly (532646010001)

04 Instrument assembly (532646010001)

No.	Item Code	Mark	Item Description	Qty.	Substitute	Note
1	921100100044		Battery Indicator	1		
2	505602034001		Key Switch	1		
3	505698520031		Key	1		
4	920200100001		Emergency Button	1		
5	505610020000		Panel	1		
6	910200400010	1	Screw	2		
7	505610020001		Fixing Plate	1		
8	910201300001	1	Screw	4		

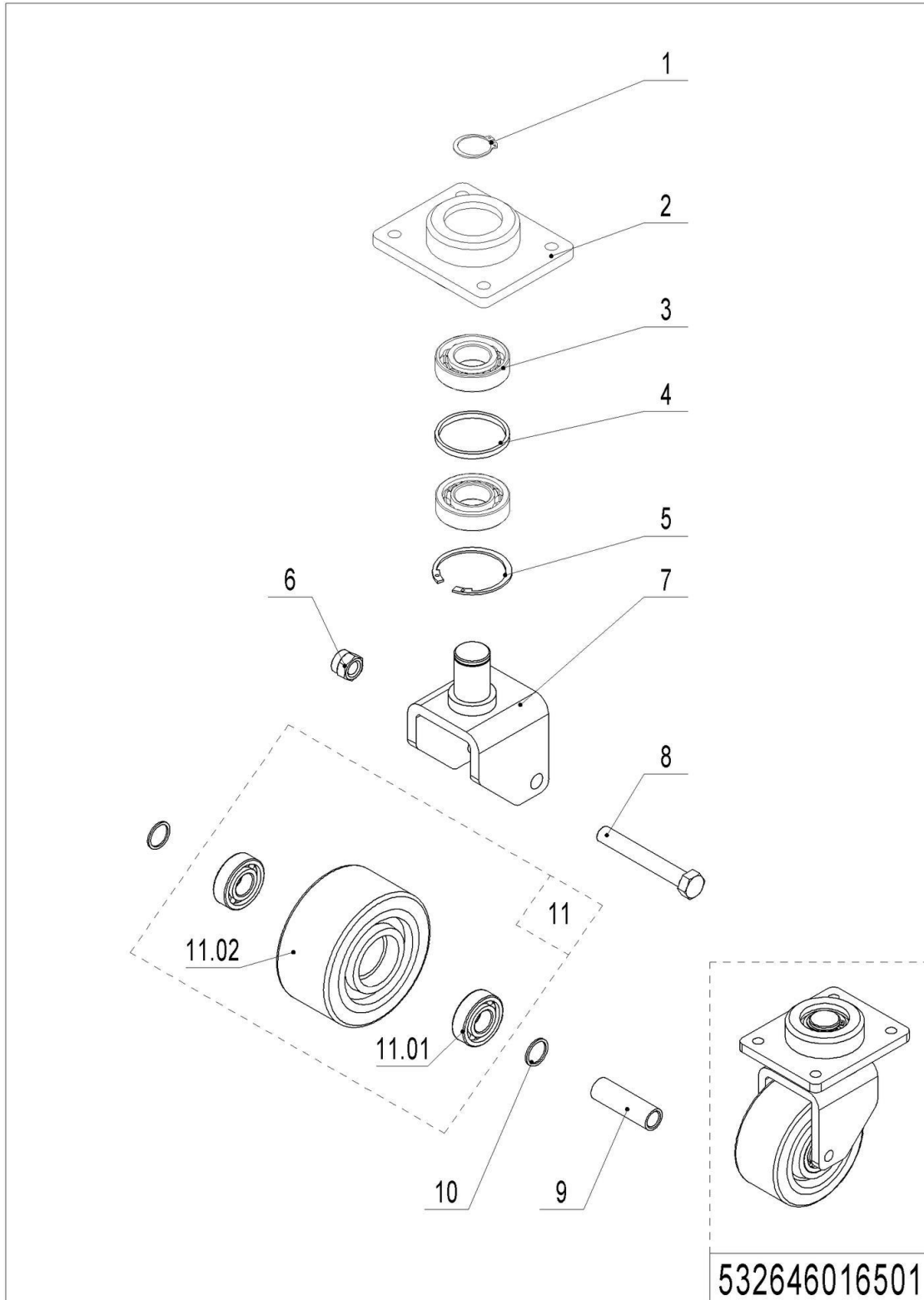
05 Cell Cover (532946021001)**532946021001**

05 Cell Cover (532946021001)

No.	Item Code	Mark	Item Description	Qty.	Substitute	Note
--	532621010001		Cell Cover	1		
1	910200200013	1	Screw	2		
2	910400500003	1	Spring Washer	2		
3	910400100003	1	Flat Washer	2		
4	940800900001		Lock Pin	1		
5	910200200024	1	Screw	1		
6	910400500004	1	Spring Washer	1		
7	910400100004	1	Flat Washer	1		
8	910300300002	1	Nut	1		
9	532621020001		Cell Cover	1		

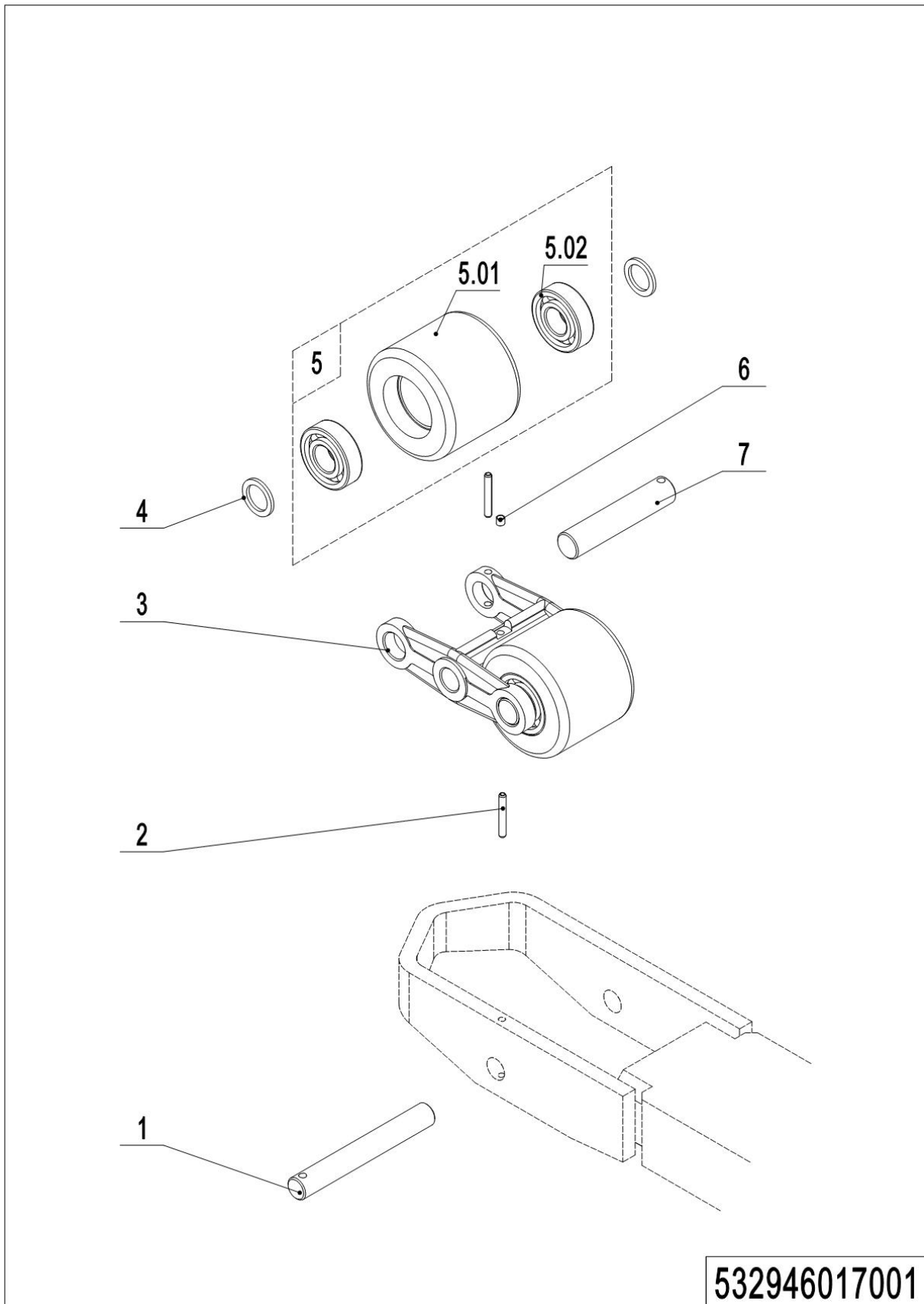
Chapter 4: Steering System, Braking System, Wheels

01 Caster (532646016501)



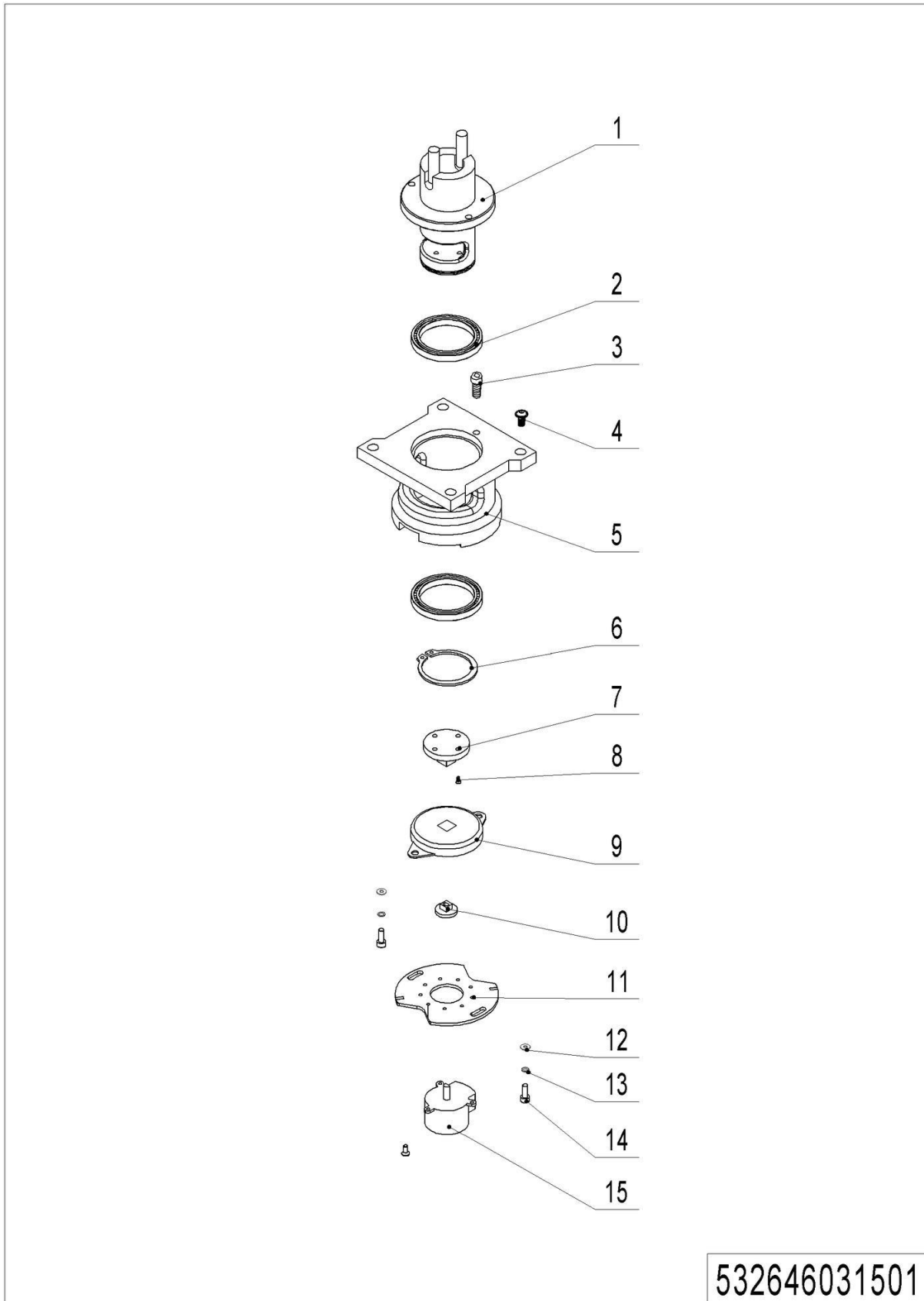
01 Caster (532646016501)

No.	Item Code	Mark	Item Description	Qty.	Substitute	Note
--	532616510000		Caster Assembly	2		
1	910401300016	1	Circlip	1		
2	532616520002		Bracket	1		
3	910700400004		Bearing	2		
4	532616520001		Check Ring	1		
5	910401400018	1	Circlip	1		
6	910300500007	1	Nut	1		
7	532616510001		Wheel Carrier	1		
8	910100100069	1	Bolt	1		
9	532616520003		Bushing	1		
10	940600500014		Washer	2		
11	532698510004		Wheel	1		
11.01	910700200019		Bearing	2		
11.02	940300300019		WheelΦ124x60	1		

02 Load Wheel (532946017001)

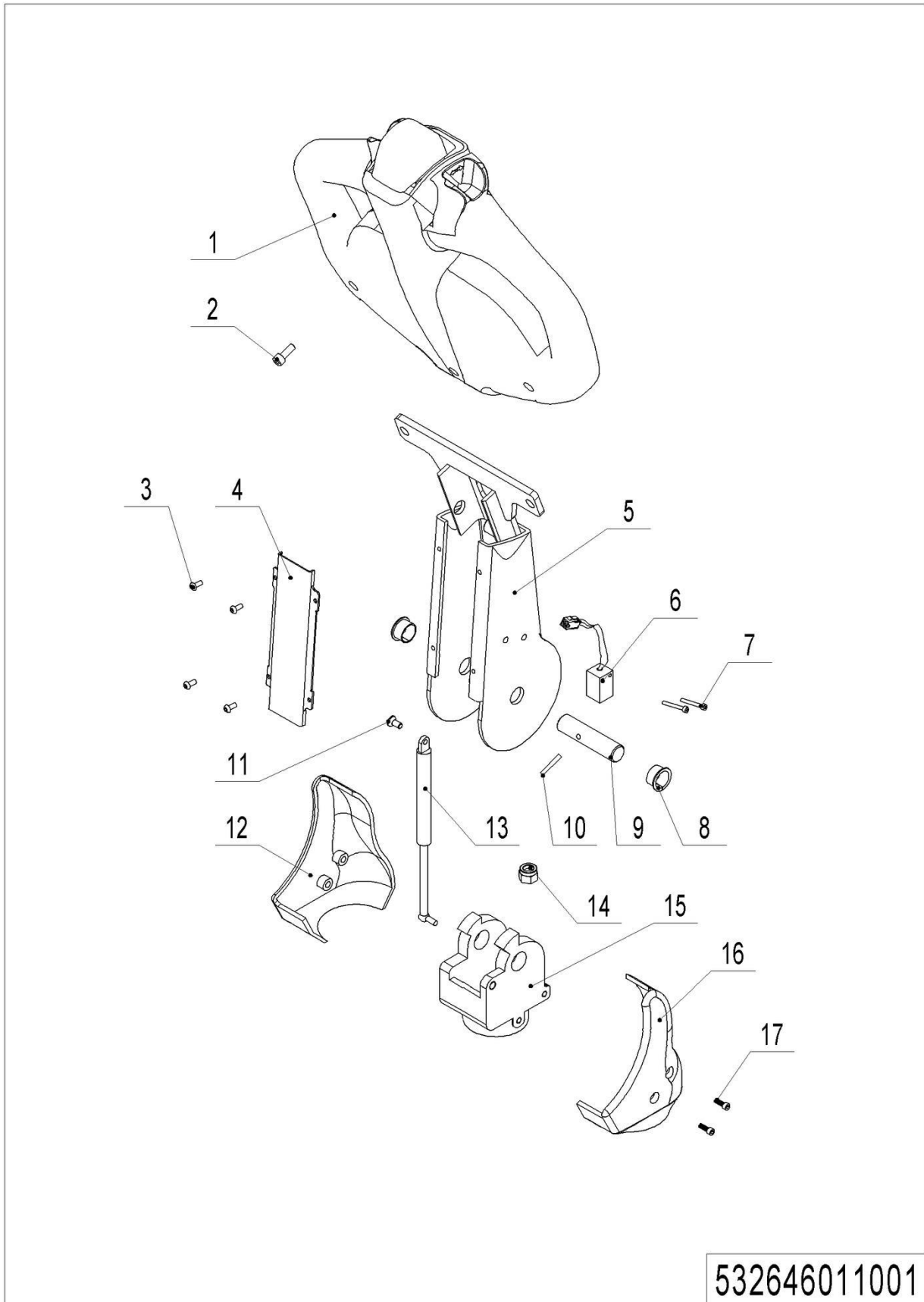
02 Load Wheel (532946017001)

No.	Item Code	Mark	Item Description	Qty.	Substitute	Note
1	504117020003		Axle	2		
2	910600400027	1	Spring Pin	6		
3	504117020004		Wheel Carrier	2		
4	940600500004		Washer	8		
5	532098510016		Wheel	4		
5.01	940300300009		WheelΦ84x70	4		
5.02	910700200019		Bearing	8		
6	911200100001	1	Oil Cup	2		
7	504117020005		Axle	4		

03 Electronic Steering Assembly (532646031501)

03 Electronic Steering Assembly (532646031501)

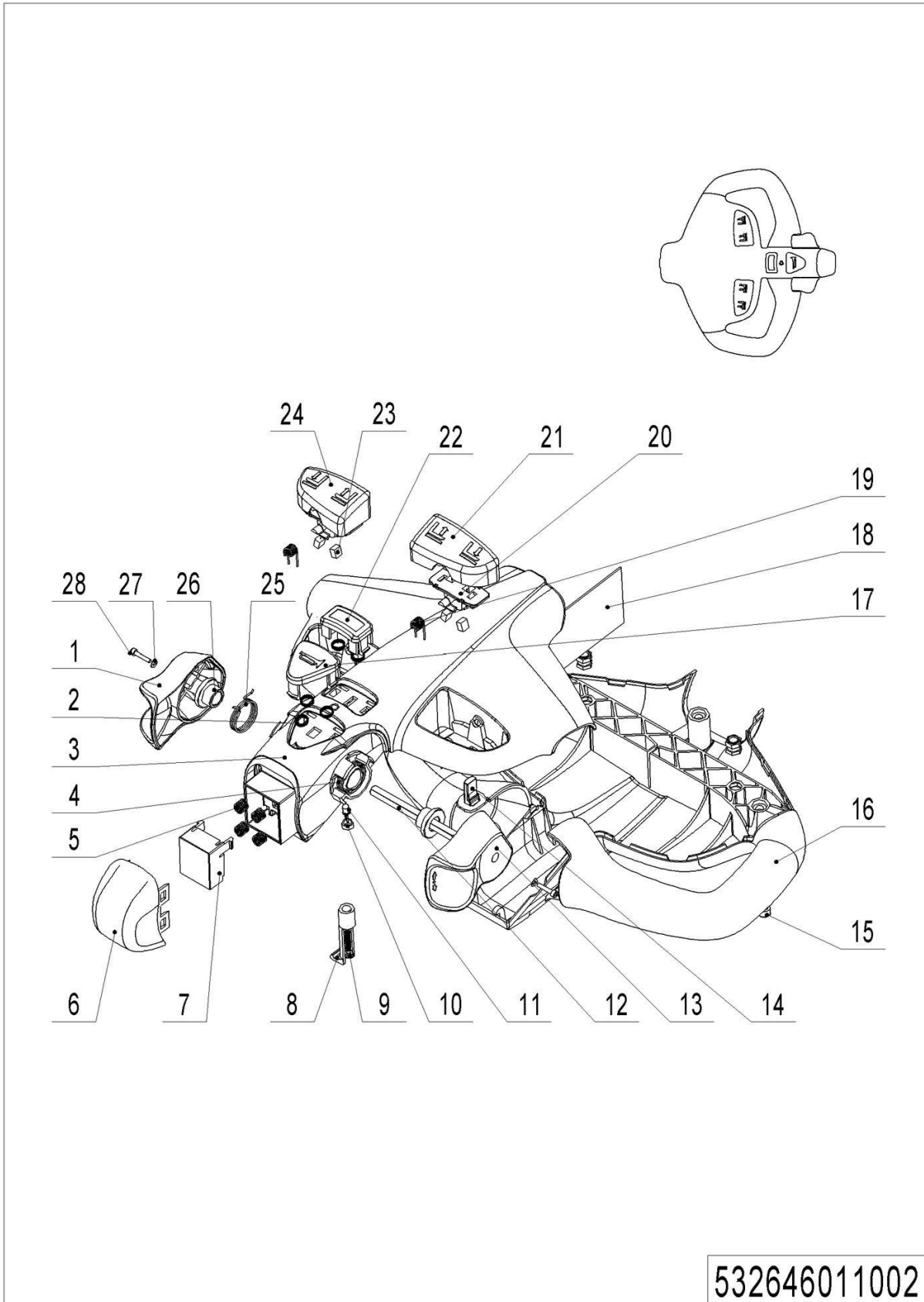
No.	Item Code	Mark	Item Description	Qty.	Substitute	Note
1	505631510001		Bracket	1		
2	910700200041		Bearing	2		
3	910200200032	1	Screw	3		
4	910200200075	1	Screw	4		
5	505631520002		Fixing Base	1		
6	910401300024	1	Circlip	1		
7	505631520005		Link Block	1		
8	910200200013	1	Screw	4		
9	940801200001		Rotary Damper	1		
10	505631520003		Link Block	1		
11	505731520001		Fixing Plate	1		
12	910400100004	1	Flat Washer	4		
13	910400500004	1	Spring Washer	4		
14	910200200023	1	Screw	2		
15	505633010028		Potentiometer	1		

04 Tiller Unit (532646011001)

04 Tiller Unit (532646011001)

No.	Item Code	Mark	Item Description	Qty.	Substitute	Note
1	922100100001		Tiller	1		Check 532646011002
1	922100100012		Tiller	1		Check 532646011003
2	910200200058	1	Screw	2		
3	910200300005	1	Screw	4		
4	505611020013		Close Plate	1		With Foldable platform
4	505611020013		Close Plate	1		Without Foldable platform
5	505611010000		Tiller	1		With Foldable platform
5	505611010001		Tiller	1		Without Foldable platform
6	505633510000		Proximity Switch	1		
7	910200500015	1	Screw	2		
8	940500200002	1	Bushing	2		
9	505611020008		Axle	1		
10	910600400013	1	Spring Pin	1		
11	910200200057	1	Screw	1		
12	505611020010		Protective Cover	1		
13	940400100002		Air Spring	1		With Foldable platform
13	940400100003		Air Spring	1		Without Foldable platform
14	910300500005	1	Nut	2		
15	505611020009		Bracket	1		
16	505611020011		Protective Cover	1		
17	910200300016	1	Screw	4		

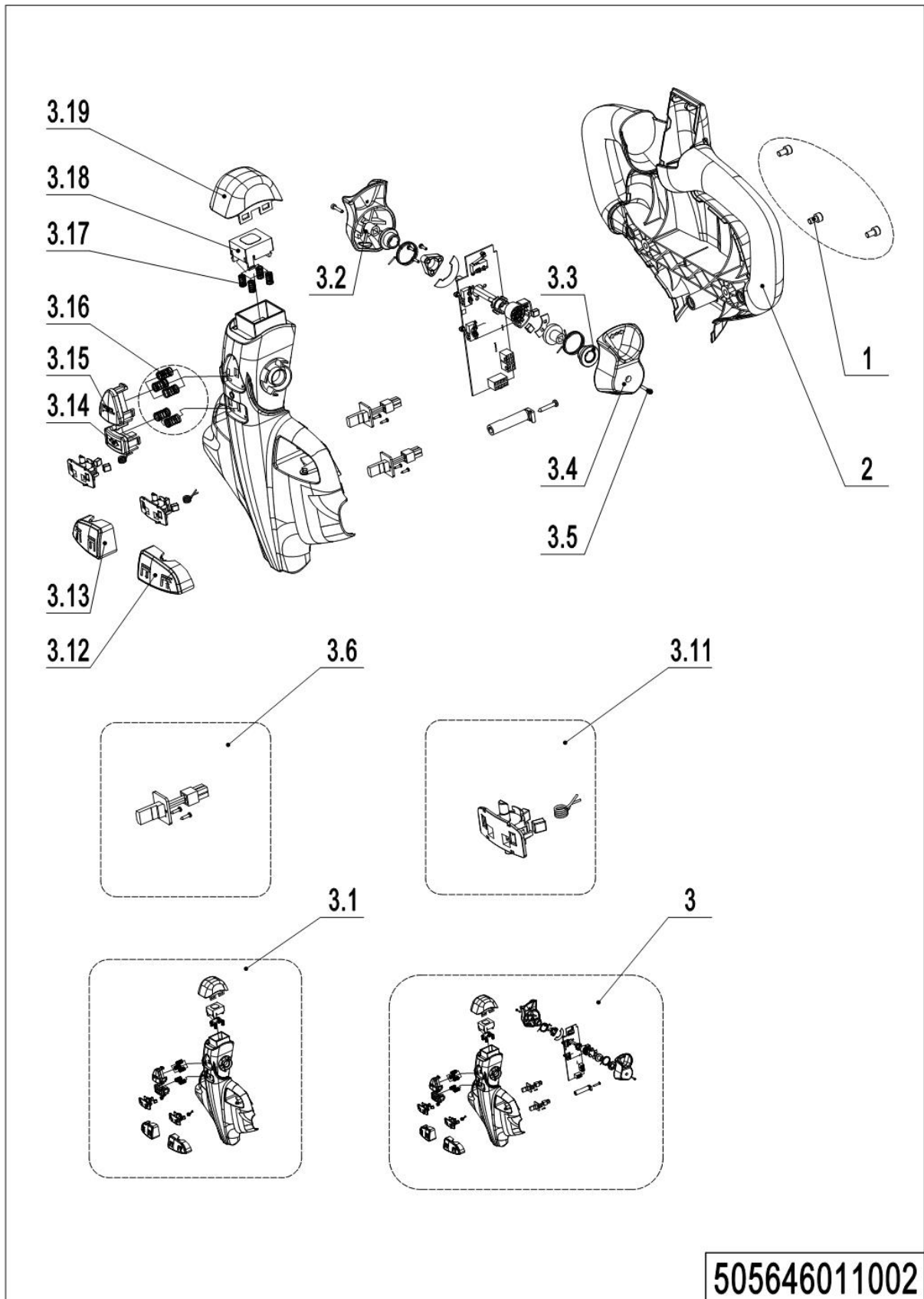
05 Control Handle (532646011002)



05 Control Handle (532646011002)

No.	Item Code	Mark	Item Description	Qty.	Substitute	Note
--	922100100001		Tiller	1		
1	505698520001		Traction lever	1		
2	505698520003		Spring	5		
3	505698520014		Handle Cap	1		
4	505698520026		Torsional Spring	1		
5	505698520006		Spring	4		
6	505698520020		Button Cap-	1		
7	505698520019		Pedestal	1		
8	505698520012		Clamp	1		
9	505698520023		Screw	1		
10	505698520025		Lamp Holder	1		
11	505698520024		Light	1		
12	505698520011		Axle-Traction lever	1		
13	505698520010		Traction lever	1		
14	505698520013		Sensor	2		
15	505698520007		Screw	3		
16	505698520015		Handle Cap	1		
17	505698520002		Horn Button	1		
18	505698520028		circuit Board	1		
19	505698520018		Torsional Spring	2		
20	505698520017		Fixing Base	2		
21	505698520022		Button Cap	1		
22	505698520021		Button Cap	1		
23	505698520005		Magnet	4		
24	505698520016		Button cap	1		
25	505698520027		Torsional Spring	1		
26	505698520004		Sleeve	2		
27	505698520009		Washer	2		
28	505698520008		Screw	2		

06 Control Handle (505646011002)

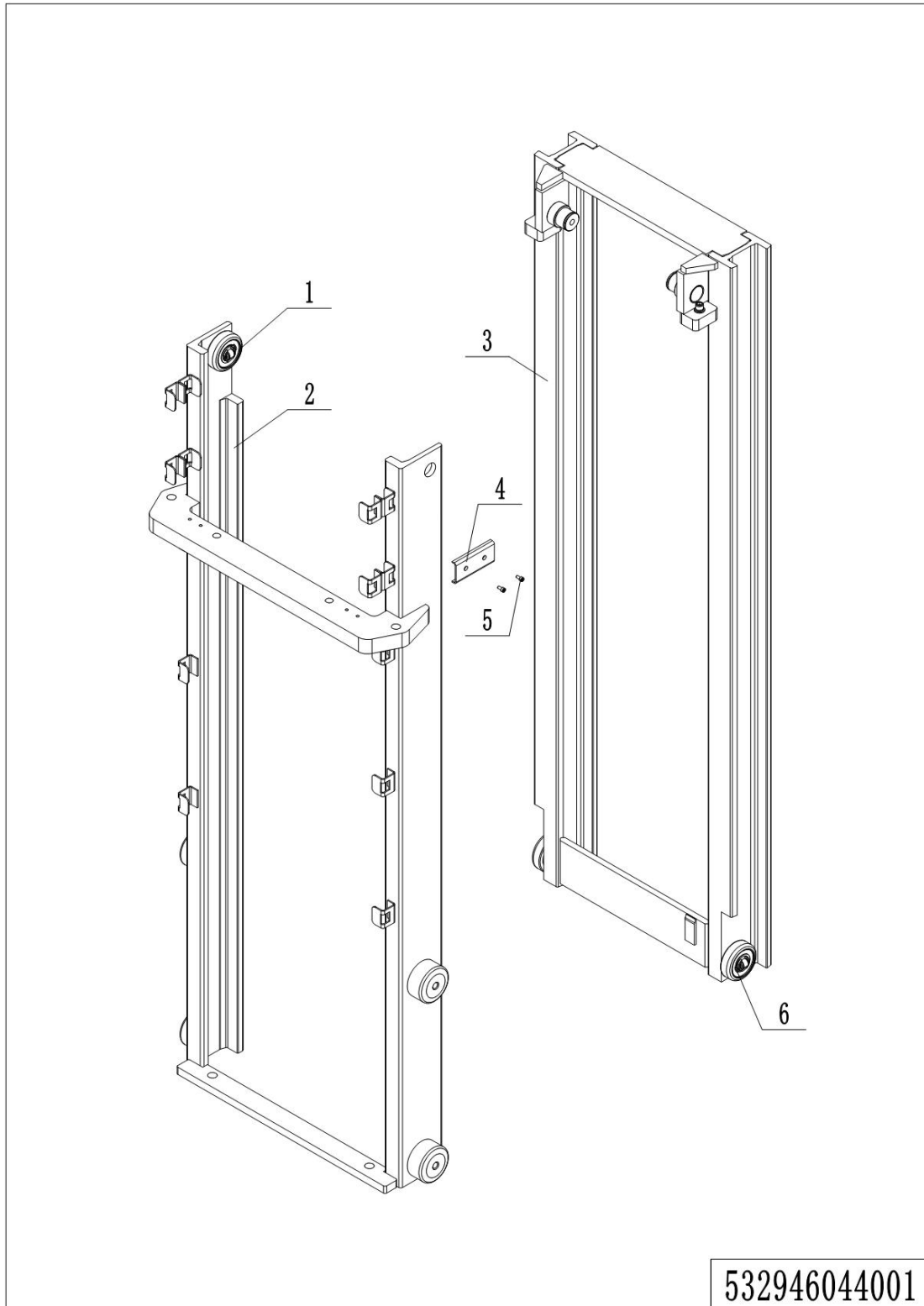


06 Control Handle (505646011002)

No.	Item Code	Mark	Item Description	Qty.	Substitute	Note
1	910200200032	1	Screw	3		M6×10
2	505698520124	2	Handle Cap	1		
3	505698510024	2	Handle Cap Kit	1		
3.1	505698510021	2	Handle Cap Kit	1		
3.11	505698510023	2	Sensor	1		
3.12	505698520113	2	Button	1		
3.13	505698520114	2	Button	1		
3.14	505698520115	2	Button	1		
3.15	505698520116	2	Button	1		
3.16	505698520117	2	Spring	5		
3.17	505698520118	2	Spring	4		
3.18	505698520119	2	Cover	1		
3.19	505698520120	2	Cover	1		
3.2	505698520121	2	Traction lever	1		
3.3	505698520122	2	Sleeve	2		
3.4	505698520123	2	Traction lever	1		
3.5	910200200004	1	Screw	2		M3×16
3.6	505698510022	2	Magnetic Steel Base Kit	1		

Chapter 5: Mast system

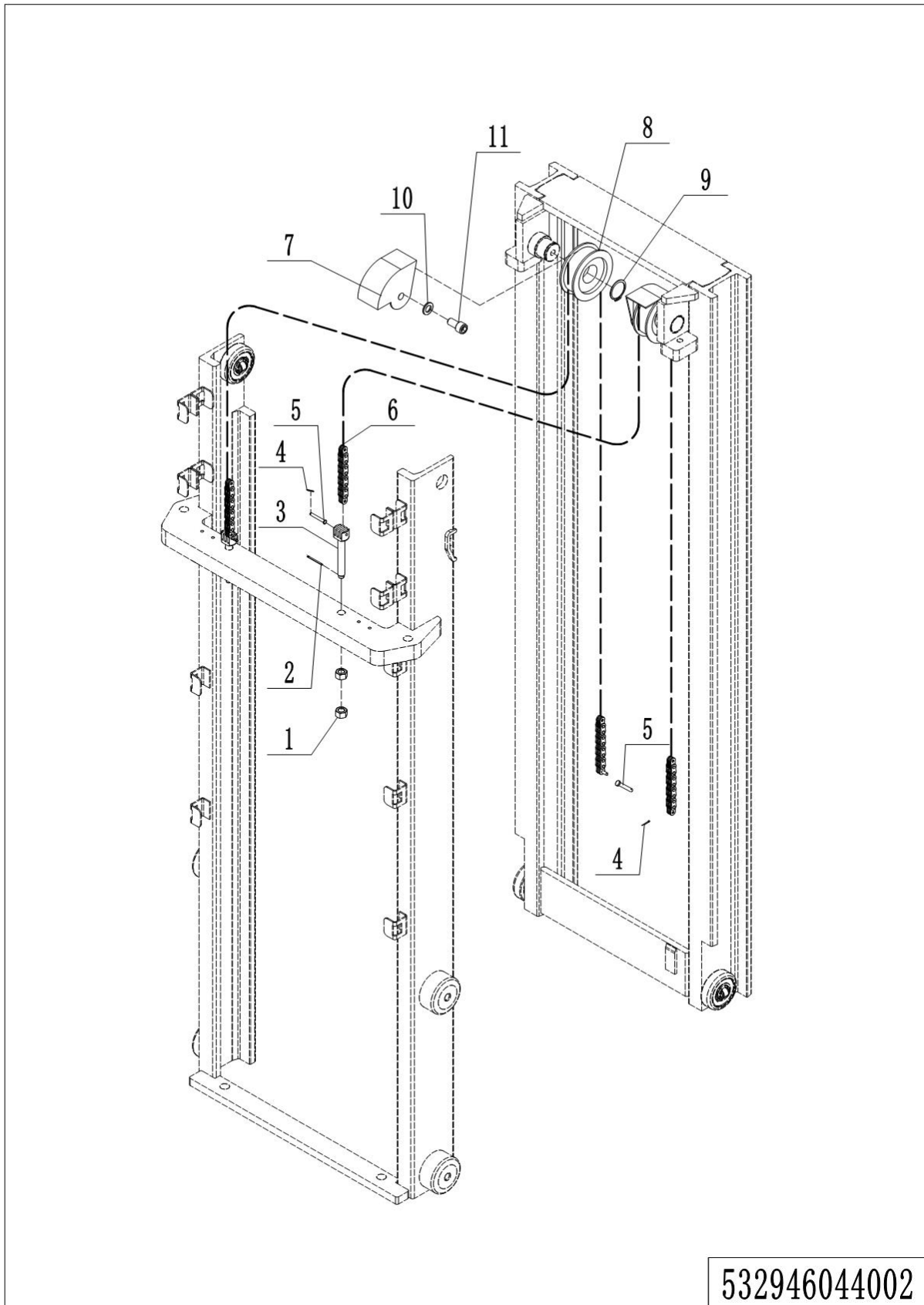
01 Mast system (532946044001)



1= Supply as package. 2= Supply with constraints. 3= Phasing-out supply. 4= Supply as assembly. 5= Check other tables.

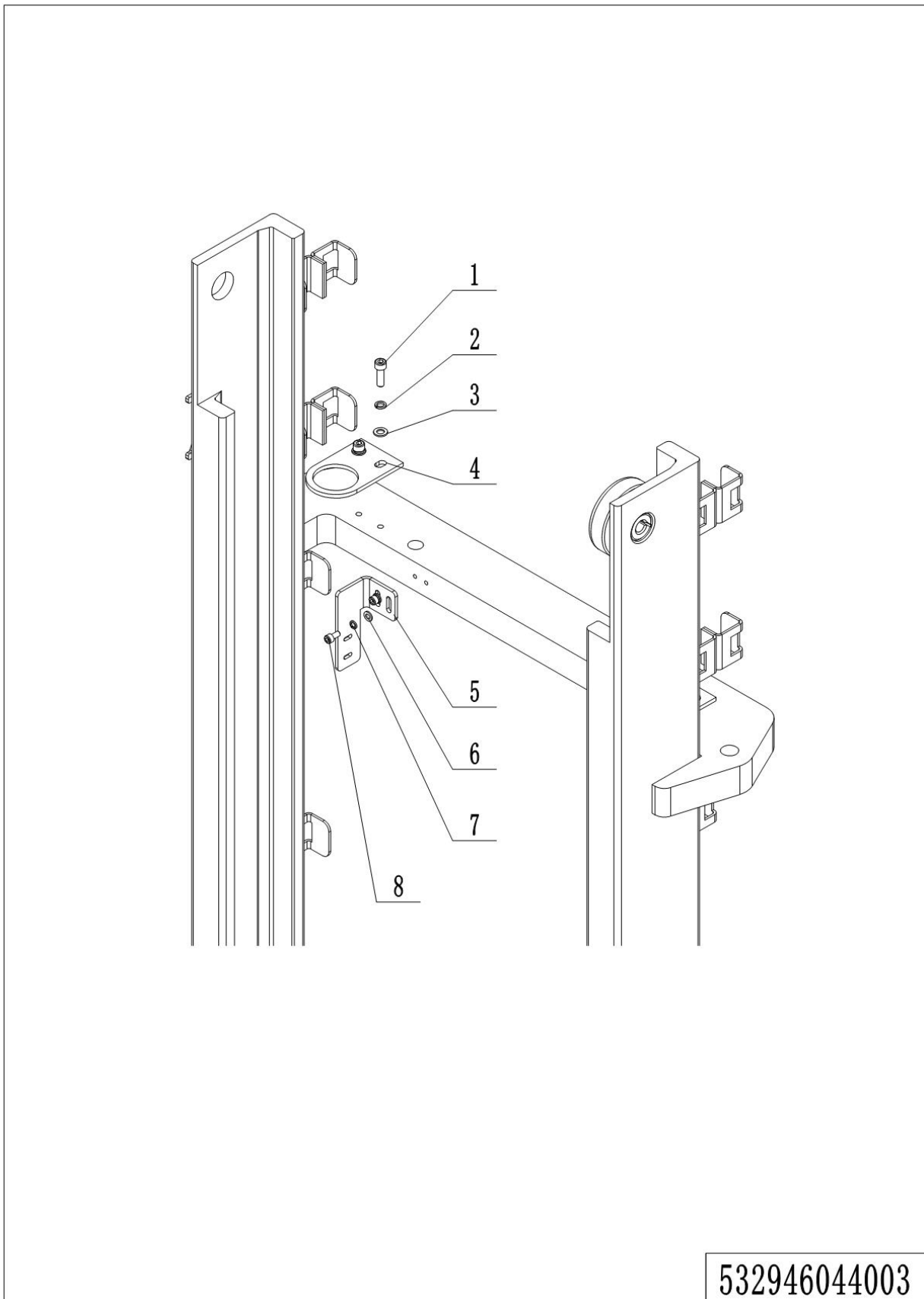
01 Mast system (532946044001)

No.	Item Code	Mark	Item Description	Qty.	Substitute	Note
1	940200300020		Compound Roller	2		
2	532944010017	2	Outer Mast(2900)	1		2900
2	532944010019	2	Outer Mast(2600)	1		2600
2	532944010021	2	Outer Mast(3600)	1		3600
3	532944010018	2	Inner Mast(2900,3020)	1		2900
3	532944010020	2	Inner Mast(2600,3020)	1		2600
3	532944010022	2	Inner Mast(3600,3020)	1		3600
4	532944010013		Protective Cover	1		
5	910200200033	1	Screw	2		
6	940200300022		Compound Roller	2		

02 Mast lifting system (532946044002)

02 Mast lifting system (532946044002)

No.	Item Code	Mark	Item Description	Qty.	Substitute	Note
1	910300200008	1	Nut	4		
2	910600600023	1	Cotter Pin	2		
3	941300100008		Chain Bolt	2		
4	910600600015	1	Cotter Pin	4		
5	910600700019	1	Pin	4		
6	532644510074		Chain	2		
6	532944010015		Chain	2		
6	532944010016		Chain	2		
7	532944010012		Protective Cover	2		
8	940200500002		Sprocket Bearing	2		
9	910401300022	1	Circlip	2		
10	910400100010	1	Flat Washer	2		
11	910200200119	1	Screw	2		

03 Mast other accessories (532946044003)

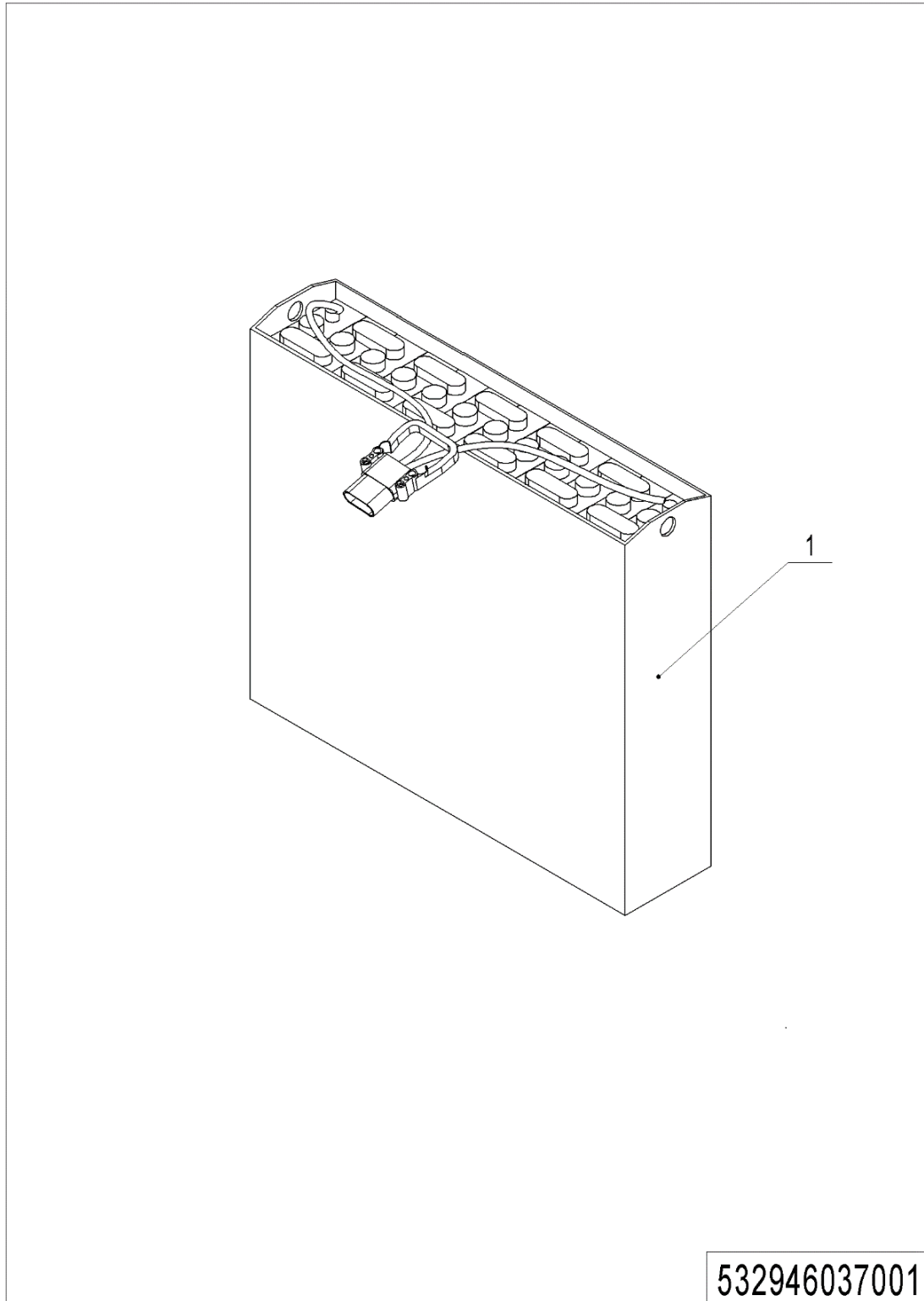
1= Supply as package. 2= Supply with constraints. 3= Phasing-out supply. 4= Supply as assembly. 5= Check other tables.

03 Mast other accessories (532946044003)

No.	Item Code	Mark	Item Description	Qty.	Substitute	Note
1	910200200058	1	Screw	4		
2	910400500006	1	Spring Washer	4		
3	910400100006	1	Flat Washer	4		
4	532944020028		Fixing Plate	2		
5	532944020027		Mounting Plate	1		
6	910200200033	1	Screw	2		
7	910400500005	1	Spring Washer	2		
8	910400100005	1	Flat Washer	2		

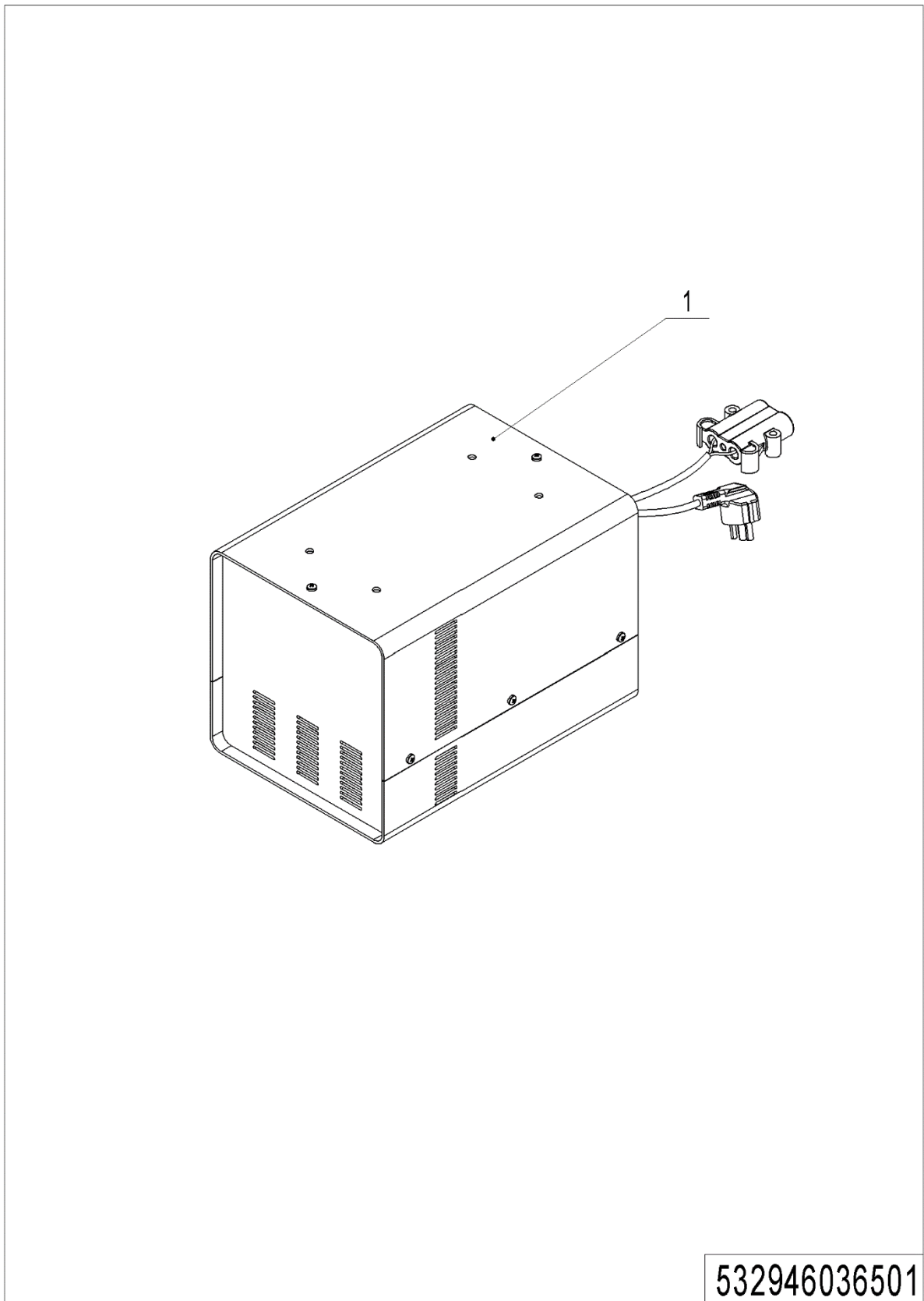
Chapter 6: Electrical Parts

01 Traction Battery (532946037001)



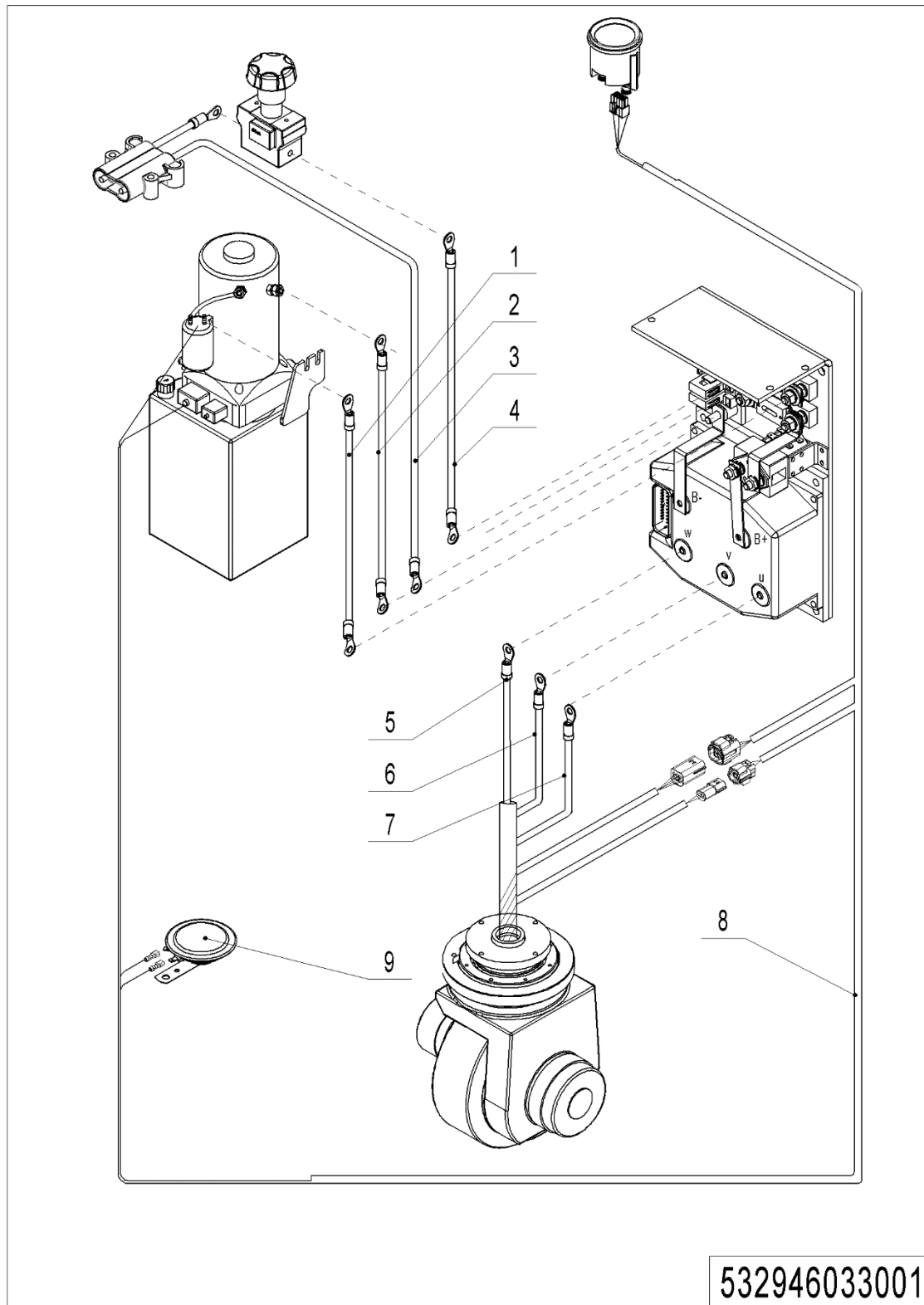
01 Traction Battery (532946037001)

No.	Item Code	Mark	Item Description	Qty.	Substitute	Note
1	532637010002		Battery24V350Ah(welded)	1		
1	532637010003		Battery24V350Ah	1		
1	532937010001		Battery24V270Ah(welded)	1		
1	532937010002		Battery24V270Ah	1		

02 Charger (532946036501)

02 Charger (532946036501)

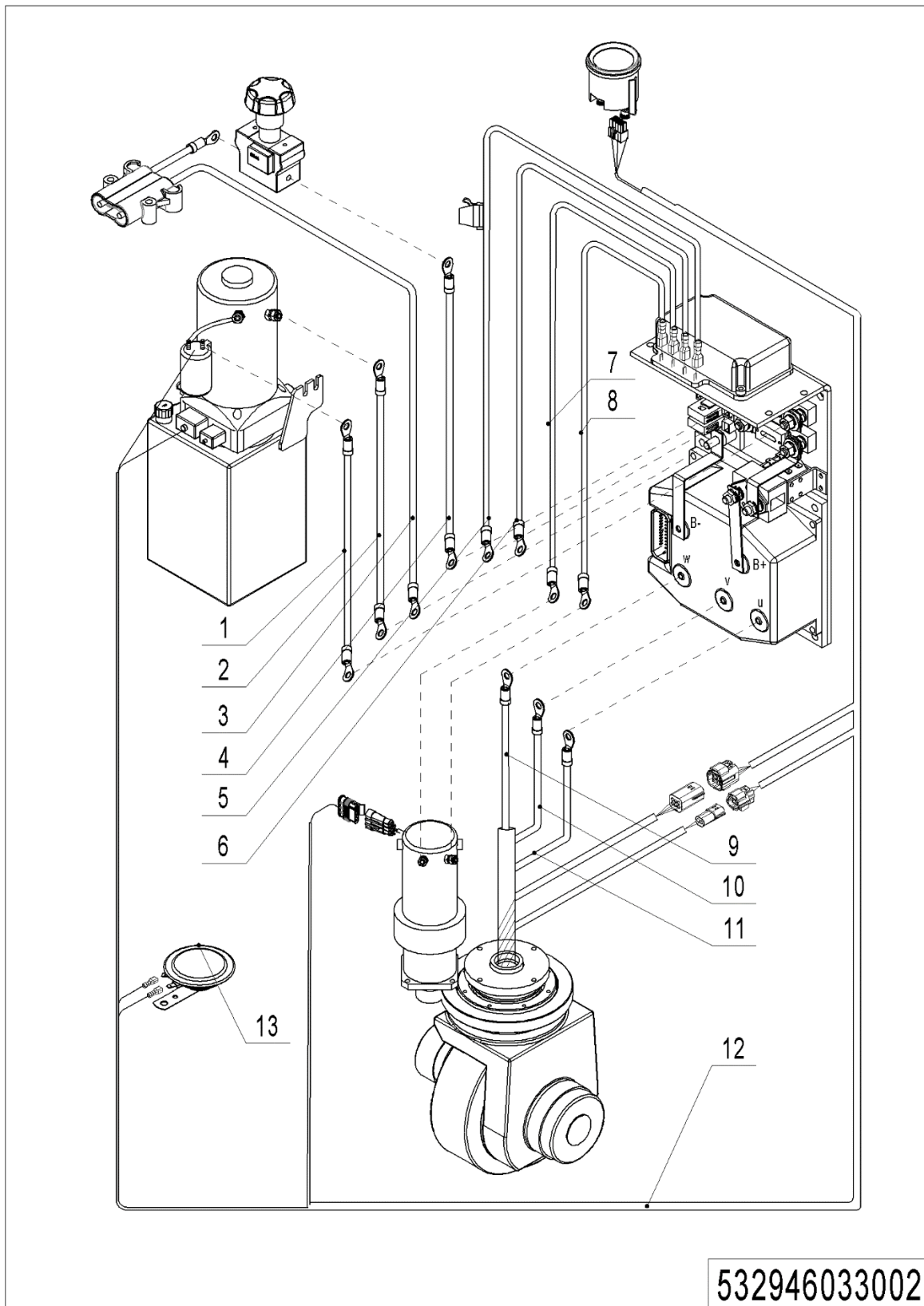
No.	Item Code	Mar	Item Description	Qty.	Substitute	Note
1	921000200019		Charger24V45A(Aisa-CHN)	1		
1	921000200020		Charger24V45A(Aisa-ENG)	1		
1	921000200021		Charger24V45A(EU)	1		
1	921000200022		Charger24V45A(AUS)	1		
1	921000200023		Charger24V45A(ENG)	1		
1	921000200024		Charger24V45A(USA)	1		
1	921000200155		Charger24V40A(Aisa-CHN)	1		
1	921000200156		Charger24V40A(Aisa-ENG)	1		
1	921000200183		Charger24V35A(Aisa-CHN)	1		
1	921000200184		Charger24V35A(Aisa-ENG)	1		
1	921000200185		Charger24V35A(EU)	1		
1	921000200186		Charger24V35A(ENG)	1		
1	921000200187		Charger24V35A(AUS)	1		
1	921000200188		Charger24V35A(USA)	1		

03 Wire Harness (Manual steering) (532946033001)

03 Wire Harness (Manual steering) (532946033001)

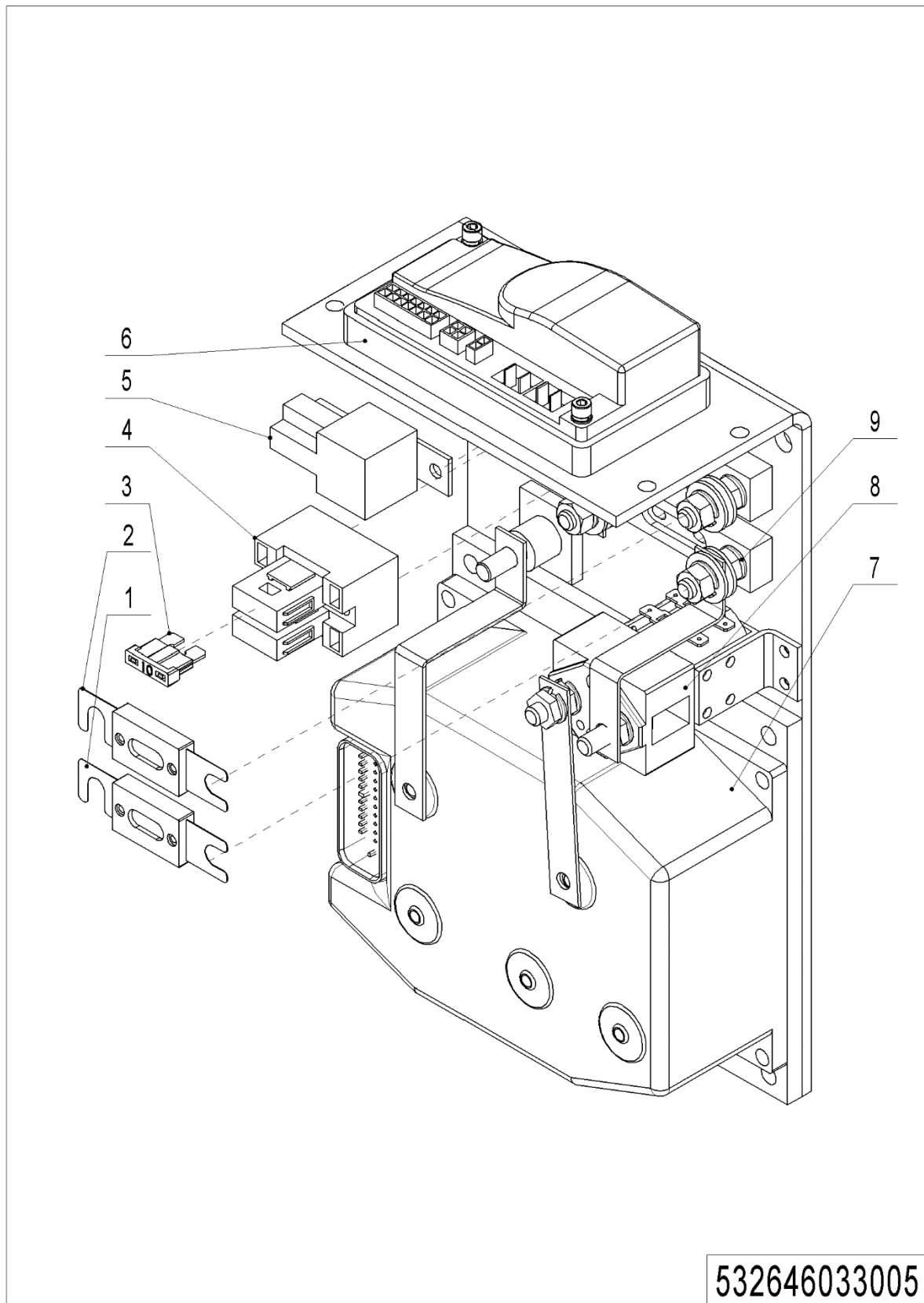
No.	Item Code	Mark	Item Description	Qty.	Substitute	Note
1	532633010002		Cable	1		
2	532633010012		Cable	1		
3	532933010000		Wire Harness	1		
4	505633010005		Cable	1		
5	505633010002		Cable	1		
6	505633010017		Cable	1		
7	505633010018		Cable	1		
8	532633010000		Wire Harness	1		
9	920500100001		Horn	1		

04 Wire Harness (Electrical steering) (532946033002)



04 Wire Harness (Electrical steering) (532946033002)

No.	Item Code	Mark	Item Description	Qty.	Substitute	Note
1	532633010002		Cable	1		
2	532633010012		Cable	1		
3	532633010003		Wire Harness	1		
4	505633010005		Cable	1		
5	505633010014		Wire Harness	1		
6	505633010026		Cables	1		
7	505633010015		Cables	1		
8	505633010027		Cables	1		
9	505633010008		Cable	1		
10	505633010020		Cable	1		
11	505633010021		Cable	1		
12	532633010009		Wire Harness	1		
13	920500100001		Horn	1		

05 Electric control assembly (532646033005)

1= Supply as package. 2= Supply with constraints. 3= Phasing-out supply. 4= Supply as assembly. 5= Check other tables.

05 Electric control assembly (532646033005)

No.	Item Code	Mark	Item Description	Qty.	Substitute	Note
1	920100100007		Fuse	1		
2	920100100008		Fuse	1		
3	920100200002		Fuse	1		
4	920100400005		Fuse Holder	1		
5	920800100001		Relay	1		
6	921400100003		Controller	1		
7	921400100006		Controller	1		
8	920700100004		Contacto	1		
9	920100400002		Fuse Holder	1		

06 Lift Limit Sensor (532946033006)

Truck Model	Length			
	2500	2700		
CS2026D		√		
CS2029D	√			
CS2036D	√			

532946033006

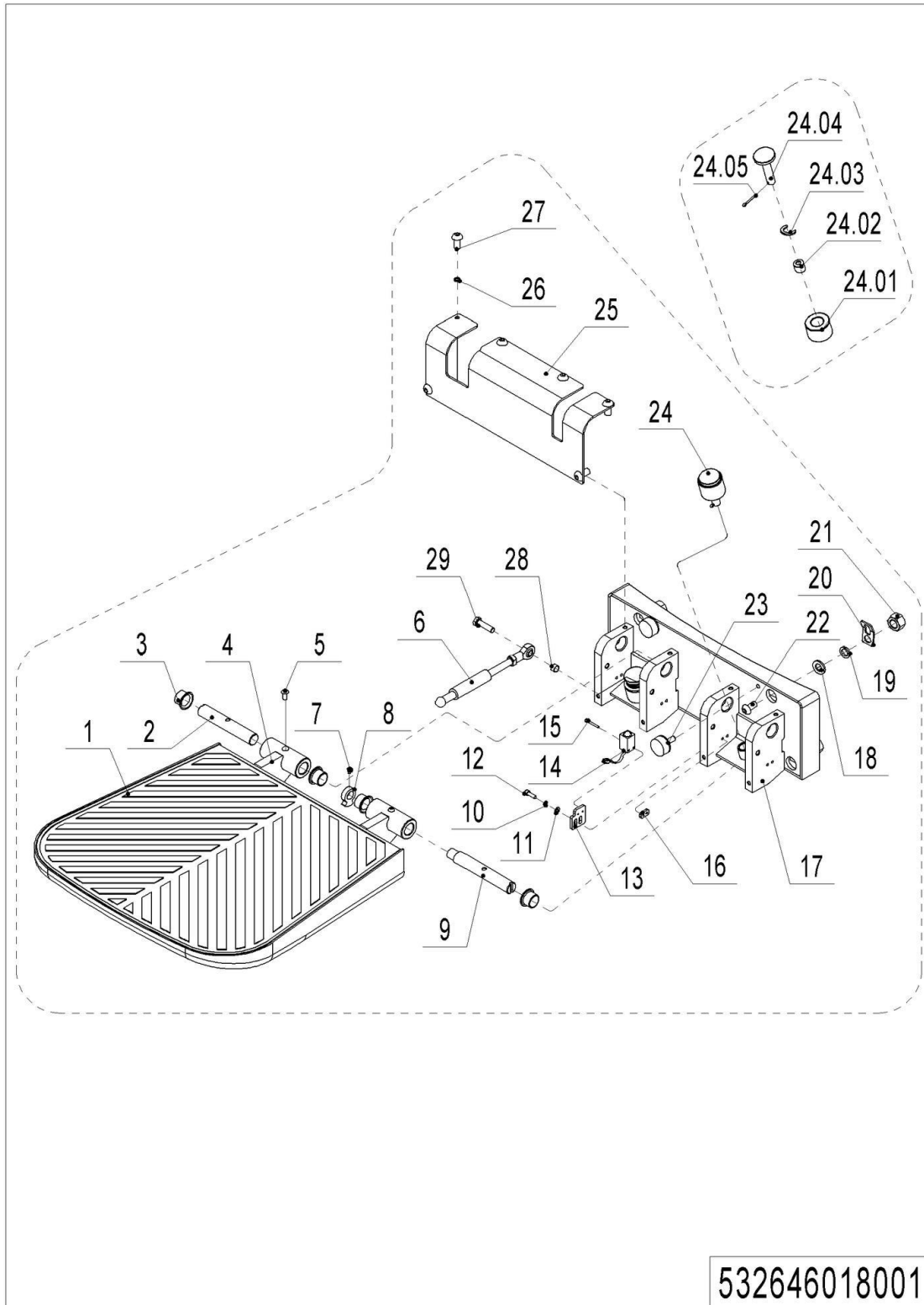
 1= Supply as package. 2= Supply with constraints. 3= Phasing-out supply. 4= Supply as assembly. 5= Check other tables.

06 Lift Limit Sensor (532946033006)

No.	Item Code	Mark	Item Description	Qty.	Substitute	Note
1	920200300001		Microswitch	1		
2	532633010001		Wire Harness	1		
2	532633010013		Wire Harness	1		
2	532633010014		Wire Harness	1		
2	532633010015		Wire Harness	1		
2	532633010016		Wire Harness	1		
3	532633510003		Switch	1		

Chapter 7: Special Parts

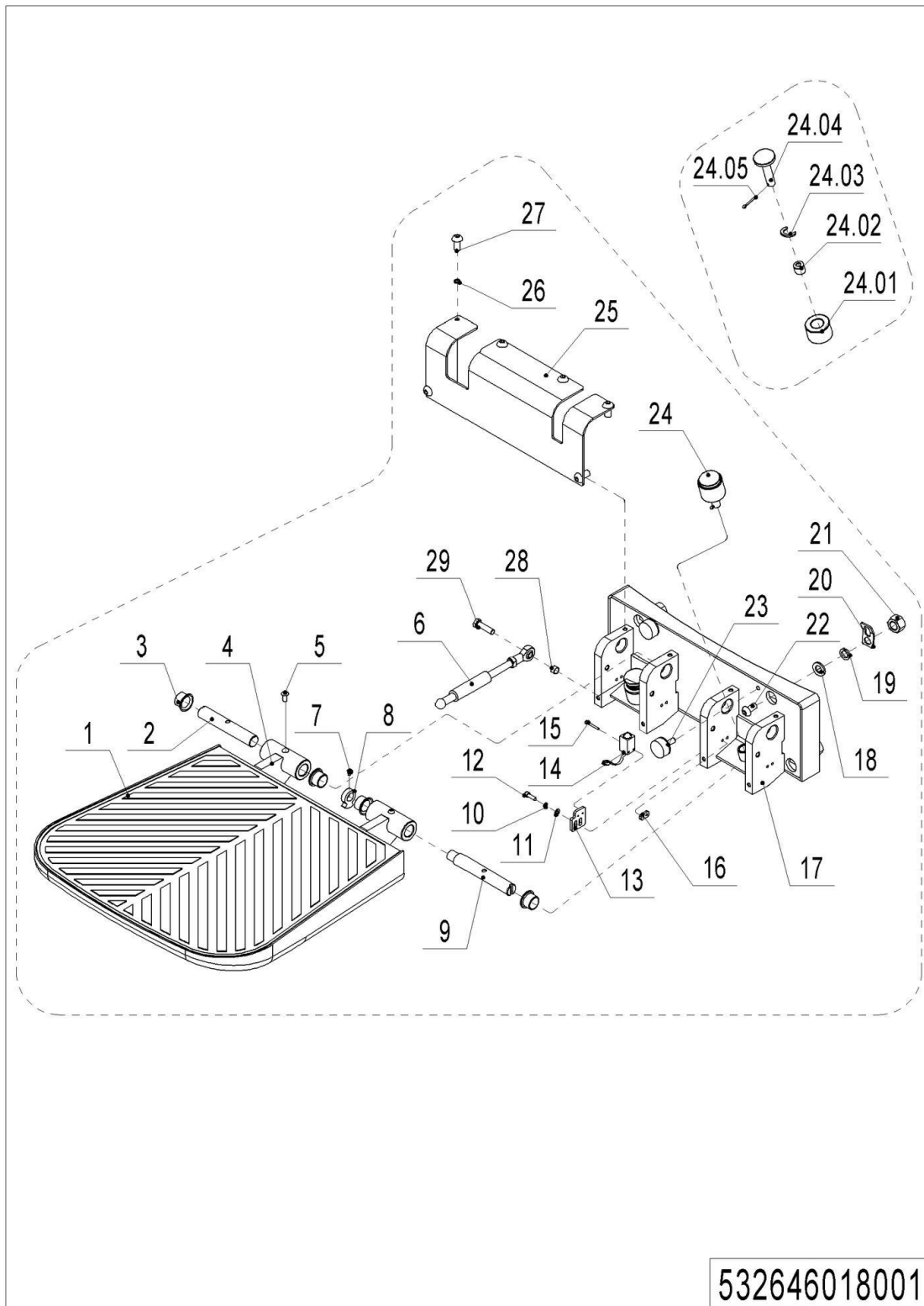
01 Footboard Kit (532646018001)



1= Supply as package. 2= Supply with constraints. 3= Phasing-out supply. 4= Supply as assembly. 5= Check other tables.

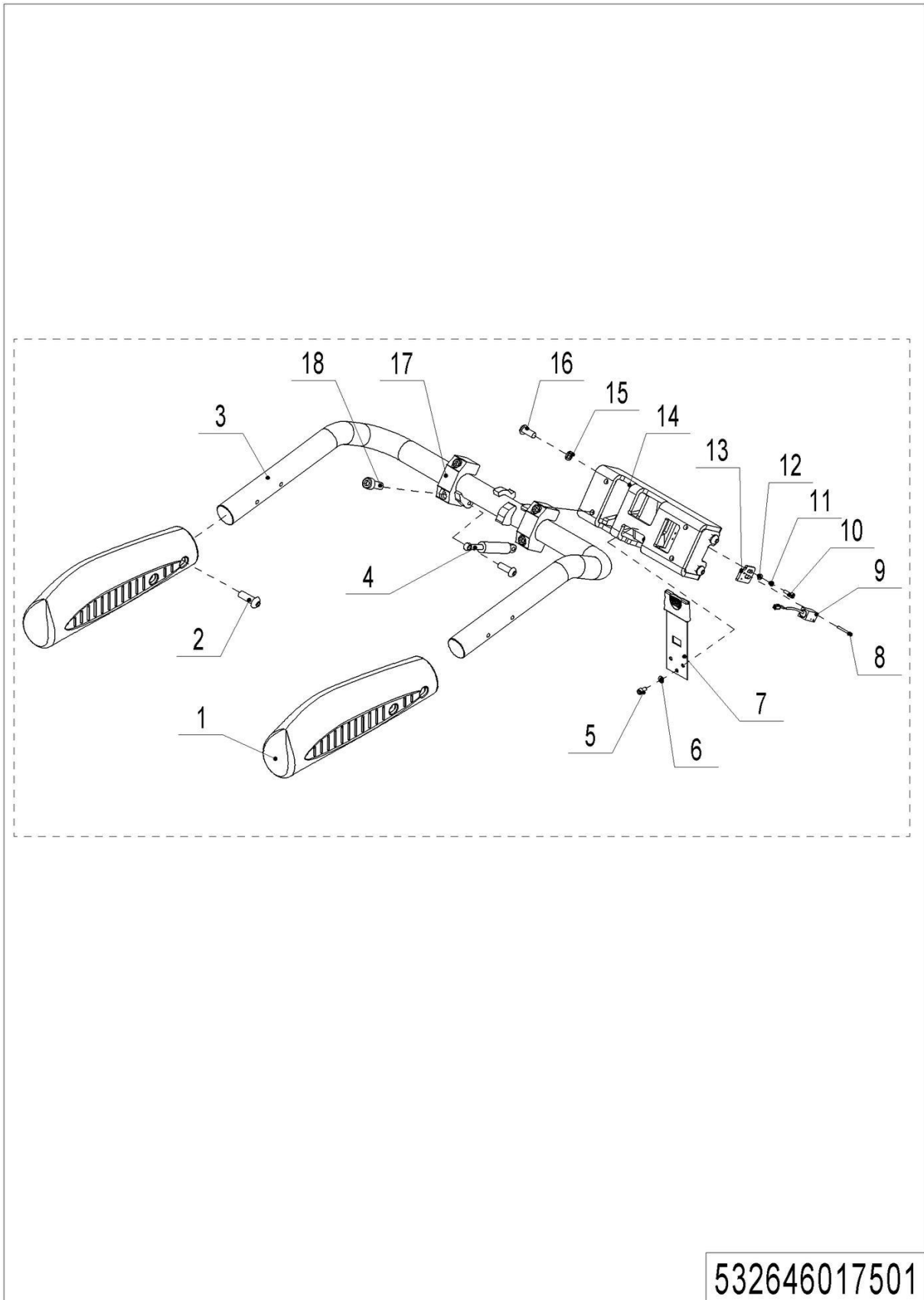
01 Footboard Kit (532646018001)

No.	Item Code	Mark	Item Description	Qty.	Substitute	Note
--	505618001000		Footboard Kit	1		
1	505618020018		Rubber Mat	1		
2	505618020020		Axle	1		
3	940500200008	1	Bushing	4		
4	505618010000		Platform	1		
5	910200300018	1	Screw	2		
6	940400100039		Air Spring	1		
7	910300400006	1	Nut	1		
8	505618020024		Cam	1		
9	505618020017		Pin	1		
10	910400500004	1	Spring Washer	2		
11	910400100004	1	Flat Washer	2		
12	910200200023	1	Screw	2		
13	505618020026		Mounting Plate	1		
14	910200500015	1	Screw	2		
15	505633510002		Proximity Switch	1		
16	505618020027		Mounting Plate	1		
17	505618010001		Mounting Base	1		
18	910400100008	1	Flat Washer	4		
19	910400500008	1	Spring Washer	4		
20	505618020025		Pipe Clip	1		
21	910300500006	1	Nut	4		
22	910200200100	1	Screw	4		
23	505618020016		Crash Pad	2		
24	505698510002		Buffer Kits	2		
24.01	505618020029		Crash Pad	2		
24.02	505618020030		Sleeve	2		
24.03	505618020032		Pad	2		
24.04	505618020021		Pin	2		

01 Footboard Kit (532646018001) Continuation

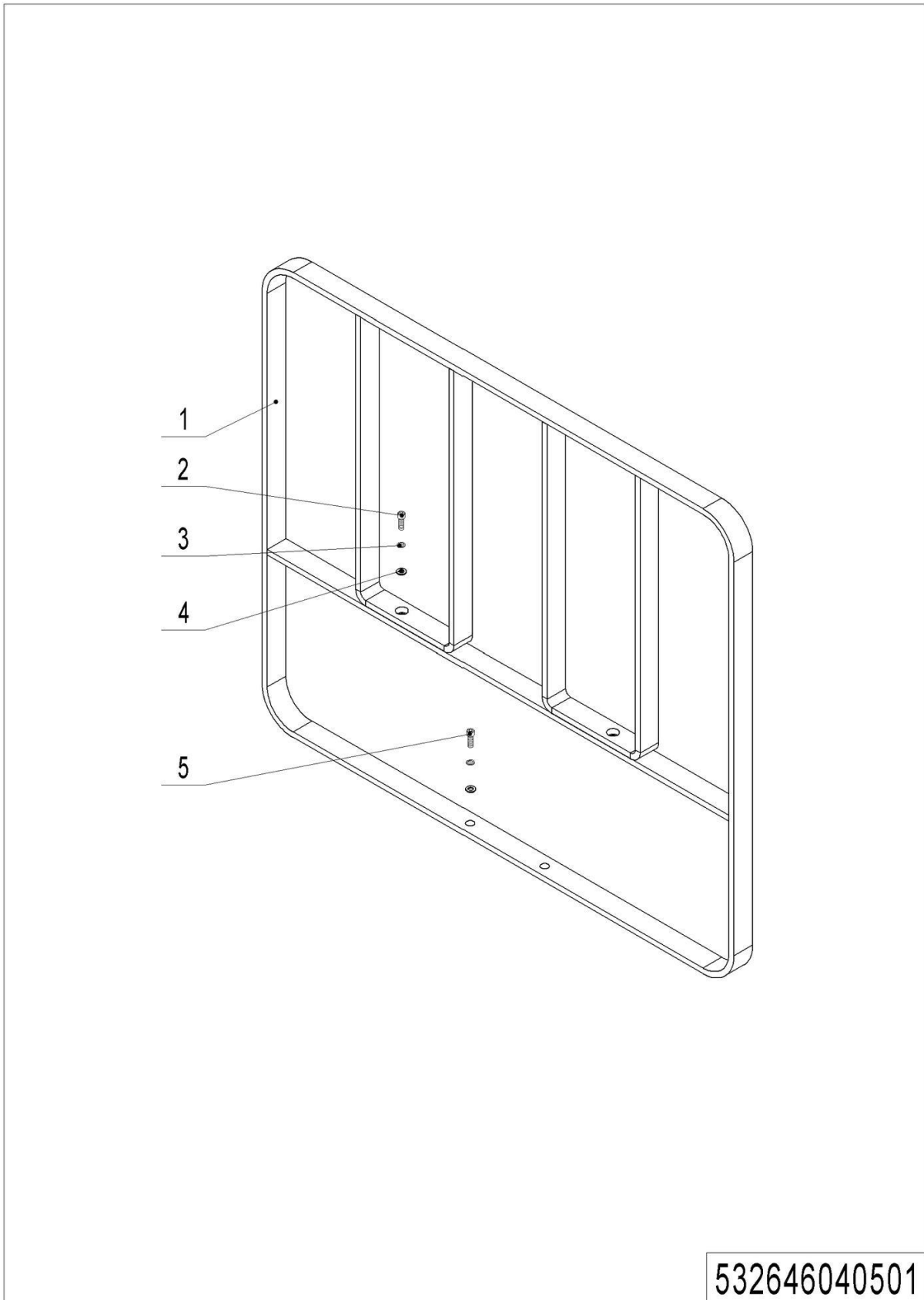
01 Footboard Kit (532646018001) Continuation

No.	Item Code	Mark	Item Description	Qty.	Substitute	Note
24.05	910600600026	1	Cotter Pin	2		
25	505618020019		Protective Cover	1		
26	910400500005	1	Spring Washer	6		
27	910200300017	1	Screw	6		
28	505618020028		Spacer Bush	1		
29	910100300024	1	Bolt	1		

02 Protective Arm Assembly (532646017501)

02 Protective Arm Assembly (532646017501)

No.	Item Code	Mark	Item Description	Qty.	Substitute	Note
--	505617501000		Protective Arm Assembly	1		
1	505617510002		Guard Arm Sleeve	1		
2	910200300025	1	Screw	5		
3	505617510001		Guard Arm	1		
4	940400100006		Air Spring	1		
5	910200300017	1	Screw	3		
6	910400500005	1	Spring Washer	3		
7	505617510005		Leaf Spring	1		
8	910200500015	1	Screw	2		
9	505633510001		Proximity Switch	1		
10	910400500004	1	Spring Washer	2		
11	910400100004	1	Flat Washer	2		
12	910200200023	1	Screw	2		
13	532617520001		Mounting Plate	1		
14	505617510000		Base	1		
15	910400500007	1	Spring Washer	4		
16	910100300036	1	Bolt	4		
17	505617520005		Fixing Base	2		
18	910200200080	1	Screw	4		

03 Load Backrest (532646040501)

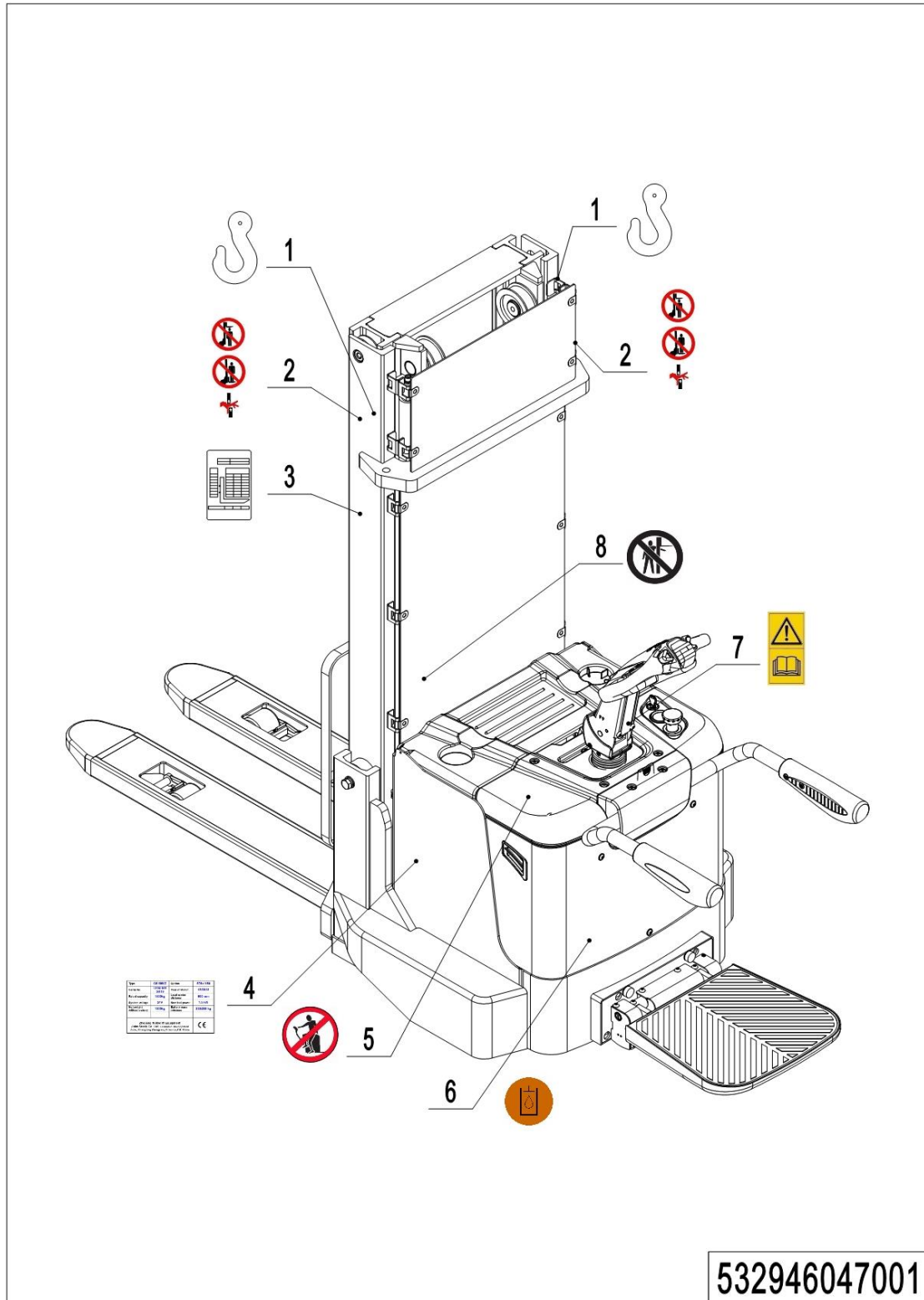
1= Supply as package. 2= Supply with constraints. 3= Phasing-out supply. 4= Supply as assembly. 5= Check other tables.

03 Load Backrest (532646040501)

No.	Item Code	Mark	Item Description	Qty.	Substitute	Note
1	532640510001		Load Backrest	1		
2	910200200076	1	Screw	2		
3	910400100007	1	Flat Washer	4		
4	910400500007	1	Spring Washer	4		
5	910200200078	1	Screw	2		

Chapter 8: Others

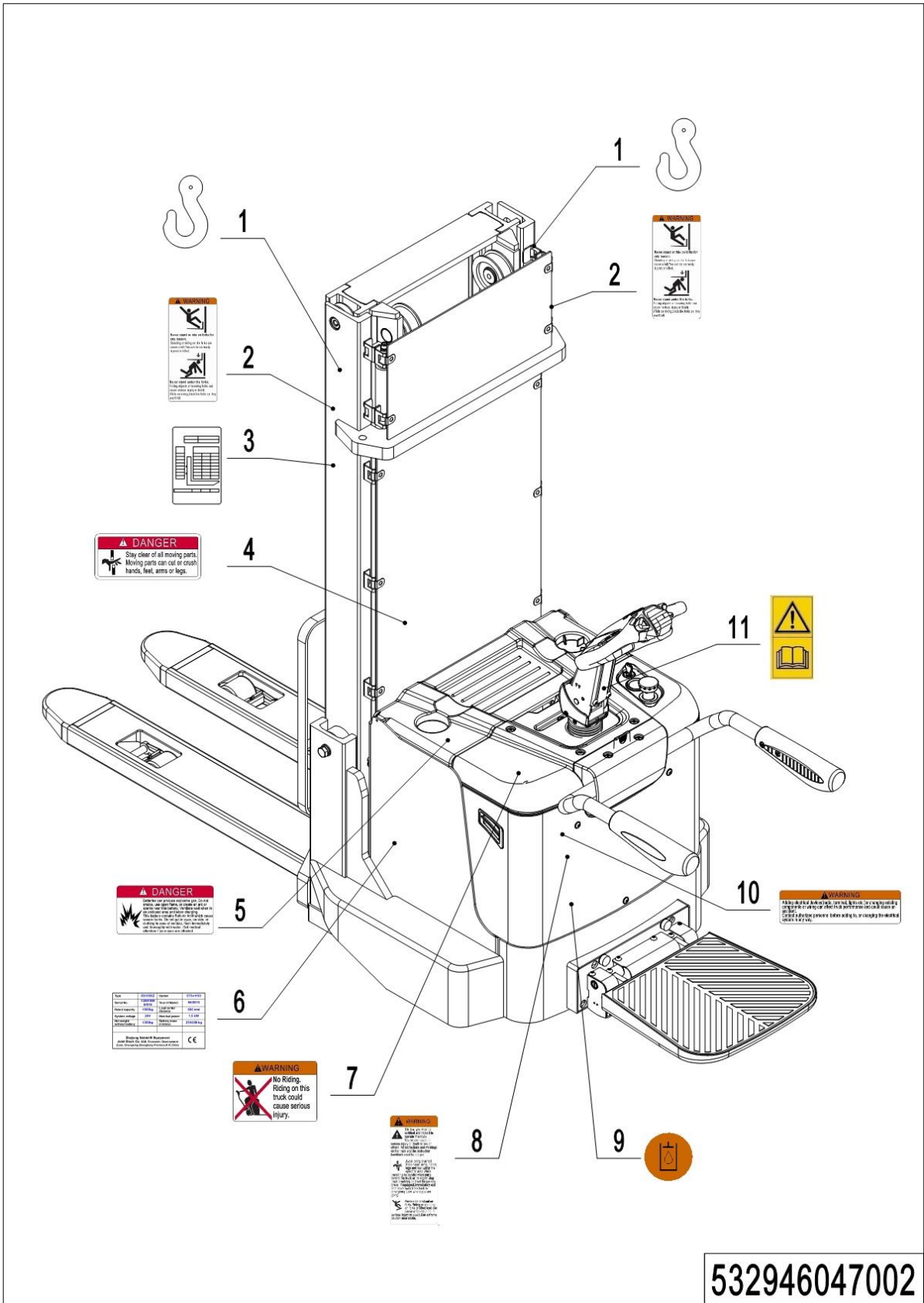
01 Label and Decal (532946047001)



01 Label and Decal (532946047001)

No.	Item Code	Mark	Item Description	Qty.	Substitute	Note
1	941200300001		Label	2		
2	941200100004		Label	2		
3	532998520001		Load Capacity Diagram	1		
4	532998520002		Truck data plate	1		
5	941200100003		Label	1		
6	941200300003		Label	1		
7	941200300002		Label	1		
8	941200100006		Label	1		

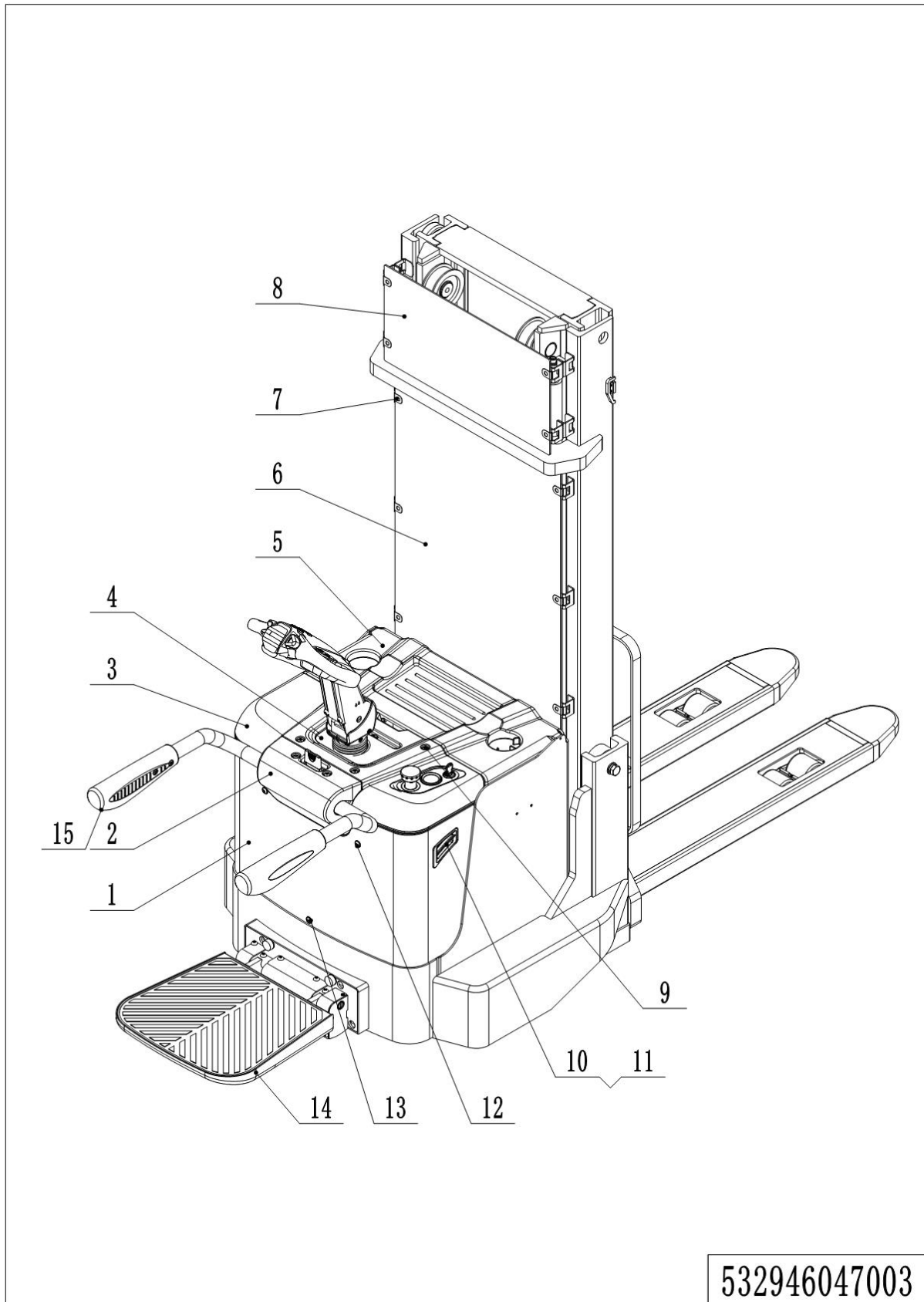
02 Label and Decal (USA) (532946047002)



1= Supply as package. 2= Supply with constraints. 3= Phasing-out supply. 4= Supply as assembly. 5= Check other tables.

02 Label and Decal (USA) (532946047002)

No.	Item Code	Mark	Item Description	Qty.	Substitute	Note
1	941200300001		Label	2		
2	941200100016		Label	2		
3	532998520001		Load Capacity Diagram	1		
4	941200100014		Label	1		
5	941200100013		Label	1		
6	532998520002		Truck data plate	1		
7	941200100011		Label	1		
8	941200100009		Label	1		
9	941200300003		Label	1		
10	941200100010		Label	1		
11	941200300002		Label	1		

03 Outline (532946047003)

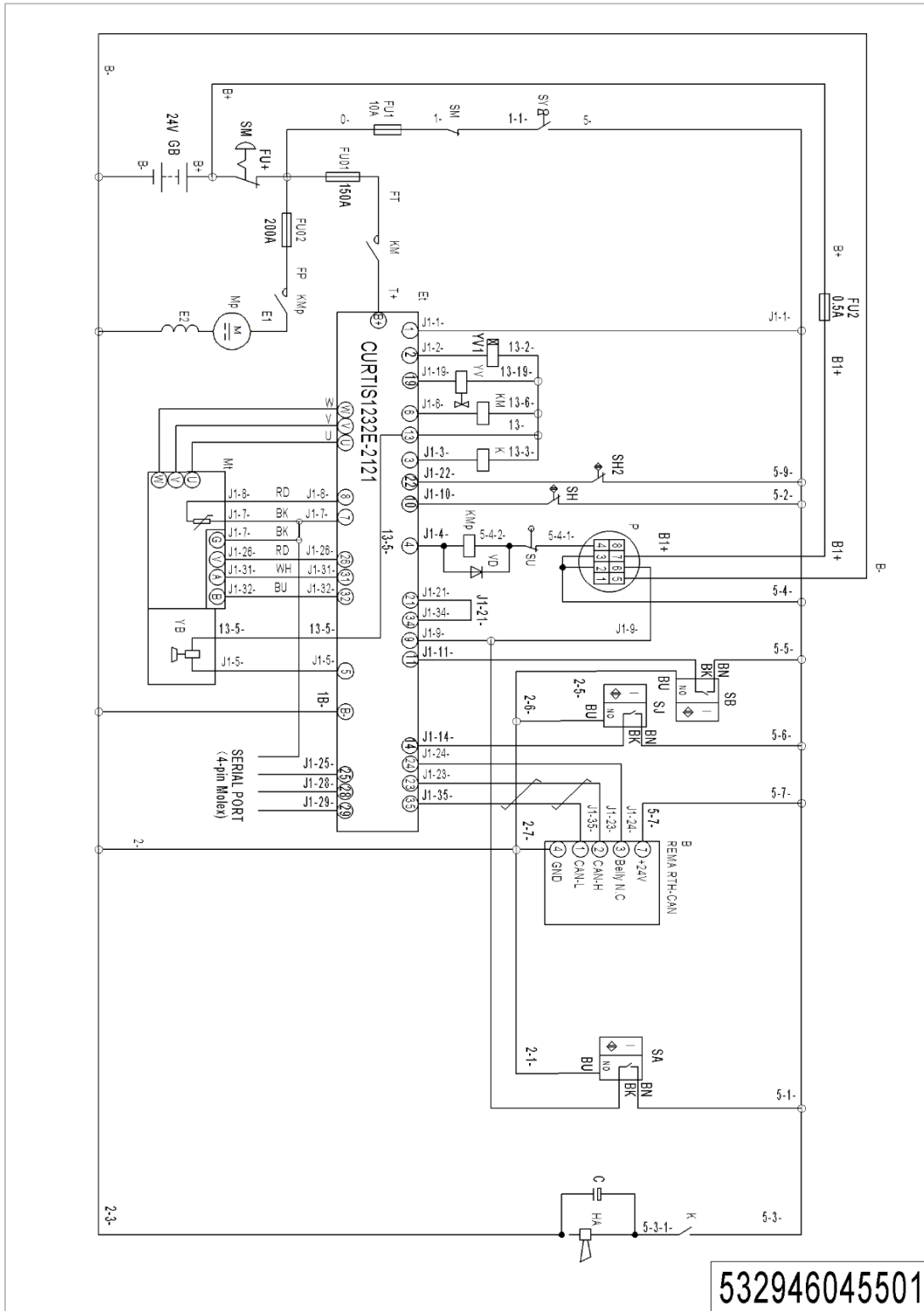
1= Supply as package. 2= Supply with constraints. 3= Phasing-out supply. 4= Supply as assembly. 5= Check other tables.

03 Outline (532946047003)

No.	Item Code	Mark	Item Description	Qty.	Substitute	Note
1	505621510001		Apron	1		
2	505621520025		Protective Cover	1		With Foldable platform
2	505621520043		Protective Cover	1		Without Foldable platform
3	505621520024		Protective Cover	1		
4	505621520026		Protective Cover	1		
5	532621010001		Cell Cover	1		Check 532646021001
6	532944020023		Guard Plate	1		2900
6	532944020024		Guard Plate	1		2600
6	532944020025		Guard Plate	1		3600
7	940400300001		Spring Buckle	10		
8	532944020026		Guard Plate	1		
9	941100100002		Screw	2		
10	505621510004		Vent Kit	1		
11	505621510003		Vent Kit	1		
12	941100100003		Screw	7		
13	941100100008		Screw	1		
14	505618001000		Footboard Kit	1		Check 532646018001
15	505617501000		Protective Arm Assembly	1		Check 532646017501

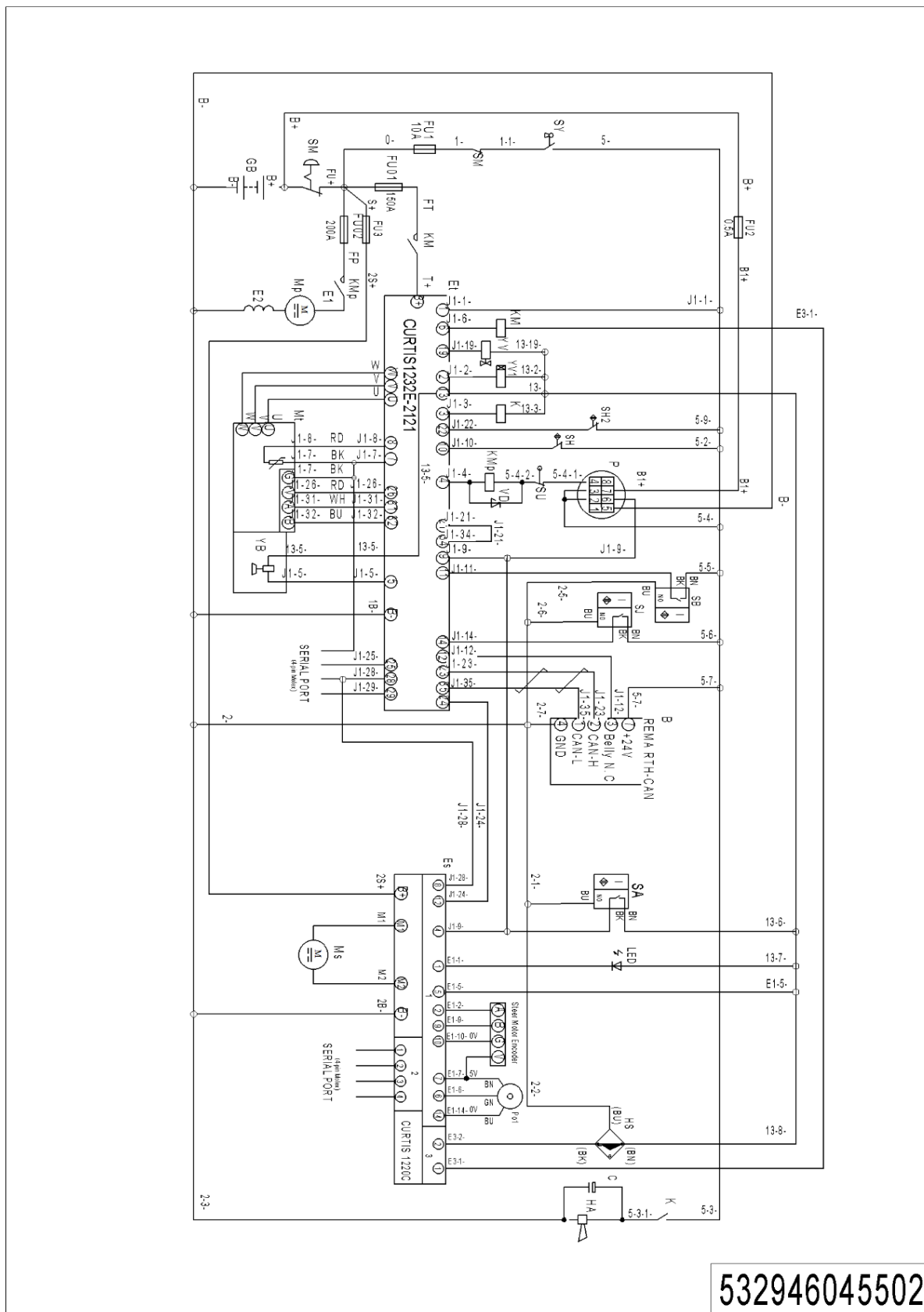
Appendix

01 Electrical Circuit Diagram (Manual steering) (532946045501)



1= Supply as package. 2= Supply with constraints. 3= Phasing-out supply. 4= Supply as assembly. 5= Check other tables.

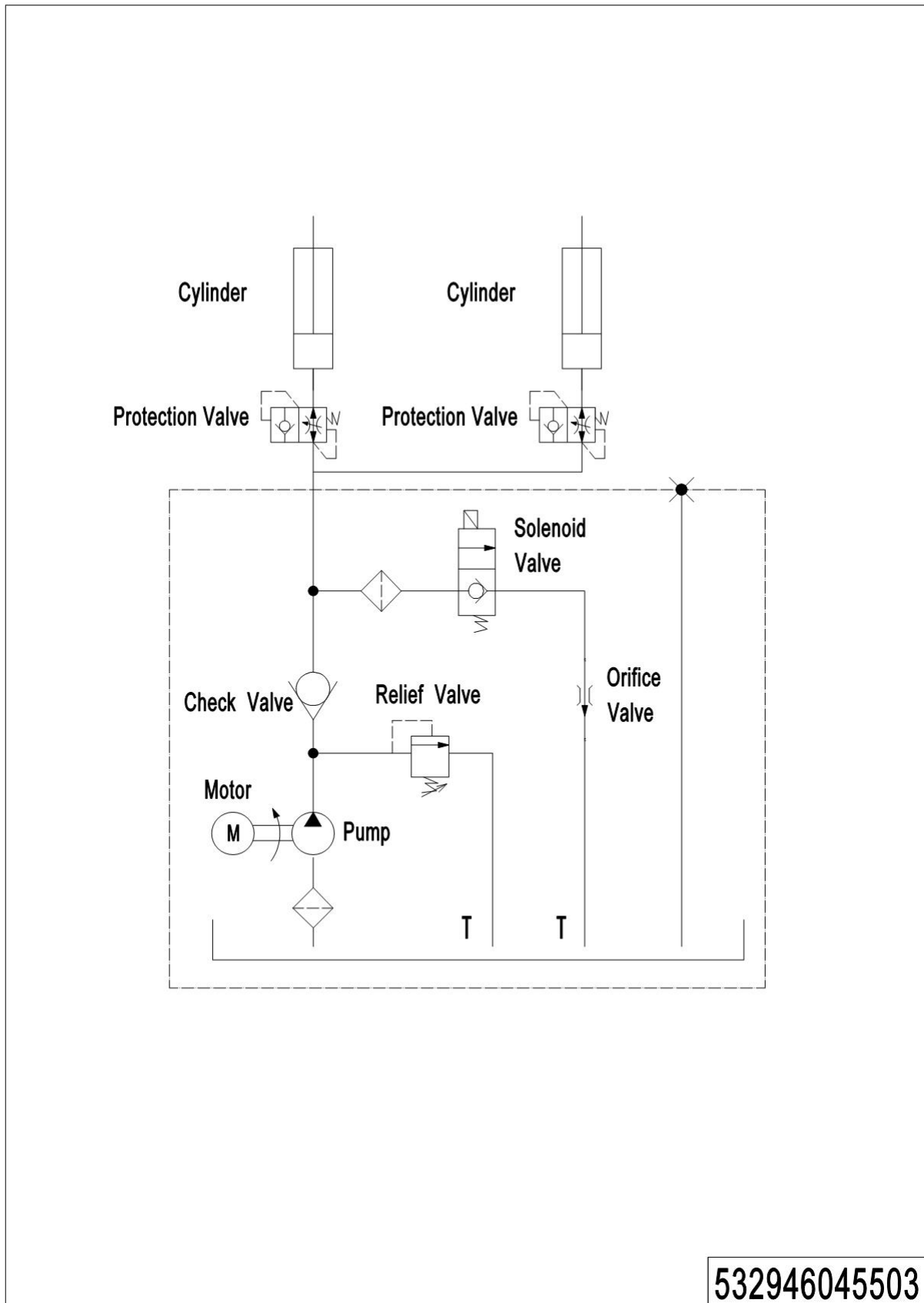
02 Electrical Circuit Diagram (Electrical steering) (532946045502)



532946045502

1= Supply as package. 2= Supply with constraints. 3= Phasing-out supply. 4= Supply as assembly. 5= Check other tables.

03 Hydraulic Circuit Diagram (532946045503)



532946045503

04 Consumable Parts List

No.	Item Code	Item Description	Qty.	Chapter/ Section/ Number
1	532998510005	Seal Kit	2	Chapter 2/01/24.01
2	940200300017	Compound Roller	4	Chapter 3/01/1
3	532616510000	Caster Assembly	2	Chapter 3/02/7
4	532698510004	Wheel	2	Chapter 4/01/11
5	532098510016	Wheel	2	Chapter 4/02/5
6	940400100002	Air Spring	1	Chapter 4/04/13
6	940400100003	Air Spring	1	Chapter 4/04/13
7	940200300020	Compound Roller	2	Chapter 5/01/1
8	940200300022	Compound Roller	2	Chapter 5/01/6
9	920100100007	Fuse	1	Chapter 6/05/1
10	920100100008	Fuse	1	Chapter 6/05/2
11	920100200002	Fuse	1	Chapter 6/05/3
12	940500200008	Bushing	4	Chapter 7/01/3
13	940400100039	Air Spring	1	Chapter 7/01/6
14	505698510002	Buffer Kits	2	Chapter 7/01/24
15	940400100006	Air Spring	1	Chapter 7/02/4