

Print Number:

Print Date:

NOBLELIFT



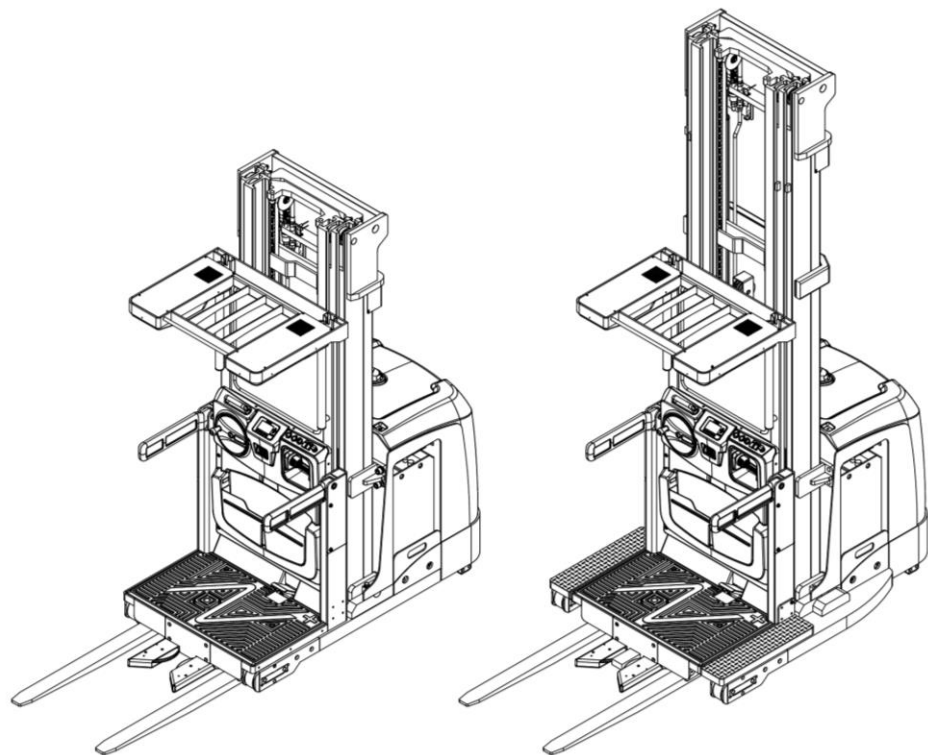
Scan QR Code for More

Order Picker

OPH 12/12K

PARTS MANUAL

221546020101



Version V01

Truck Identification Number From:

Parts Manual

OPH12/12K-PM01EN

Please order spare parts from authorized dealers of Noblelift Intelligent Equipment Co., LTD.

In order to avoid wrong delivery, all the orders for spare parts should specify the following items:

- Truck model, identification number and manufacture year.
- Orders for spare parts of mast, hydraulic transmission unit, steering axle, motor, etc. shall indicate the manufacture number of these parts.
- Codes for Noblelift spare parts are shown in the table of parts manual. Please also pay attention to the description of supply status, order quantity, etc. (check the number listed in "Mark" column of the parts manual).

"Mark" Column:

The unmarked indicates the parts are in short supply cycle.

Number 1: supply as package. Indicating these that parts are small parts and seal parts, which are supplied in package unit and in short supply cycle.

Number 2: supply with constraints. Indicating that these spare parts are not in stock and will be prepared for production after receiving the order from customers, which are in long supply cycle.

Number 3: phasing-out supply. Indicating that these parts will be replaced by new parts due to technical improvements and the current stock will not be available when these parts run out. Please check the description of technical improvements notice.

Number 4: supply as assembly. Indicating that these parts are assembly parts defined by manufacture process, which cannot be supplied as a single part.

Number 5: check other tables.

This parts manual is the property of Noblelift and can be shared under the confidential agreement only, Noblelift has the right to claim for compensation of any unauthorized use. Copy without permission is not allowed. Figures in the manual are not limited by the original design. Noblelift Intelligent Equipment Co., LTD reserves the right to improve the products for continuous technology progress.

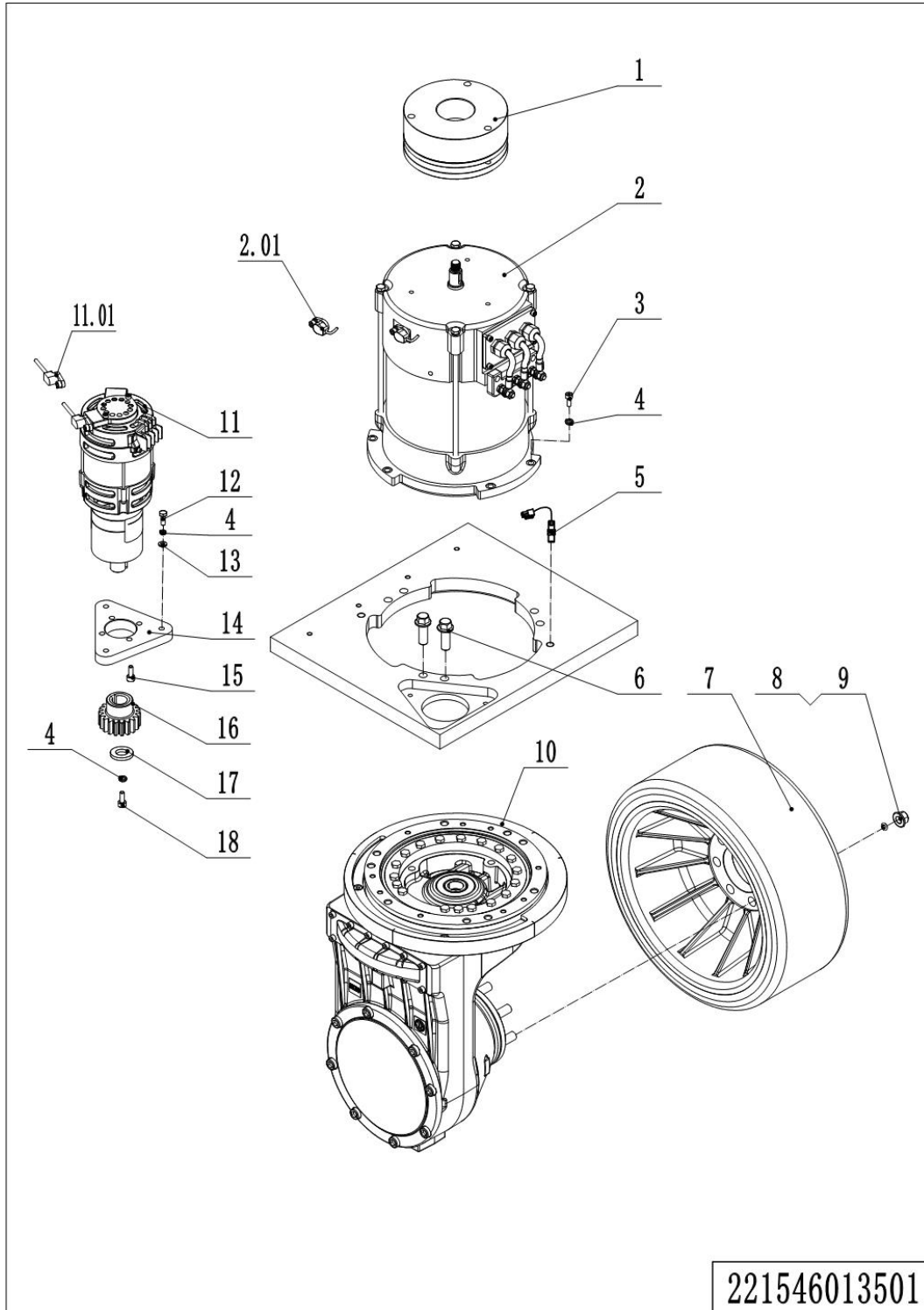
Table of Contents

Chapter 1: Drive System.....	1
01 Drive Unit (221546013501).....	1
02 Lift Unit (221546032501).....	3
Chapter 2: Hydraulic System.....	5
01 Hydraulic Assembly(221546025001)	5
02 Oil Tank(221546019001).....	7
Chapter 3: Truck Frame	9
01 Chassis(221546021501).....	9
01 Chassis(221546021501) Continuation.....	11
Chapter 4: platform device.....	13
01 platform(221546053501)	13
01 platform (221546053501) Continuation	15
02 Safety device(221546019501)	17
02 Safety device(221546019501) Continuation.....	19
03 Safety device(221546019502)	21
Chapter 5: Mast.....	23
01 Outer Mast(221546044501).....	23
01 Outer Mast(221546044501) Continuation 1	25
01 Outer Mast(221546044501) Continuation 2	27
02 Middle Mast(221546044502)	29
03 Inner Mast(221546044503)	31
03 Inner Mast(221546044503) Continuation.....	33
04 Chain(221546044504) Side	35
05 Chain (221546044505) Middle.....	37
06 Mast Hydraulic(221546044506).....	39
Chapter 6: Steering、handle、pedal、guard armand wheels	41
01 Steering Wheel(22156031501)	41
02 Tiller Unit(221546011001)	43
03 pedal(221546018001)	45
04 Guard Arm(221546017501).....	47
05 Load Wheel(221546017001)	49
Chapter 7: Electrical Parts	51
01 Display Assembly(212146010001).....	51
02 Warning light(221546035501)	53
03 Working light(221546034501).....	55
04 Wire Harness(221546033001)	57
05 Controller(F4A)(221546033002).....	59
06 Charger(221546036501)	61
07 Charger(221546036502) Li.....	63
08 Battery(221546037001)	65
09 Battery(221546037002)Li.....	67

Chapter 8: Others	69
01 Label(221546047001).....	69
Appendix.....	71
01 Electrical Circuit Diagram(F4A)	71
02 Hydraulic Circuit Diagram	72
03 Consumable Parts List	73

Chapter 1: Drive System

01Drive Unit (221546013501)

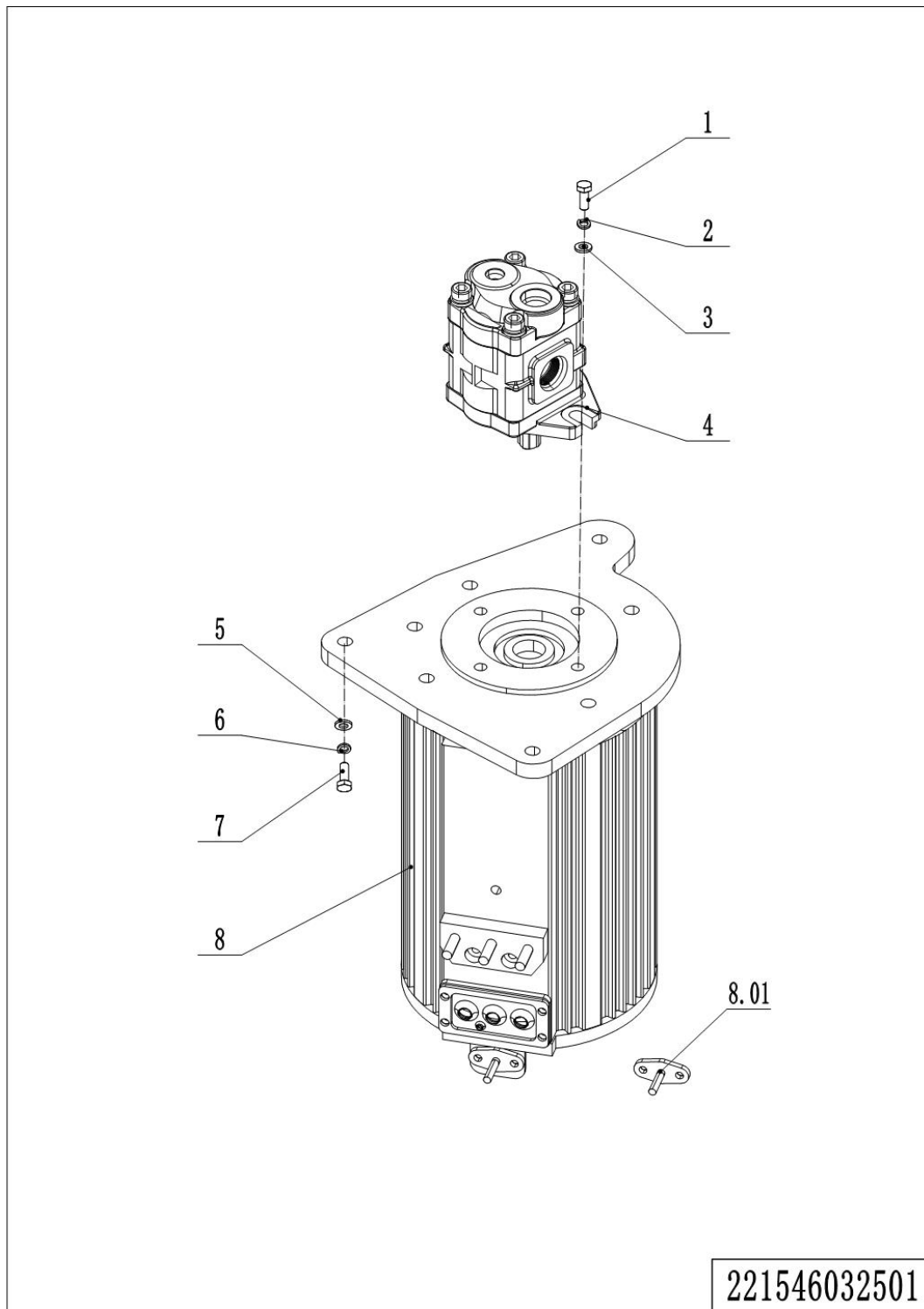


1= Supply as package. 2= Supply with constraints. 3= Phasing-out supply. 4= Supply as assembly. 5= Check other tables.

01 Drive Unit (221546013501)

No.	Item Code	Mark	Item Description	Qty.	Substitute	Note
1	940700100019		Brake	1		
2	920900100145		Motor	1		HS
2.01	921800200037		Encoder	1		HS
3	910200200061		Screw	6		
4	910400500006		Spring Washer	10		
5	214533510007		Proximity Switch	1		
6	910100800003		Bolt	6		
7	940300400041		Wheel Φ 343x140	1		
8	940998520072		Nut	7		
9	940998520073		Spring Washer	7		
10	941000100007		Gearbox	1		
11	940900800003		Steer Motor	1		
11.01	921800200012		Encoder	1		
12	910100300023		Bolt	3		
13	910400100006		Flat Washer	3		
14	221513520001		Flange	1		
15	910200200055		Screw	4		
16	940998520071		Gear	1		
17	213313520001		Washer	1		
18	910200200058		Screw	1		

02 Lift Unit (221546032501)



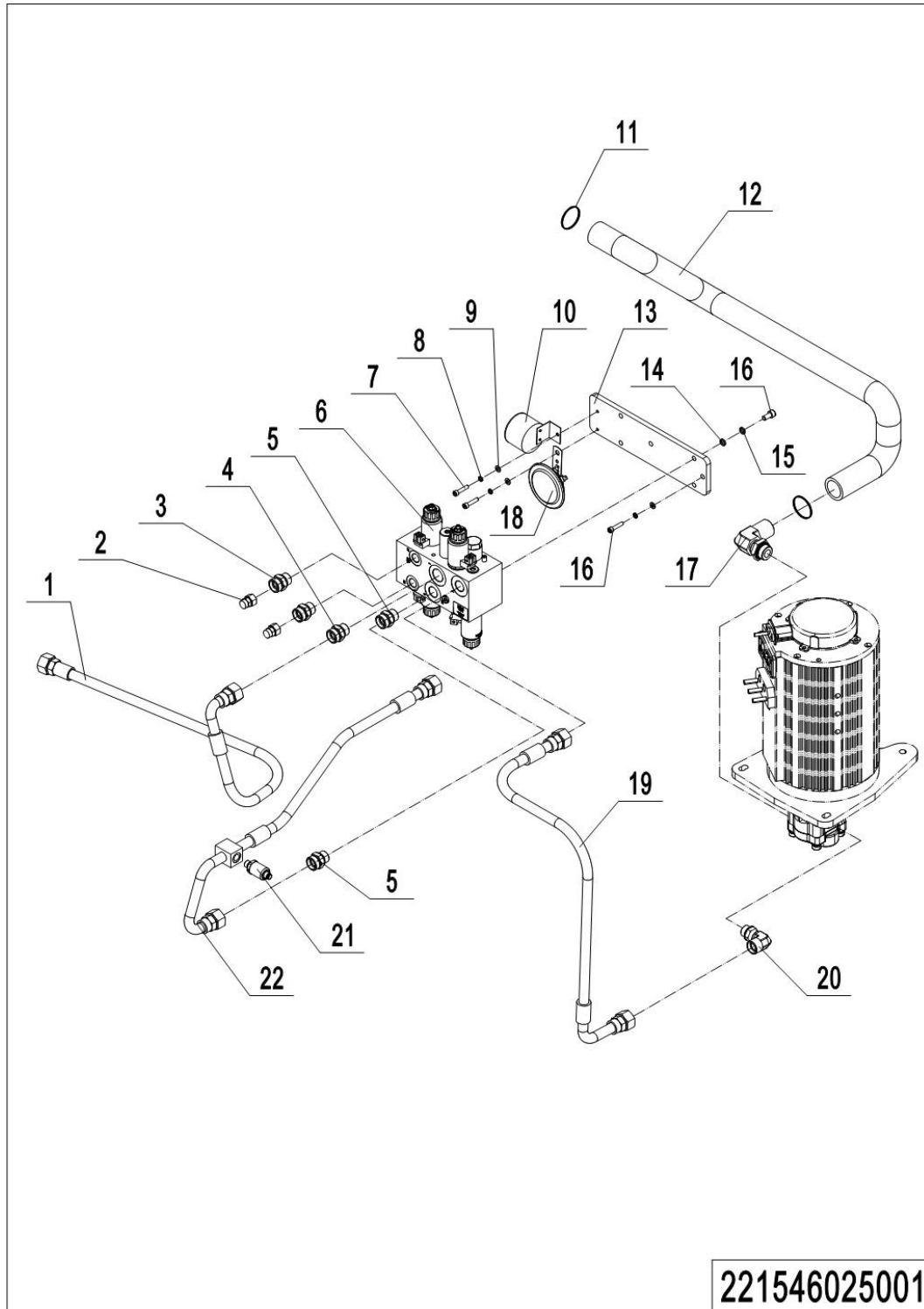
1= Supply as package. 2= Supply with constraints. 3= Phasing-out supply. 4= Supply as assembly. 5= Check other tables.

03 Lift Unit (221546032501)

No.	Item Code	Mark	Item Description	Qty.	Substitute	Note
1	910100300037		Bolt	2		
2	910400500007		Spring Washer	2		
3	910400100007		Flat Washer	2		
4	950800200016		Gear Pump	1		
5	910400100008		Flat Washer	3		
6	910400500008		Spring Washer	3		
7	910100400012		Bolt	3		
8	920900100146		Motor	1		HP
8.01	921800200045		Encoder	1		HP

Chapter 2: Hydraulic System

01 Hydraulic Assembly(221546025001)

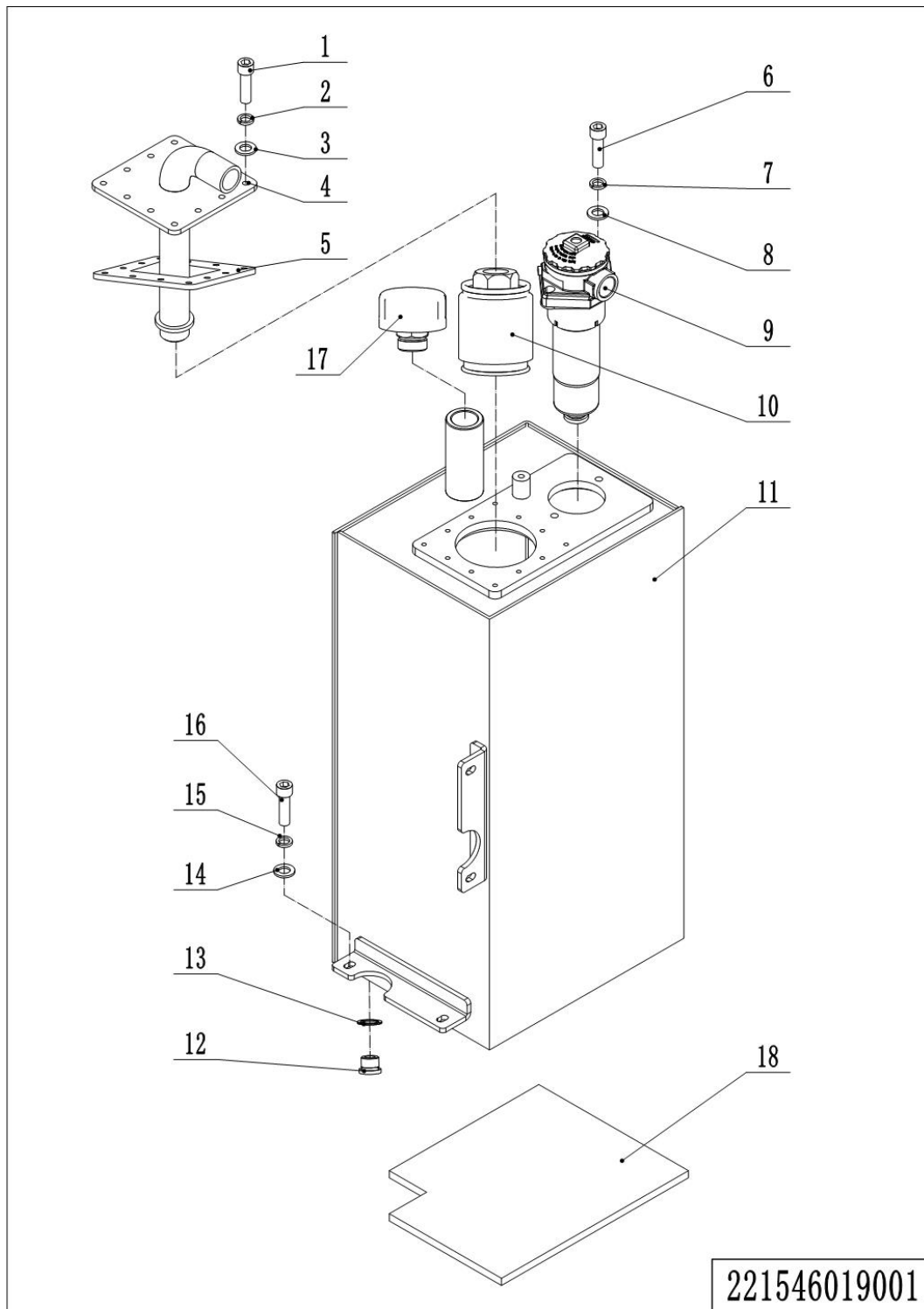


1= Supply as package. 2= Supply with constraints. 3= Phasing-out supply. 4= Supply as assembly. 5= Check other tables.

01 Hydraulic Assembly(221546025001)

No.	Item Code	Mark	Item Description	Qty.	Substitute	Note
1	221525020002		Hose	1		
2	951100300004		Plug	2		
3	950400400002		Joint	2		
4	950400400024		Adapter	1		
5	950400400011		Joint	2		
6	950600100043		Hydraulic Valve	1		
7	910200200035		Screw	2		
8	910400500005		Spring Washer	2		
9	910400100005		Flat Washer	2		
10	920500100017		Horn	1		
11	911000600006		Hose Clamp	2		
12	221525020001		Oil Tube	1		
13	221521520034		Mounting Plate	1		
14	910400100006		Flat Washer	3		
15	910400500006		Spring Washer	3		
16	910200200057		Screw	4		
17	221525020005		Adapter	1		
18	920500100001		Horn	1		
19	221525020003		Hose	1		
20	950401100005		Joint	1		
21	921800100064		Sensor	1		
22	221525020004		Hose	1		

02 Oil Tank(221546019001)



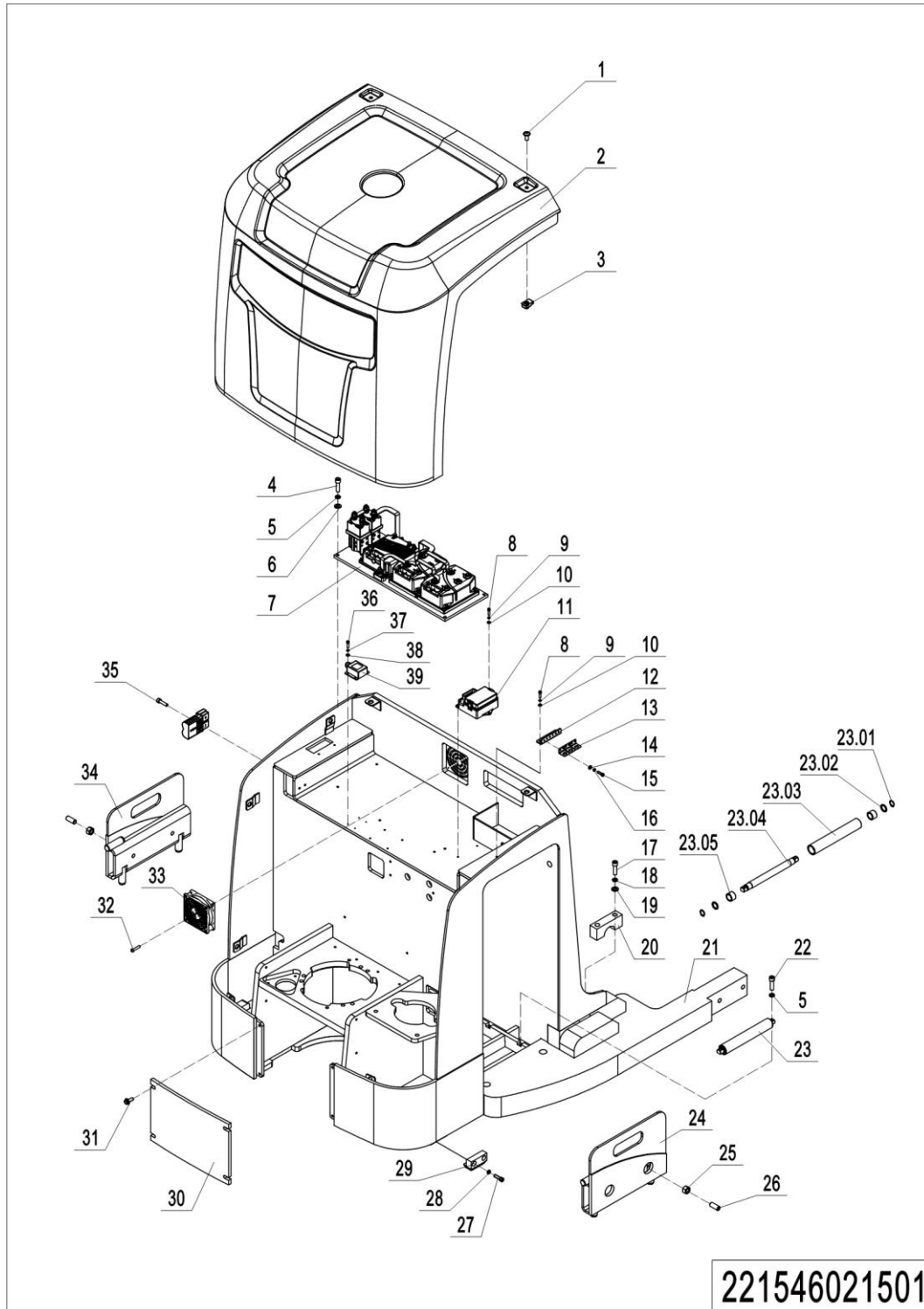
1= Supply as package. 2= Supply with constraints. 3= Phasing-out supply. 4= Supply as assembly. 5= Check other tables.

03 Oil Tank(221546019001)

No.	Item Code	Mark	Item Description	Qty.	Substitute	Note
1	910200200035		Screw	12		
2	910400500005		Spring Washer	12		
3	910400100005		Flat Washer	12		
4	221519010001		Cap-Tank	1		
5	212119020000		Sealing Gasket	1		
6	910200200077		Screw	2		
7	910400500007		Spring Washer	2		
8	910400100007		Flat Washer	2		
9	951000300005		Filter	1		
10	951000400001		Filter	1		
11	221519010000		Tank	1		
12	255019020015		Filler Plug	1		
13	910800900001		Bonded Washer	1		
14	910400100006		Flat Washer	4		
15	910400500006		Spring Washer	4		
16	910200200055		Screw	4		
17	212119020019		Cap-Tank	1		
18	221521520033		Subplate	1		

Chapter 3: Truck Frame

01 Chassis(221546021501)



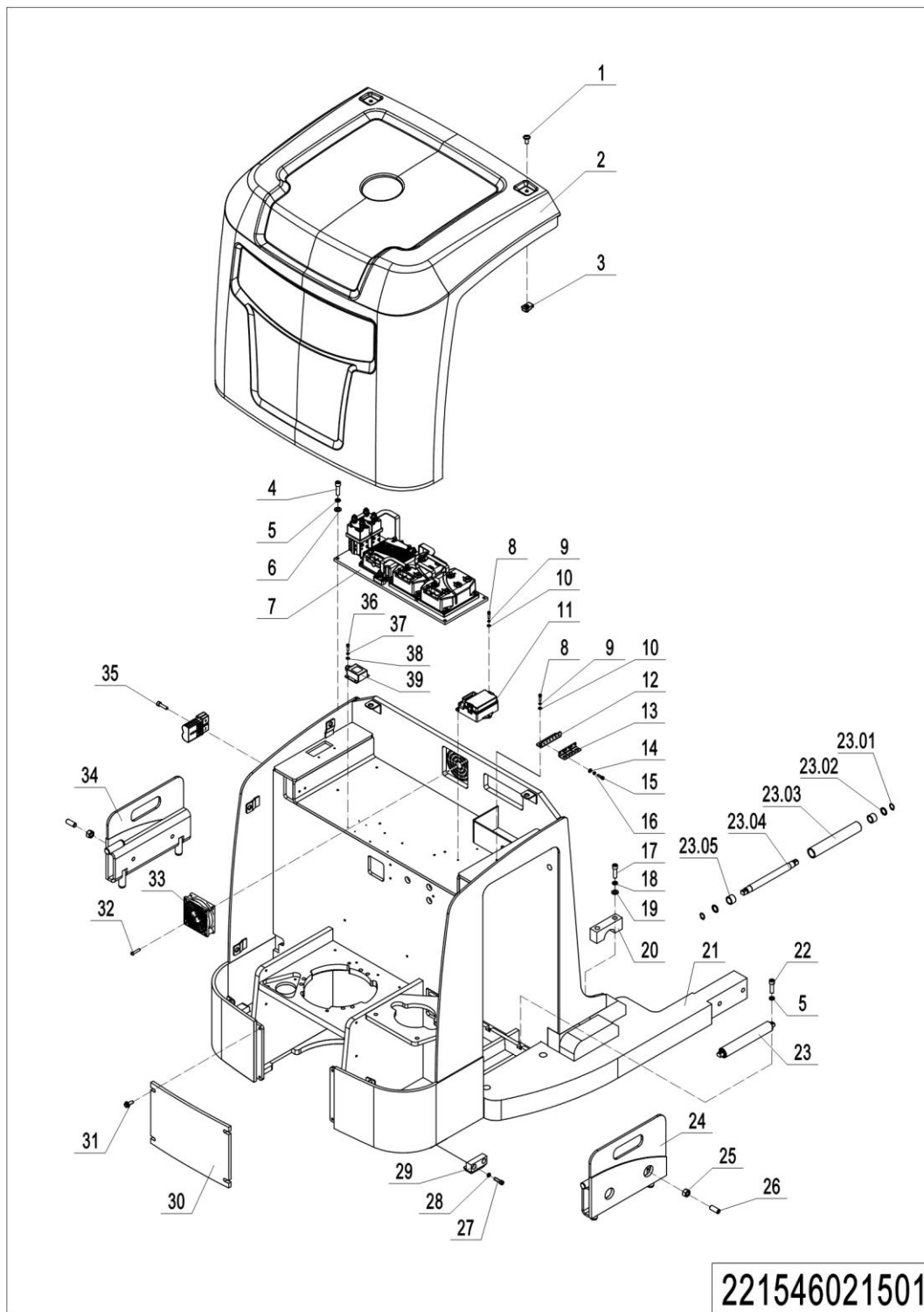
1= Supply as package. 2= Supply with constraints. 3= Phasing-out supply. 4= Supply as assembly. 5= Check other tables.

01 Chassis(221546021501)

No.	Item Code	Mark	Item Description	Qty.	Substitute	Note
1	941100100007		Screw	2		
2	940400400003		Cage Nut	2		
3	221521520000		Cover	1		
4	910200200058		Screw	4		
5	910400500006		Spring Washer	4		
6	910400100006		Flat Washer	4		
7	922200100058		Electronic Components	1		
8	910200200035		Screw	3		
9	910400500005		Spring Washer	4		
10	910400100005		Flat Washer	4		
11	921400100201		Control Box	1		
12	214521520086		Fixing Plate	1		
13	921300300003		Fixing Mount	3		
14	910400100003		Flat Washer	6		
15	910200500034		Screw	6		
16	910400500003		Spring Washer	6		
17	910100200017		Bolt	4		
18	910400500010		Spring Washer	4		
19	910400100010		Flat Washer	4		
20	212144520217		Fixing Plate	2		
21	221521510000		Chassis	1		
21	221521510001		Chassis	1		
22	910200200057		Screw	12		
23	214512510000		Roller Kits	6		
24	221521510003		Baffle	1		
25	910300300008		Nut	4		
26	910200800041		Screw	4		
27	910200200099		Screw	4		
28	910400500008		Spring Washer	4		
29	212121520068		Support Leg	2		
30	221521520027		Apron	1		

1= Supply as package. 2= Supply with constraints. 3= Phasing-out supply. 4= Supply as assembly. 5= Check other tables.

01 Chassis(221546021501) Continuation



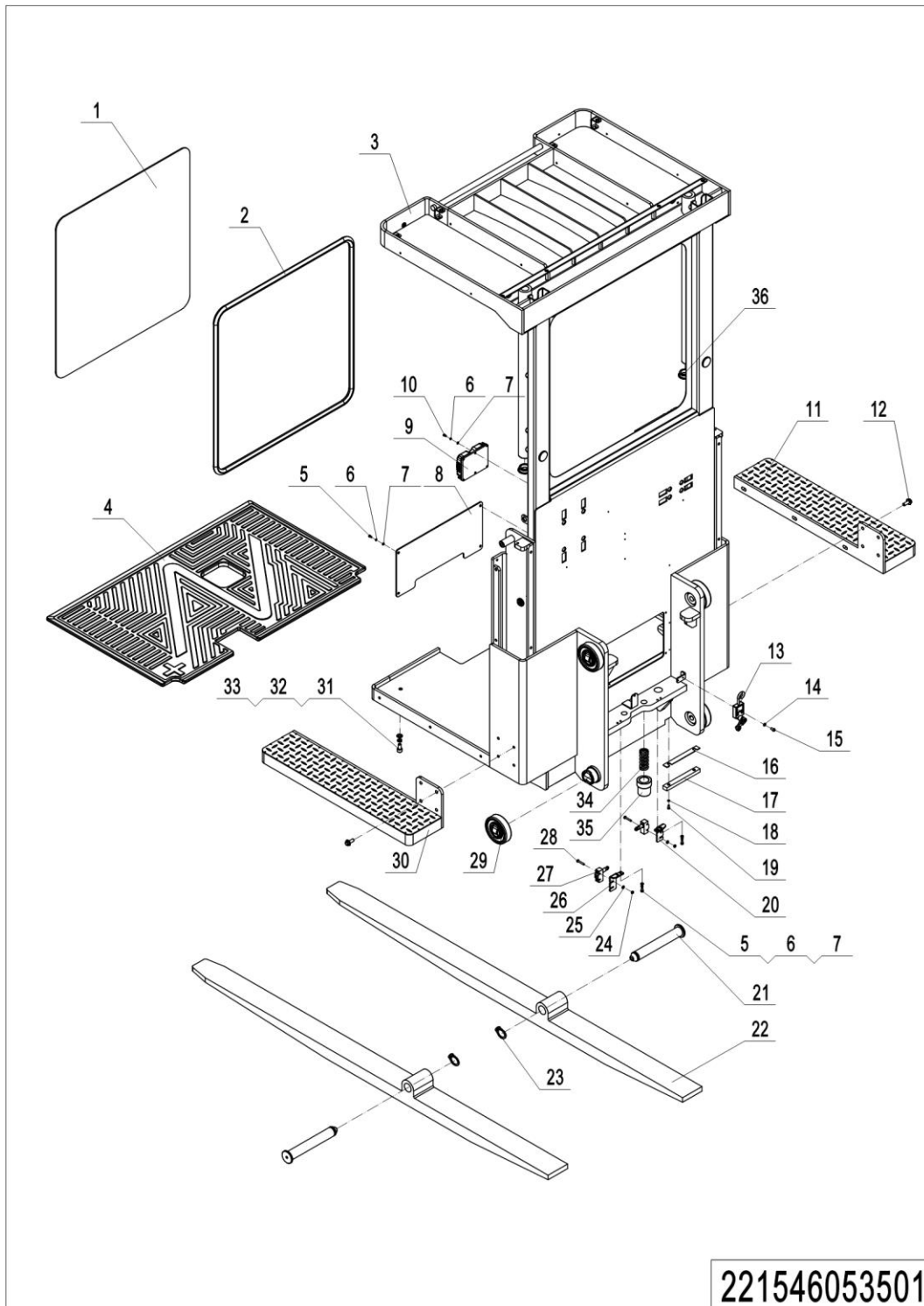
1= Supply as package. 2= Supply with constraints. 3= Phasing-out supply. 4= Supply as assembly. 5= Check other tables.

01 Chassis (221546021501) Continuation

No.	Item Code	Mark	Item Description	Qty.	Substitute	Note
31	910100800008		Bolt M10x25	4		
32	910200500031		Screw	4		
33	214533510005		Fan	1		
34	221521510002		Baffle	1		
35	910200200040		Screw	2		
36	910200200014		Screw	4		
37	910400500003		Spring Washer	4		
38	910400100003		Flat Washer	4		
39	221533010019		Sensor	1		

Chapter 4: platform device

01 platform(221546053501)



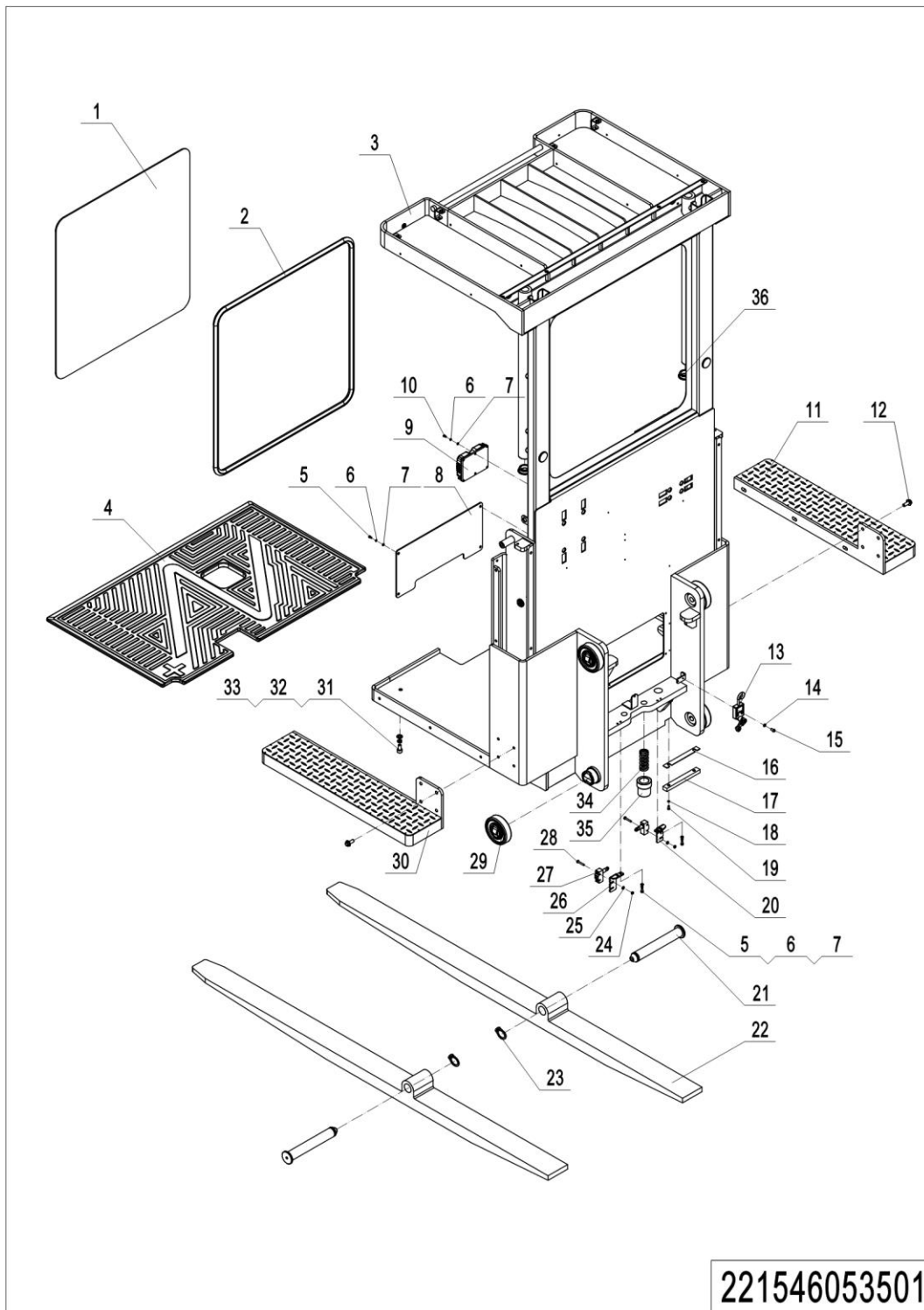
1= Supply as package. 2= Supply with constraints. 3= Phasing-out supply. 4= Supply as assembly. 5= Check other tables.

01 platform(221546053501)

No.	Item Code	Mark	Item Description	Qty.	Substitute	Note
1	221553520050		Guard Plate	1		
2	255022520111		Sealing Strip	2760		
3	221553510000		Platform	1		
4	221553520000		Platform	1		
5	910200200033		Screw	8		
6	910400500005		Spring Washer	10		
7	910400100005		Flat Washer	10		
8	221553520049		Close Plate	1		
9	921400100067		Controller	1		
10	910200200035		Screw	2		
11	221553510003		Side Plate	1		Straddle 1420
12	910100800008		Bolt M10x25	14		Straddle 1420
13	920200600015		Microswitch	1		
14	910400500003		Spring Washer	2		
15	910200200015		Screw	2		
16	221553520060		Pad	4		
17	221553520054		Subplate	2		
18	910200200055		Screw	4		
19	910400500006		Spring Washer	4		
20	221544520039		Mounting Plate	1		
21	221553520055		Axle	2		
22	221541020001		Fork 760	2		
22	221541020002		Fork 915	2		
22	221541020003		Fork 990	2		
22	221541020004		Fork 1070	2		
22	221541020005		Fork 1145	2		
22	221541020006		Fork 1220	2		
23	910401300018		Circlip	2		
24	910300500001		Nut	4		
25	910400100003		Flat Washer	4		
26	221544520047		Mounting Plate	1		

1= Supply as package. 2= Supply with constraints. 3= Phasing-out supply. 4= Supply as assembly. 5= Check other tables.

01 platform (221546053501) Continuation

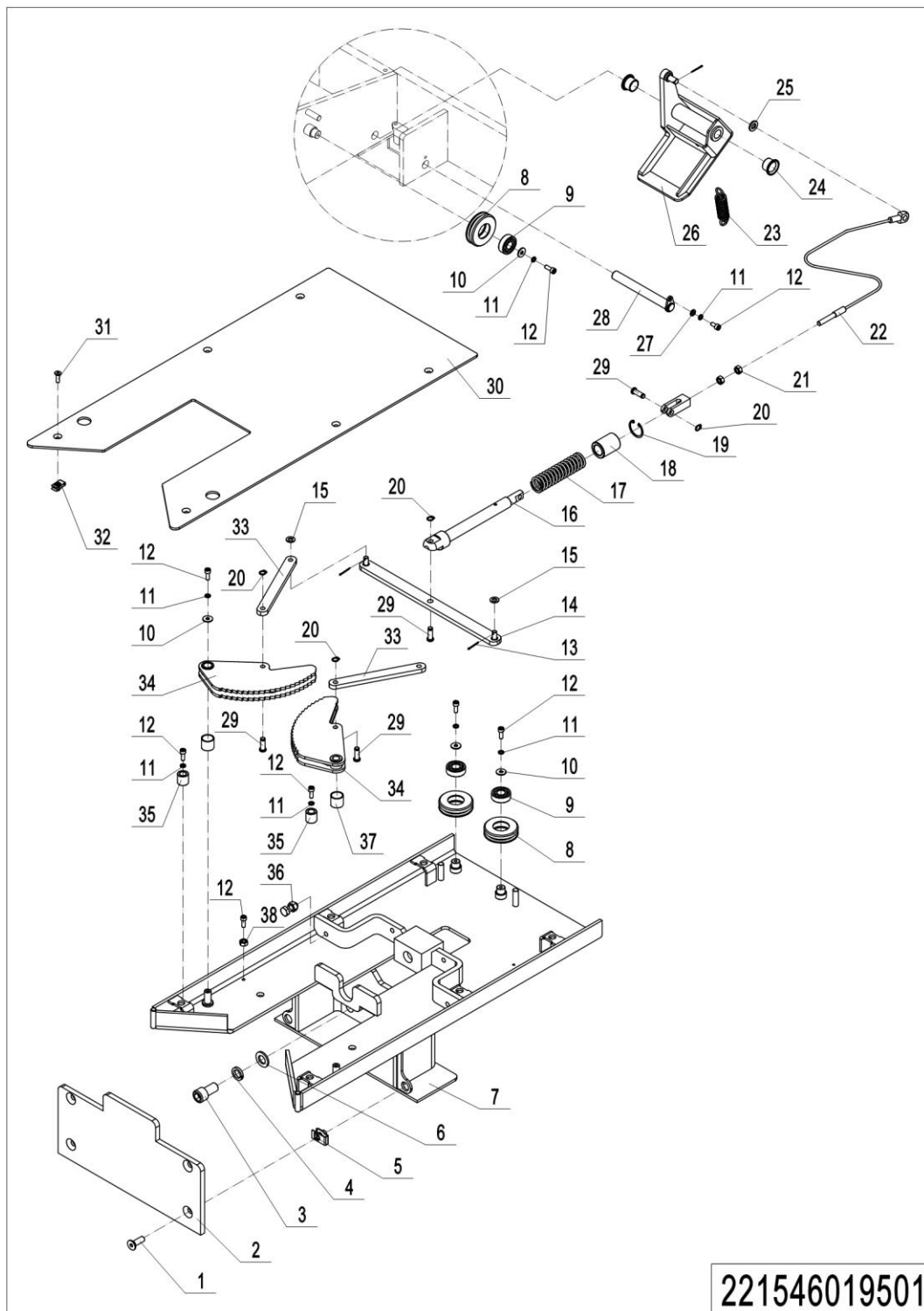


1= Supply as package. 2= Supply with constraints. 3= Phasing-out supply. 4= Supply as assembly. 5= Check other tables.

01 platform(221546053501) Continuation

No.	Item Code	Mark	Item Description	Qty.	Substitute	Note
27	920200300025		Microswitch	2		
28	910200500027		Screw	2		
29	940200300054		Compound Roller	4		
30	221553510004		Side Plate	1		Straddle 1420
31	910200200075		Screw	5		
32	910400500007		Spring Washer	5		
33	910400100007		Flat Washer	5		
34	221544520056		Spring	2		
35	221544520048		Mounting Base	2		
36	221553520064		End Cap	1		

02 Safety device(221546019501)



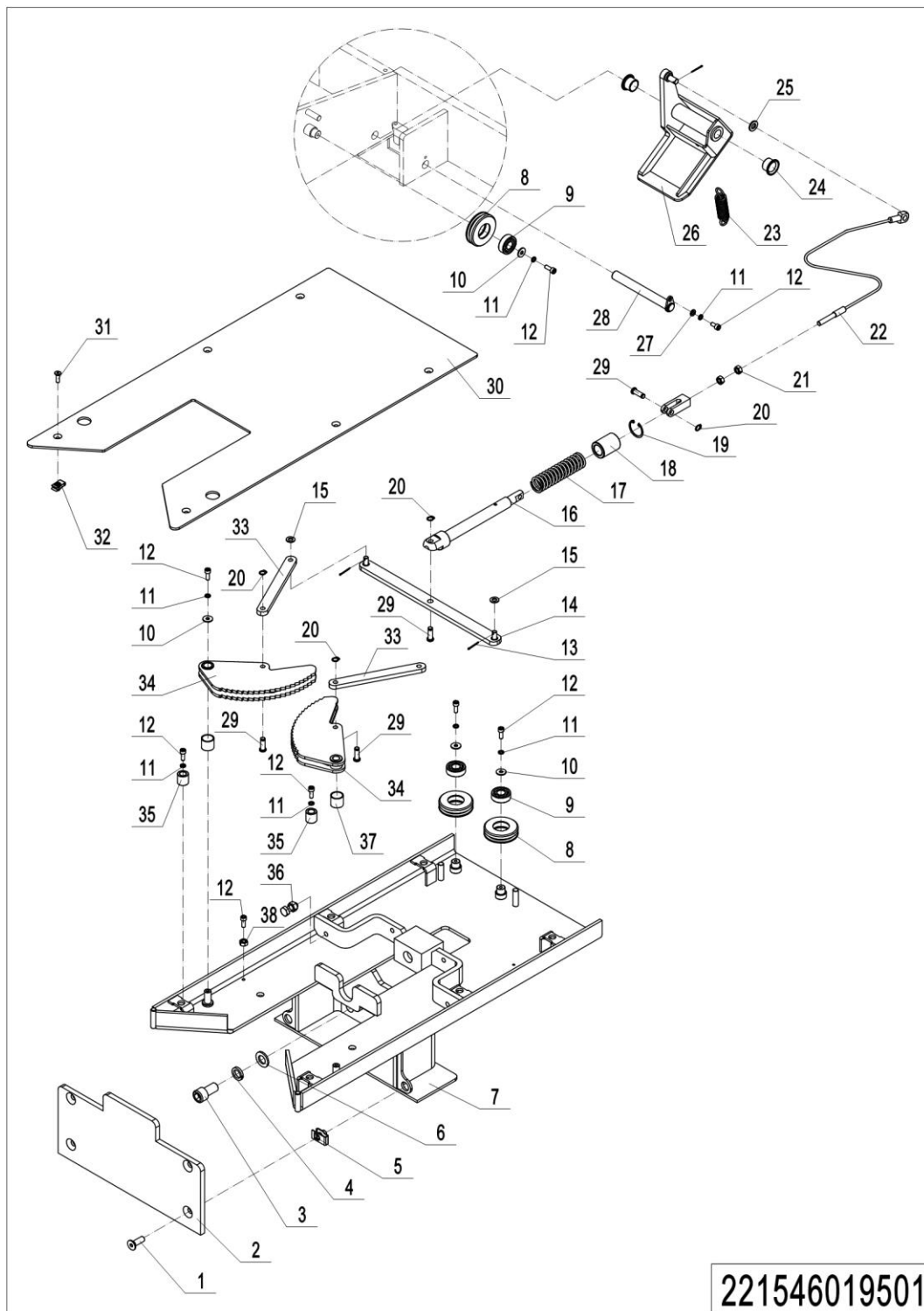
1= Supply as package. 2= Supply with constraints. 3= Phasing-out supply. 4= Supply as assembly. 5= Check other tables.

02 Safety device(221546019501)

No.	Item Code	Mark	Item Description	Qty.	Substitute	Note
1	910200400042		Screw M10x35	4		
2	221519520030		Close Plate	1		
3	910200200119		Screw	4		
4	910400500010		Spring Washer	4		
5	940400400003		Cage Nut	4		
6	910400100010		Flat Washer	4		
7	221519510000		Mounting Base	1		
8	221519520027		Wire wheel	3		
9	910700200017		Bearing	3		
10	910400200002		Flat Washer	5		
11	910400500005		Spring Washer	8		
12	910200200035		Screw	10		
13	910600600015		Cotter Pin	3		
14	221519510003		Pry Bar	1		
15	910400100006		Flat Washer	2		
16	221519520025		Axle	1		
17	221518020001		Spring	1		
18	221519520026		Bushing	1		
19	910401400009		Circlip	1		
20	910401300001		Circlip	5		
21	910300100006		Nut	2		
22	221519510005		Wirerope	1		
23	275211521013		Spring	1		
24	940500200016		Bushing	2		
25	910400100007		Flat Washer	1		
26	221519510001		Mounting Base	1		
27	910400100005		Flat Washer	1		
28	221519510004		Pin	1		
29	221519520022		Axle	5		
30	221519520029		Close Plate	1		
31	910200400018		Screw	6		

1= Supply as package. 2= Supply with constraints. 3= Phasing-out supply. 4= Supply as assembly. 5= Check other tables.

02 Safety device(221546019501) Continuation

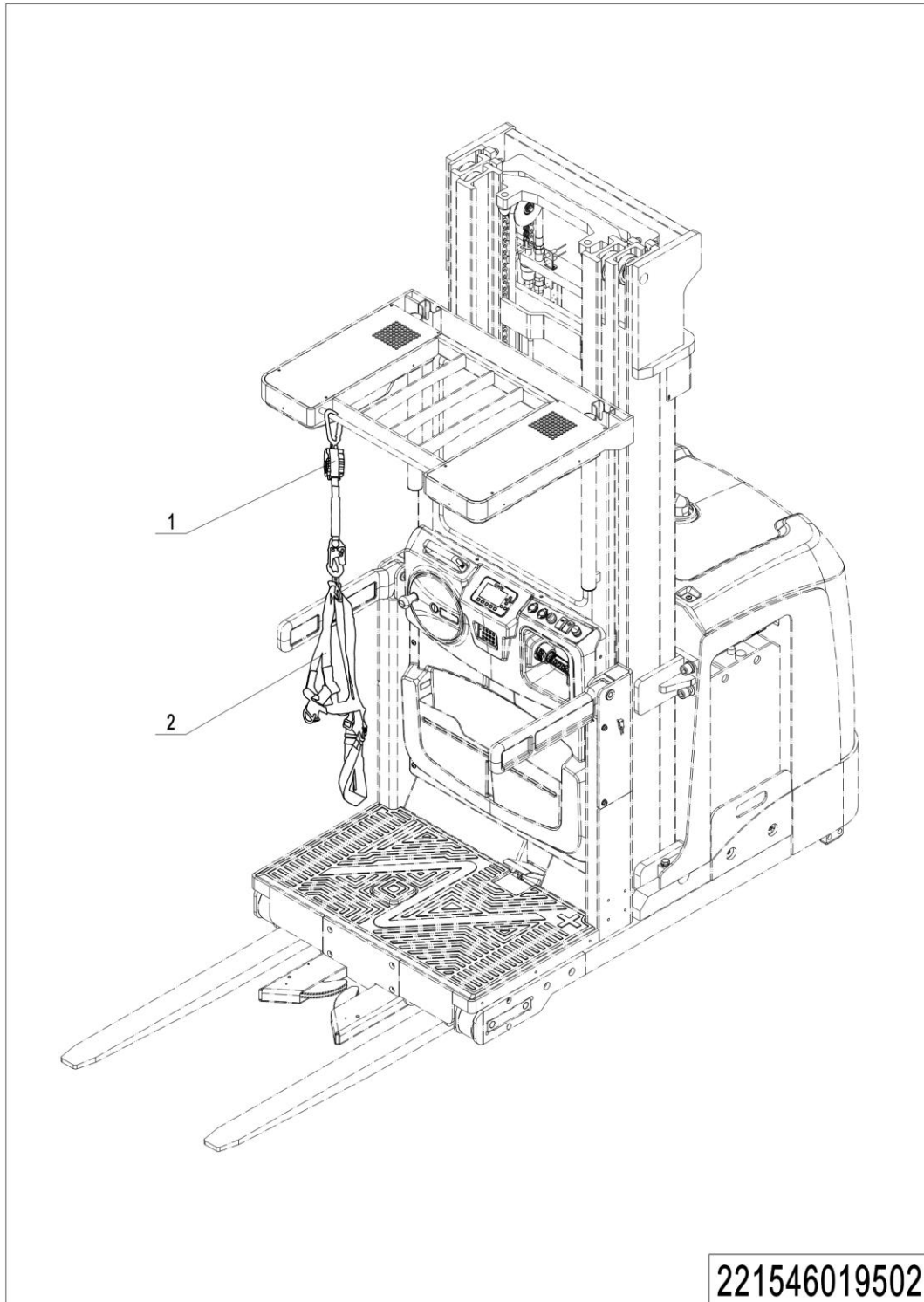


1= Supply as package. 2= Supply with constraints. 3= Phasing-out supply. 4= Supply as assembly. 5= Check other tables.

02 Safety device(221546019501) Continuation

No.	Item Code	Mark	Item Description	Qty.	Substitute	Note
32	940400400001		Cage Nut	6		
33	221519520023		Rod	2		
34	221519510002		Fixing Base	2		
35	221519520031		Nylon Sleeve	2		
36	221519510006		Bolt M10x30	2		
37	940500100002		Bushing	2		
38	910300100005		Nut	2		

03 Safety device(221546019502)



1= Supply as package. 2= Supply with constraints. 3= Phasing-out supply. 4= Supply as assembly. 5= Check other tables.

Print Number:

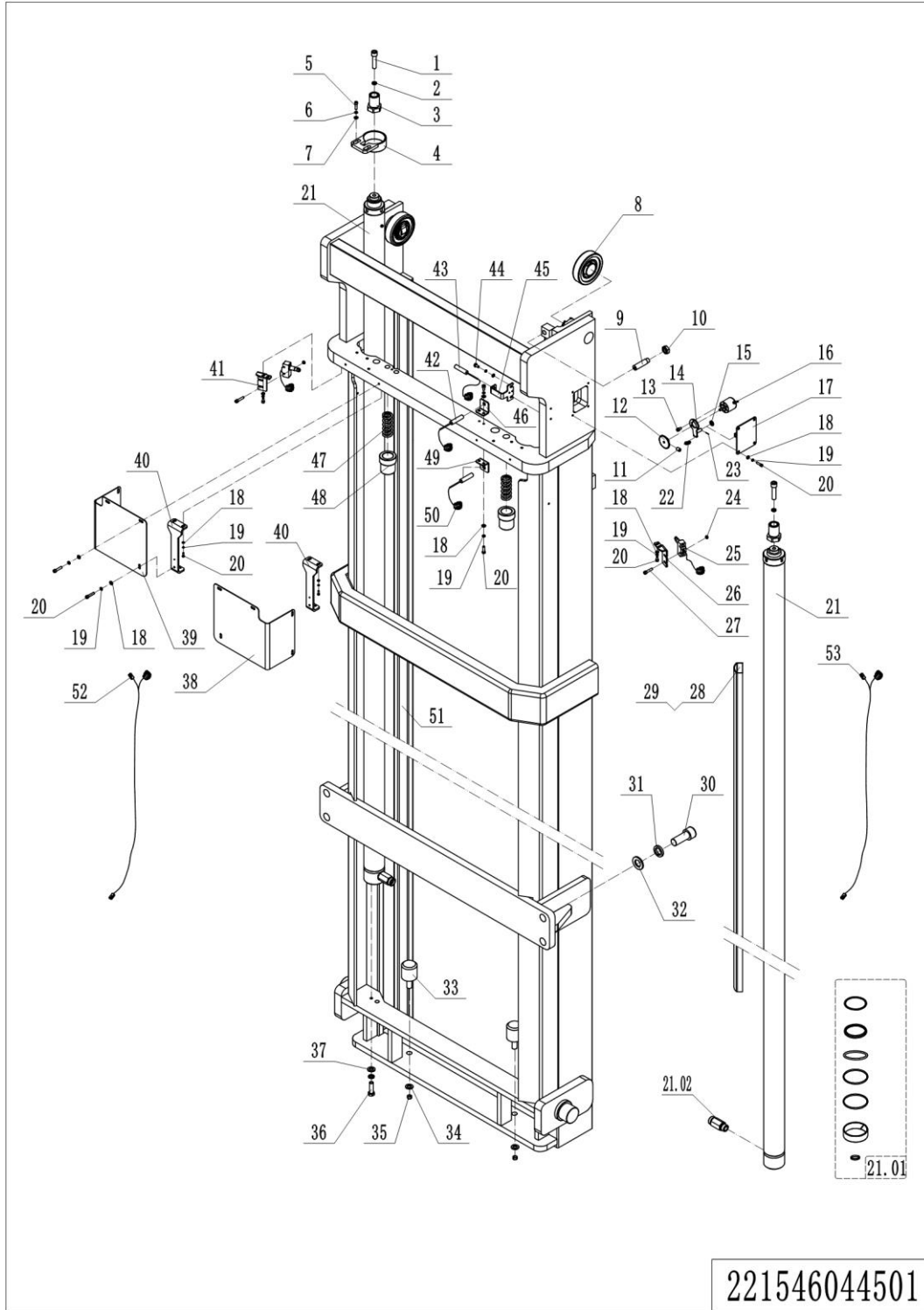
Print Date:

03 Safety device(221546019502)

No.	Item Code	Mark	Item Description	Qty.	Substitute	Note
1	940802000001		Limitier	1		
2	940801900001		Safety Belt	1		

Chapter 5: Mast

01 Outer Mast(221546044501)



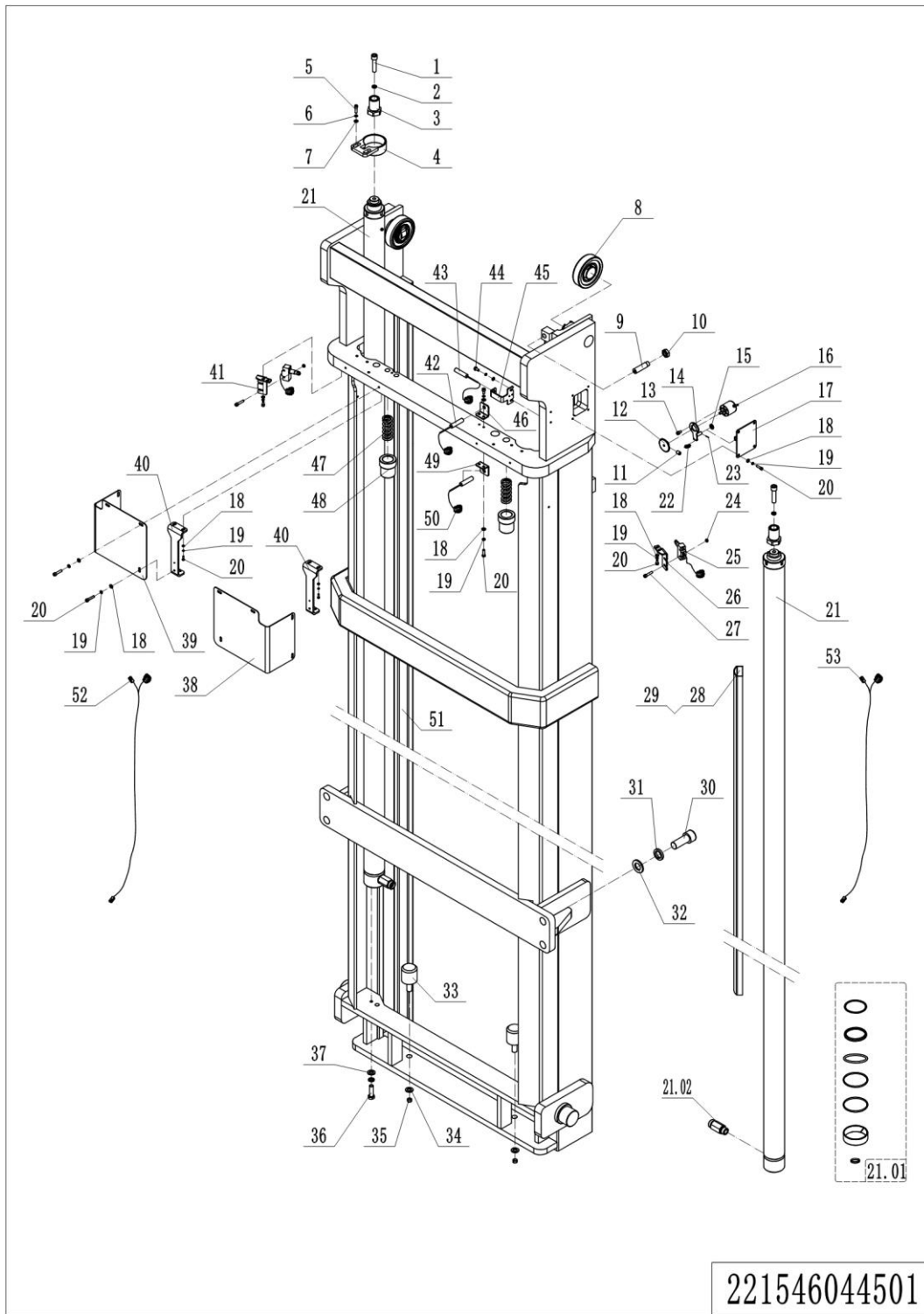
1= Supply as package. 2= Supply with constraints. 3= Phasing-out supply. 4= Supply as assembly. 5= Check other tables.

01 Outer Mast(221546044501)

No.	Item Code	Mark	Item Description	Qty.	Substitute	Note
1	910100300054		Bolt M12x50	2		
2	910400500008		Spring Washer	4		
3	212144520060		Barrel	2		
4	221544510020		Fixing Base	2		
5	910200200058		Screw	4		
6	910400500006		Spring Washer	4		
7	910400100006		Flat Washer	4		
8	940200300054		Compound Roller	2		
9	910100200014		Bolt	2		
10	910300400006		Nut	2		
11	910200800003		Screw	1		
12	214544520047		Chain ring	1		
13	910200500009		Screw	3		
14	214544510050		Mounting Plate	1		
15	910400100006		Flat Washer	1		
16	921800200041		Encoder	1		
17	221544510021		Mounting Base	1		
18	910400100005		Flat Washer	28		
19	910400500005		Spring Washer	28		
20	910200200033		Screw	26		
21	221544510031		Cylinder	2		4500
21	221544510032		Cylinder	2		4800
21	221544510033		Cylinder	2		6000
21	221544510034		Cylinder	2		7000
21	221544510035		Cylinder	2		8000
21	221544510036		Cylinder	2		9000
21.01	212198510002		Seal Kit	2		
21.02	212198520022		Anti-explosion Valve	1		
22	214544520155		Spring	1		
23	910600600015		Cotter Pin	1		
24	910300500001		Nut	4		

1= Supply as package. 2= Supply with constraints. 3= Phasing-out supply. 4= Supply as assembly. 5= Check other tables.

01 Outer Mast(221546044501) Continuation 1

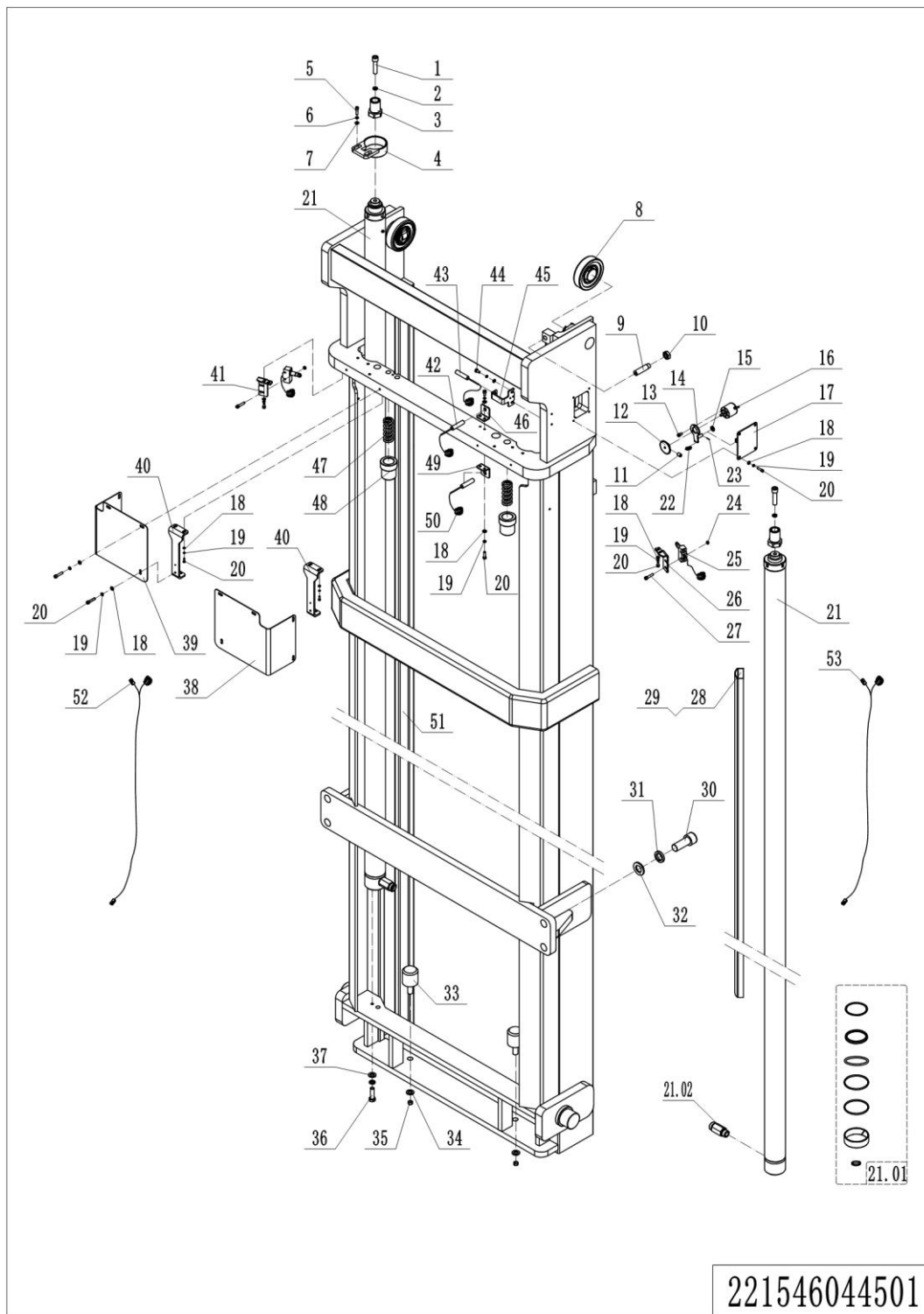


1= Supply as package. 2= Supply with constraints. 3= Phasing-out supply. 4= Supply as assembly. 5= Check other tables.

01 Outer Mast(221546044501) Continuation 1

No.	Item Code	Mark	Item Description	Qty.	Substitute	Note
25	920200300025		Microswitch	2		
26	221544520039		Mounting Plate	1		
27	910200500027		Screw	2		
28	212144520250		Shield	1		several
28	212144520251		Shield	1		several
28	212144520252		Shield	1		several
28	212144520253		Shield	1		several
28	212144520295		Shield	1		several
29	911000600007		Hose Clamp	6		several
30	910200200217		Screw M24x60	4		
31	910400500013		Spring Washer	4		
32	910400100014		Flat Washer	4		
33	212144520065		Crash Pad	2		
34	910400100010		Flat Washer	2		
35	910300500008		Nut	2		
36	910100400012		Bolt	2		
37	910400100008		Flat Washer	2		
38	221544520121		Close Plate	1		
39	221544520120		Close Plate	1		
40	221544520109		Fixing Plate	2		
41	221544520047		Mounting Plate	1		
42	221533010022		Proximity Switch	1		
43	221533010023		Proximity Switch	1		
44	910100300009		Bolt	2		
45	221544520038		Mounting Plate	1		
46	221544520127		Fixing Plate	1		
47	221544520056		Spring	2		
48	221544520048		Mounting Base	2		
49	212144520061		Fixing Plate	2		
50	221533010021		Proximity Switch	1		

01 Outer Mast(221546044501) Continuation 2

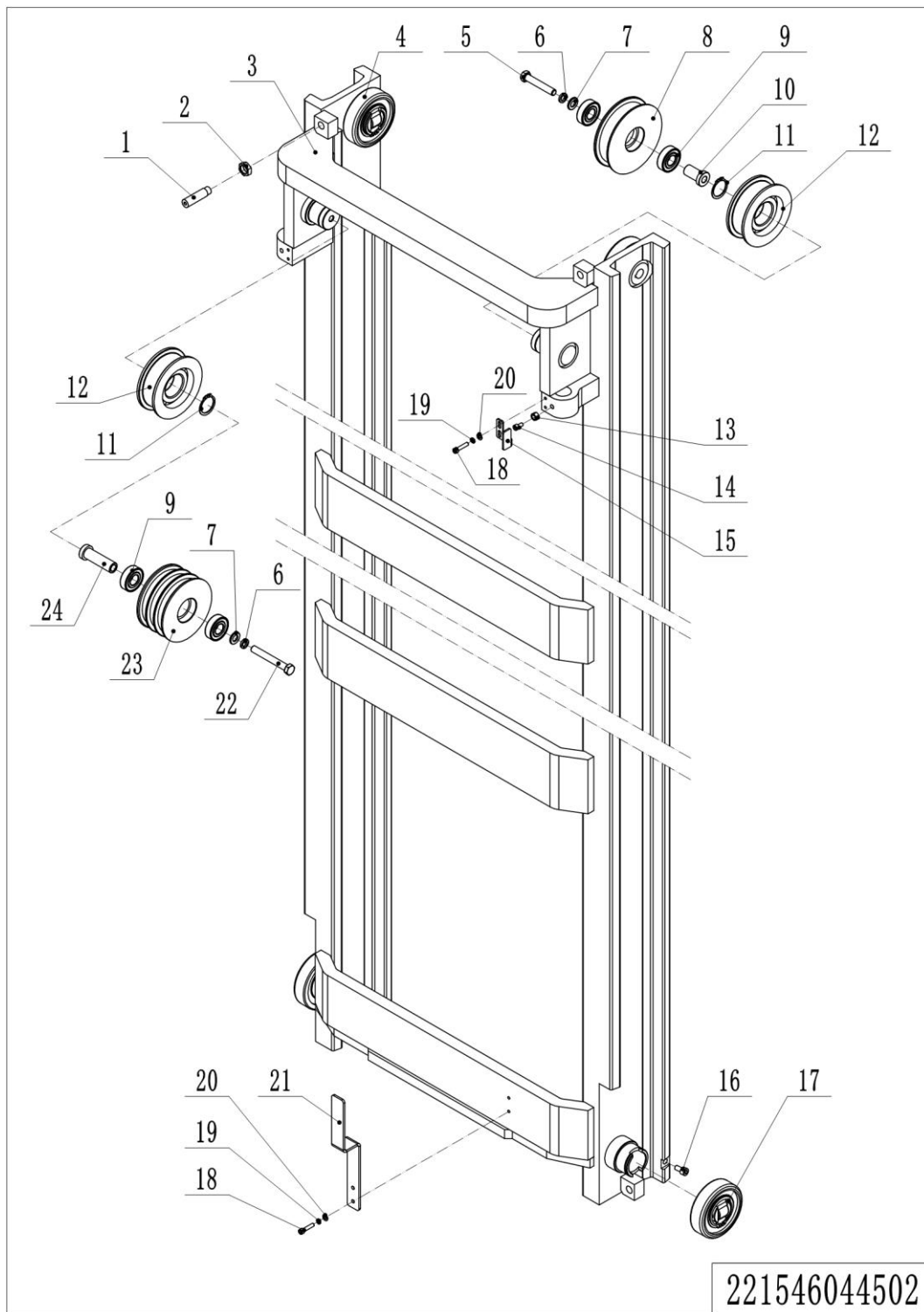


1= Supply as package. 2= Supply with constraints. 3= Phasing-out supply. 4= Supply as assembly. 5= Check other tables.

01 Outer Mast(221546044501) Continuation 2

No.	Item Code	Mark	Item Description	Qty.	Substitute	Note
51	221544510001		Outer Mast (4500)	1		
51	221544510002		Outer Mast (4800)	1		
51	221544510003		Outer Mast (6000)	1		
51	221544510003		Outer Mast (7000)	1		
51	221544510003		Outer Mast (8000)	1		
51	221544510003		Outer Mast (9000)	1		
52	221533010017		Wire Harness	1		
53	221533010004		Wire Harness	1		

02 Middle Mast(221546044502)

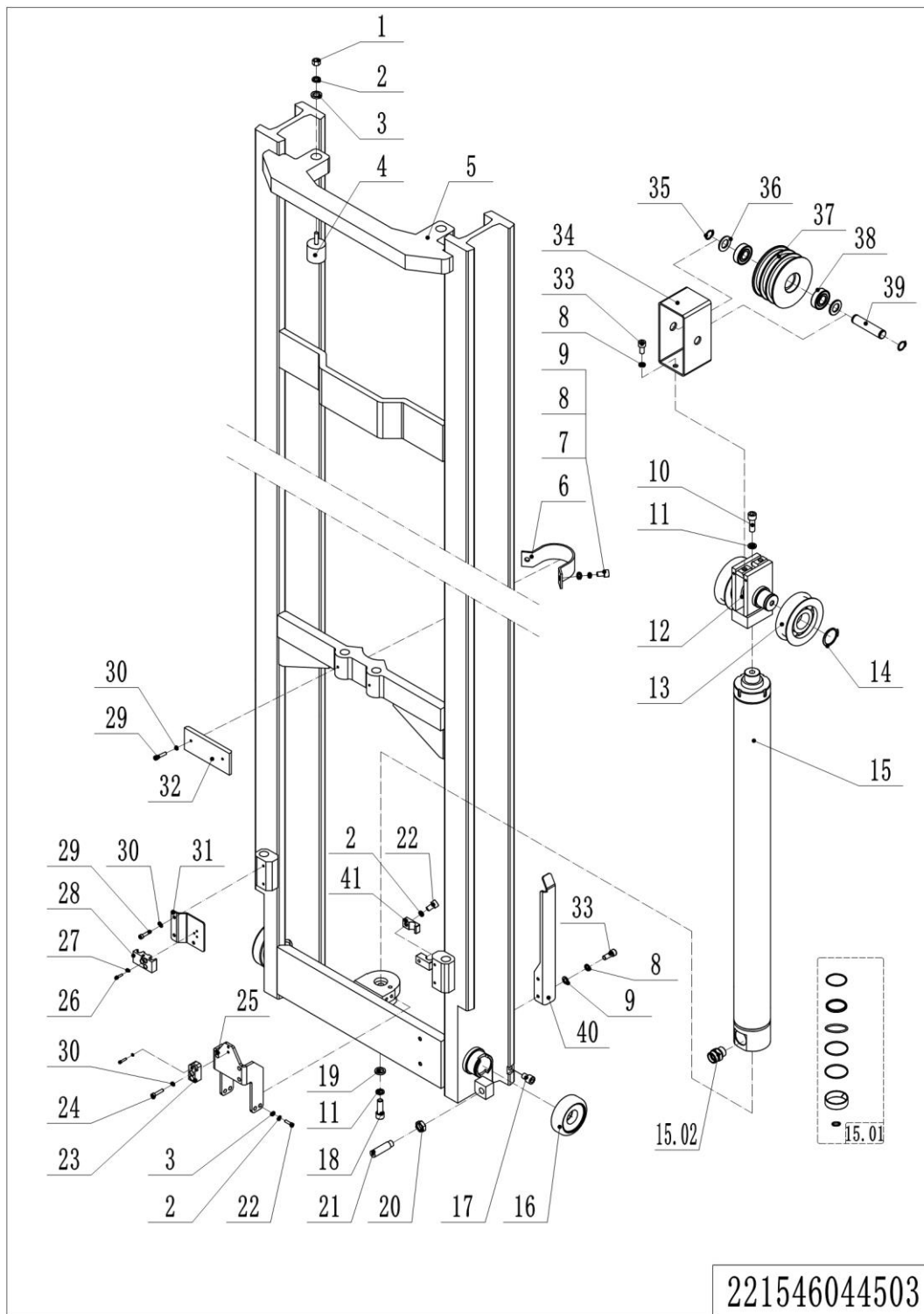


1= Supply as package. 2= Supply with constraints. 3= Phasing-out supply. 4= Supply as assembly. 5= Check other tables.

02 Middle Mast(221546044502)

No.	Item Code	Mark	Item Description	Qty.	Substitute	Note
1	910100200014		Bolt	4		
2	910300400006		Nut	4		
3	221544510007		Middle Mast (4500)	1		
3	221544510008		Middle Mast (4800)	1		
3	221544510009		Middle Mast (6000)	1		
3	221544510010		Middle Mast (7000)	1		
3	221544510011		Middle Mast (8000)	1		
3	221544510012		Middle Mast (9000)	1		
4	940200300054		Compound Roller	2		
5	910100300057		Bolt	1		
6	910400500008		Spring Washer	2		
7	212144520052		Washer	2		
8	212144520050		Pulley	1		
9	910700200019		Bearing	4		
10	212144520051		Pin	1		
11	910401300022		Circlip	2		
12	940200500012		Sprocket Bearing	2		
13	910300100006		Nut	1		
14	910200900014		Screw	1		
15	221544520035		Mounting Plate	1		
16	910200200096		Screw	2		
17	940200300055		Compound Roller	2		
18	910200200033		Screw	4		
19	910400500005		Spring Washer	4		
20	910400100005		Flat Washer	4		
21	221544520036		Mounting Plate	1		
22	910100100056		Bolt	1		
23	214544520053		Pulley	1		
24	221544520043		Bushing	1		

03 Inner Mast(221546044503)

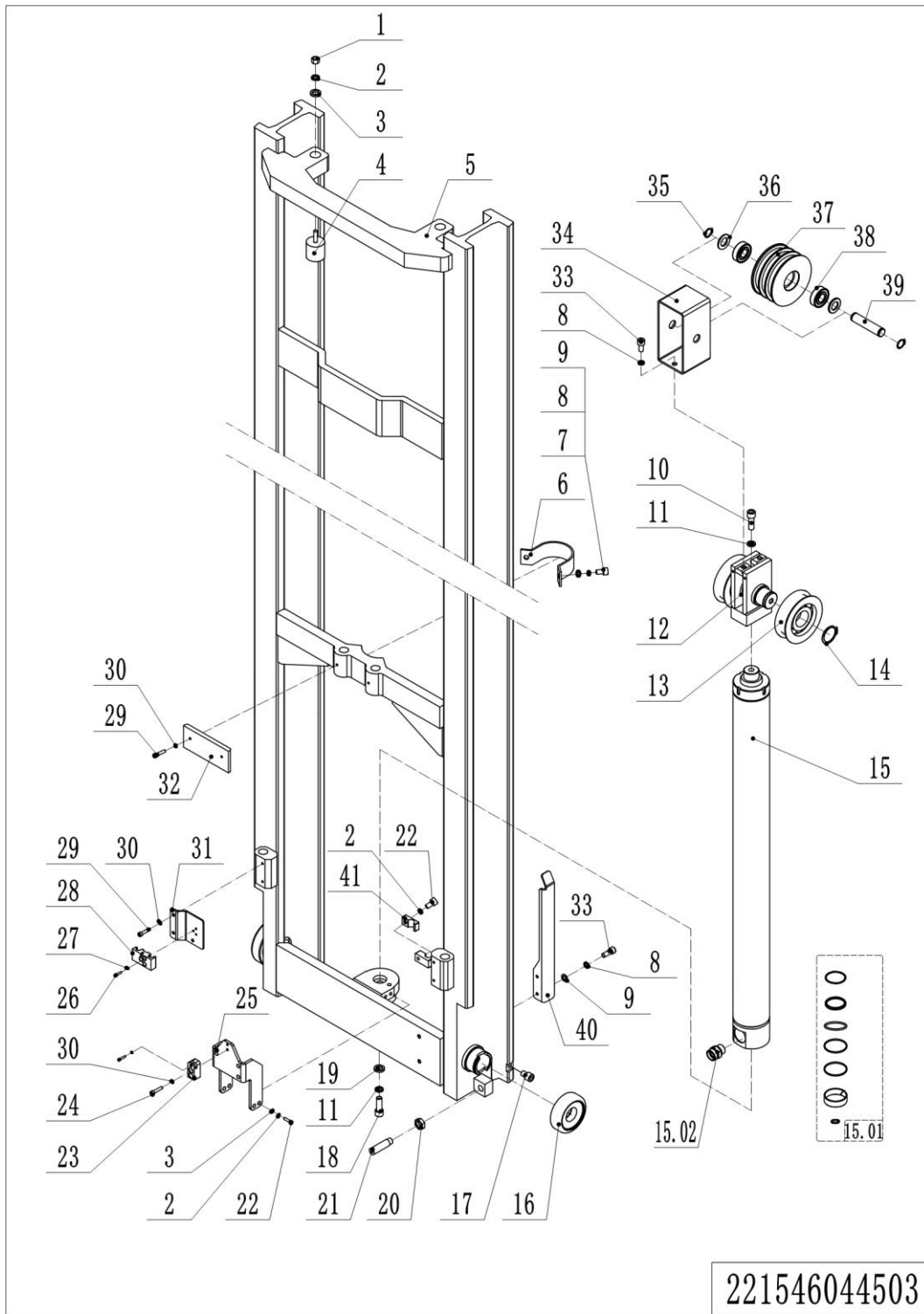


1= Supply as package. 2= Supply with constraints. 3= Phasing-out supply. 4= Supply as assembly. 5= Check other tables.

03 Inner Mast(221546044503)

No.	Item Code	Mark	Item Description	Qty.	Substitute	Note
1	910300500004	1	Nut	2		
2	910400500006	1	Spring Washer	7		
3	910400100006	1	Flat Washer	6		
4	212144520242		Crash Pad	2		
5	221544510013		Inner Mast (4500)	1		4500
5	221544510014		Inner Mast (4800)	1		4800
5	221544510015		Inner Mast (6000)	1		6000
5	221544510016		Inner Mast (7000)	1		7000
5	221544510017		Inner Mast (8000)	1		8000
5	221544510018		Inner Mast (9000)	1		9000
6	212144520068		Fixing Plate	1		
7	910100300035	1	Bolt	2		
8	910400500007	1	Spring Washer	6		
9	910400100007	1	Flat Washer	4		
10	910200200099	1	Screw	2		
11	910400500008	1	Spring Washer	3		
12	221544510022		Yoke	1		
13	940200500012		Sprocket Bearing	2		
14	910401300022	1	Circlip	2		
15	221544510041		Cylinder	1		4500
15	221544510042		Cylinder	1		4800
15	221544510043		Cylinder	1		6000
15	221544510044		Cylinder	1		7000
15	221544510045		Cylinder	1		8000
15	221544510046		Cylinder	1		9000
15.01	212198510003		Seal Kit	1		
15.02	212198520036		Anti-explosion Valve	1		
16	940200300054		Compound Roller	2		
17	910200200096		Screw	2		
18	910100200005		Bolt	1		

03 Inner Mast(221546044503) Continuation

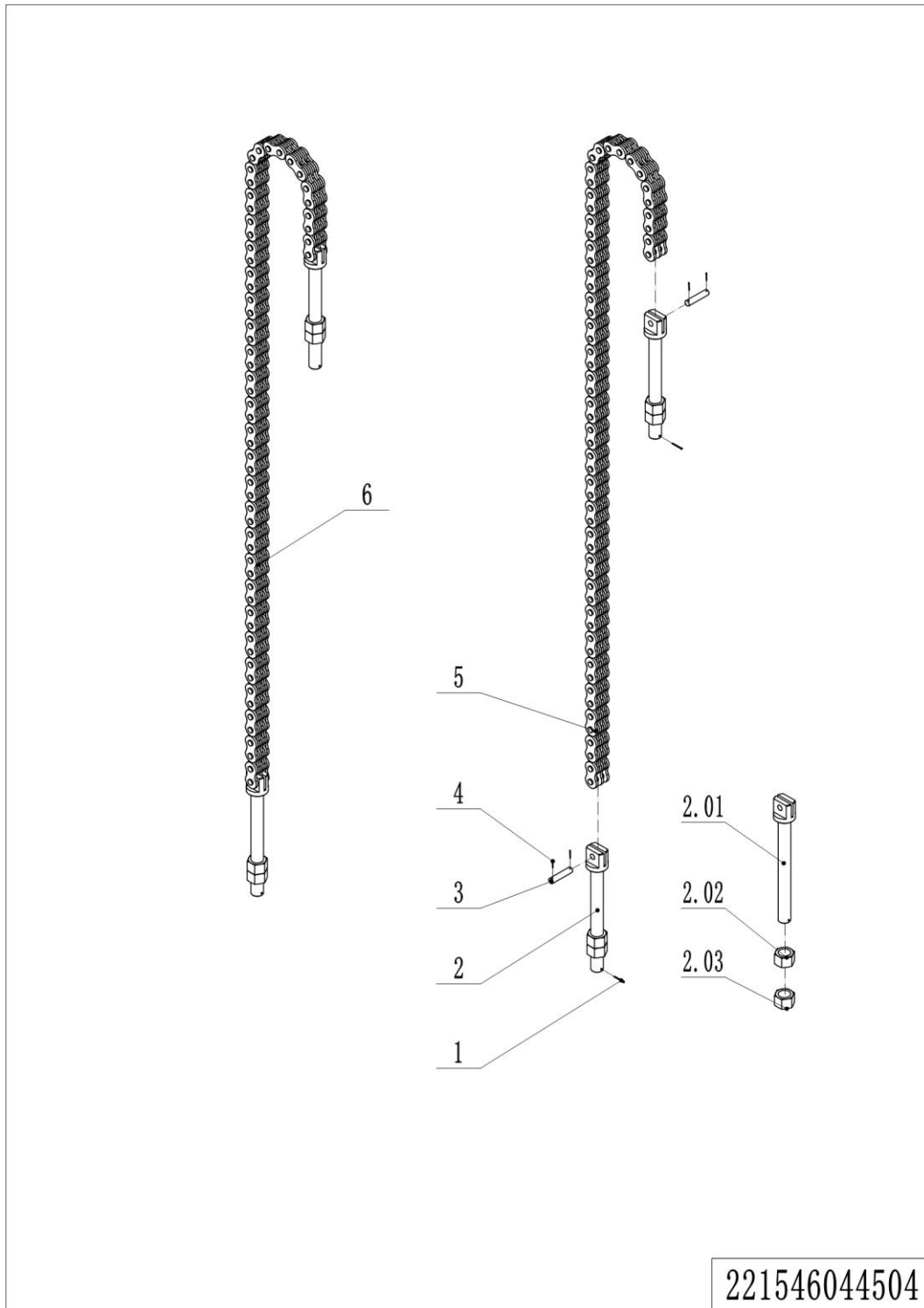


1= Supply as package. 2= Supply with constraints. 3= Phasing-out supply. 4= Supply as assembly. 5= Check other tables.

03 Inner Mast(221546044503) Continuation

No.	Item Code	Mark	Item Description	Qty.	Substitute	Note
19	910400100008	1	Flat Washer	1		
20	910300400006		Nut	2		
21	910100200014		Bolt	2		
22	910200200055	1	Screw	5		
23	221544520129		Fixing Base	1		
24	910200200035		Screw	2		
25	221544520044		Mounting Plate	1		
26	910200200023		Screw	4		
27	910400500004		Spring Washer	4		
28	221544520042		Pipe Clip	1		
29	910200300017		Screw	4		
30	910400500005	1	Spring Washer	6		
31	221544520040		Mounting Plate	1		
32	221544520110		Press Plate	1		
33	910200200075		Screw	4		
34	221544510023		Bracket	1		
35	910401300011		Circlip	2		
36	910400100012		Flat Washer	2		
37	214544520053		Pulley	1		
38	910700200019		Bearing	2		
39	221544520122		Pin	1		
40	221544520037		Mounting Plate	1		
41	221544520041		Pipe Clip	1		

04 Chain(221546044504) Side

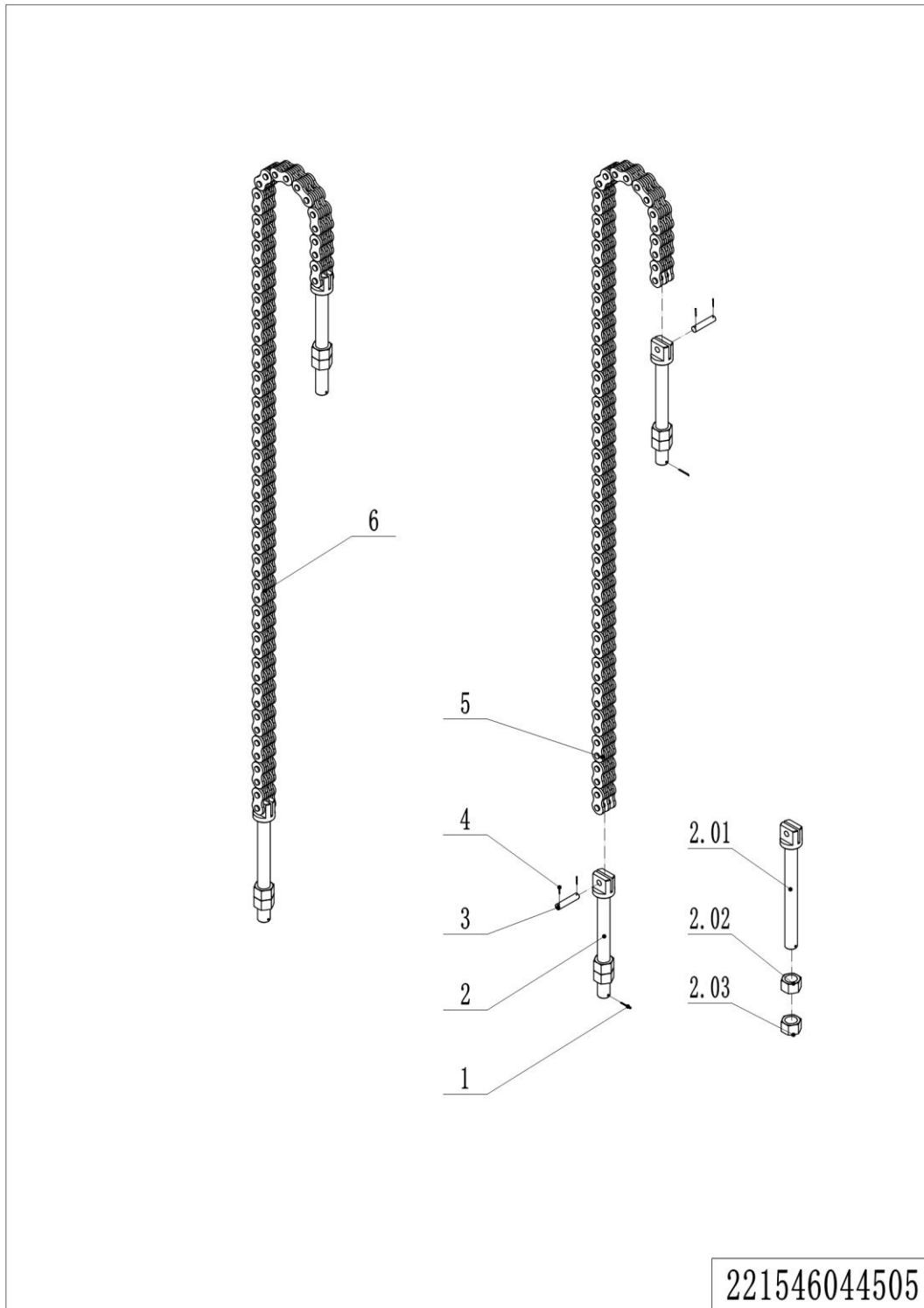


1= Supply as package. 2= Supply with constraints. 3= Phasing-out supply. 4= Supply as assembly. 5= Check other tables.

04 Chain(221546044504)Side

No.	Item Code	Mark	Item Description	Qty.	Substitute	Note
1	910600600030		Cotter Pin	4		
2	221544510067		Bolt Kit	4		
2.01	254044020062		Chain Anchor	4		
2.02	221598520001		Nut M20x1.5	4		
2.03	221598520000		Nut M20x1.5	4		
3	263044020044		Pin 9.5x38	4		
4	910600600026		Cotter Pin	8		
5	910900400015		Chain	2		
6	221544510061		Chain LH1634-79	2		4500
6	221544510062		Chain LH1634-83	2		4800
6	221544510056		Chain LH1634-99	2		6000
6	221544510064		Chain LH1634-113	2		7000
6	221544510065		Chain LH1634-125	2		8000
6	221544510066		Chain LH1634-139	2		9000

05 Chain (221546044505) Middle

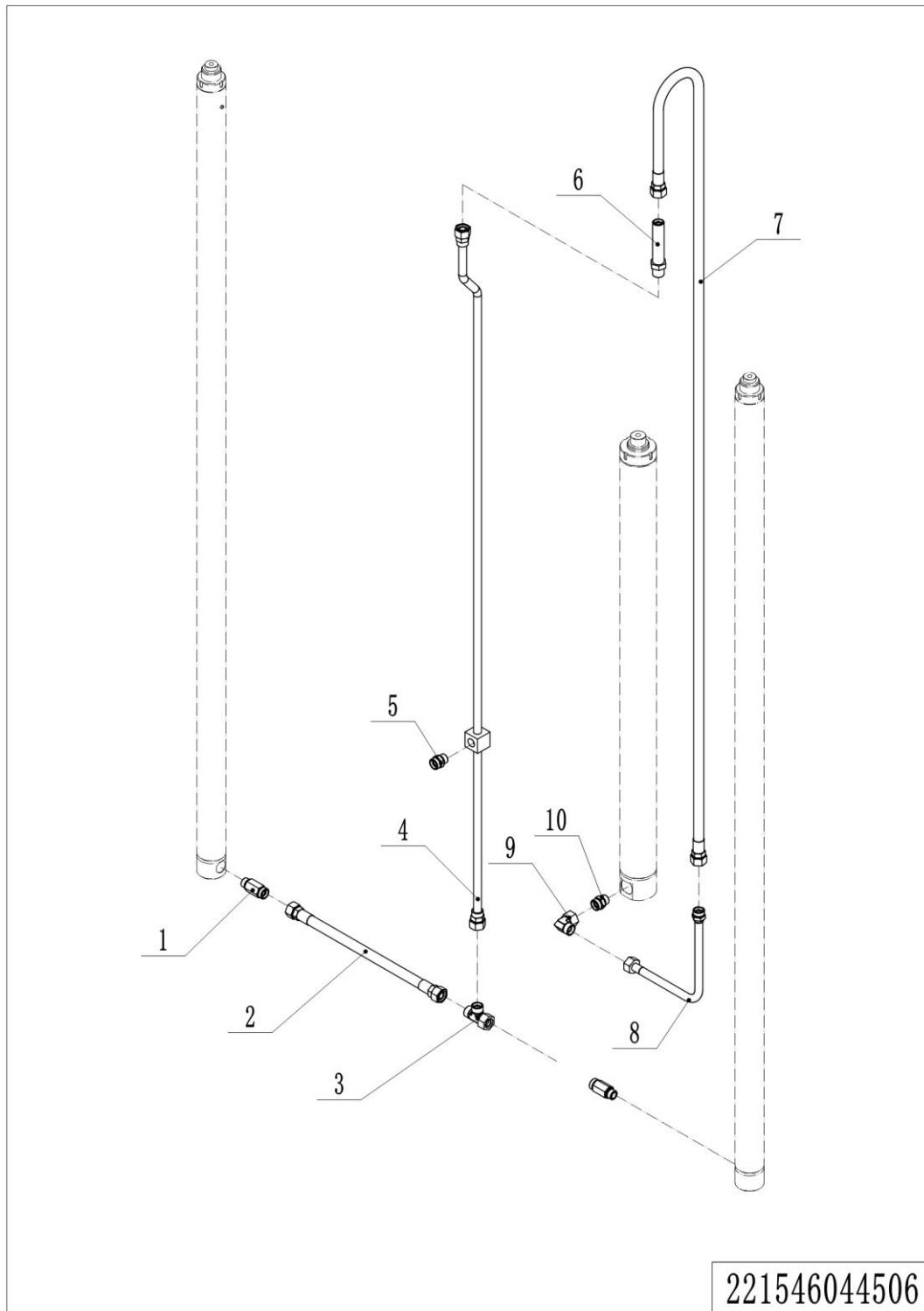


1= Supply as package. 2= Supply with constraints. 3= Phasing-out supply. 4= Supply as assembly. 5= Check other tables.

05 Chain(221546044505)Middle

No.	Item Code	Mark	Item Description	Qty.	Substitute	Note
1	910600600030		Cotter Pin	4		
2	221544510067		Bolt Kit	4		
2.01	254044020062		Chain Anchor	4		
2.02	221598520001		Nut M20x1.5	4		
2.03	221598520000		Nut M20x1.5	4		
3	263044020044		Pin 9.5x38	4		
4	910600600026		Cotter Pin	8		
5	910900400015		Chain	2		
6	221544510051		Chain LH1634-55	2		4500
6	221544510053		Chain LH1634-59	2		4800
6	221544510053		Chain LH1634-59	2		6000
6	221544510054		Chain LH1634-73	2		7000
6	221544510055		Chain LH1634-85	2		8000
6	221544510056		Chain LH1634-99	2		9000

06 Mast Hydraulic(221546044506)



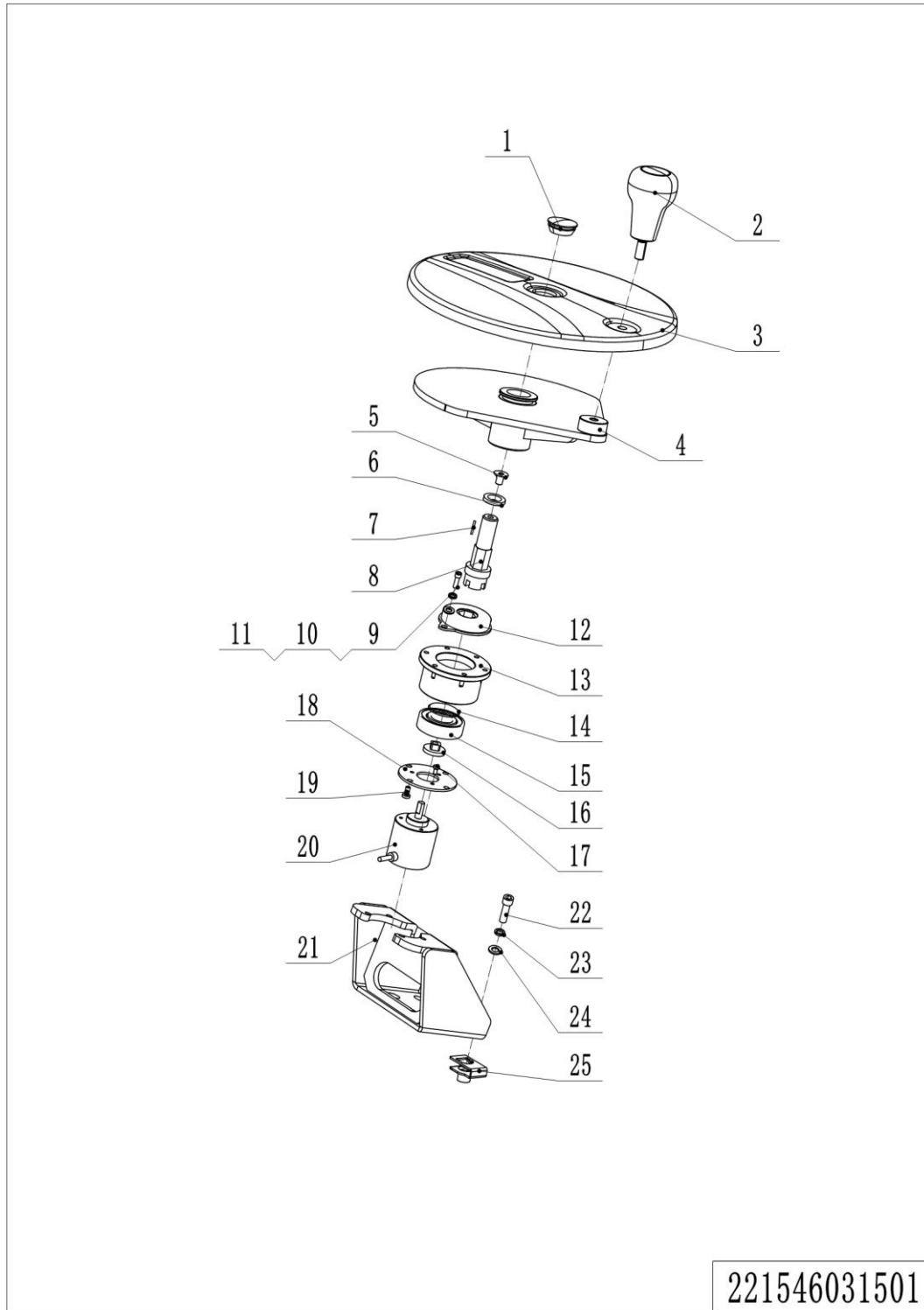
1= Supply as package. 2= Supply with constraints. 3= Phasing-out supply. 4= Supply as assembly. 5= Check other tables.

06 Mast Hydraulic(221546044506)

No.	Item Code	Mark	Item Description	Qty.	Substitute	Note
1	212198520022		Anti-explosion Valve	2		
2	221544520051		Hose	1		
3	950401000004		Joint	1		
4	221544520108		Steel Tube	1		4500
4	221544520057		Steel Tube	1		4800
4	221544520055		Steel Tube	1		6000
4	221544520058		Steel Tube	1		7000
4	221544520059		Steel Tube	1		8000
4	221544520054		Steel Tube	1		9000
5	950400400011		Joint	1		
6	950400500003		Joint	1		
7	221544520111		Hose	1		4500
7	221544520112		Hose	1		4800
7	221544520053		Hose	1		6000
7	221544520113		Hose	1		7000
7	221544520114		Hose	1		8000
7	221544520052		Hose	1		9000
8	221544520050		Steel Tube	1		
9	950400200006		Joint	1		
10	212198520036		Anti-explosion Valve	1		

Chapter 6: Steering, handle, pedal, guard armand wheels

01 Steering Wheel(22156031501)

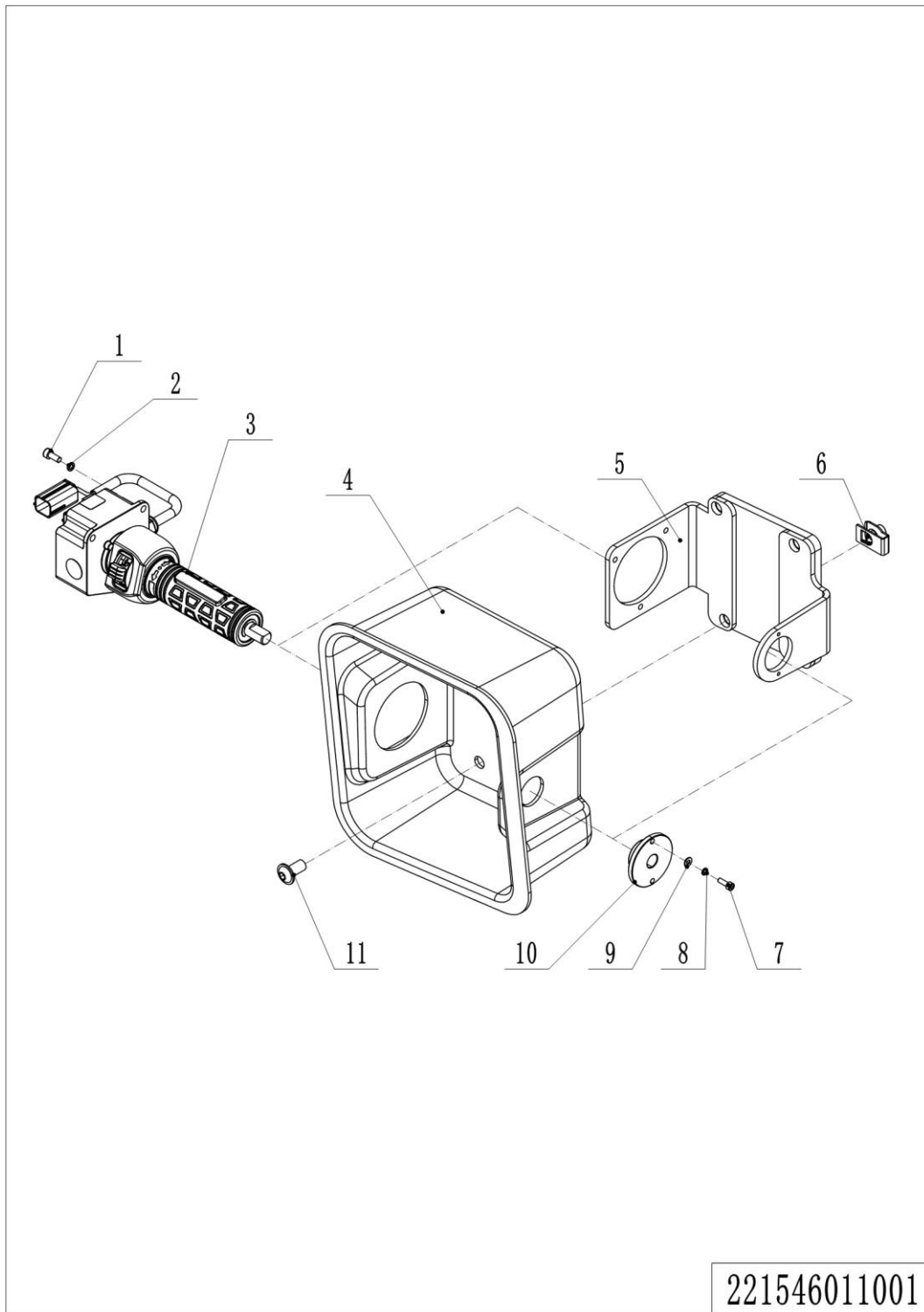


1= Supply as package. 2= Supply with constraints. 3= Phasing-out supply. 4= Supply as assembly. 5= Check other tables.

01 Steering Wheel(22156031501)

No.	Item Code	Mark	Item Description	Qty.	Substitute	Note
1	221531520007		End Cap	1		
2	940801800001		Tiller	1		
3	221531520000		Steering Wheel	1		
4	940801700001		Handwheel	1		
5	910200400015		Screw	1		
6	212131520006		Washer	1		
7	910600800004		Flat Key	1		
8	212131520005		Axle	1		
9	910200500038		Screw	5		
10	910400100004		Flat Washer	5		
11	910400500004		Spring Washer	5		
12	204010020004		Damper	1		
13	212131520007		Bracket	1		
14	910401400012		Circlip	1		
15	910700200004		Bearing	1		
16	505931520002		Link Block	1		
17	910200500009		Screw	3		
18	212131520008		Fixing Plate	1		
19	910200500021		Screw	4		
20	212131510002		Potentiometer	1		
20	921800200031		Encoder	1		
21	221531510000		Axle	1		
22	910200200077		Screw	4		
23	910400500007		Spring Washer	4		
24	910400100007		Flat Washer	4		
25	940400400003		Cage Nut	4		

02 Tiller Unit(221546011001)

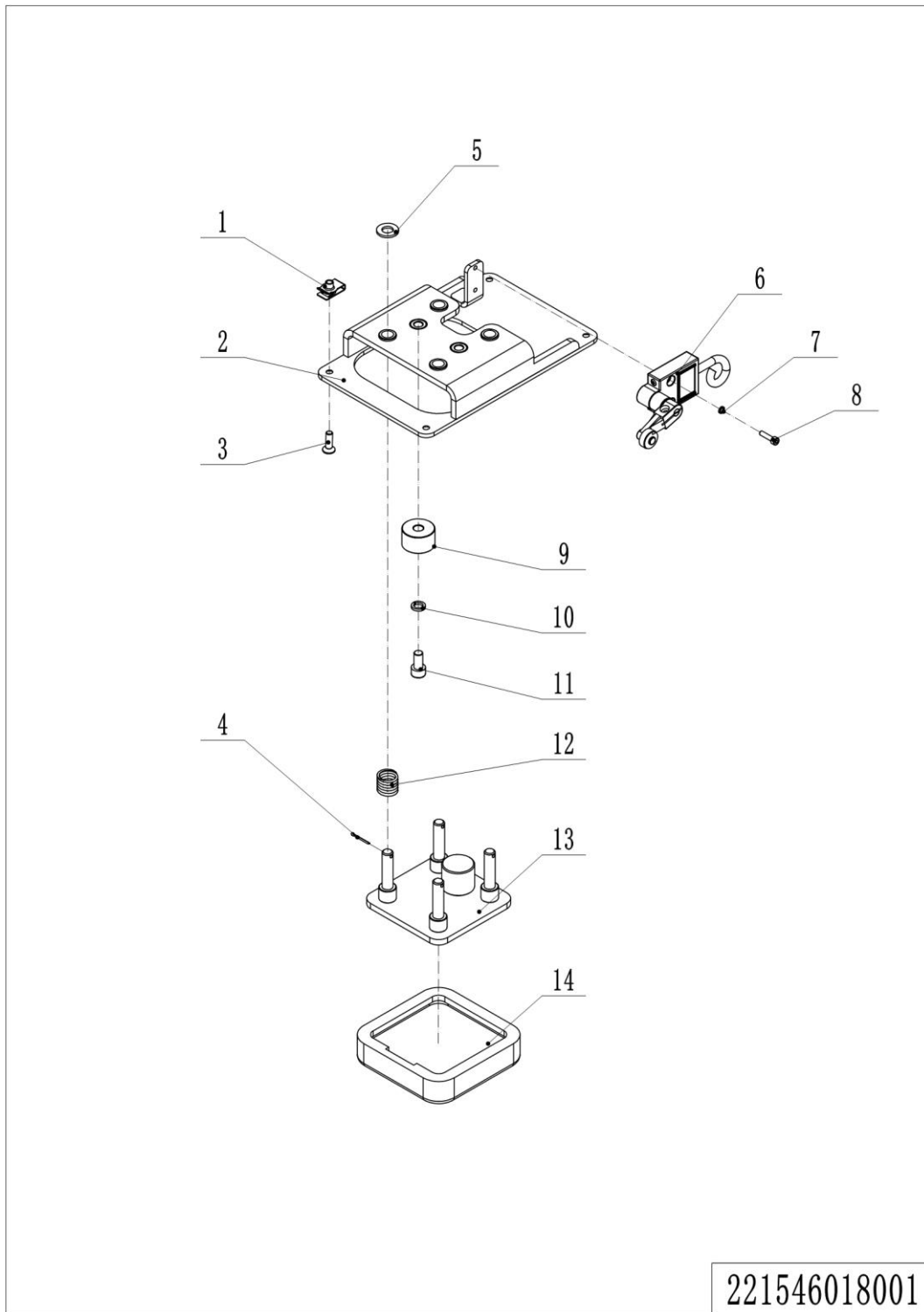


1= Supply as package. 2= Supply with constraints. 3= Phasing-out supply. 4= Supply as assembly. 5= Check other tables.

02 Tiller Unit(221546011001)

No.	Item Code	Mark	Item Description	Qty.	Substitute	Note
1	910200200022		Screw	3		
2	910400500004		Spring Washer	3		
3	922100100135		Tiller N400C-1	1		
4	221511020000		Cover	1		
5	221511010000		Bracket	1		
6	940400400003		Cage Nut	4		
7	910200200014		Screw	2		
8	910400500003		Spring Washer	2		
9	910400100003		Flat Washer	2		
10	221511020005		Mounting Base	1		
11	941100100004		Screw	4		

03 pedal(221546018001)

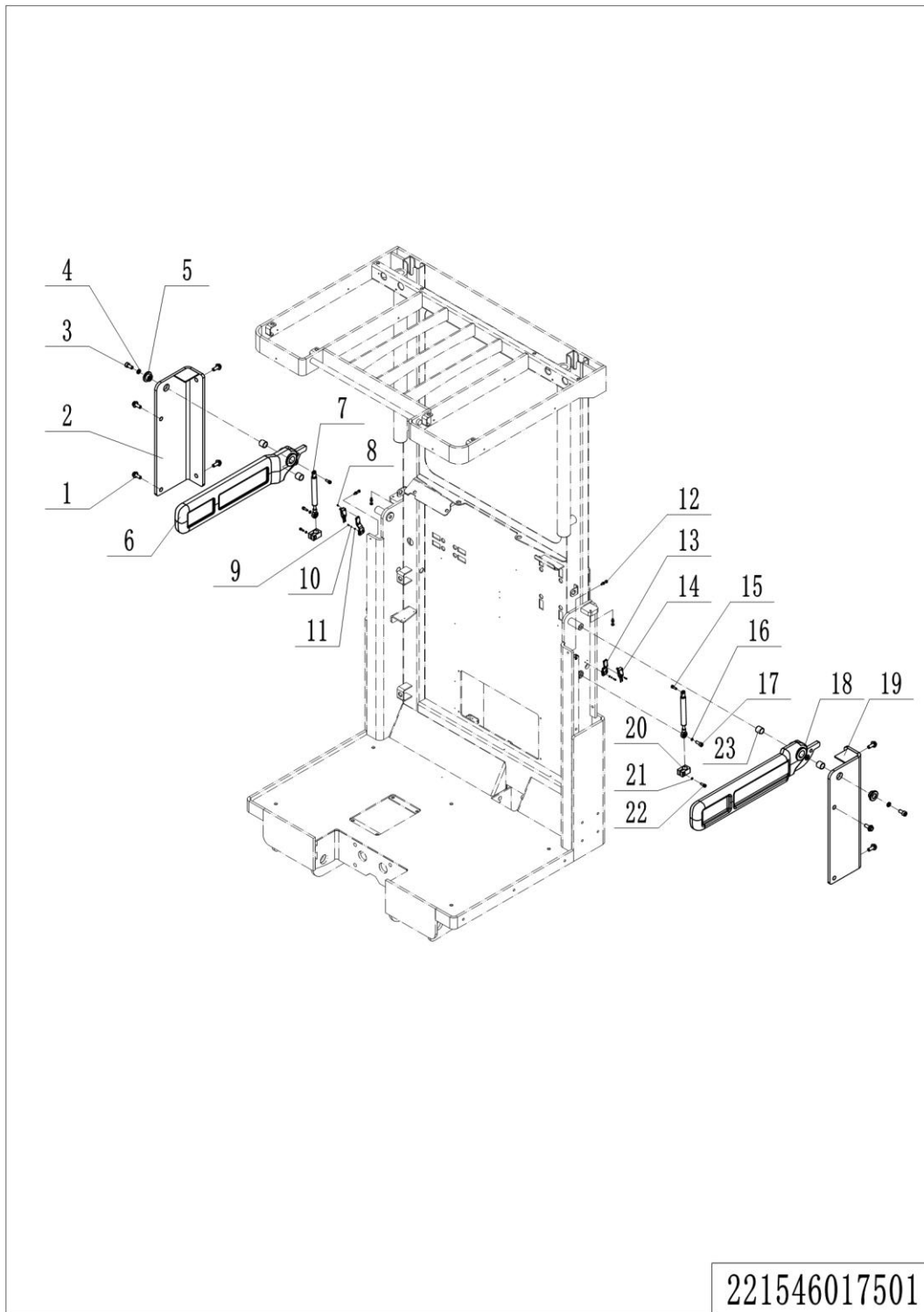


1= Supply as package. 2= Supply with constraints. 3= Phasing-out supply. 4= Supply as assembly. 5= Check other tables.

03 pedal(221546018001)

No.	Item Code	Mark	Item Description	Qty.	Substitute	Note
1	940400400001		Cage Nut	4		
2	221518010000		Fixing Base	1		
3	910200400017		Screw	4		
4	910600600022		Cotter Pin	4		
5	910400100007		Flat Washer	4		
6	920200600015		Microswitch XZ-3104	1		
7	910400500003		Spring Washer	2		
8	910200200015		Screw	2		
9	532621520062		Crash Pad	2		
10	910400500006		Spring Washer	2		
11	910200200055		Screw	2		
12	214518020027		Spring	4		
13	221518010001		Mounting Base	1		
14	221518020000		Rubber Sleeve	1		

04 Guard Arm(221546017501)

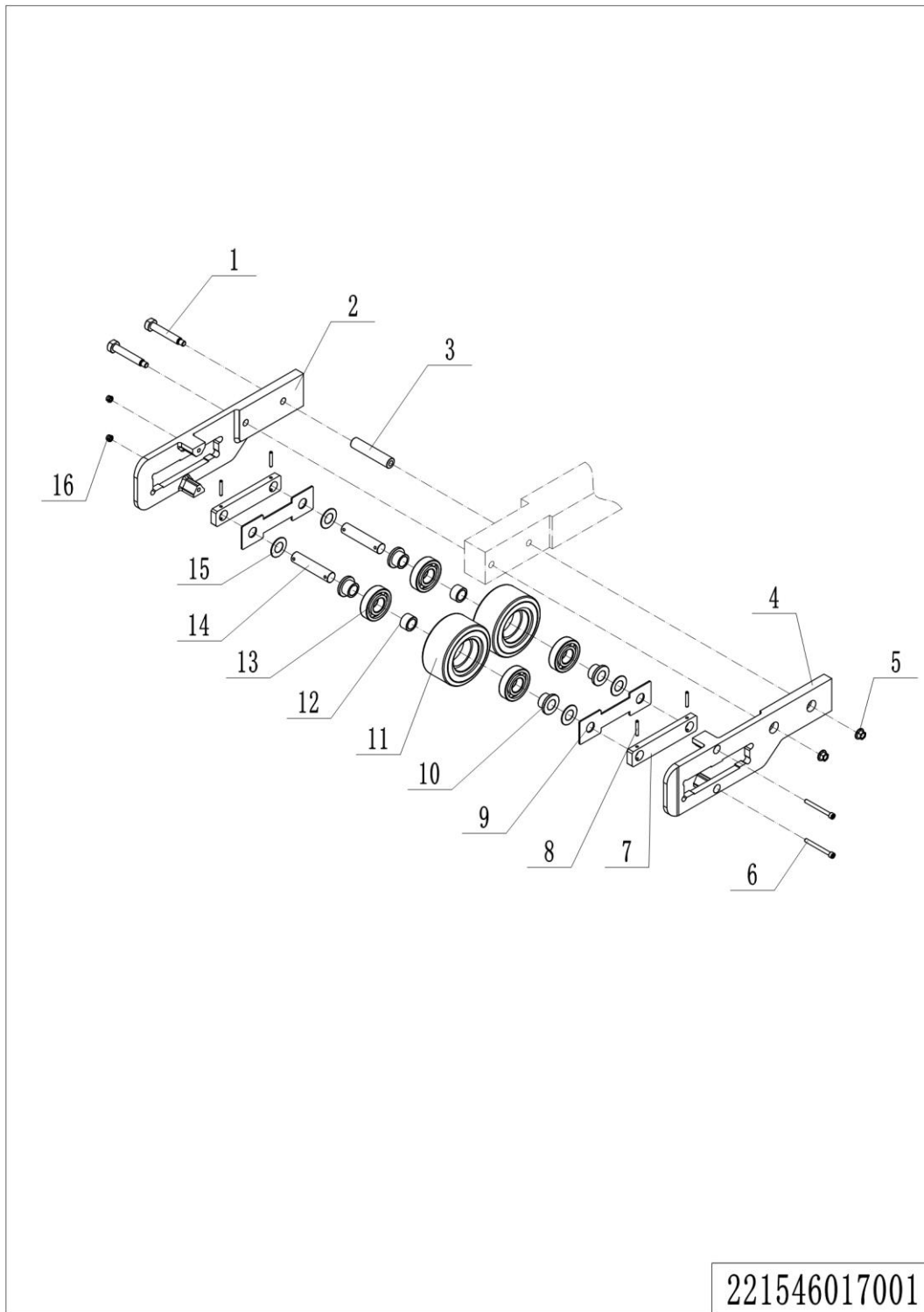


1= Supply as package. 2= Supply with constraints. 3= Phasing-out supply. 4= Supply as assembly. 5= Check other tables.

04 Guard Arm(221546017501)

No.	Item Code	Mark	Item Description	Qty.	Substitute	Note
1	910100800008		Bolt M10x25	8		
2	221517510001		Bangboard	1		
3	910200200076		Screw	2		
4	910400500007		Spring Washer	2		
5	221517520002		Bushing	2		
6	221517520000		Protective Arm	1		
7	940400100062		Gas Spring	2		
8	910200200004		Screw	4		
9	910200200014		Screw	4		
10	910400500003		Spring Washer	4		
11	910400100003		Flat Washer	4		
12	221517510003		Bolt M8x20	4		
13	221517520005		Mounting Plate	2		
14	920200300028		Microswitch	2		
15	910200200069		Screw	2		
16	910400500006		Spring Washer	2		
17	910200200057		Screw	2		
18	221517520001		Protective Arm	1		
19	221517510000		Bangboard	1		
20	221517520006		Stop Block	2		
21	910400500005		Spring Washer	2		
22	910100300010		Bolt	2		
23	940500400030		Bushing	4		

05 Load Wheel(221546017001)



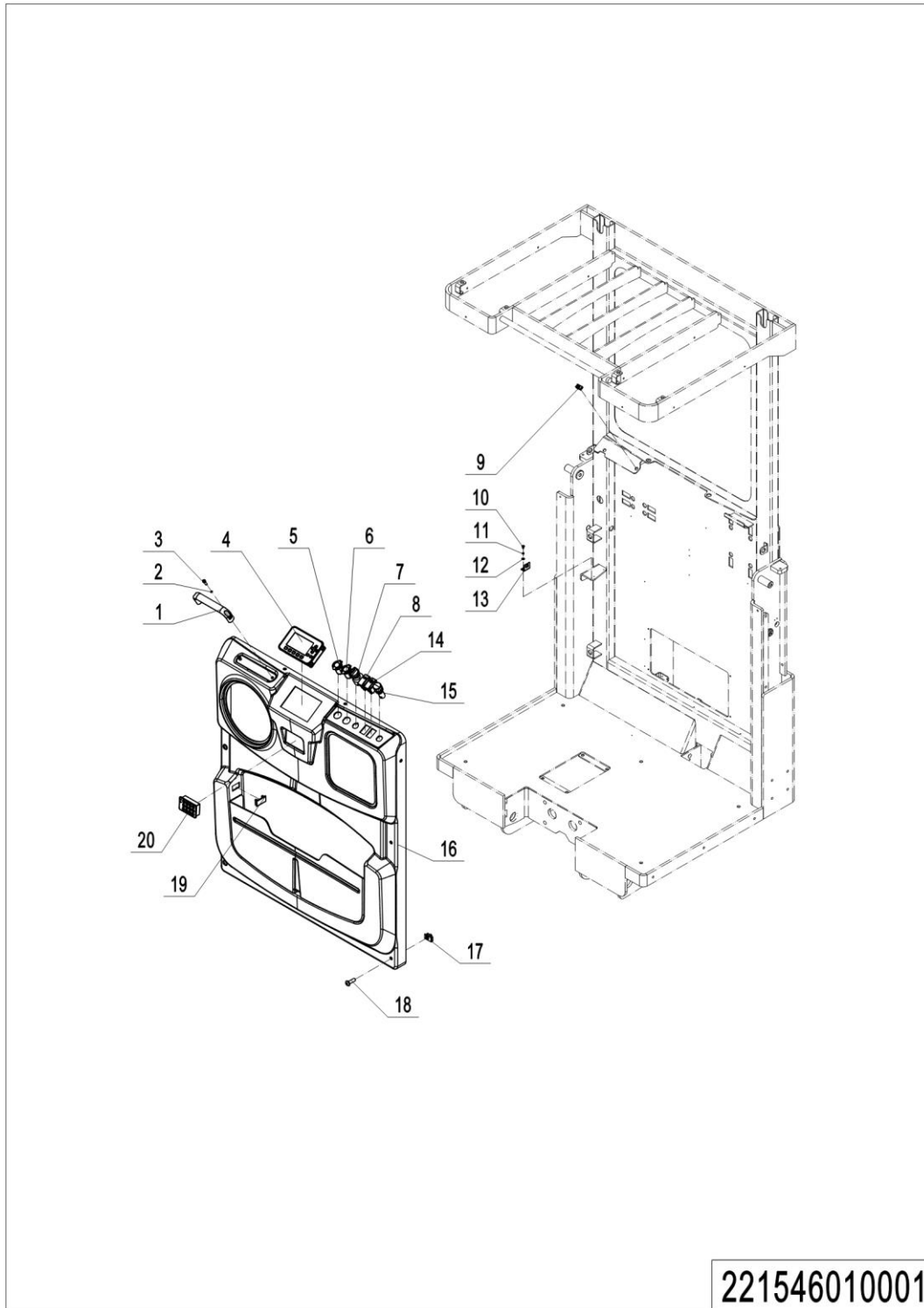
1= Supply as package. 2= Supply with constraints. 3= Phasing-out supply. 4= Supply as assembly. 5= Check other tables.

05 Load Wheel(221546017001)

No.	Item Code	Mark	Item Description	Qty.	Substitute	Note
1	221517020007		Pin	4		
2	221517020001		Fixing Plate	2		
3	221517020010		Eccentric sleeve	2		
4	221517020002		Fixing Plate	2		
5	910302600002		Nut	4		
6	910200200214		Screw	4		
7	221517020004		Fixing Plate	4		
8	910600400039		Spring Pin	8		
9	221517020005		Subplate	4		
10	221517020008		Bushing	8		
11	940300300061		WheelΦ152.4x73.2	4		
12	221517020009		Bushing	4		
13	910700200033		Bearing	8		
14	221517020000		Axle	4		
15	940600500016		Washer	8		
16	910300500016		Nut M8	4		

Chapter 7: Electrical Parts

01 Display Assembly(212146010001)

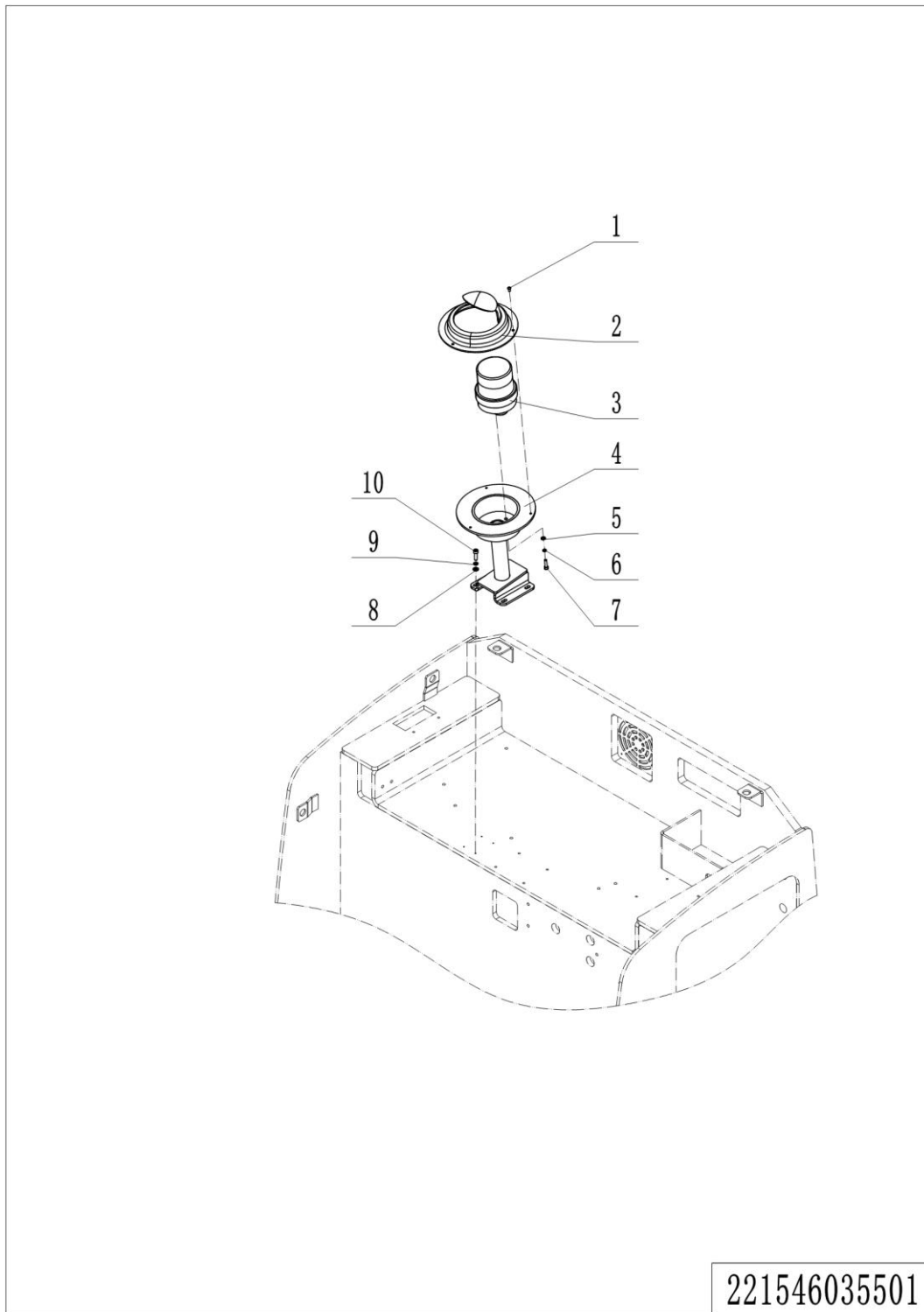


1= Supply as package. 2= Supply with constraints. 3= Phasing-out supply. 4= Supply as assembly. 5= Check other tables.

01 Display Assembly(221546010001)

No.	Item Code	Mar	Item Description	Qty.	Substitute	Note
1	221510020001		Handle	1		
2	910400500005		Spring Washer	2		
3	910200200039		Screw	2		
4	921100100063		Display	1		
5	921900100022		Converter	1		
6	221533010020		Converter	1		
7	920200200042		Key Switch	1		
8	920200800047		Switch	1		
9	940400400001		Cage Nut	2		
10	910200500034		Screw	2		
11	910400500003		Spring Washer	2		
12	910400100003		Flat Washer	2		
13	921300300003		Holder	1		
14	920200800044		Switch	1		
15	920200100021		Emergency Button	1		
16	221510020000		Cover	1		
17	940400400003		Cage Nut	8		
18	941100100004		Screw	8		
19	920200800046		Close Plate	1		
20	920200200038		Coded Lock	1		Optional

02 Warning light(221546035501)

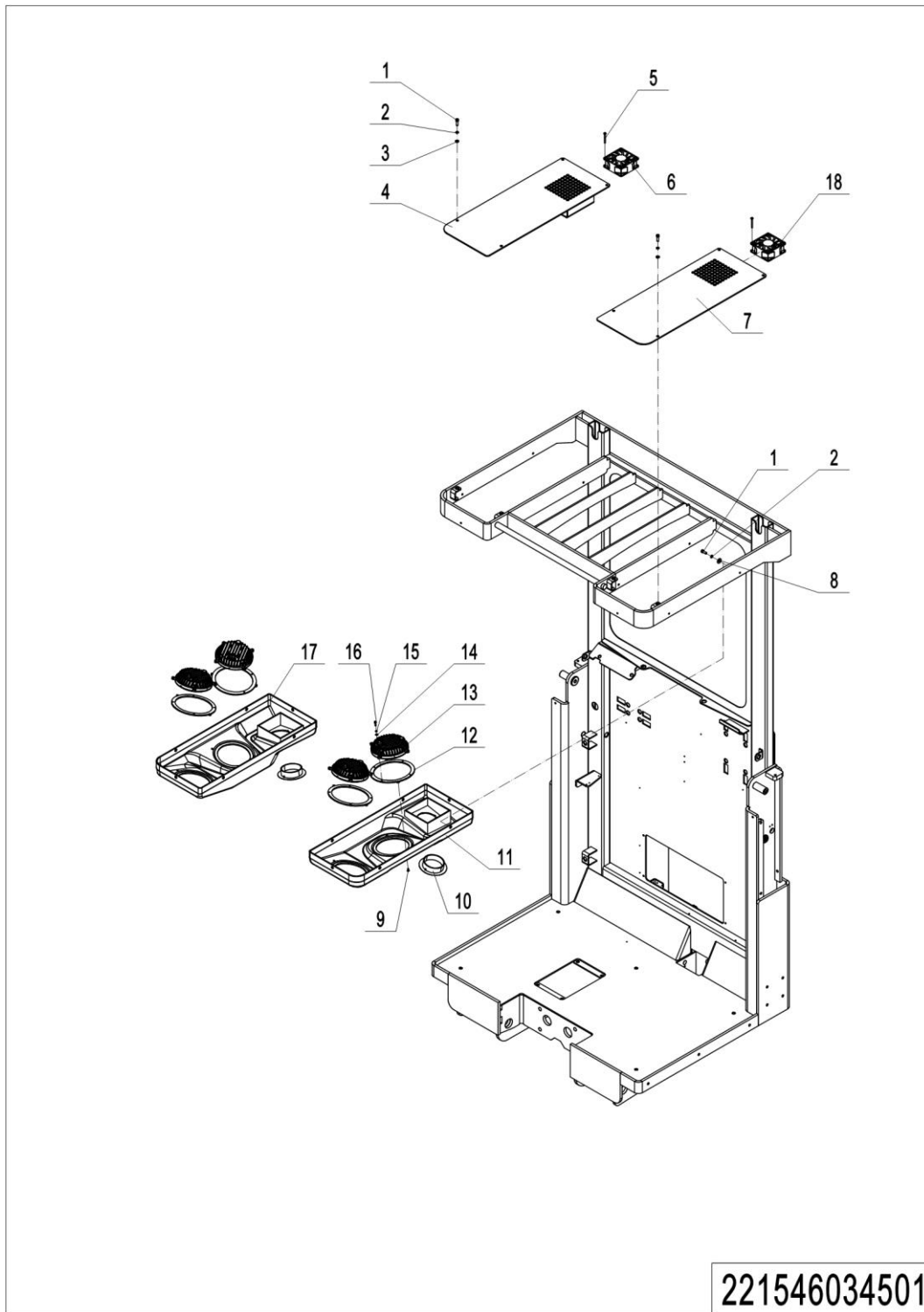


1= Supply as package. 2= Supply with constraints. 3= Phasing-out supply. 4= Supply as assembly. 5= Check other tables.

02 Warning light(221546035501)

No.	Item Code	Mark	Item Description	Qty.	Substitute	Note
1	910200500034		Screw	3		
2	221535520000		Protective Cover	1		
3	922000100039		Lamp	1		
4	221535510000		Bracket	1		
5	910400100004		Flat Washer	3		
6	910400500004		Spring Washer	3		
7	910200200024		Screw	3		
8	910400100005		Flat Washer	4		
9	910400500005		Spring Washer	4		
10	910200200035		Screw	4		

03 Working light(221546034501)

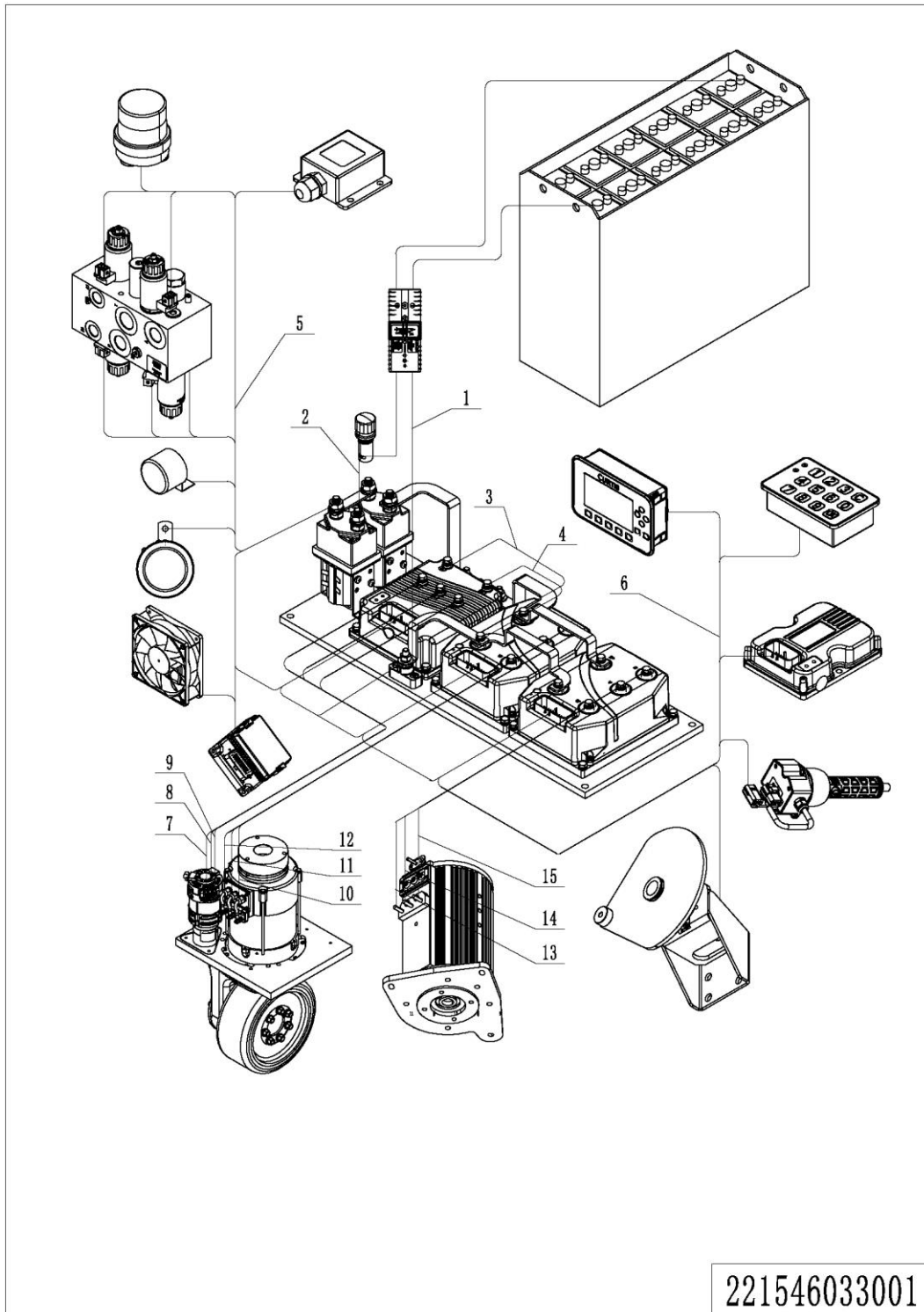


1= Supply as package. 2= Supply with constraints. 3= Phasing-out supply. 4= Supply as assembly. 5= Check other tables.

03 Working light(568346035001)

No.	Item Code	Mark	Item Description	Qty.	Substitute	Note
1	910200200035		Screw	20		
2	910400500005		Spring Washer	20		
3	910400100005		Flat Washer	8		
4	221553510001		Close Plate	1		
5	910200500030		Screw	8		
6	221533010018		Fan 92x92x38	1		
7	221553510002		Close Plate	1		
8	910400200002		Flat Washer	12		
9	910200300005		Screw	8		
10	221534520003		Vents	2		
11	221534520001		Cover	1		
12	221534520002		Lamp Holder	4		
13	922000100068		Lamp 5361-10W	4		
14	910400100003		Flat Washer	16		
15	910400500003		Spring Washer	16		
16	910200200014		Screw	16		
17	221534520000		Cover	1		
18	221533010024		Fan	1		

04 Wire Harness(221546033001)

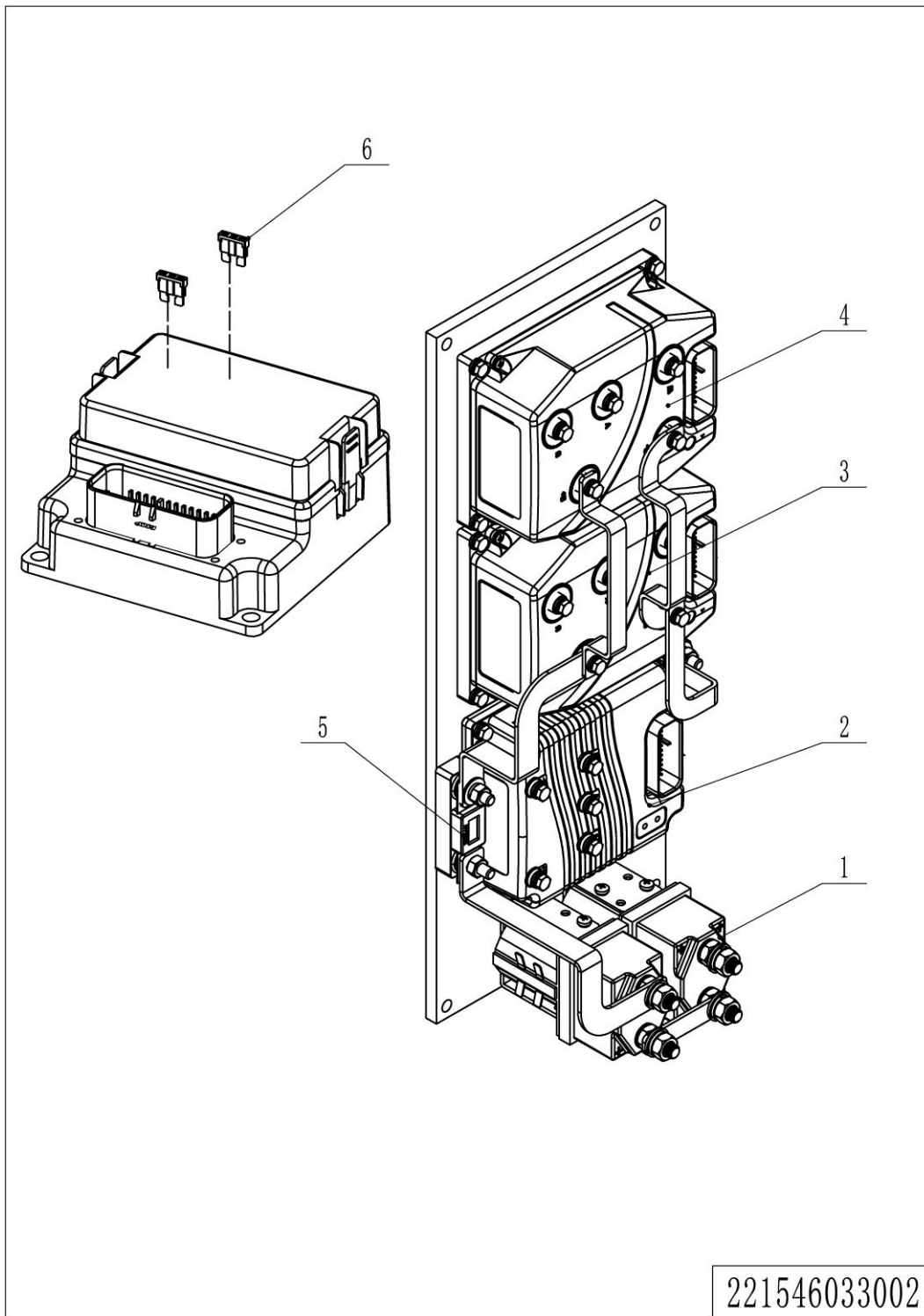


1= Supply as package. 2= Supply with constraints. 3= Phasing-out supply. 4= Supply as assembly. 5= Check other tables.

01 Wire Harness(221546033001)

No.	Item Code	Mark	Item Description	Qty.	Substitute	Note
1	921600700012		Battery Terminal Cap	1		Li
2	221533010016		Wire Harness	1		F4A Li
3	213033010018		Cable	1		
4	213033010019		Cable	1		
5	221533010000		Cable	1		
6	221533010006		Cable	1		
7	221533010013		Cable	1		
8	221533010014		Cable	1		
9	221533010015		Cable	1		
10	221533010009		Cable	1		
11	221533010008		Cable	1		
12	221533010007		Cable	1		
13	221533010010		Cable	1		
14	221533010011		Cable	1		
15	221533010012		Cable	1		

05 Controller(F4A)(221546033002)

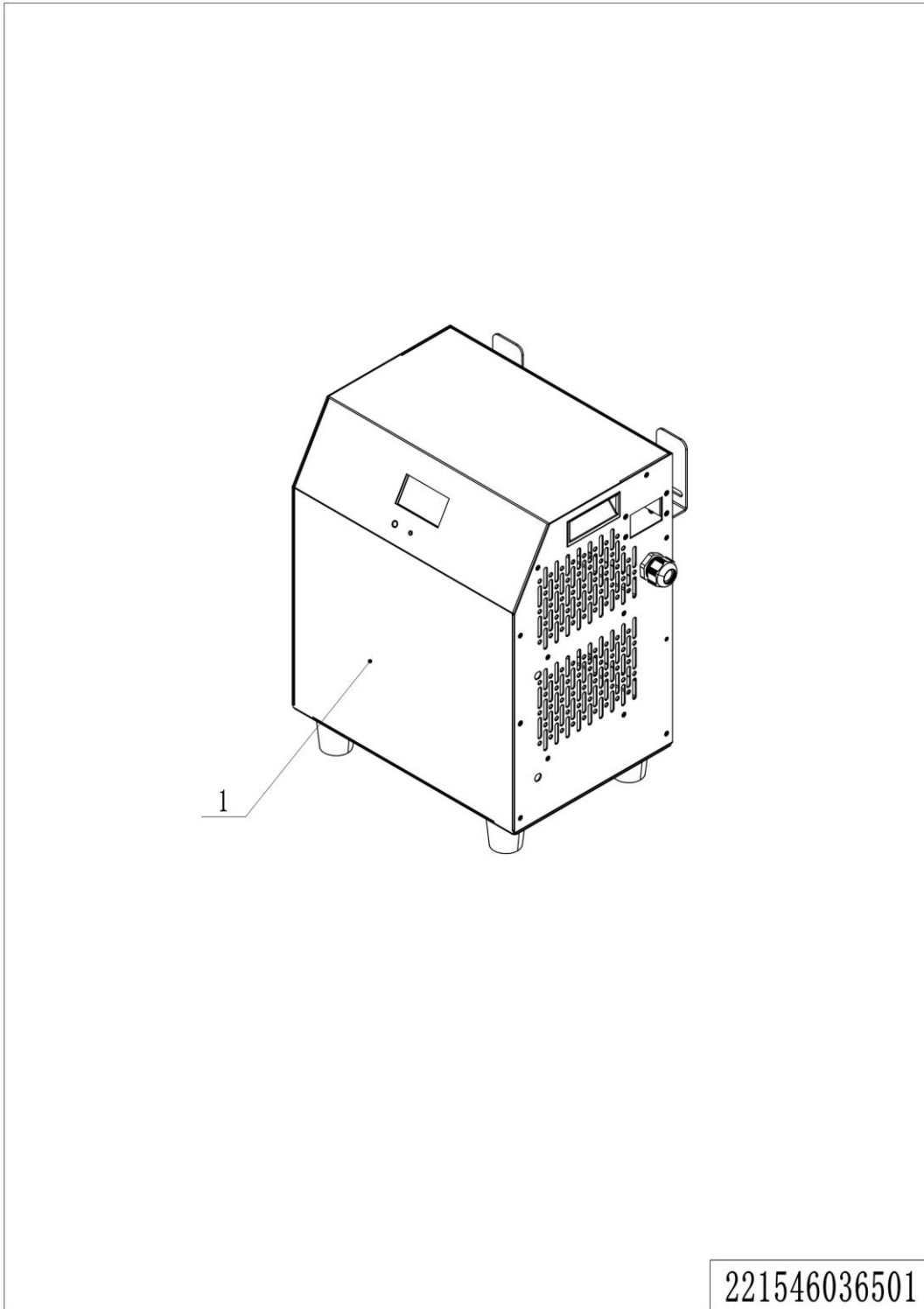


1= Supply as package. 2= Supply with constraints. 3= Phasing-out supply. 4= Supply as assembly. 5= Check other tables.

05 Controller(F4A)(221546033002)

No.	Item Code	Mark	Item Description	Qty.	Substitute	Note
1	921400100004		Controller	1		
2	921400100156		Controller	1		
3	921400100156		Controller	1		
4	920700100008		Contactora	1		
5	920100100014		Fuse	1		500A
6	920100200002		Fuse	7		10A

06 Charger(221546036501)



1= Supply as package. 2= Supply with constraints. 3= Phasing-out supply. 4= Supply as assembly. 5= Check other tables.

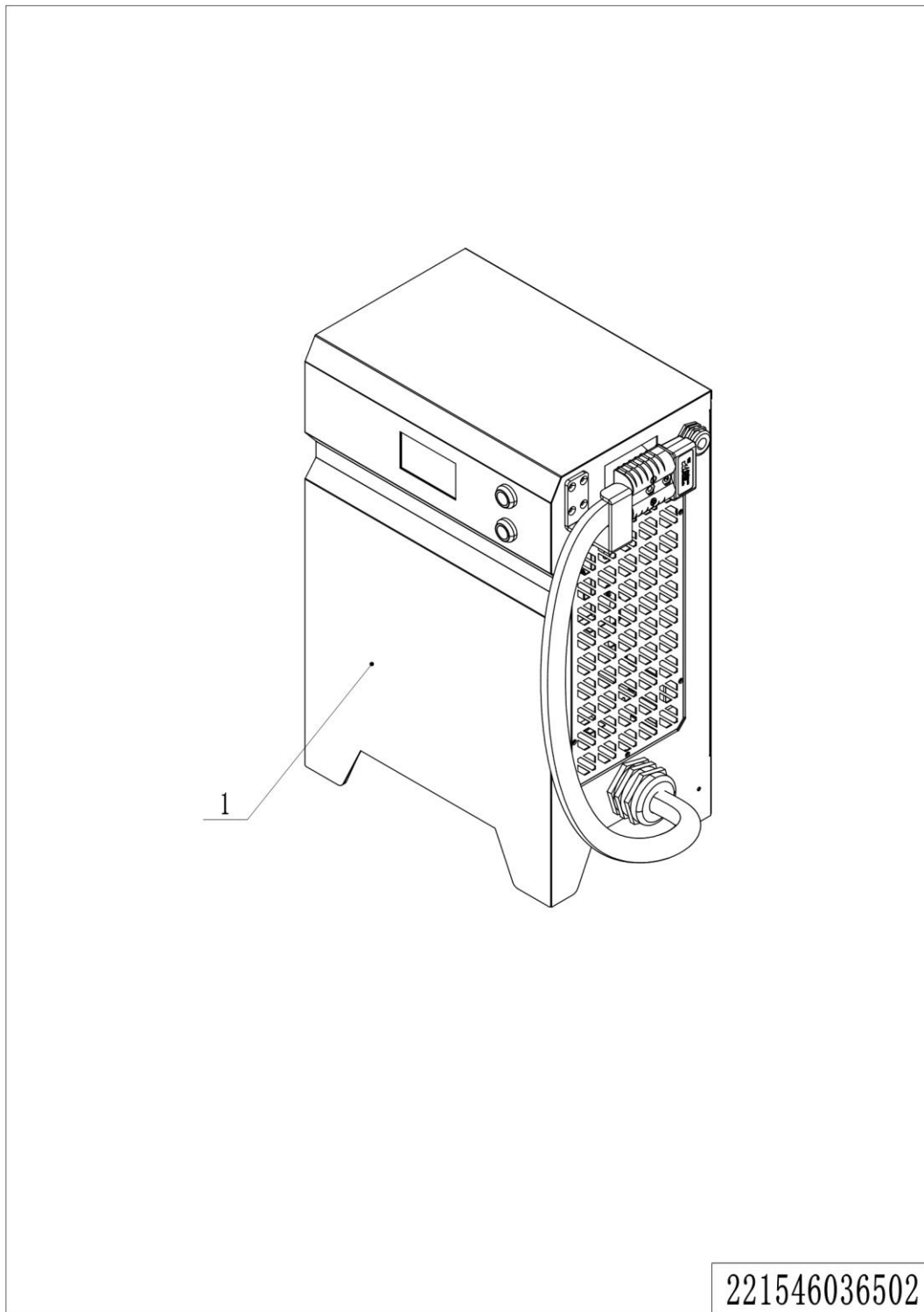
Print Number:

Print Date:

06 Charger(221546036501)

No.	Item Code	Mark	Item Description	Qty.	Substitute	Note
1	921000200838		Connector 24V140A (USA)			220V
1	921000200839		Connector 24V140A (USA)			480V
1	921000200863		Connector 24V140A (USA)			380V

07 Charger(221546036502) Li



1= Supply as package. 2= Supply with constraints. 3= Phasing-out supply. 4= Supply as assembly. 5= Check other tables.

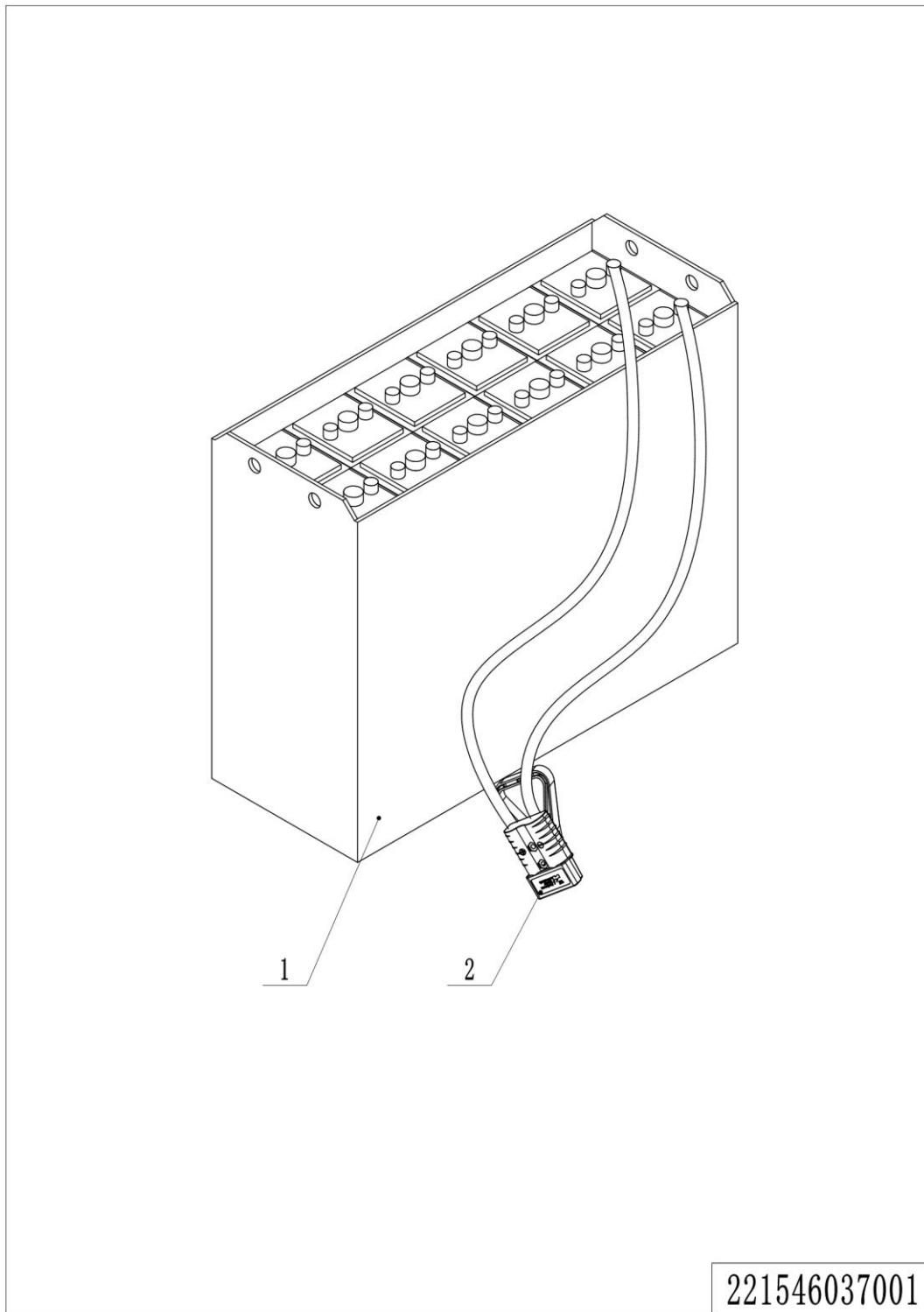
Print Number:

Print Date:

07 Charger(221546036502)Li

No.	Item Code	Mark	Item Description	Qty.	Substitute	Note
1	921000200871		Connector 24V200A (USA)	1		480V
1	921000200872		Connector 24V200A (USA)	1		220V

08 Battery(221546037001)



1= Supply as package. 2= Supply with constraints. 3= Phasing-out supply. 4= Supply as assembly. 5= Check other tables.

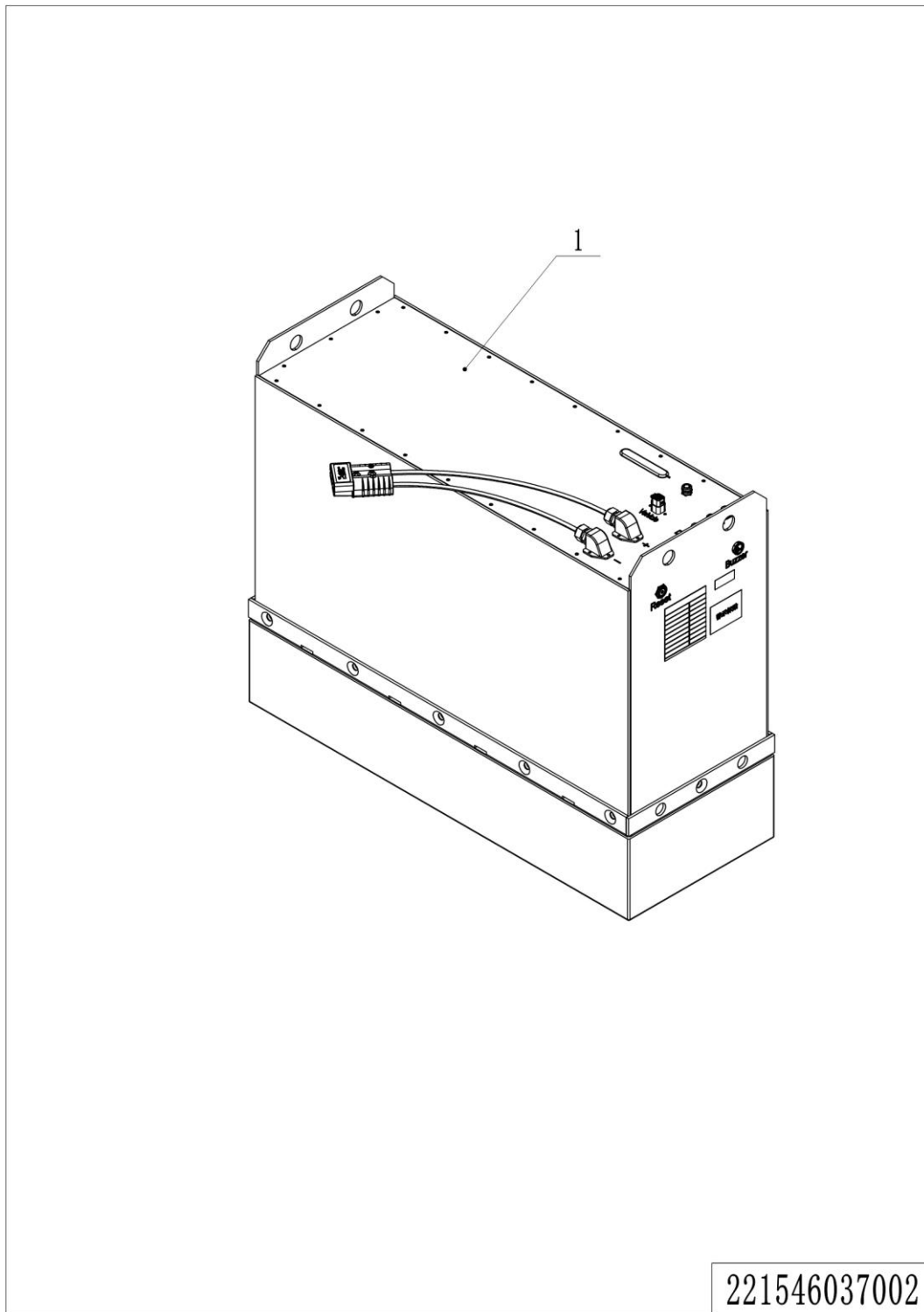
Print Number:

Print Date:

08 Battery(221546037001)

No.	Item Code	Mark	Item Description	Qty.	Substitute	Note
1	221537010000		Battery 24V1000Ah	1		TN
1	221537010001		Battery 24V1000Ah	1		TN- Add Water
2	221598510000		Connector	1		APP

09 Battery(221546037002)Li



221546037002

1= Supply as package. 2= Supply with constraints. 3= Phasing-out supply. 4= Supply as assembly. 5= Check other tables.

Print Number:

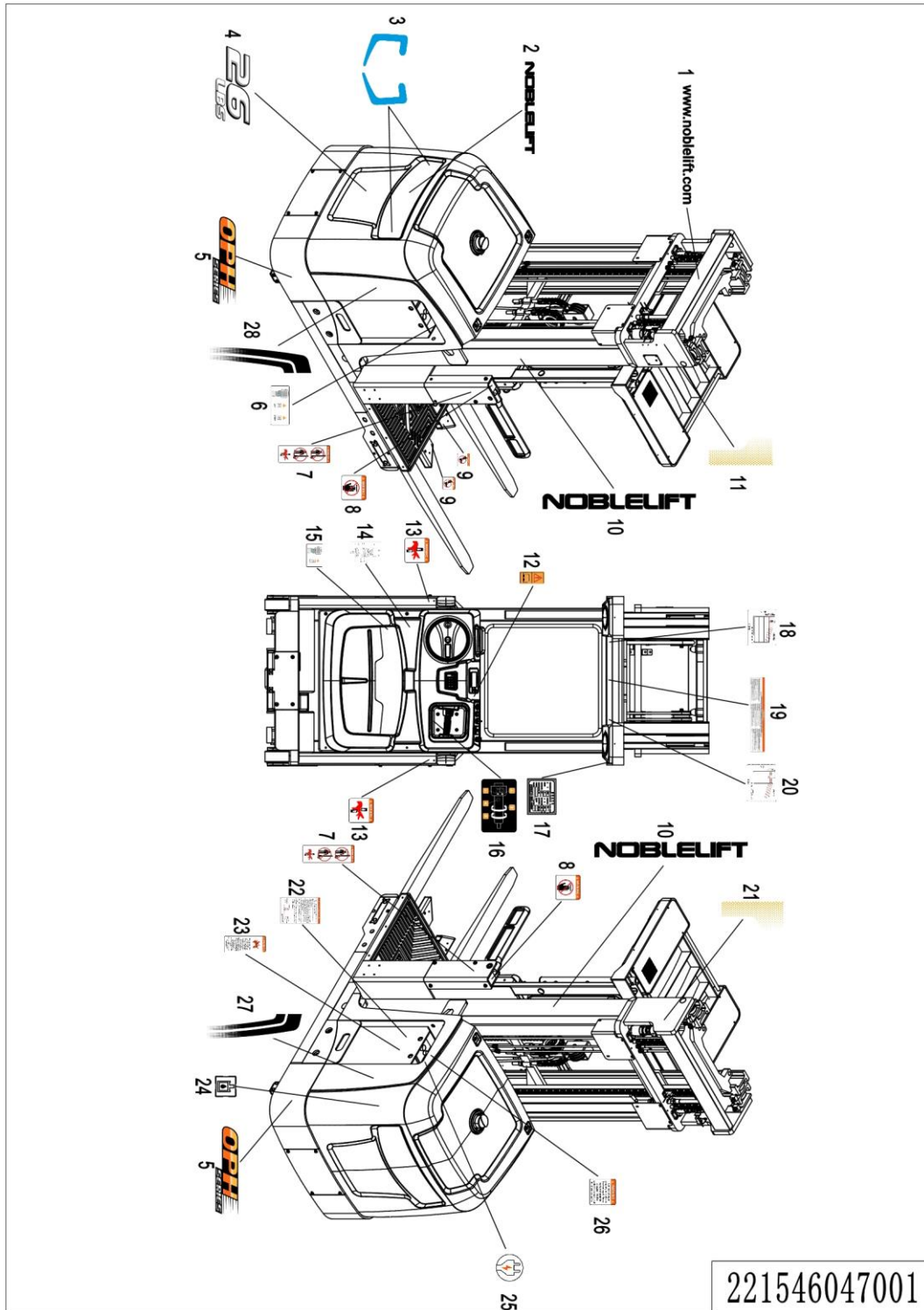
Print Date:

09 Battery(221546037002)Li

No.	Item Code	Mark	Item Description	Qty.	Substitute	Note
1	920600100669		Battery 24V1000Ah	1		

Chapter 8: Others

01 Label(221546047001)



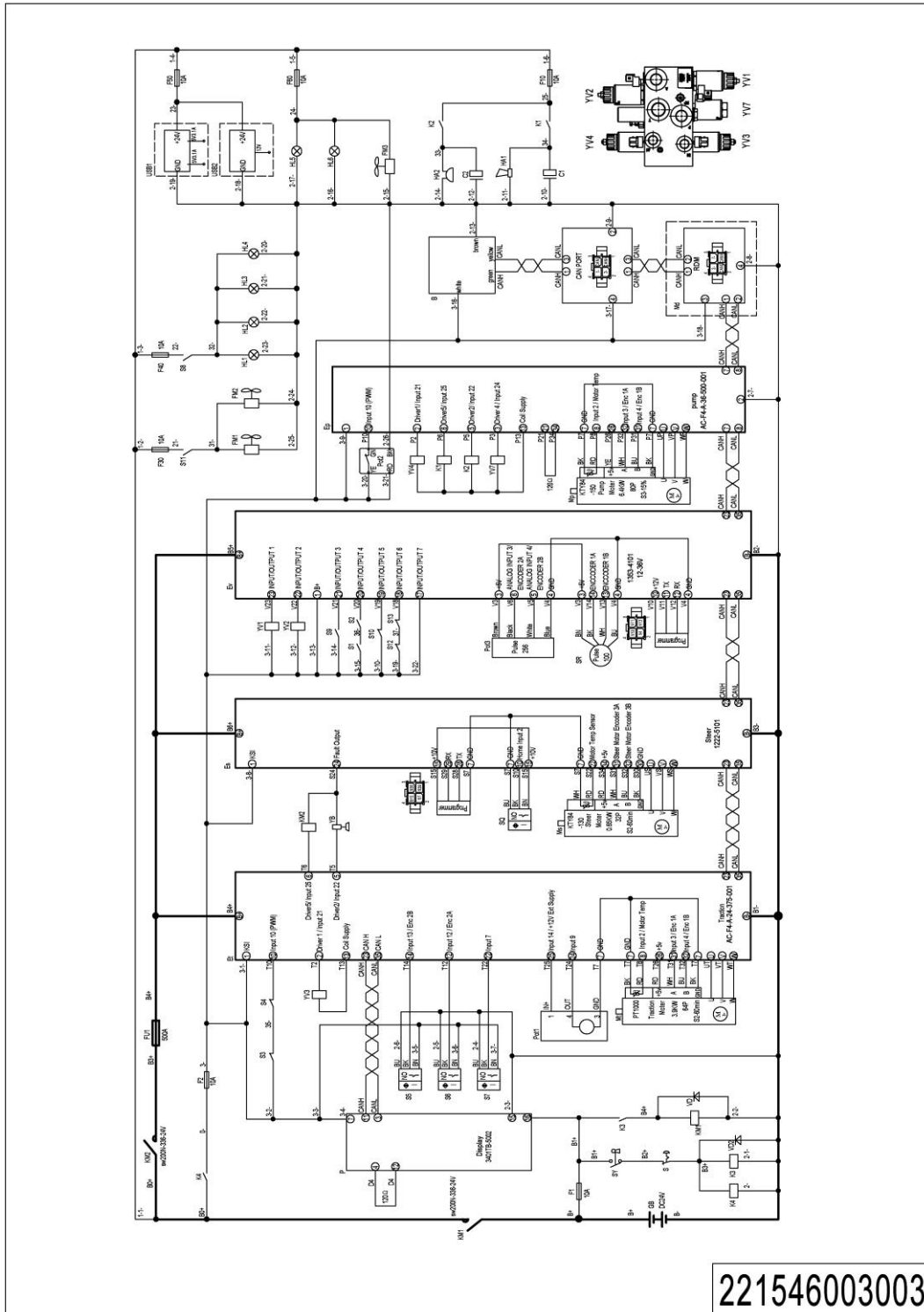
1= Supply as package. 2= Supply with constraints. 3= Phasing-out supply. 4= Supply as assembly. 5= Check other tables.

04 Label(221546047001)

No.	Item Code	Mark	Item Description	Qty.	Substitute	Note
1	214547020014		Company website diagram	1		
2	221547020000		NOBLELIFT	1		
3	221547020001		Label	1		
4	221547020002		Label (26Lbs)	1		
5	221547020003		OPH Label	2		
6	221547020004		Label, Debugging	1		
7	214547020004		Label	2		
8	214547020005		Label	2		
9	221547020005		Label	2		
10	214547020003		Label	2		
11	221547020006		Label	1		
12	214547020012		Label	1		
13	214547020022		Label	2		
14	221547020007		Label,Lubrication	1		
15	221547020008		Label, Debugging	1		
16	221547020009		Label, operation	1		
17	221547020010		Truck data plate	1		
18	221547020011		Label(Kg)	1		OPH12
18	221547020012		Label(In)	1		OPH12
19	221547020013		Label	1		
20	221547020014		Label(Kg)	1		OPH12K
20	221547020015		Label(In)	1		OPH12K
21	221547020016		Label	1		
22	214547020015		Label	1		
23	214547020016		Label	1		
24	214547020011		Label	1		
25	214547020010		Label	1		
26	214547020009		Label	1		
27	221547020017		Label	1		
28	221547020018		Label	1		

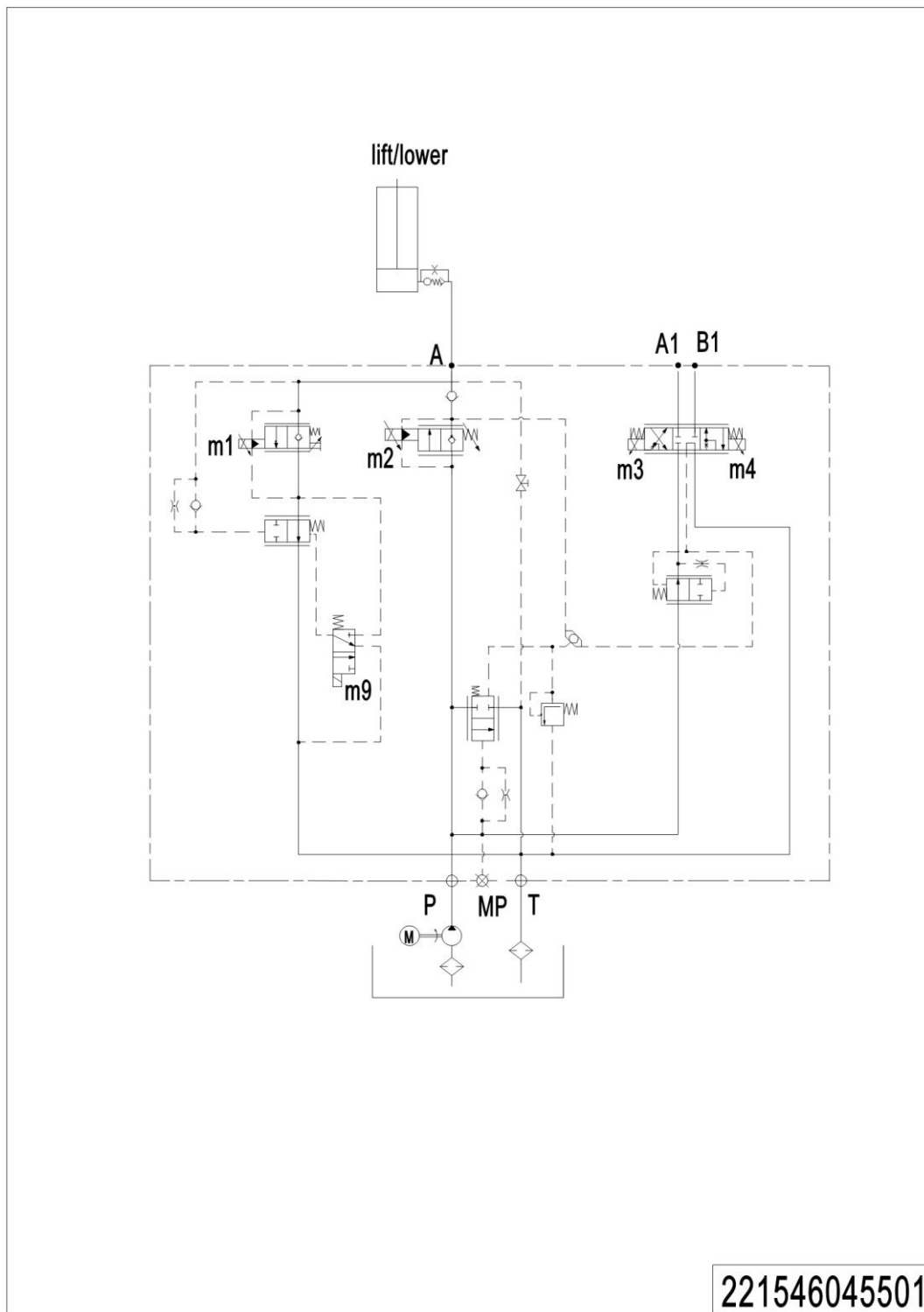
Appendix

01 Electrical Circuit Diagram(F4A)



1= Supply as package. 2= Supply with constraints. 3= Phasing-out supply. 4= Supply as assembly. 5= Check other tables.

02 Hydraulic Circuit Diagram



03 Consumable Parts List

No.	Item Code	Item Description	Qty.	Chapter/ Section/ Number
1	940300400041	Wheel Φ 343x140	1	Chapter 1/01/07
2	940200300054	Compound Roller	6	Chapter 4/01/29 Chapter 5/01/08
2	940200300054	Compound Roller	4	Chapter 5/02/04 Chapter 5/03/16
3	940500200016	Bushing	2	Chapter 4/02/24
4	940500100002	Bushing	2	Chapter 4/02/37
5	212198510002	Seal Kit	2	Chapter 5/01/21.01
6	940200300055	Compound Roller	2	Chapter 5/02/17
7	212198510003	Seal Kit	1	Chapter 5/03/15.01
8	940500400030	Bushing	4	Chapter 6/04/23
9	940300300061	Wheel Φ 152.4x73.2	4	Chapter 6/05/11
10	910700200033	Bearing	8	Chapter 6/05/13
11	920100100014	Fuse	1	Chapter 7/05/02
12	920100200002	Fuse	7	Chapter 7/05/06