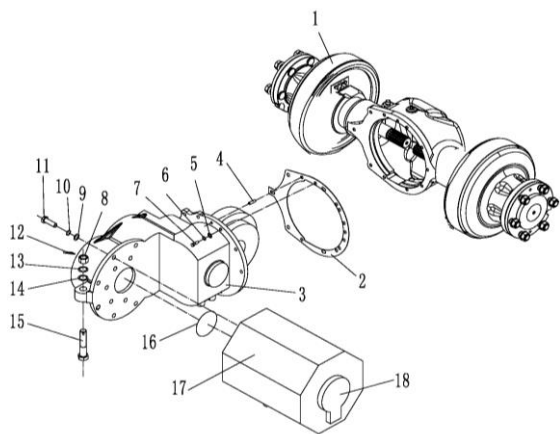
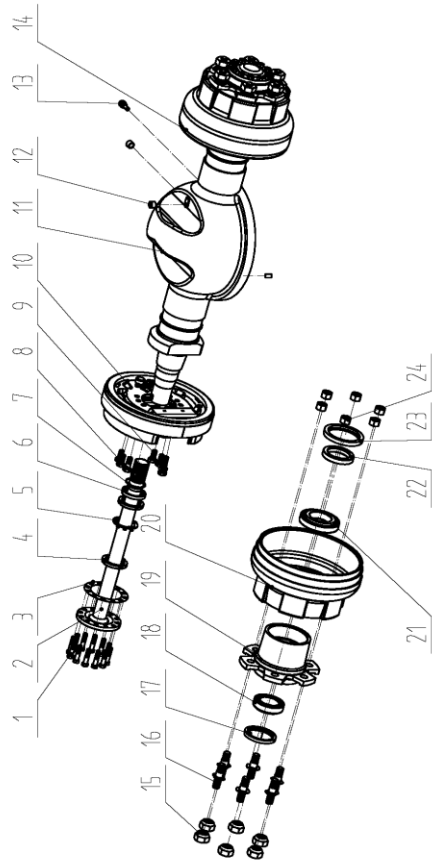


256898501001 驱动系统/DRIVE SYSTEM



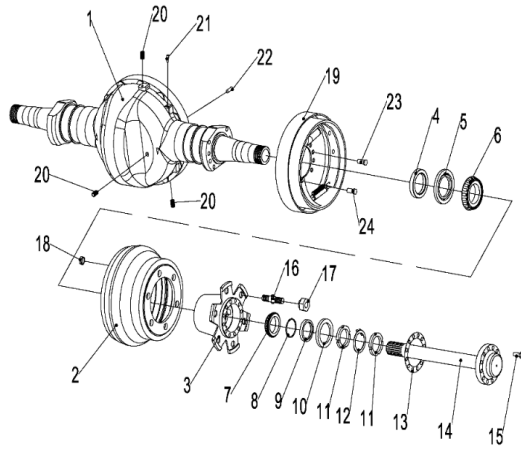
序号/NO	编码/SN	名称	Name	数量/QTY	备注/Remark
1	256813515001	驱动桥 (AQ)	Drive axle(AQ)	1	3.0-3.5T
1	256713515001	驱动桥 (AQ)	Drive axle(AQ)	1	2.5-2.8T
1	256813511001	驱动桥 (KD)	Drive axle(KD)	1	3.0-3.5T
1	256713511001	驱动桥 (KD)	Drive axle(KD)	1	2.5-2.8T
2	256814020001	密封垫	Seal washer	1	
3	256814011001	变速箱 (30.14)	Gear box (ZN)	1	25-35GB系列
3	256814011002	变速箱 (ZC)	Gear box (ZC)	1	25-35GB系列/选配
3	256814011003	变速箱 (38.6)	Gear box (ZN)	1	永磁GY系列
3	256814011004	变速箱 (22.8)	Gear box (ZN)	1	永磁GH系列
4	910600100029	圆柱销GB119.2-10x24	Dowel pin GB119.2-10x24	1	
5	910400100008	平垫圈GB97.1-12-200HV	Washer GB97.1-12-200HV	12	
6	910400500008	弹簧垫圈GB93-12	Washer GB93-12	12	
7	941100200006	螺栓M12x1.5x45-12.9	Bolt GB5786-M12x1.5x45-8.8	12	
8	910300900002	螺母GB6178-M20-8	Nut GB6178-M20-8	1	
9	910400100009	平垫圈GB97.1-14-200HV	Washer-GB97.1-14-200HV	5	
10	910400500009	弹簧垫圈GB93-14	Washer GB93-14	5	
11	910100200027	螺栓GB5785-M14x1.5x155-8.8	Bolt GB5785-M14x1.5x155-8.8	5	
12	910600600037	开口销GB91-4x40	Split pin GB91-4x40	1	
13	910400500012	弹簧垫圈GB93-20	Washer GB93-20	9	
14	910400100012	平垫圈GB97.1-20-200HV	Washer GB97.1-20-200HV	1	
15	910100500006	螺栓GB31.1-M20x90-8.8	BoltGB31.1-M20x90-8.8	1	
16	910800100020	O形圈-内90x2.65	O ring 90x2.65	1	
17	920900100124	电机(交流)HPQ11	Motor (HP)	1	25-35GB
17	256832011003	电机(交流)HPQ16	Motor (HP)		25-35GH
17	256832011002	电机(永磁-80V)			25-35GY-80
17	257532011001	电机(永磁-153V)			25-35GY-153
18	255098513251	传感器 (HP)	Sensor(HP)	1	25-35GB/GH

256898501002 驱动桥(3.0-3.5t)-AQ /DRIVE AXLE(3.0-3.5t)-AQ



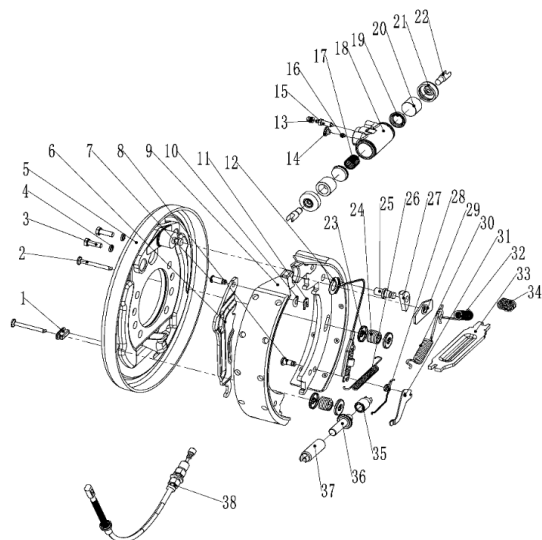
序号/NO	编码/SN	名称	Name	数量/QTY	备注/Remark
1	256998523501	半轴螺栓-24453-02061B		24	3.0-3.5T
2	256998523502	半轴-A22J3-02011		2	3.0-3.5T
3	256998523503	密封垫-A22A3-02031		2	3.0-3.5T
4	256998523504	圆螺母M58X2-25555-00004		4	3.0-3.5T
5	256998523505	止动垫圈58-25555-00006		2	3.0-3.5T
6	256998523506	衬套60X75X10-24453-02121G		2	3.0-3.5T
7	256998523507	O型圈59.6X2.4-2555-00008		2	3.0-3.5T
8	256998523508	制动器螺栓-25953-72001		2	3.0-3.5T
9	256998523509	制动器螺栓-A22A3-02051		4	3.0-3.5T
10	256998523510	右制动器总成-AXQ-Q03E5-1520R		12	3.0-3.5T
11	256998523511	桥壳-A22J3-02021A		1	3.0-3.5T
12	256998523512	螺塞-22193-03001		3	3.0-3.5T
13	256998523513	通气塞总成-90106-65690		1	3.0-3.5T
14	256998523514	左制动器总成1270-24433-70411		1	3.0-3.5T
15	256998523515	轮毂螺母-23913-02041B		12	3.0-3.5T
16	256998523516	轮毂螺栓-25303-02102B		12	3.0-3.5T
17	256998523517	油封75X100X10-25555-00009		2	3.0-3.5T
18	256998523518	圆锥滚子轴承33012		2	3.0-3.5T
19	256998523519	轮毂-25555-00003		2	3.0-3.5T
20	256998523520	制动鼓-24453-02131		2	3.0-3.5T
21	256998523521	圆锥滚子轴承30214		2	3.0-3.5T
22	256998523522	油封挡圈72X100X16-24453-02121G		2	3.0-3.5T
23	256998523523	油封100X125X12-Z6351-01004		2	3.0-3.5T
24	256998523524	螺母M20X1.5-B4223-00020B		12	3.0-3.5T

256898501003 驱动桥(30-35Q) -KD/DRIVE AXLE(30-35Q) -KD



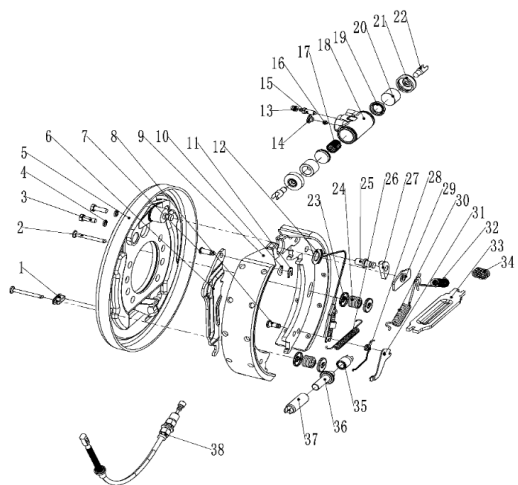
序号/NO	编码/SN	名称	Name	数量/QTY	备注/Remark
1	256898523501	驱动桥壳H-2301101-00	Driving axle housing	1	3.0-3.5T
2	256898523502	制动鼓H-3103103-00	Drum brake	2	3.0-3.5T
3	256898523503	轮毂H-3103101-00	Hub	2	3.0-3.5T
4	256898523504	大油封座圈H-3103102-00	Large oil seal ring	2	3.0-3.5T
5	256898523505	油封100X130X12	Seal ring100x130x12	2	3.0-3.5T
6	256898523506	圆锥滚子轴承30214	Bearing30214	2	3.0-3.5T
7	910700600020	圆锥滚子轴承32012	Bearing32012	2	3.0-3.5T
8	254198523557	O型圈65X3.1	O-ring 65X3.1	2	3.0-3.5T
9	256898523507	小油封座圈H-3103109-00	Small oil seal ring	2	3.0-3.5T
10	254198523555	油封75X100X10	Seal ring 75x100x2	2	3.0-3.5T
11	910300700005	圆螺母M60X2	Round nut M60X2	4	3.0-3.5T
12	910400900013	止动垫圈60	Lock washer60	2	3.0-3.5T
13	256898523508	半轴垫H-2303106-00	Half shaft pad	2	3.0-3.5T
14	256898523509	半轴H-2303101-00	Half shaft	2	3.0-3.5T
15	256898523510	半轴螺栓H-2303107-00	Half shaft bolt	24	3.0-3.5T
16	256898523511	轮毂螺栓H-3103106-00	Hub bolt	12	3.0-3.5T
17	256898523512	轮毂螺母H-3103110-00	Hub nut	12	3.0-3.5T
18	910300200005	六角螺母M20X1.5	Nut M20X1.5	12	3.0-3.5T
19	256898523513	左制动器H-3501100-00	Left brake	1	3.0-3.5T
20	256898523514	右制动器H-3501200-00	Right brake	1	3.0-3.5T
20	256898523515	堵塞ZG1/2 H-1701104-00	Pug ZG1/2	3	3.0-3.5T
21	256898523516	透气塞H-2301301-00	Vent plug	1	3.0-3.5T
22	256898523517	圆柱销	Pin	1	3.0-3.5T
23	256898523518	制动器定位螺栓H-3501301-00	Brake positioning bolt	4	3.0-3.5T
24	256898523519	制动器紧固螺栓H-3501302-00	Brake bolt	12	3.0-3.5T

256898501004 制动器(30-35Q)/LEFT BRAKE(30-35Q)



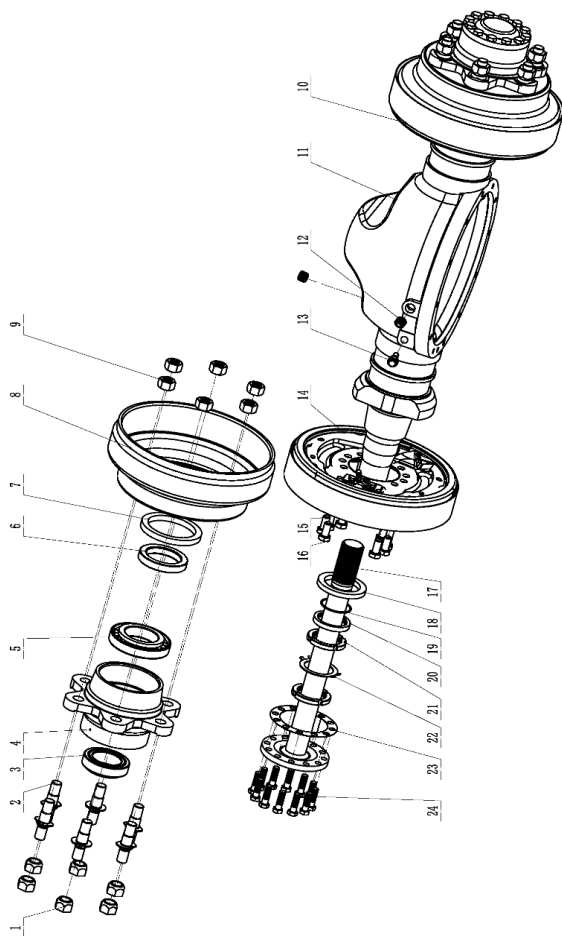
序号/NO	编码/SN	名称	Name	数量/QTY	备注/Remark
1	256898523530	胶堵24433-70040G	Rubber plug 24433-70040G		
2	256898523531	压簧拉杆24433-70010G	Spring tension rod 24433-70010G		
3	256898523532	螺栓M8×1.25×20GB/T5783-2000	Bolt M8 x one point two five x 20GB/T5783-2		
4	910400500005	弹簧垫圈GB93-6	Spring washer GB93-6		
5	256898523533	制动器底板总成(左) 24433-72000G	Brake base plate assembly (left) 24433-7200		左右对称
5	256898523534	制动器底板总成(右)	Brake backing plate assembly (right)		
6	256898523535	手制动拉杆(左) 24433-70140G	Hand brake rod (left) 24433-70140G		左右对称
6	256898523536	手制动拉杆(右)	Hand brake rod (right)		
7	256898523537	销钉2 24433-70150G	Pin 2 24433-70150G		
8	256898523538	销钉1 24433-70110G	Pin 1 24433-70110G		
9	256898523539	制动蹄带摩擦片总(左) 24433-71000G	Brake shoe with friction plate assembly (left)		左右对称
9	256898523540	制动蹄带摩擦片总(右)	Brake shoe with friction plate assembly (right)		
10	256898523541	弹性垫片24433-70160G	Elastic gasket 24433-70160G		
11	256898523542	杆销挡圈24433-70170G	Rod pin retainer 24433-70170G		
12	256898523543	弹簧拉线装置24433-73000G	Spring cable device 24433-73000G		
A	256898523544	制动分泵总成	Brake wheel cylinder assembly		包含13-22
13	▲	分泵放气螺钉帽24433-76100G	Cylinder bleed screw cap 24433-76100G		不单独提供
14	▲	螺纹防护塞24433-76080G	Thread protection plug 24433-76080G		不单独提供
15	▲	分泵放气螺钉24433-76090G	Cylinder bleed screw 24433-76090G		不单独提供
16	▲	制动分泵油塞24433-76070G	Brake wheel cylinder oil plug 24433-76070G		不单独提供
17	▲	分泵弹簧24433-76040G	Cylinder spring 24433-76040G		不单独提供
18	▲	制动分泵缸24433-76010G	Brake wheel cylinder 24433-76010G		不单独提供
19	▲	分泵皮碗24433-76030G	Cylinder cup 24433-76030G		不单独提供
20	▲	分泵活塞24433-76020G	Cylinder piston 24433-76020G		不单独提供
21	▲	分泵护罩24433-76050G	Cylinder shield 24433-76050G		不单独提供
22	▲	分泵活塞顶杆24433-76060G	Cylinder piston rod 24433-76060G		不单独提供
23	256898523545	压簧座24433-70020G	Pressure spring seat 24433-70020G		
24	256898523546	压簧24433-70030G	Compression spring 24433-70030G		
25	256898523547	销钉4 24433-70801	Pin 4 24433-70801		
26	256898523548	拉簧24433-70050G	Tension spring 24433-70050G		
27	256898523549	导向块24433-70080G	Guide block 24433-70080G		

256898501004 制动器(30-35Q)/LEFT BRAKE(30-35Q)



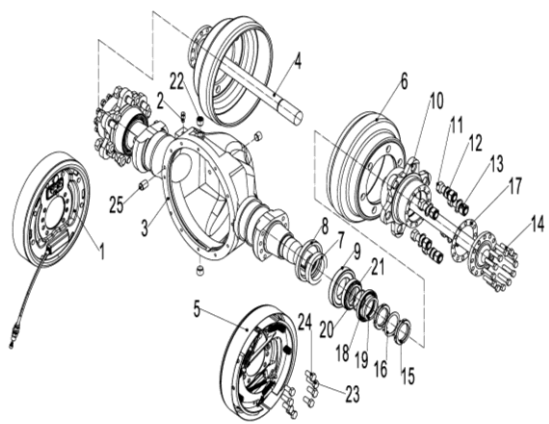
序号/NO	编码/SN	名称	Name	数量/QTY	备注/Remark
28	256898523550	扭簧(左) 24433-70090G	Torsion spring (left) 24433-70090G		左右对称
28	256898523551	扭簧(右)	Torsion spring (right)		
29	256898523552	导向板24433-70060G	Guide plate 24433-70060G		
30	256898523553	回位弹簧(II) 24433-70070G	Return spring (II) 24433-70070G		
31	256898523554	棘爪(左) 24433-70100G	Pawl (left) 24433-70100G		左右对称
31	256898523555	棘爪(右)	Pawl (right)		
32	256898523556	回位弹簧(I) 24433-70010G	Return spring (I) 24433-70010G		
33	256898523557	推杆(左) 24433-70120G	Push rod (left) 24433-70120G		左右对称
33	256898523558	推杆(右)	Push rod (right)		
34	256898523559	推簧24433-70130G	Push spring 24433-70130G		
35	256898523560	间隙调整杆24433-74040G	Clearance adjusting rod 24433-74040G		
36	256898523561	间隙调整螺丝(左) 24433-74020G	Clearance adjusting screw (left) 24433-74020G		左右对称
36	256898523562	间隙调整螺丝(右)	Clearance adjusting screw (right)		
37	256898523563	间隙调整套24433-74010G	Clearance adjusting sleeve 24433-74010G		
38	256898523564	制动钢索总成24433-77010G	Brake cable assembly 24433-77010G		L=1270
38	256898523565	制动钢索总成(右)	Brake cable assembly (right)		R=1790

256898501005 驱动桥(2.5-2.8T)-AQ /DRIVE AXLE(2.5-2.8T)-AQ



序号/NO	编码/SN	名称	Name	数量/QTY	备注/Remark
1	256798524501	锥螺母-24354-32311B		12	2.5-2.8T
2	256798524502	柱螺栓-24353-72001B		12	2.5-2.8T
3	256998523518	轴承33012		2	2.5-2.8T
4	256798524503	轮毂-A20A3-02011JXX		2	2.5-2.8T
5	256998523521	轴承30214		2	2.5-2.8T
6	256998523522	油封挡圈-24453-02121G		2	2.5-2.8T
7	256998523523	油封100X1125X12-Z6351-01004		2	2.5-2.8T
8	256798524504	制动毂-22673-02031		2	2.5-2.8T
9	256998523524	螺母M20X1.5-B4223-00020B		12	2.5-2.8T
10	256798524505	右制动器总成REF00056R		1	2.5-2.8T
11	256798524506	驱动桥壳-啊2哎-02041A		1	2.5-2.8T
12	256998523512	堵塞-22193-03001		3	2.5-2.8T
13	256998523513	通气塞总成-90106-65690		1	2.5-2.8T
14	256798524506	左制动器总成REF00056L		1	2.5-2.8T
15	256998523508	螺栓M14X1.5X38-25953-72001		4	2.5-2.8T
16	256998523509	螺栓M14X1.5X30-A22A3-02051		12	2.5-2.8T
17	256798524507	半轴-A20A3-02051		2	2.5-2.8T
18	256998523517	油封75X100X10-25555-00008		2	2.5-2.8T
19	256998523507	O型圈59.6X2.4		2	2.5-2.8T
20	256998523506	衬套-25555-00007		2	2.5-2.8T
21	256998523504	圆螺母M58X2-25555-00004		4	2.5-2.8T
22	256998523505	止退垫圈58-25555-00006		2	2.5-2.8T
23	256998523503	半轴垫-A22A3-02031		2	2.5-2.8T
24	256998523501	半轴螺栓-24453-02061B		24	2.5-2.8T

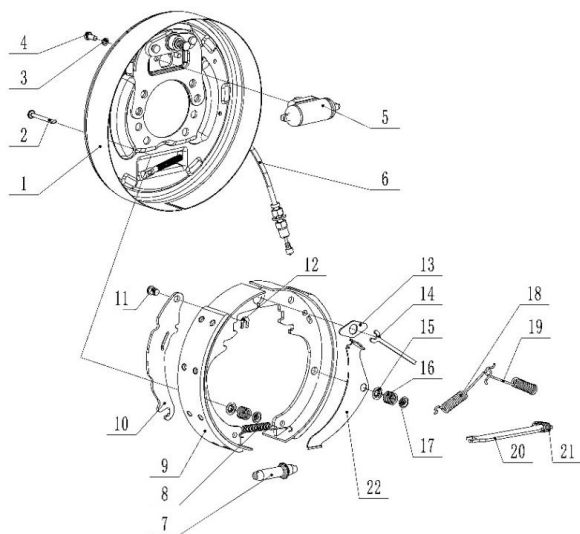
256898501006 驱动桥(25-28Q)-KD/DRIVE AXLE(25-28Q)-KD



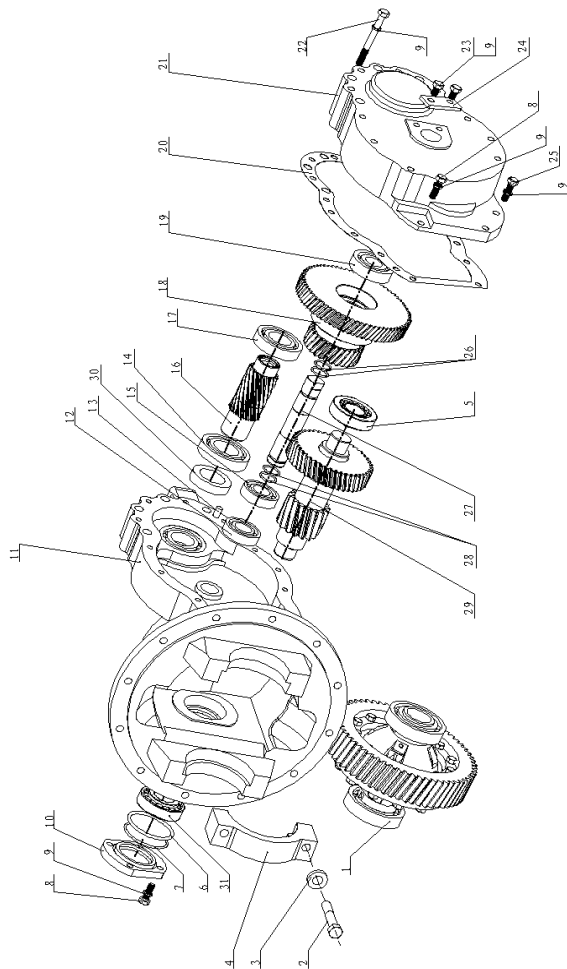
序号/NO	编码/SN	名称	Name	数量/QTY	备注/Remark
1	256798523501	左制动器G-3501100-00	Left brake	1	2.5-2.8T
2	256898523516	透气塞H-2301301-00	Vent plug	1	2.5-2.8T
3	256798523502	驱动桥壳G-2301101-04	Driving axle housing	1	2.5-2.8T
4	256798523503	半轴G-2303101-04	Half shaft	2	2.5-2.8T
5	256798523504	右制动器G-3501200-00	Right brake	1	2.5-2.8T
6	256798523505	制动鼓G-3103103-00	Drum brake	2	2.5-2.8T
7	256898523504	大油封座圈H-3103102-00	Large oil seal ring	2	2.5-2.8T
8	256898523505	油封100X130X12	Seal ring100x130x12	2	2.5-2.8T
9	256898523506	圆锥滚子轴承30214	Bearing30214	2	2.5-2.8T
10	256798523506	轮毂G-3103101-04	Hub	2	2.5-2.8T
11	910300200005	六角螺母M20X1.5	Nut M20X1.5	12	2.5-2.8T
12	256798523507	轮毂螺栓G-3103106-00	Hub bolt	12	2.5-2.8T
13	256798523508	轮毂螺母G-3103110-04	Hub nut	12	2.5-2.8T
14	256898523510	半轴螺栓H-2303107-00	Half shaft bolt	24	2.5-2.8T
15	910300700005	圆螺母M60X2	Round nut M60X2	4	2.5-2.8T
16	910400900013	止动垫圈60	Lock washer60	2	2.5-2.8T
17	256798523509	半轴垫G-2303106-00	Half shaft pad	2	2.5-2.8T
18	254198523555	油封75X100X10	Seal ring 75x100x2	2	2.5-2.8T
19	256898523507	小油封座圈H-3103109-00	Small oil seal ring	2	2.5-2.8T
20	254198523557	O型圈65X3.1	O-ring 65X3.1	2	2.5-2.8T
21	910700600020	圆锥滚子轴承32012	Bearing32012	2	2.5-2.8T
22	256898523515	堵塞ZG1/2 H-1701104-00	Pug ZG1/2	3	2.5-2.8T
23	256898523518	制动器定位螺栓H-3501301-00	Brake positioning bolt	4	2.5-2.8T
24	256898523519	制动器紧固螺栓H-3501302-00	Brake bolt	12	2.5-2.8T
25	256898523517	圆柱销	Pin	1	2.5-2.8T
26	256798523509	主减密封垫H-23022101	Main reduction gasket	1	2.5-2.8T

256898501007 制动器 (25-28Q) /LEFT BRAKE (25-28Q)

序号/NO	编码/SN	名称	Name	数量/QTY	备注/Remark
1	256798523530	左制动器底板总成23653-730111*L	Brake base plate assembly 23653-73011	1	左制动器L
1	256798523531	右制动器底板总成23653-730111*R	Brake backing plate assembly (right)	1	右制动器R
2	256798523532	压簧拉杆23653-72101	Spring tension rod 23653-72101	4	
3	910400500018	弹簧垫圈GB93-6	Spring washer GB93-6	2	
4	910100300020	螺栓GB5782-M8x16	Bolt GB5782-M8x16	2	
5	256798523533	制动分泵总成22373-72041*L	Brake wheel cylinder assembly 22373-72041	1	左制动器L
5	256798523554	制动分泵总成22373-72041*R	Brake wheel cylinder assembly 22373-72041	1	右制动器R
6	256798523534	左钢索总成0C11246-14603*L	Brake cable assembly OC11246-14603	1	左制动器L
6	256798523535	右钢索总成0C11246-24603*R	Brake cable assembly right OC11246-24603	1	右制动器R
7	256798523536	间隙调整器23653-72041	Clearance adjuster 23653-72041	1	
8	256798523537	弹簧23653-72051	Spring 23653-72051	1	
9	256798523538	左摩擦片总成23653-73021*L	Friction plate assembly 23653-73021	2	左制动器L
9	256798523539	右摩擦片总成23653-73021*R	Friction plate assembly (right)	1	右制动器R
10	256798523540	左手制动拉杆23653-72071C*L	Hand brake rod 23653-72071C	1	左制动器L
10	256798523541	右手制动拉杆23653-72071C*R	Hand brake rod (right)	1	右制动器R
11	256798523542	支撑销22673-72231	Support pin 22673-72231	1	
12	256798523543	弹性垫片24433-70160G	Elastic gasket 24433-70160G	1	
13	256798523544	垫片23653-72131	Gasket 23653-72131	1	
14	256798523545	顶杆23653-72161	Push rod 23653-7261	1	
15	256798523546	压簧座23653-72121	Pressure spring seat 23653-72121	4	
16	256798523547	弹簧23653-72091	Spring 23653-72091	4	
17	256798523548	压簧盖23653-72111	Spring compression cover 23653-72111	4	
18	256798523549	回位弹簧23673-72261	Return spring 23673-72261	1	
19	256798523550	拉簧2353-72171	Tension spring 2353-72171	1	
20	256798523551	手制动推杆23653-72081	Hand brake push rod 23653-72081	1	
21	256798523553	压缩弹簧23673-72391	Compression spring 23673-72391	1	
22	256798523555	调整杠杠左23653-72151*L	Lever-left	1	左制动器L
22	256798523556	调整杠杠右23653-72151*R	Lever-right	1	右制动器R



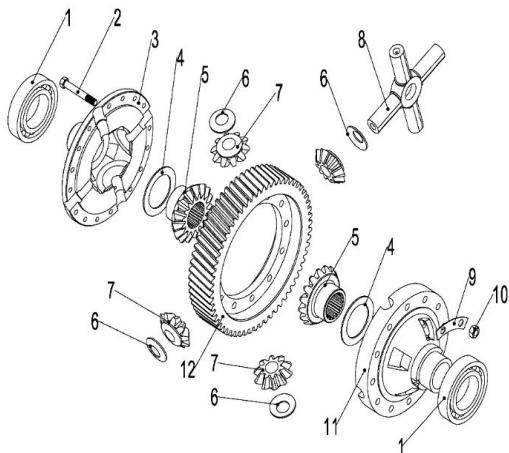
256898501008 变速箱(ZN) / GEARBOX(ZN)



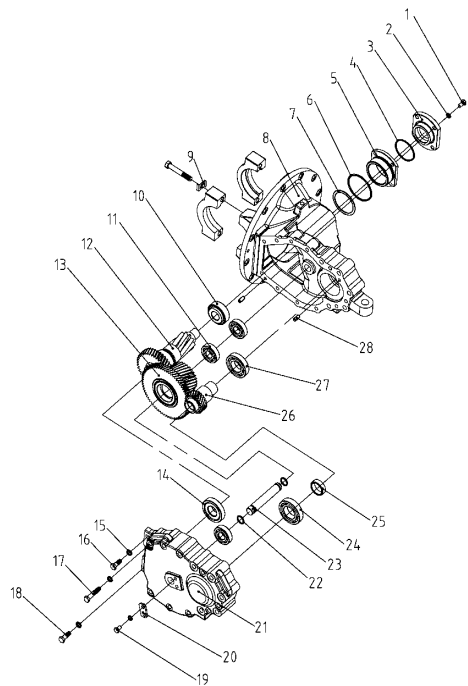
序号/NO	编码/SN	名称	Name	数量/QTY	备注/Remark
1	256898514001	差速器总成HDCS35IIIA.901	Differential assembly HDCS35IIIA.901	1	25-35GB/GH
1	256998514002	差速器总成HDCS35IIID.901	Differential assembly HDCS35IIID.901	1	25-35GY
2	256898524001	螺栓YDS30.089	Bolt YDS30.089	4	
3	256898524002	重型弹簧垫圈GB/T244-14	Heavy-duty spring washer	4	
4	256898524003	轴承座YDS30.072	bearing pedestal YDS30.072	2	
5	255098524023	圆锥滚子轴承32207	Bearing 32207	2	
5	256998524023	圆锥滚子轴承33207	Bearing 33207	2	
6	256898524004	调整垫YDS30.090	Adjustable pad YDS30.090	3/4	25-35GB/GH
6	256998524004	调整垫YJS25.007	Adjustable pad YJS25.007	3/4	25-35GY
7	256898524005	O形圈73×3.1 GB1235	O-ring 73x3.1 GB1235	1	25-35GB/GH
7	256998524005	O形圈85×3.55 GB3452.1	O-ring 85x3.55 GB3452.1	1	25-35GY
8	910100300036	六角头螺栓GB5783-M10×25	Bolt GB5783-M10x25	5	
9	910400500007	标准型弹簧垫圈GB93-10	Spring Washer GB93-10	19	
10	256898524006	轴承盖YDS30.168	Bearing cap YDS30.168	1	25-35GB/GH
10	256998524006	轴承盖HDCS35III-YQ.009	Bearing cap HDCS35III-YQ.009	1	25-35GY
11	256898524007	箱体HDCS35IIIA.001G1	Box HDCS35IIIA.001G1	1	25-35GB/GH
11	256998524007	箱体HDCS35III-YQ.001	Box HDCS35IIIA.001	1	25-35GY
12	910700200021	深沟球轴承GB/T276-6206	Bearing GB/T276-6206	1	
13	255098526008	圆柱销GB/T119.1-10×20	Pin GB/T119.1-10x20	2	
14	910700200023	深沟球轴承GB/T276-6208	Bearing GB/T276-6208	1	
15	256898524008	圆柱滚子轴承GB/T283-NJ2206E	Bearing GB/T283-NJ2206E	1	
16	256898524009	输入轴HDCS35IIIA.802G1	Input axis HDCS35IIIA.802G1	1	25-35GB
16	256898524027	输入轴HDCS35IIIB.802	Input axis HDCS35IIIA.802	1	25-35GH
16	256998524027	输入轴HDCS35III-YQ.802	Input axis HDCS35IIIA.802	1	25-35GY
17	910700200024	深沟球轴承GB/T276-6209	Bearing GB/T276-6209	1	25-35GB/GH
	256998524030	深沟球轴承GB/T276-6309	Bearing GB/T276-6309	1	25-35GY
18	256898524010	双联齿轮组件HDCS35IIIA.803	Double gear assembly HDCS35IIIA.803	1	25-35GB
18	256898524028	双联齿轮组件HDCS35IIIB.803	Double gear assembly HDCS35IIIB.803	1	25-35GH
	256998524028	双联齿轮组件HDCS35III-YQ.803	Double gear assembly HDCS35III-YQ.803	1	25-35GY
19	910700200033	深沟球轴承6307 GB/T 276	Bearing 6307 GB/T 276	1	
20	256898524011	箱体箱盖结合面纸垫HDCS35IIIA.010	Paper pad HDCS35IIIA.010	1	

256898501009 差速器 (ZN)/DIFFERENTIAL MECHANISM (ZN)

序号/NO	编码/SN	名称	Name	数量/QTY	备注/Remark
1	256898524016	深沟球轴承6213 GB/T 276	Bearing 6213 GB/T 276	2	
2	256898524017	螺栓HDCS35IIIA.012	Bolt HDCS35IIIA.012	16	
3	256898524018	右差速器壳HDCS35IIIA.011	Right differential housing HDCS35IIIA.011	1	
4	256898524019	垫圈YDS30.079S	Washer YDS30.079S	2/3×2	
5	256898524020	半轴齿轮YDS30.085	axle shaft gear YDS30.085	2	
6	256898524021	止推垫圈YDS30.084	Thrust washer YDS30.084	4	
7	256898524022	行星齿轮YDS30.083	Planetary gear YDS30.083	4	
8	256898524023	十字轴14453-52101A	Universal joint pin 14453-52101A	1	
9	256898524024	锁片HDCS35IIIA.014	Locking plate HDCS35IIIA.014	8	
10	910300200003	六角螺母GB/T6171-M12×1.25	Nut GB/T6171-M12×1.25	16	
11	256898524025	左差速器壳HDCS35IIIA.013	Left differential housing HDCS35IIIA.013	1	
12	256898524026	齿圈HDCS35IIIA.008	Gear ring HDCS35IIIA.008	1	25-35GB/GH
12		齿圈HDCS35III-YQ1.008	Gear ring HDCS35III-YQ1.008	1	25-35GY

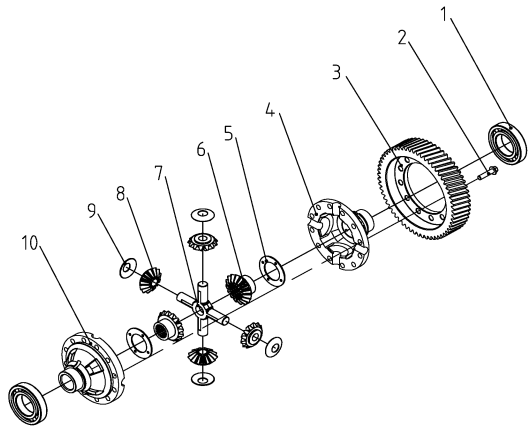


256898501010 变速箱 (ZC) /GEARBOX (ZC)



序号/NO	编码/SN	名称	Name	数量/QTY	备注/Remark
1	910100300036	螺栓M10×25	Bolt M10x25	4	25-35GB选装
2	910400500007	弹簧垫圈10	Spring washer 10	20	25-35GB选装
3	255098524050	轴承盖Y30H-09001	Bearing cap Y30H-09001	1	25-35GB选装
4	910800100032	O型圈75×3.1	O-ring 75x3.1	1	25-35GB选装
5	255098524051	齿轴垫片Y30H-09002A	Gear shaft gasket Y30H-09002A	AR	25-35GB选装
5	255098524052	齿轴垫片Y30H-09002B	Gear shaft gasket Y30H-09002B	AR	25-35GB选装
5	255098524053	齿轴垫片Y30H-09002C	Gear shaft gasket Y30H-09002C	AR	25-35GB选装
5	255098524054	齿轴垫片Y30H-09002D	Gear shaft gasketY30H-09002D	AR	25-35GB选装
6	255098524055	箱体组件HDCSB30-01200	Body components HDCSB30-01200	1	25-35GB选装
7	255098524056	轴承座锁片YQX25-01008	Lock plate of bearing seat YQX25-01008	4	25-35GB选装
8	255098524023	圆锥滚子轴承32207	Bearing 32207	2	25-35GB选装
9	910700200021	深沟球轴承6206	Bearing 6206	2	25-35GB选装
10	255098524057	齿轴HDCSB30-04000-1	Axis HDCSB30-04000-1	1	25-35GB选装
11	255098524058	双联齿轮HDCSB30-03000-1	Duplicate gear HDCSB30-03000-1	1	25-35GB选装
12	910100300039	螺栓 M10X40	Bolt M10X40	2	25-35GB选装
13	910100100125	螺栓 M10X100	Bolt M10X100	12	25-35GB选装
14	910100300034	螺栓 M10X16	Bolt M10X16	2	25-35GB选装
15	255098524059	挡块HDCS25-03001	Link stopper HDCS25-03001	1	25-35GB选装
16	255098524060	箱盖HDCSB30-01002	Case cover HDCSB30-01002	1	25-35GB选装
17	255098524042	深沟球轴承6306	Bearing 6306	1	25-35GB选装
18	255098524010	O型圈 25X2.65	O-ring 25X2.65	2	25-35GB选装
19	255098524061	轴HDCSB30-03003	Axis HDCSB30-03003	1	25-35GB选装
20	910700200023	深沟球轴承 6208	Bearing 6208	1	25-35GB选装
21	255098524062	密封盖HDCSB30-02002	Seal cover HDCSB30-02002	2	25-35GB选装
22	255098524063	输入轴HDCSB30-02001-1	Input axis HDCSB30-02001-1	1	25-35GB选装
23	910700200024	深沟球轴承 6209	Bearing 6209	1	25-35GB选装
24	910600100029	圆柱销10X24	Pin 10X24	2	25-35GB选装

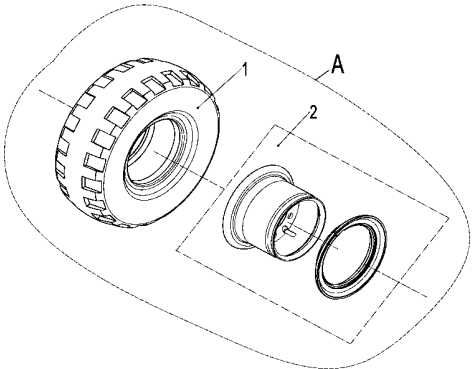
256898501011 差速器(ZC)/DIFFERENTIAL MECHANISM(ZC)



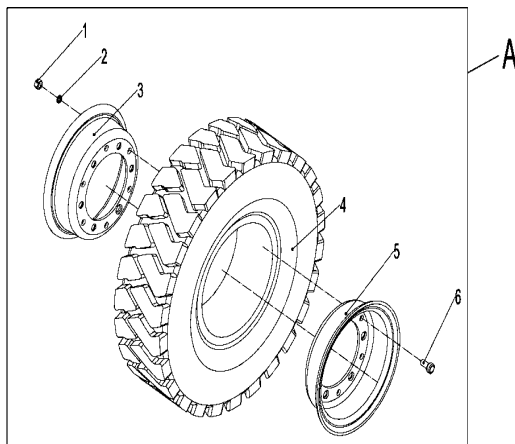
序号/NO	编码/SN	名称	Name	数量/QTY	备注/Remark
1	256898525018	深沟球轴承 6213GB/T 276	Bearing 6213GB/T 276	2	25-35GB选装
2	256898525019	法兰面螺栓 M14*1.5*60GB/T 16674.2	Bolt M14*1.5*60GB/T 16674.2	12	25-35GB选装
3	256898525020	齿圈HDCS30-05001	Gear ringHDCS30-05001	1	25-35GB选装
4	256898525021	右差速器壳HDCS30-05003	Right differential housing HDCS30-05003	1	25-35GB选装
5	256898525022	半轴垫圈Y30H-10006	Half shaft washerY30H-10006	2	25-35GB选装
6	256898525023	半轴齿轮Y30H-10007	Axle shaft gearY30H-10007	2	25-35GB选装
7	256898525024	十字轴Y30H-10003	Universal joint pin Y30H-10003	1	25-35GB选装
8	256898525025	行星齿轮Y30H-10005	Planetary gear Y30H-10005	4	25-35GB选装
9	256898525026	行星垫圈Y30H-10004	Planetary washer Y30H-10004	4	25-35GB选装
10	256898525027	左差速器壳HDCS30-05002	Left differential housingHDCS30-05002	1	25-35GB选装

256898501012 前轮总成(3.0-3.5t)/WHEEL ASSEMBLY(3.0-3.5t)

序号/NO	编码/SN	名称	Name	数量/QTY	备注/Remark
A	256813010001	轮胎总成28X9-15-14PR(充气)	Tire assembly 28X9-15-14PR(pneumatic)	2	
	256813010002	轮胎总成28X9-15(实心)	Tire assembly 28X9-15(soild)	2	选装/Optional
	256813010003	轮胎总成28X9-15(环保)	Tire assembly 28X9-15(environmentally)	2	选装/Optional
1	256813011002	轮胎28X9-15-14PR(充气)	Tire 28X9-15-14PR(pneumatic)	2	
	256813012002	轮胎28X9-15(实心)	Tire 28X9-15(soild)	2	选装/Optional
	256813012003	轮胎28X9-15(环保)	Tire 28X9-15(environmentally)	2	选装/Optional
2	910300200003	轮辋总成(7.00T-15)	Rim assembly(7.00T-15)	2	

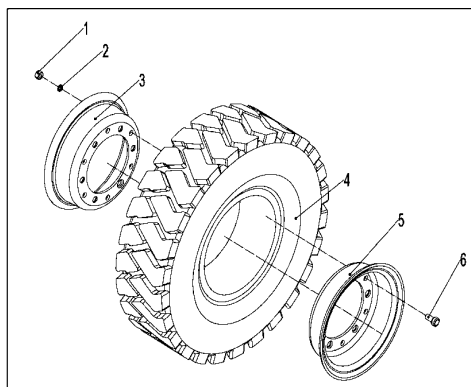


256898501013 前轮总成(2.5-2.8t)/WHEEL ASSEMBLY (2.5-2.8t)



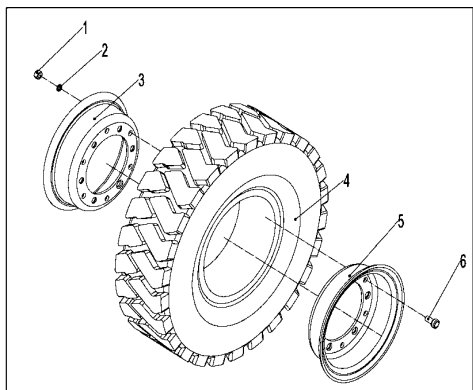
序号/NO	编码/SN	名称	Name	数量/QTY	备注/Remark
A	256713010008	轮胎总成7.00-12-14PR(充气)	Tire assembly 7.00-12-14PR(pneumatic)	2	2.8t
A	256713010001	驱动轮总成7.00-12-12PR(充气)	Tire assembly 7.00-12-12PR(pneumatic)	2	2.5t
A	256713010002	轮胎总成70-10(实心)	Tire assembly 7.00-10(soild)	2	2.5-2.8t/选装
A	256713010003	轮胎总成7.00-10(环保)	Tire assembly 7.000-10(environmentally)	2	2.5-2.8t/选装
1	910300100010	螺母GB6170-M16-10	Nut GB6170-M16-10	16	
2	910400500010	弹簧垫圈GB93-16	Spring washerGB93-16	16	
3	256713021001	内轮辋5.00S-12	Inner rim 5.00S-12	2	
4	256713018001	轮胎7.00-10-14PR(充气)	Tire 7.00-10-14PR(pneumatic)	2	2.5-2.8t/选装
4	256713012001	轮胎7.00-12-12PR(充气)	Tire 7.00-10-12PR(pneumatic)	2	
4	256713012002	轮胎7.00-10(实心)	Tire 7.00-10(solid)	2	2.5-2.8t/选装
4	256713012003	轮胎7.00-10(环保)	Tire 7.00-10(environmentally)	2	2.5-2.8t/选装
5	256713021002	外轮辋5.00S-12	Outer rim 5.00S-12	2	
6	256713021003	轮辋螺栓(M16)	Rim bolt M16	16	

256898501014 后轮总成(3.0-3.5t)/WHEEL ASSEMBLY(3.0-3.5t)



序号/NO	编码/SN	名称	Name	数量/QTY	备注/Remark
A	256815510001	轮胎总成6.50-10-10PR(充气)	Tire assembly 6.50-10-10PR(pneumatic)	2	
A	256815510002	轮胎总成6.50-10(实心)	Tire assembly 6.50-10(soild)	2	选装/Optional
A	256815510003	轮胎总成6.50-10(环保)	Tire assembly 6.50-10(environmentally)	2	选装/Optional
1	910300200003	螺母GB6171-M12x1.25-10	Nut GB6171-M12x1.25-10	8	
2	910400500008	弹簧垫圈GB93-12	Spring washerGB93-12	8	
3	256815520001	内轮辋6.50F-10	Inner rim 6.50F-10	1	
4	254113010007	轮胎6.50-10-10PR(充气)	Tire 6.50-10-10PR(pneumatic)	1	
4	254113010005	轮胎6.50-10(实心)	Tire 6.50-10(solid)	1	
4	254113010006	轮胎6.50-10(环保)	Tire 6.50-10(environmentally)	1	
5	256815520002	外轮辋6.50F-10	Outer rim6.50F-10	1	
6	255013020001	轮辋螺栓M12x1.25x26	Rim bolt M12x1.25x26	8	

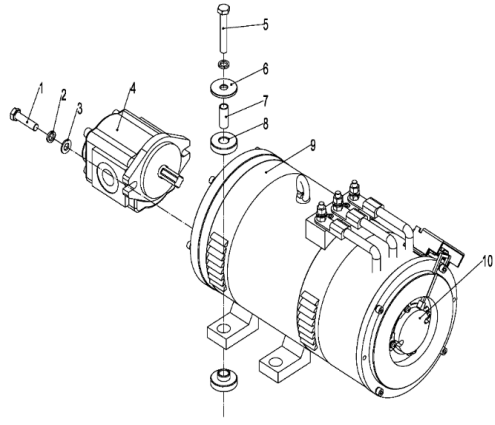
256798501015 后轮总成(2.5-2.8t)/WHEEL ASSEMBLY(2.5-2.8t)



A

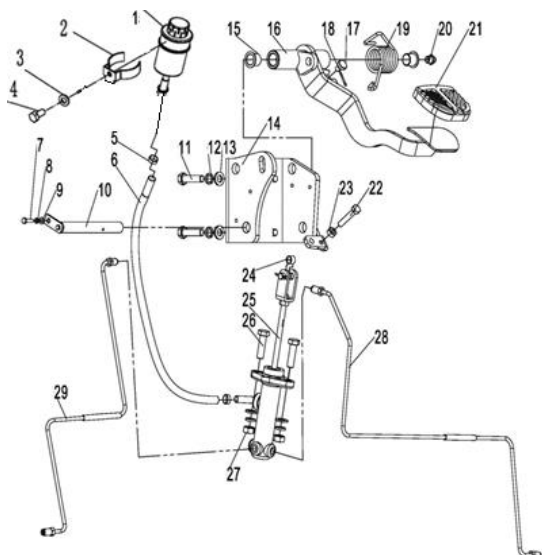
序号/NO	编码/SN	名称	Name	数量/QTY	备注/Remark
A	256715510008	轮胎总成6.00-9-12PR(充气)	Tire assembly 6.00-9-12PR(pneumatic)	2	2.5-2.8t
A	256715510002	轮胎总成6.00-9(实心)	Tire assembly 6.00-9(soild)	2	2.5-2.8t/选装
A	256715510003	轮胎总成6.00-9(环保)	Tire assembly 6.50-10(environmentally)	2	2.5-2.8t/选装
1	910300200003	螺母GB6171-M12x1.25-10	Nut GB6171-M12x1.25-10	8	
2	910400500008	弹簧垫圈GB93-12	Spring washerGB93-12	8	
3	256715521001	内轮辋4.00E-9	Inner rim 4.00E-9	1	
4	256715518001	轮胎6.00-9-12PR(充气)	Tire 6.00-9-10PR(pneumatic)	1	2.5-2.8t
4	256715512002	轮胎6.00-9(实心)	Tire 6.00-9(soild)	1	2.5-2.8t/选装
4	256715512003	轮胎6.00-9(环保)	Tire 6.50-10(environmentally)	1	2.5-2.8t/选装
5	256715521002	外轮辋4.00E-9	Outer rim 4.00E-9	1	
6	255013020001	轮辋螺栓M12x1.25x26	Rim bolt M12x1.25x26	8	

256898501016 起升电机安装/MOTOR INSTALLATION



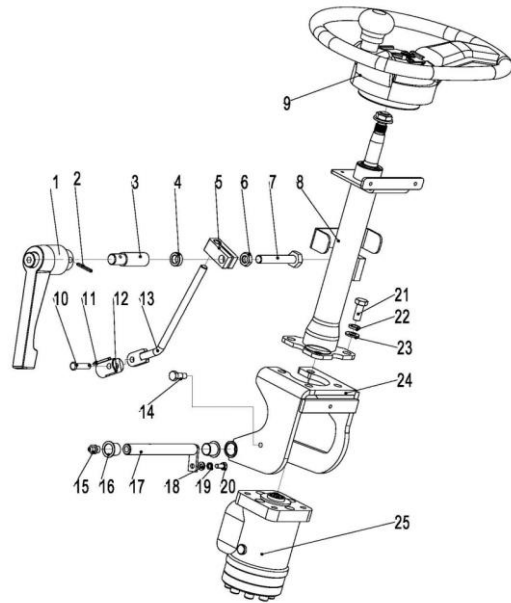
序号/NO	编码/SN	名称	Name	数量/QTY	备注/Remark
1	910100300037	螺栓GB5783-M10x30-8.8	Bolt GB5783 M10x30-8.8	2	
2	910400100007	垫圈 GB97.1-10-200HV	Gasket GB97.1-10-200HV	6	
3	910400500007	弹簧垫圈 GB93-10	Spring washer GB93-10	6	
4	255023512006	齿轮泵	Gear pump	1	25-35GB
4	256823515006	齿轮泵 (10-30)	Gear pump	1	25-28GH
4	256523512006	齿轮泵 (13-30)	Gear pump	1	30-35GH
5	910100100034	螺栓 GB5782-M10x55-8.8	Bolt GB5782 M10x55-8.8	4	
6	255032520002	垫圈 Φ40xΦ11x4	Gasket Φ40xΦ11x4	4	
7	255032520001	衬套 Φ13xΦ10.5x32	Bushing Φ13XΦX10.5x32	4	
8	255032520003	减振垫	Damping pad	8	
9	920900100123	电机(交流)HPB16	Motor (HP)	1	25-35GB
9	256732511001	电机(交流)HPB24	Motor (HP)	1	25-28GH
9	256832511003	电机(交流)HPB26	Motor (HP)	1	30-35GH
10	255098513251	编码器 (HP)	Encoder(HP)	1	25-35GB/GH
9	256832511002	电机(交流)HP11804-H249A-R8C7		1	25-35GY-80
9	257532511001	电机(交流)HP11804-H249A-R8C7 (NL-3.5TB)		1	25-35GY-144

256898501017 行车制动安装/DRIVING BRAKING INSTALLATION



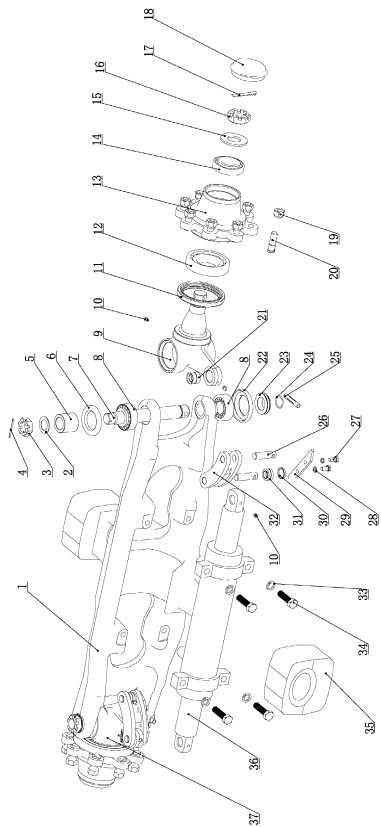
序号/NO	编码/SN	名称	Name	数量/QTY	备注/Remark
1	275011520020	油杯	Grease nipple	1	
2	256811511020	油杯固定环	Bracket	1	
3	910400500007	弹簧垫圈GB93-8	Washer GB93-8	1	
4	910100300020	螺栓GB5783-M8x16-8.8	Bolt GB5783-M8x16-8.8	1	
5	911000600001	喉箍QC/T390-(11-14)	Hose clamp QC/T390-(11-14)	2	
6	255011520021	连接管	Connecting pipe	1	
7	910100300003	螺栓GB5783-M5x12-8.8	Bolt GB5783-M5x12-8.8	1	
8	910400500004	弹簧垫圈GB93-5	Washer GB93-5	1	
9	910400100004	平垫圈GB97.1-5-200HV	Washer GB97.1-5-200HV	1	
10	255011510003	带耳轴Φ16x135	Axle Φ16x135	1	
11	910100300039	螺栓GB5783-M10x40-8.8	Bolt GB5783-M10x40-8.8	4	
12	910400500007	弹簧垫圈GB93-10	Washer GB93-10	6	
13	910400100007	平垫圈GB97.1-10-200HV	Washer GB97.1-10-200HV	6	
14	256811511004	脚制动支架焊合	Foot brake holder welding	1	
15	940500100006	复合套Φ16xΦ18x15-SF-1	Bushing Φ16xΦ18x15-SF-1	2	
16	256811511002	踏板焊合	Pedal weiding	1	
17	255011520010	缓冲垫	Damping pad	1	
18	910600600015	开口销GB91-2x20	Split pin GB91-2x20	1	
19	255011520008	扭簧	Spring	1	
20	911200100004	油杯JB7940.1-M10x1	Grease nipple JB7940.1-M10x1	1	
21	255011520013	踏板(橡胶)	Pedal (rubber)	1	
22	910100100023	螺栓GB5782-M8x45-8.8	Bolt GB5782-M8x45-8.8	1	
23	910300100006	螺母GB6170-M8-10	Nut GB6170-M8-10	1	
24	940500100048	复合套Φ10xΦ12x8-SF-1	Bushing Φ10xΦ12x8-SF-1	1	
25	256811510001	制动泵总成	Brake pump assembly	1	
26	910100300038	螺栓GB5783-M10x35-8.8	Bolt GB5783-M10x35-8.8	2	
27	910300100007	螺母GB6170-M10-10	NutGB6170-M10-10	2	
28	256811511009	右制动钢管	Brake steel pipe welding	1	
29	256811511010	左制动钢管	Brake steel pipe welding	1	

256898501019 转向装置及安装/STEERING GEAR AND INSTALLATION



序号/NO	编码/SN	名称	Name	数量/QTY	备注/Remark
1	255015010007	可调手柄	The adjustable handle	1	
2	910600400011	弹性圆柱销GB879.1-4x30	Elastic cylinder pin GB879.1-4x30	1	
3	255015020025	夹柄螺套	Clamp holder screw sets	1	
4	910400100008	垫圈Φ20xΦ12x8	GasketΦ20XΦ12X8	1	
5	255015020019	锁紧块	Locking block	1	
6	910300300006	螺母GB6172.1-M12-05	Nut GB6172.1-M12-05	1	
7	910100300057	螺栓GB5783-M12x70-8.8	Bolt GB5783 M12x70-8.8	1	
8	255015010001	转向管柱总成	Steering string assembly	1	
9	255015010003	方向盘	The steering wheel	1	
10	910600700014	销轴GB882-6x26x1.6	Pin GB882-6x26x1.6	1	
11	910600600005	开口销GB91-1.6x10	Cotter pin GB91-1.6x10	1	
12	255015020002	固定座	The fixed seat	1	
13	255015010005	调节杆焊合	Adjust rod welding	1	
14	255015020021	调节螺钉	Adjust the screw	1	
15	911200100004	油杯JB7940.1-M10x1	Oil cup JB7940.1-M10x1	1	
16	940500200016	复合套(带肩)Φ16xΦ18x16-SF-1	Composite set (shoulder)Φ16xΦ18x16-SF-1	2	
17	255011510003	带耳轴Φ16x135	With trunnionΦ16x135	1	
18	910400100005	平垫圈GB97.1-6-200HV	WasherGB97.1-6-200HV	1	
19	910400500005	弹簧垫圈GB93-6	Spring washerGB93-6	1	
20	910100300009	螺栓GB5783-M6x12-8.8	Bolt GB5783 M6x12-8.8	1	
21	910100300036	螺栓GB5783-M10x25-8.8	Bolt GB5783 M10x25-8.8	4	
22	910400500007	弹簧垫圈GB93-10	Spring washer gb93-10	4	
23	910400100007	平垫圈GB97.1-10-200HV	Washer GB97.1-10-200HV	4	
24	255015010004	支架焊合	Bracket welded	1	
25	255015010012	转向器SCU51/100-FS	Steering SCU51/100-FS	1	

256898501020 转向桥及安装-AQ/STEERING BRIDGE AND INSTALLATION-AQ

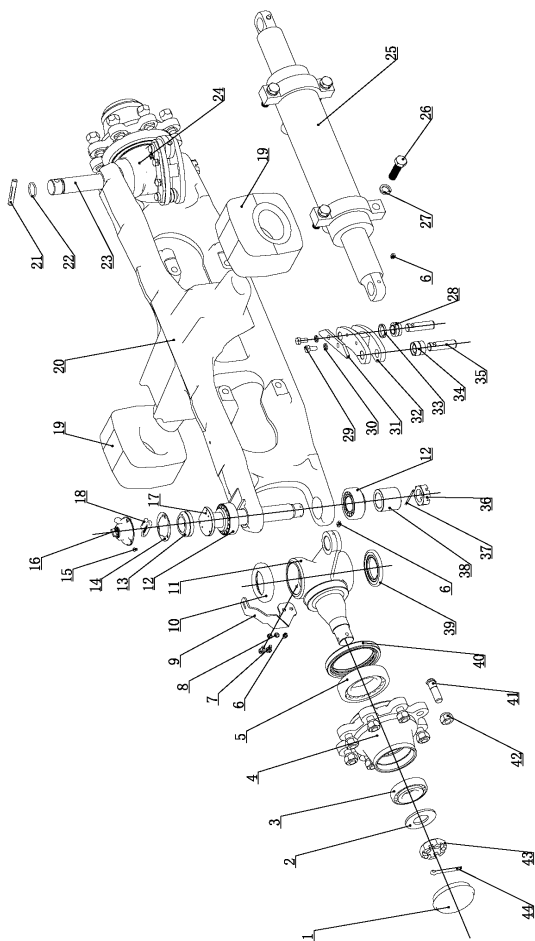


序号/NO	编码/SN	名称	Name	数量/QTY	备注/Remark
A	256816015001	3.5T转向桥 (安庆)	3.5T steering axle-AQ	1	
1	256998526001	铸造转向桥体Z03M2-10200MKSA	Cast steering axle Z03M2-10200MKSA	1	
2	256998526002	调整垫25.5X40X1	Adjustment pad 25.5X40X1	2	
3	256998526003	开槽螺母249289	Slotted nut 249289	2	
4	910600600032	开口销3.2x40	Pin 3.2x40	2	
5	256998526005	衬套G27Z4-33071	Bush G27Z4-33071	2	
6	256998526006	油封G27Z4-33201	Oil seal G27Z4-33201	2	
7	256998526007	主销G27Z4-33031	Kingpin G27Z4-33031	2	
8	256898526011	圆锥滚子轴承33206	Bearing 33206	4	
9	256998526008	左转向节总成G27Z4-33311QT	Left turn joint assembly G27Z4-33311QT	1	
10	256998526009	直通式油嘴M6(Q700B06)	Straight through nozzle M6(Q700B06)	6	
11	256998526010	U型密封圈B85X110X12D(Z6031-08524)	U-shaped sealing ring B85X110X12D(Z6031)	2	
12	256998526011	圆锥滚子轴承30211	Bearing 30211	2	
13	256998526012	轮毂A21B4-32241	Hub A21B4-32241	2	
14	910700600003	圆锥滚子轴承30207	Bearing 30207	2	
15	256998526013	垫圈G27Z4-30711	Gasket G27Z4-30711	2	
16	256998526014	开槽螺母M30X2(A21B4-32311)	Slotted nut M30X2(A21B4-32311)	2	
17	910600600042	销6.3X50	Pin 6.3X50	2	
18	256998526015	轮毂盖(1218-10200)	Hub cap (1218-10200)	2	
19	256998526016	轮毂螺母23654-34051B	Hub nut 23654-34051B	16	
20	256998526017	轮毂螺栓23654-32041B	Hub bolt 23654-32041B	16	
21	256998526018	向心关节轴承Z-GE16ES-K27	Radial joint bearing Z-GE16ES-K27	2	
22	256998526019	油封264973	Oil seal 264973	2	
23	256998526020	隔套Z03M2-33051	Spacer sleeve Z03M2-33051	2	
24	255098524010	O型密封圈25X2.65(Z6053-02502)	O-ring 25X2.65(Z6053-02502)	2	
25	256998526021	槽销9.5X57(226986B)	Slot Pin 9.5X57(226986B)	2	
26	256998526022	连杆销A21B4-32261AB	Connecting rod pin A21B4-32261AB	4	
27	910100300020	螺栓M8X16	Bolt M8X16	4	
28	910400500006	弹垫8	Spring washer 8	4	
29	256998526023	挡板A21B4-32081B	Baffle A21B4-32081B	2	
30	256998526024	衬套H24C4-12003	Bush H24C4-12003	2	

256898501020 转向桥及安装-AQ/STEERING BRIDGE AND INSTALLATION-AQ

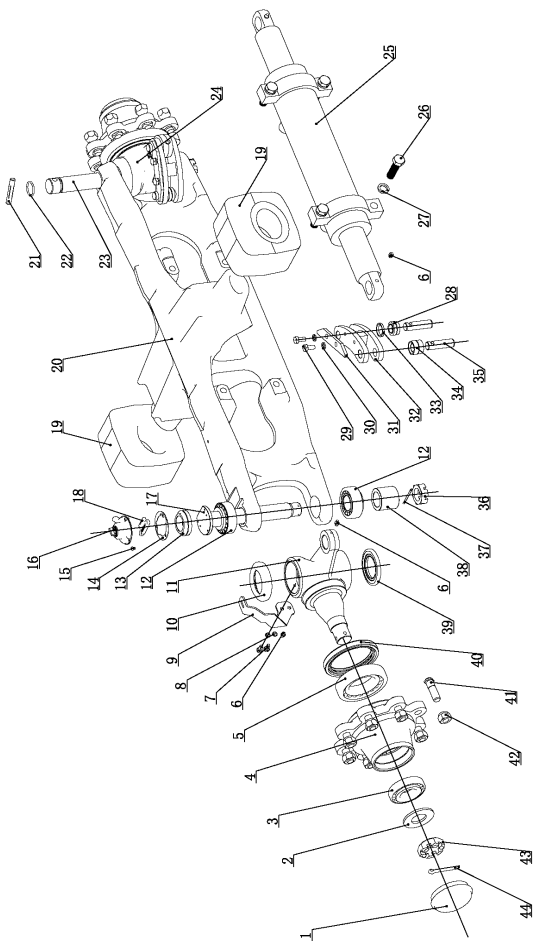
	序号/NO	编码/SN	名称	Name	数量/QTY	备注/Remark	
	31	256998526025	向心关节轴承GE16ES	Radial joint bearing GE16ES	4		
	32	256998526026	连杆A21B4-32081B	Connecting rod A21B4-32081B	2		
	33	910400500009	弹垫14	Spring washer 14	4		
	34	910100300065	六角螺栓M14X50	Bolt M14X50	4		
	35	255016020001	缓冲垫 H24N4-32451	cushion H24N4-32451	2		
	36	256998526027	转向油缸Z03M2-10400	Steering cylinder Z03M2-10400	1		
	37	256998526028	右转向节总成G27Z4-33301QT	Right steering knuckle assembly G27Z4-333	1		

256898501021 转向桥及安装(转弯减速-AQ) /STEERING BRIDGE AND INSTALLATION-AQ



序号/NO	编码/SN	名称	Name	数量/QTY	备注/Remark
A	256816015002	3.5t转向桥总成(安庆/转角)	30Q steering axle-AQ	1	
1	256998526015	轮毂盖(1218-10200)	Hub cap (1218-10200)	2	
2	256998526013	垫圈G27Z4-30711	Gasket G27Z4-30711	2	
3	910700600003	圆锥滚子轴承30207	Bearing 30207	2	
4	256998526013	垫圈G27Z4-30711	Gasket G27Z4-30711	2	
5	256998526011	圆锥滚子轴承30211	Bearing 30211	2	
6	256998526009	直通式油嘴M6(Q700B06)	Straight through nozzle M6(Q700B06)	6	
7	910100300009	螺栓M6X12	Bolt M6X12	2	
8	910400500005	垫圈6	Spring washer 6	2	
9	256998516030	传感器联动支架AQ-Z03N3-20201		1	
10	256998526019	油封264973	Oil seal 264973	2	
11	256998516031	左转向节总成AQ-Z03N3-22311		1	
12	256898526011	轴承33206	Bearing 33206	4	
13	256998526020	隔套Z03M2-33051	Spacer sleeve Z03M2-33051	2	
14	256998516032	密封垫圈KOMV4-30231		1	
15	256998516033	内六角平圆头螺钉M4X6		3	
16	256998516034	传感器安装盖总成A1674-32131		1	
17	256998516035	转向节主销AQ-Z03N3-22111		1	
18	256998516036	转角定位器AQ-Z03N3-40291		1	
19	255016020001	缓冲垫 H24N4-32451	cushion H24N4-32451	2	
20	256998526001	铸造转向桥体Z03M2-10200MKSA	Cast steering axle Z03M2-10200MKSA	1	
21	256998526021	槽销9.5X57(226986B)	Slot Pin 9.5X57(226986B)	2	
22	255098524010	O型密封圈25x2.65(Z6053-02502)	O-ring 25x2.65(Z6053-02502)	2	
23	256998526007	主销G27Z4-33031	Kingpin G27Z4-33031	1	
24	256998526028	右转向节总成G27Z4-33301QT	Right steering knuckle assembly G27Z4-333	1	
25	256998526027	转向油缸Z03M2-10400	Steering cylinder Z03M2-10400	1	
26	910100300065	螺栓M14X50	Bolt M14X50	4	
27	910400500009	弹垫14	Spring washer 14	4	
28	256998526025	向心关节轴承GE16ES	Radial joint bearing GE16ES	4	
29	910100300020	螺栓M8x16	Bolt M8x16	4	
30	910400500006	垫圈8	Spring washer 8	4	

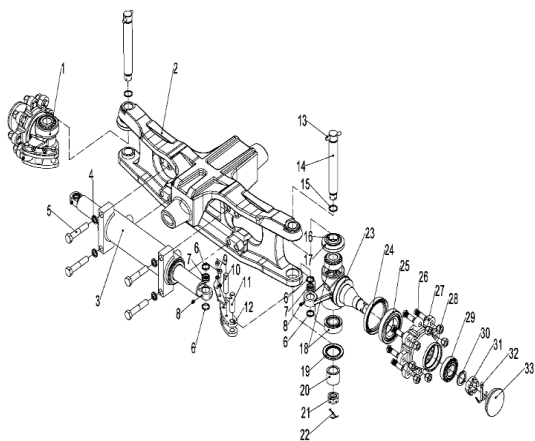
256898501021 转向桥及安装(转弯减速-AQ) /STEERING BRIDGE AND INSTALLATION-AQ



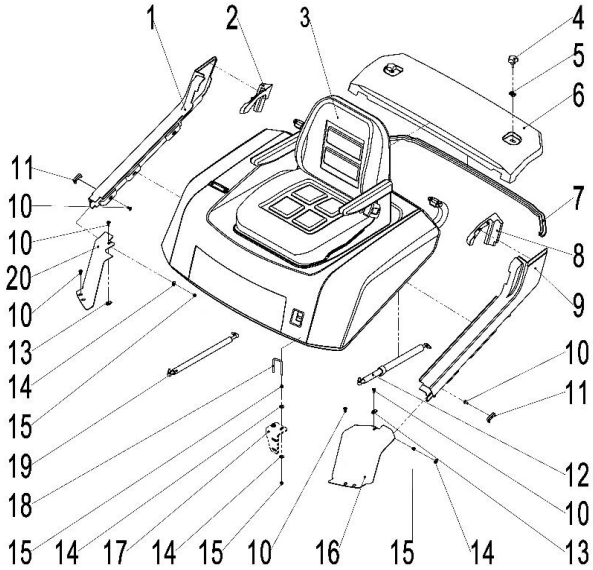
序号/NO	编码/SN	名称	Name	数量/QTY	备注/Remark
31	256998526023	挡板A21B4-32081B	Baffle A21B4-32081B	2	
32	256998526026	连杆A21B4-32081B	Connecting rod A21B4-32081B	2	
33	256998526024	衬套H24C4-12003	Bush H24C4-12003	2	
34	256998526018	向心关节轴承Z-GE16ES-K27	Radial joint bearing Z-GE16ES-K27	2	
35	256998526022	连杆销A21B4-32261AB	Connecting rod pin A21B4-32261AB	2	
36	256998526003	开槽螺母249289	Slotted nut 249289	2	
37	910600600032	开口销3.2x40(15225)	Pin 3.2x40(15225)	2	
38	256998526005	衬套G27Z4-33071	Bush G27Z4-33071	2	
39	256998526006	油封G27Z4-33201	Oil seal G27Z4-33201	2	
40	256998526010	U型密封圈B85X110X12D(Z6031-08524)	U-shaped sealing ring B85X110X12D(Z6031	2	
41	256998526017	轮毂螺栓23654-32041B	Hub bolt 23654-32041B	16	
42	256998526016	轮毂螺母23654-34051B	Hub nut 23654-34051B	16	
43	256998526014	开槽螺母M30X2(A21B4-32311)	Slotted nut M30X2(A21B4-32311)	2	
44	910600600042	销6.3X50	Pin 6.3X50	2	

256898501022 转向桥及安装-KD/STEERING BRIDGE AND INSTALLATION-KD

序号/NO	编码/SN	名称	Name	数量/QTY	备注/Remark
A	256816010001	30Q转向桥	30Q steering axle	1	
1	256898526001	左转向节Z30KD011G	Left knuckle Z30KD011G	1	
2	256898526002	桥体ZDS/K30-35D-03	Turn to the bridge ZDS/K30-35D-03	1	
3	256898516001	转向油缸LGZN030K-0100	Steering cylinder LGZN030K-0100	1	
4	910400500010	弹簧垫圈16	Spring washer 16	4	
5	910100100073	六角螺栓M16X65	Bolt M16X65	4	
6	256898526003	衬套Z30KD024	Bush Z30KD024	8	
7	256898526004	关节轴承Z30KD023	Knuckle bearing Z30KD023	4	
8	254198526085	直通式压注油杯M6	Oil cap M6	2	
9	910100300022	六角螺栓M8X18	bolt M8X18	4	
10	910400500006	弹簧垫圈8	Spring washer 8	4	
11	256898526005	连杆销Z30KD025	Link pin Z30KD025	4	
12	256898526006	连杆Z30KD002	Link Z30KD002	2	
13	256898526007	销轴Z30KD004G	Pin Z30KD004G	2	
14	256898526008	转向节主销ZBYD27KD010G	Kingpin ZBYD27KD010G	2	
15	910800100084	O形圈25X2.65	O-ring 25X2.65	2	
16	256898526009	防尘圈座ZBD20KD011G	Shield block ZBD20KD011G	2	
17	256898526010	防尘圈Z30KD006G	Dustband Z30KD006G	2	
18	256898526011	圆锥滚子轴承33206	Bearing 33206	4	
19	256898526012	复合防尘圈Z30KD009G	Composite dust ring Z30KD009G	2	
20	256898526013	衬套ZDS/K30-35KD-05	Bush ZDS/K30-35KD-05	2	
21	256898526014	销锁紧螺母Z30KD010G	Pin lock nut Z30KD010G	2	
22	256898526015	开口销3.2X50	Pin 3.2X50	2	
23	256898526016	右转向节Z30KD007G	Right knuckle Z30KD007G	1	
24	256898526017	旋转轴唇形密封圈FB85X110X12	Rotary shaft lip seals FB85X110X12	2	
25	256898526018	圆锥滚子轴承30211E	Bearing 30211E	2	
26	256898526019	轮毂螺栓Z30KD013	Hub bolt Z30KD013	16	
27	256898526020	转向轮毂Z30KD011	Steering wheel hub Z30KD011	16	
28	256898526021	轮毂螺母Z30KD012	Wheel hub nut Z30KD012	2	
29	910700600003	圆锥滚子轴承30207	Bearing 30207	2	
30	910400100016	平垫圈30	Washer30	2	

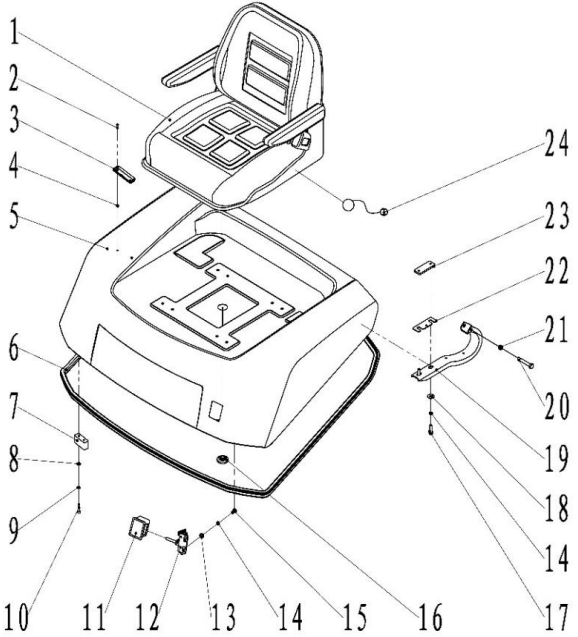


256898501024 电池罩安装/BATTERY COVER INSTALLATION



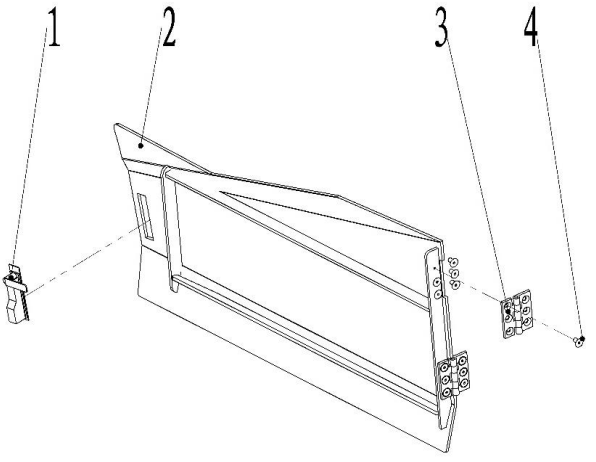
序号/NO	编码/SN	名称	Name	数量/QTY	备注/Remark
1	257521021002	右侧板	Right panel	1	
2	257521021006	右后腿密封垫	Right hind leg gasket	1	
3	257521001002	机罩装配	Hood assembly	1	见附件
4	281223021006	盖板螺栓	Cover bolts	2	
5	940400400002	板簧螺母M8-t (2-4)	Leaf spring nut M8-t(2-4)	2	
6	257521021007	过渡盖板	Transition cover	1	
7	255022520106	密封条 (90度)	Seal (90 degrees)	若干	
8	257521021005	左后腿密封垫	Left hind leg gasket	1	
9	257521021001	左侧板	Left panel	1	
10	941100100009	螺钉M6x12-8.8	Screw M6x12-8.8	8	
11	257521521096	握把	Grip	4	
12	940400100031	气弹簧500N (D620)-自锁	Air spring 500N(D620)- self locking	1	
13	940400400001	板簧螺母M6-t (2-4)	Leaf spring nut M6-t(2-4)	2	
14	910300500003	螺母GB889.1-M6-10	Nut GB889.1-M6-10	6	
15	910400200002	平垫圈GB96.1-6-200HV	Flat gasket GB96.1-6-200HV	6	
16	257521011005	左踏板罩焊合	The left pedal cover is welded	1	
17	257521521093	支撑板	Support plates	1	
18	257521021051	挂钩弯螺杆	Hook bent screw	1	
19	940400100030	气弹簧200N (D620)	Gas spring 200N (D620)	1	
20	257521011006	右踏板罩焊合		1	

256898501025 座椅盖板安装/SEAT COVER MOUNTING

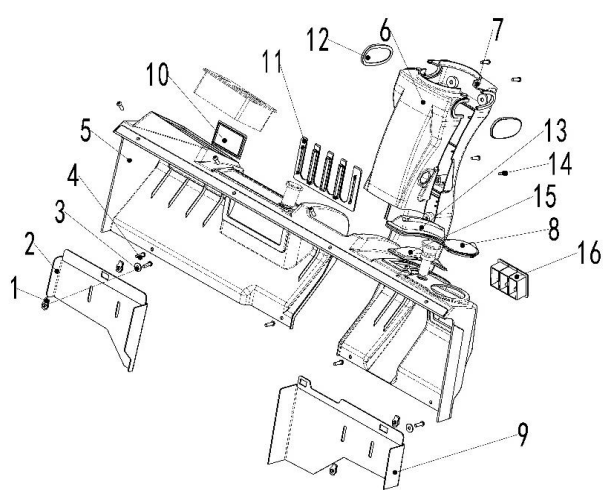
		序号/NO	编码/SN	名称	Name	数量/QTY	备注/Remark
		1	255037510002	座椅BF1-1BC(标准)	Seat BF1-1BC (STD.)	1	
		1	255037510003	座椅(舒适型)	Seat (comfort)	1	选装/Optional
		1	255037510004	座椅(减振型)	Seat (Vibration)	1	选装/Optional
		2	910200300008	螺钉GB70.2-M4x16-8.8	Screw GB70.2-M4x16-8.8	2	
		3	257521021052	文件夹子(100)	Folder sub(100)	1	
		4	910300100003	螺母GB6170-M4-10	Nut GB6170-M4-10	2	
		5	257521011002	机罩焊合	The hood is welded	1	
		6	255022520106	密封条(90度)	Seal (90 degrees)	若干	
		7	257521021032	机罩支撑垫	Hood support pad	2	
		8	910400100005	平垫圈GB97.1-6-200HV	Flat washer GB97.1-6-200HV	4	
		9	910400500005	弹簧垫圈GB93-6	Spring washer GB93-6	4	
		10	910200200039	螺钉GB70.1-M6x30-8.8	Screws GB70.1-M6x30-8.8	4	
		11	257521021035	锁扣盒	Lock box	1	
		12	257521011008	机罩锁扣总成	Hood latch assembly	1	
		13	910400100006	平垫圈GB97.1-8-200HV	Flat washer GB97.1-8-200HV	2	
		14	910400500006	弹簧垫圈GB93-8	Spring washer GB93-8	6	
		15	910100300020	螺栓GB5783-M8x16-8.8	Bolt GB5783-M8x16-8.8	2	
		16	255021020046	保护圈φ35	Guard circle	1	
		17	910100300024	螺栓GB5783-M8x30-8.8	Bolt GB5783-M8x30-8.8	4	
		18	910400200003	大垫圈GB96.1-8-200HV	Large gasket GB96.1-8-200HV	4	
		19	257521021033	机罩铰链30G	Hood hinge 30G	2	
		20	257521021034	铰链固定螺栓	Hinge fixing bolts	2	
		21	910300500004	螺母GB889.1-M8-10	Nut GB889.1-M8-10	2	
22	257521021046	调整垫(30G)	Adjustment Pad (30G)	2			
23	257521021045	固定板(铰链丝座)	Fixing plate (hinged wire holder)	2			

256898501026 右侧板安装 (侧出) /SIDE PANEL INSTALLATION

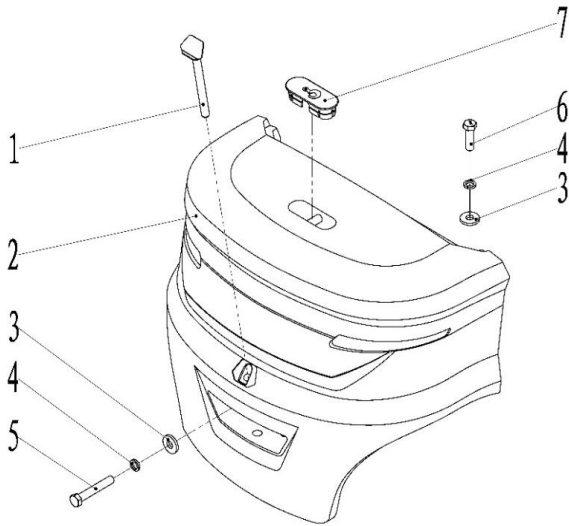
	序号/NO	编码/SN	名称	Name	数量/QTY	备注/Remark
	1	940800300005	面板锁AP305	Panel lock AP305	1	
	2	257521512007	右侧门焊合	Side panel welding	1	
	3	257521512040	合页80x65	Hinge 80x65	2	
	4	910200400023	螺钉GB70.3-M8x10-8.8	ScrewGB70.3-M8x10-8.8	12	



256898501027 仪表罩安装/INSTRUMENT COVER INSTALLATION

	序号/NO	编码/SN	名称	Name	数量/QTY	备注/Remark
	1	940400400001	板簧螺母M6-t (2-4)	Nut M6	6	
	2	256821511006	盖板焊合(右)	Cover assembly	1	
	3	910400200002	平垫6	Washer GB97.1-6-200HV	4	
	4	941100100009	螺钉M6x12-8.8	Screw M6x12	6	
	5	256810022001	仪表罩(30Q)	Instrument mask	1	
	6	255010020005	前盖	Cover	1	
	7	255010020006	后盖	Cover	1	
	8	256810022010	制动液杯盖	Cover	1	
	9	256821511004	盖板焊合(左)	Cover assembly	1	
	10	256810022013	磁卡孔盖板	Cover	1	Option
	11	256810022011	操纵杆孔盖板	Cover	1	
	12	255010021021	管柱堵盖	Cover	1	Option
	13	256810021009	手制动防尘套	dust cover	1	
	14	910200500041	螺钉GB818-M5x20-4.8	Screw GB818-M5x20-4.8	2	
	15	256810022012	手制动孔盖板	Cover	1	Option
	16	256810011050	开关盒组合总成	Switch box	1	

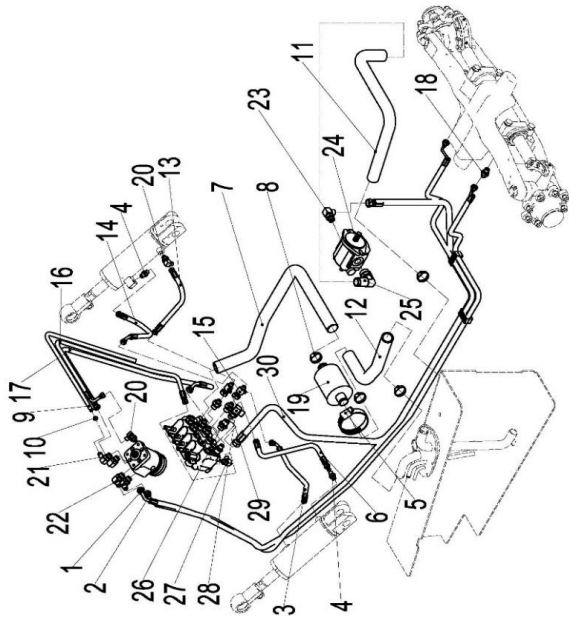
257598501028 平衡重及安装/BALANCE WEIGHT AND MOUNTING

	序号/NO	编码/SN	名称	Name	数量/QTY	备注/Remark
	1	257523011010	牵引销焊合 (30G)	Traction pin welding (30G)	1	
	2	257523021002	平衡重 (30G)	Balance weight (30G)	1	
	3	255023020007	垫圈 $\Phi 60 \times \Phi 25 \times 8$	Washer $\Phi 60 \times \Phi 25 \times 8$	4	
	4	910400500013	弹簧垫圈GB93-24	Spring washer GB93-24	4	
	5	910100100104	螺栓GB5782-M24x150-8.8	Bolt GB5782 M24x150-8.8	2	
	6	910100100128	螺栓GB5782-M24x80-10.9	Bolt GB5782 M24x120-8.8	2	
	7	255023020002	装饰盖	Spring washer GB93-24	1	

257598501029 脚踏板安装/FOOT PEDAL

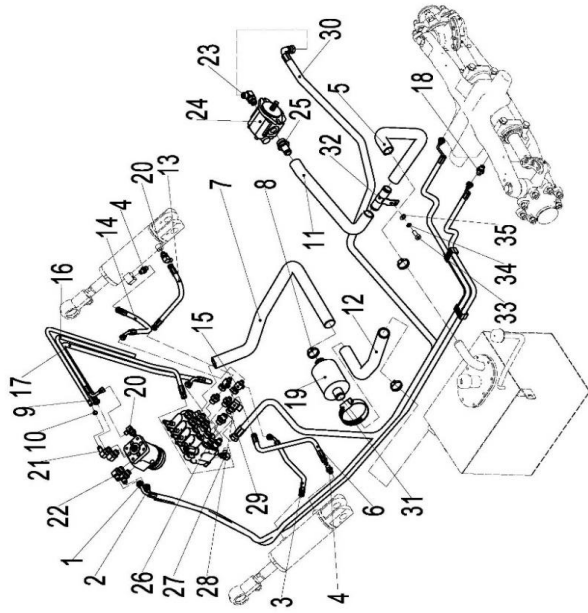
	序号/NO	编码/SN	名称	Name	数量/QTY	备注/Remark
	1	257518011001	前地板焊合	Floor welding (front)	1	
	2	257518011002	后地板焊合	Floor welding (rear)	1	
	3	257518021006	左上车脚踏板 (30G)	Left foot pedal (30G)	1	
	4	257521511001	车架焊合 (30G吊装)	Frame welding (30G lifting)	1	
		257521512001	车架焊合 (30G侧出)	Frame welding (30G side out)	1	
	5	257518021005	地板垫 (30G)	Cushion (30G)	1	
	6	255018020010	橡胶垫	Rubber pad	8	
	7	941100100012	螺钉M8X20-8.8	Screw M8x12-8.8	4	
	8	257518021016	右上车踏板 (30G)	Right foot pedal (30G)	1	

257598501030 液压系统(吊装)/HYDRAULIC(LIFTING)



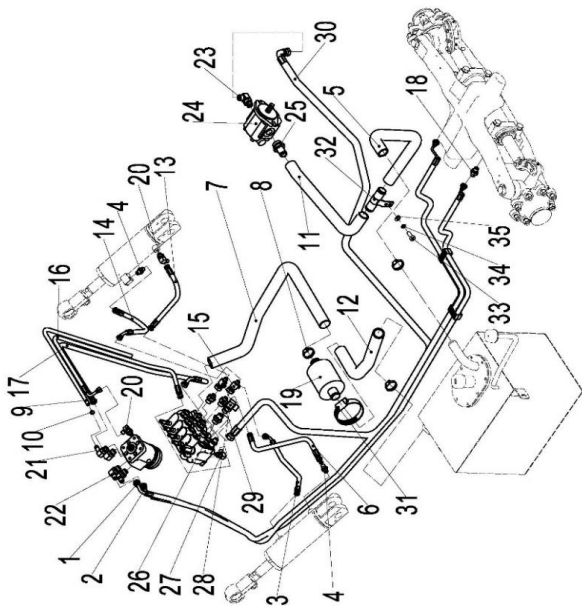
序号/NO	编码/SN	名称	Name	数量/QTY	备注/Remark
1	254123520002	液压管总成(异)10-L2550-1SC-60°	Hydraulic Tube Assembly (Extraordinary)10-L	1	
2	255023520002	液压管总成(异)10-L2700-1SC-60°	Hydraulic Tube Assembly (Extraordinary)10-L	1	
3	256823520003	液压管总成(90°)6-L750-1SC-60°	Hydraulic Tube Assembly (90°)6-L750-1SC-6	1	
4	255023520007	接头(直)6-G1/4-M14x1.5-60°	Connector (straight)6-G1/4 M14X1.5-60°	3	
5	911000600010	喉箍JB/T8870-(90-110)	Throat band JB/T8870-(90-110)	1	
6	275223521006	液压管总成(90°)6-L700-1SC-60°	Hydraulic Tube Assembly (90°)6-L700-1SC-6	1	
7	257523520001	胶管1(回油)	Rubber hose 1 (return oil)	1	
8	911000600006	喉箍QC/T390-(40-45)	Hose hoops QC/T390 - (40-45)	8	
9	900200401001	回油胶管23x5	Return oil hose 23X5	2560	
10	911000600003	喉箍QC/T390-(22-26)	Hose hoops QC/T390 - (22-26),	2	
11	257523520002	胶管(吸油)	Rubber hose (oil absorption)	1	
12	257523520003	胶管2(回油)	Rubber hose 2 (return oil)	1	
13	256823520004	液压管总成(135°)6-L450-1SC-60°	Hydraulic Tube Assembly (135°)6-L450-1SC	1	
14	252123520002	液压管总成(135°)6-L600-1SC-60°	Hydraulic Tube Assembly (Straight)6-L600-1	1	
15	255023510012	接头(三通)7-2xM14x1.5-M16x1.5-60°	Connector (tee) 7-2XM14X1.5 - M16X1.5 -60	2	
16	252123520011	液压管总成(90°)6-L1320-1SC-60°	Hydraulic Tube Assembly (90°)6-L1320-1SC	1	
17	251123521005	液压管总成(90°)8-L1320-1SC-60°	Hydraulic Tube Assembly (90°)8-L1320-1SC	1	
18	255023520034	接头(直)8-2xM16x1.5-60°	Connector (straight) 8-2XM16X1.5-60°	2	
19	253623511020	外置回油过滤器	External return oil filter	1	
20	255023510003	接头(锁定弯)6-G1/4-M14x1.5-60°	Connector (lock bend)6-G1/4 M14X1.5 -60°	2	
21	255023510008	接头(锁定弯)11-M20x1.5-0	Connector (lock bend)11-M20x1.5-0	1	
22	255023510007	接头(锁定弯)10-M20x1.5-M16x1.5-60°	Connector (lock bend) 10-M20X1.5 - M16X1.	3	
23	256823521010	接头(锁定弯)15-M27x2-M22x1.5-60°	Connector (lock bend)12-G1/2- M22X1.5 -60	1	
24	256523512006	齿轮泵(岛津13-30cc)	Gear pump (Shimadzu 13-30cc)	1	
25	256523510005	接头(锁定弯)25-M33x2-Φ33	Connector (locking bend)15-M27x2-M22x1.5	1	
26	255023520030	接头(直)12-2xM22x1.5-60°	Connector (straight) 12-2XM22X1.5 -60°	1	
27	255023510001	接头(锁定弯)6-M12x1.5-M14x1.5-60°	Connector (lock bend) 6-M12X1.5 - M14X1.5	1	
28	255044020143	接头(锁定弯)12-M20x1.5-M22x1.5-60°	Connector (lock bend)12-M20x1.5-M22x1.5-6	1	
29	255023520033	接头(直)8-M20x1.5-M16x1.5-60°	Connector (straight) 8-M20X1.5 - M16X1.5 -6	1	
30	257523520006	液压管总成(90°)15-L2450-2SC-60°	Hydraulic Tube Assembly (90°)15-L2450-2SC	1	

257598501031 液压系统(侧出)/HYDRAULIC(SIDE OUT)



序号/NO	编码/SN	名称	Name	数量/QTY	备注/Remark
1	257523520007	液压管总成(90°)10-L2600-1SC-60°	Hydraulic tube assembly (90°)10-L2600-1SC	1	
2	257523520008	液压管总成(90°)10-L2750-1SC-60°	Hydraulic tube assembly (90°)10-L2750-1SC	1	
3	256823520003	液压管总成(90°)6-L750-1SC-60°	Hydraulic Tube Assembly (90°)6-L750-1SC-60°	1	
4	255023520007	接头(直)6-G1/4-M14x1.5-60°	Connector (straight)6-G1/4 M14X1.5-60°	3	
5	256623521013	胶管2(回油)	Hose 2(oil return)	1	
6	275223521006	液压管总成(90°)6-L700-1SC-60°	Hydraulic Tube Assembly (90°)6-L700-1SC-60°	1	
7	257523521005	胶管1(回油-侧出)	Hose 1(oil return - side discharge)	1	
8	911000600006	喉箍QC/T390-(40-45)	Hose hoops QC/T390 - (40-45)	8	
9	900200401001	回油胶管23x5	Return oil hose 23X5	2560	
10	911000600003	喉箍QC/T390-(22-26)	Hose hoops QC/T390 - (22-26),	2	
11	257523521004	胶管(吸油-侧出)	Hose (oil suction - side discharge)	1	
12	257523521006	胶管2(回油-侧出)	Hose 2(Oil return - side discharge)	1	
13	256823520004	液压管总成(135°)6-L450-1SC-60°	Hydraulic Tube Assembly (135°)6-L450-1SC	1	
14	252123520002	液压管总成(135°)6-L600-1SC-60°	Hydraulic Tube Assembly (Straight)6-L600-1SC	1	
15	255023510012	接头(三通)7-2xM14x1.5-M16x1.5-60°	Connector (tee) 7-2XM14X1.5 - M16X1.5 -60°	2	
16	252123520011	液压管总成(90°)6-L1320-1SC-60°	Hydraulic Tube Assembly (90°)6-L1320-1SC	1	
17	251123521005	液压管总成(90°)8-L1320-1SC-60°	Hydraulic Tube Assembly (90°)8-L1320-1SC	1	
18	255023520034	接头(直)8-2xM16x1.5-60°	Connector (straight) 8-2XM16X1.5-60°	2	
19	253623511020	外置回油过滤器	External return oil filter	1	
20	255023510003	接头(锁定弯)6-G1/4-M14x1.5-60°	Connector (lock bend)6-G1/4 M14X1.5 -60°	2	
21	255023510008	接头(锁定弯)11-M20x1.5-0	Connector (lock bend)11-M20x1.5-0	1	
22	255023510007	接头(锁定弯)10-M20x1.5-M16x1.5-60°	Connector (lock bend) 10-M20X1.5 - M16X1.5 -60°	3	
23	256823521010	接头(锁定弯)12-G1/2-M22x1.5-60°	Connector (lock bend)12-G1/2-M22X1.5 -60°	1	
24	256523512006	齿轮泵(岛津13-30cc)	Gear pump (Shimadzu 13-30cc)	1	
25	282323520001	接头(直)25-M33X2-Φ32	Connector (straight)25-M33X2-Φ32	1	
26	255044020151	接头(锁定弯)12-2xM22x1.5-60°	Connector (locking bend)12-2xM22x1.5-60°	1	
27	255023510001	接头(锁定弯)6-M12x1.5-M14x1.5-60°	Connector (lock bend) 6-M12X1.5 - M14X1.5 -60°	1	
28	255044020143	接头(锁定弯)12-M20x1.5-M22x1.5-60°	Connector (lock bend)12-M20X1.5-M22X1.5-60°	1	
29	255023520033	接头(直)8-M20x1.5-M16x1.5-60°	Connector (straight) 8-M20X1.5 - M16X1.5 -60°	1	
30	257523520009	液压管总成(90°)15-L1850-2SC-60°	Hydraulic tube assembly (90°)15-L1850-2SC-60°	1	
31	911000600010	喉箍JB/T8870-(90-110)	Throat band JB/T8870-(90-110)		

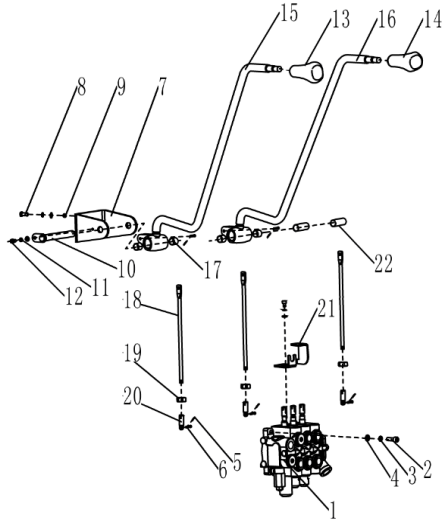
257598501031 液压系统(侧出)/HYDRAULIC(SIDE OUT)



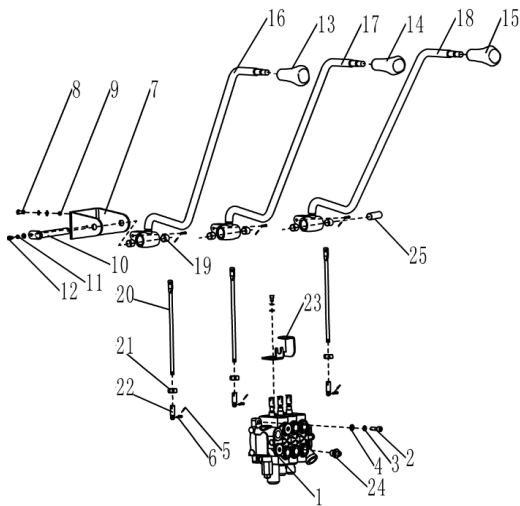
序号/NO	编码/SN	名称	Name	数量/QTY	备注/Remark
32	252123510011	过渡钢管焊接	Transition steel pipe welding	1	
33	910100300011	螺栓GB5783-M6x20-8.8	Bolt GB5783-M6x20-8.8	1	
34	910400500005	弹簧垫圈GB93-6	Spring washer GB93-6	1	
35	910400100005	平垫圈GB97.1-6-200HV	Flat washer GB97.1-6-200HV	1	

256898501032 多路换向阀操纵(二联)/MULTI-WAY REVERSING VALVE CONTROL (TWO)

序号/NO	编码/SN	名称	Name	数量/QTY	备注/Remark
1	256824511002	多路阀(2联电磁阀ZSX)	Multi way valve (two) solenoid valve	1	
2	910100400006	螺栓GB5786-M10x1.25x40-8.8	Bolt GB5786-M10x1.25x40-8.8	4	
3	910400500007	弹簧垫圈GB93-10	Spring washer GB93-10	8	
4	910400100007	平垫圈GB97.1-10-200HV	Washer GB97.1-10-200HV	12	
5	941100800001	销轴B4.75x20-c1B	Pin B4.75x20-c1B	4	
6	910600600011	开口销GB91-2x12	Cotter pin GB91-2x12	4	
7	252124520002	支架(阀杆)	Support (stem)	1	
8	910100300037	螺栓GB5783-M10x30-8.8	Bolt GB5783 M10x30-8.8	4	
9	910300100007	螺母GB6170-M10-10	Nut GB6170-M10-10	4	
10	255024510009	带耳轴Φ16x168	With trunnion Φ16x168	1	
11	910400500005	弹簧垫圈GB93-6	Spring washer GB93-6	1	
12	910200200032	螺钉GB70.1-M6x10-8.8	Screw GB70.1 M6x10-8.8	1	
13	253524520010	手柄球(起升)	Handle ball(lift)	1	
14	253524520009	手柄球(倾斜)	Handle ball(tilt)	1	
15	256824510002	操纵杆焊合(起升)	Joystick welding(lifting)	1	
16	256824510003	操纵杆焊合(倾斜)	Joystick welding(tilt)	1	
17	940500100006	复合套Φ16xΦ18x15-SF-1	Composite set Φ16xΦ18x15-SF-1	4	
18	256824520003	连接杆	Connecting rod	2	
19	910300100006	螺母GB6170-M8-10	Nut GB6170 M8-10	2	
20	255025020003	接头	joint	2	
21	253524520014	支架(行程开关)	Bracket (travel switch)	2	
22	255024520028	轴套Φ29xΦ16x38	Shaft sleeveΦ29xΦ16x38	2	
23	255098514001	电磁阀总成(24V)	Solenoid Valve Assembly (24V)	1	电磁阀专用件

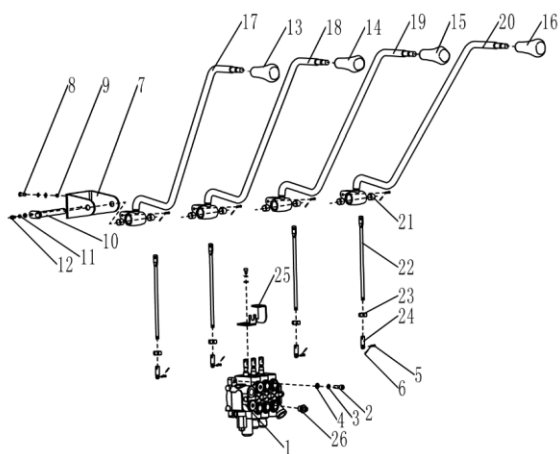


256898501033 多路换向阀操纵(三联)MULTI-WAY REVERSING VALVE CONTROL (THREE)



序号/NO	编码/SN	名称	Name	数量/QTY	备注/Remark
1	256825011002	多路阀(3联电磁阀ZSX)	Multi way valve (three) solenoid valve	1	
2	910100400006	螺栓GB5786-M10x1.25x40-8.8	Bolt GB5786-M10x1.25x40-8.8	4	
3	910400500007	弹簧垫圈GB93-10	Spring washer GB93-10	8	
4	910400100007	平垫圈GB97.1-10-200HV	Washer GB97.1-10-200HV	12	
5	941100800001	销轴B4.75x20-c1B	Pin B4.75x20-c1B	6	
6	910600600011	开口销GB91-2x12	Cotter pin GB91-2x12	6	
7	252124520002	支架(阀杆)	Support (stem)	1	
8	910100300037	螺栓GB5783-M10x30-8.8	Bolt GB5783 M10x30-8.8	4	
9	910300100007	螺母GB6170-M10-10	Nut GB6170-M10-10	4	
10	255024510009	带耳轴Φ16x168	With trunnion Φ16x168	1	
11	910400500005	弹簧垫圈GB93-6	Spring washer GB93-6	1	
12	910200200032	螺钉GB70.1-M6x10-8.8	Screw GB70.1 M6x10-8.8	1	
13	253524520010	手柄球(起升)	Handle ball(lift)	1	
14	253524520009	手柄球(倾斜)	Handle ball(tilt)	1	
15	253525020002	手柄球(属具1)	Handle ball(belonging to 1)	1	
16	256824510002	操纵杆焊合(起升)	Joystick welding(lifting)	1	
17	256824510003	操纵杆焊合(倾斜)	Joystick welding(tilt)	1	
18	256825010004	操纵杆焊合(属具1)	Joystick welding(tool1)	1	
19	940500100006	复合套Φ16xΦ18x15-SF-1	Composite setΦ16xΦ18x15-SF-1	6	
20	256824520003	连接杆	Connecting rod	3	
21	910300100006	螺母GB6170-M8-10	Nut GB6170 M8-10	3	
22	255025020003	接头	joint	3	
23	253524520014	支架(行程开关)	Bracket (travel switch)	3	
24	255023520033	接头(直)8-M20x1.5-M16x1.5-60°	Joint (straight) 8-M20x1.5-M16x1.5-60°	2	
25	255024520028	轴套Φ29xΦ16x38	Shaft sleeve Φ16xΦ29x38	1	
26	255098514001	电磁阀总成(24V)	Solenoid Valve Assembly (24V)	1	电磁阀专用件

256898501034 多路换向阀操纵(四联)MULTI-WAY REVERSING VALVE CONTROL (FOUR)



序号/NO	编码/SN	名称	Name	数量/QTY	备注/Remark
1	256825511002	多路阀(4联电磁阀ZSX)	Multi way valve (four) solenoid valve	1	CE选配
2	910100400006	螺栓GB5786-M10x1.25x40-8.8	Bolt GB5786-M10x1.25x40-8.8	4	
3	910400500007	弹簧垫圈GB93-10	Spring washer GB93-10	8	
4	910400100007	平垫圈GB97.1-10-200HV	Washer GB97.1-10-200HV	12	
5	941100800001	销轴B4.75x20-c1B	Pin B4.75x20-c1B	8	
6	910600600011	开口销GB91-2x12	Cotter pin GB91-2x12	8	
7	252124520002	支架(阀杆)	Support (stem)	1	
8	910100300037	螺栓GB5783-M10x30-8.8	Bolt GB5783 M10x30-8.8	4	
9	910300100007	螺母GB6170-M10-10	Nut GB6170-M10-10	4	
10	255024510009	带耳轴Φ16x168	With trunnion Φ16x168	1	
11	910400500005	弹簧垫圈GB93-6	Spring washer GB93-6	1	
12	910200200032	螺钉GB70.1-M6x10-8.8	Screw GB70.1 M6x10-8.8	1	
13	253524520010	手柄球(起升)	Handle ball (lift)	1	
14	253524520009	手柄球(倾斜)	Handle ball (tilt)	1	
15	253525020002	手柄球(属具1)	Handle ball (belonging to1)	1	
16	253525520002	手柄球(属具2)	Handball (belonging to 2)	1	
17	256824510002	操纵杆焊合(起升)	Joystick welding (lifting)	1	
18	256824510003	操纵杆焊合(倾斜)	Joystick welding (tilt)	1	
19	256825010004	操纵杆焊合(属具1)	Joystick welding (tool 1)	1	
20	256825510005	操纵杆焊合(属具2)	Joystick welding (kit 2)	1	
21	940500100006	复合套Φ16xΦ18x15-SF-1	Composite set Φ16xΦ18x15-SF-1	8	
22	256824520003	连接杆	Connecting rod	4	
23	910300100006	螺母GB6170-M8-10	Nut GB6170 M8-10	4	
24	255025020003	接头	joint	4	
25	253524520014	支架(行程开关)	Bracket (travel switch)	4	
26	255023520033	接头(直)8-M20x1.5-M16x1.5-60°	Joint (straight)8-M20x1.5-M16x1.5-60°	4	
27	255098514001	电磁阀总成(24V)	Solenoid Valve Assembly (24V)	1	电磁阀专用件

257598501035 工作油箱(吊装)装置及安装/WORK TANK (LIFTING) INSTALLATION AND INSTALLATION

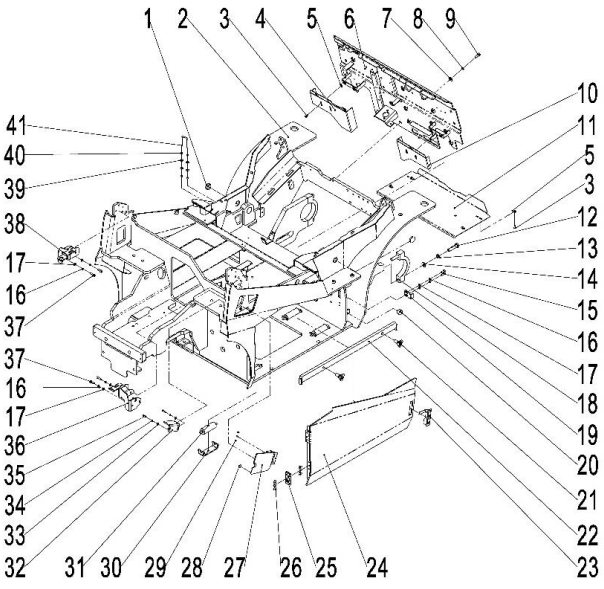
	序号/NO	编码/SN	名称	Name	数量/QTY	备注/Remark
		1	255019010004	网式过滤器	Mesh filter	1
2		257519011002	箱盖焊合	Lid welded	1	
3		256919021011	加油塞尺	Oil ruler plug assembly	1	
4		910100300022	螺栓GB5783-M8x20-8.8	Bolt GB5783 M8x20-8.8	8	
5		910400500006	弹簧垫圈GB93-8	Spring washer GB93-8	8	
6		910400100006	平垫圈GB97.1-8-200HV	Washer GB97.1-8-200HV	8	
7		255019020013	密封垫204x134x1.5-R	Gasket 204x134x1.5-R	1	
8		255019020015	放油塞M20x1.5	Drain plug M20x1.5	1	
9		256819010005	呼吸器YS16J(长梅)	Respirator HS0403	1	
10		900200401007	回油胶管12x3	Oil return hose 12x3	1	L=300

257598501037 车架装配(侧出)/FRAME ASSEMBLY(SIDE OUT)

序号/NO	编码/SN	名称	Name	数量/QTY	备注/Remark
1	272521521086	孔塞SKT-35	Hole plug SKT-35	2	
2	257521512001	车架焊合(30G侧出)	Frame welding (30G side out)	1	
3	941100100009	螺钉M6x12-8.8	Screw M6x12-8.8	8	
4	256821511004	盖板焊合(左)	Welding of cover plate (left)	1	
5	940400400001	板簧螺母M6-t(2-4)	Leaf spring nut M6-t(2-4)	8	
6	257521511009	仪表架焊合	Meter frame welding	1	
7	910400500007	弹簧垫圈GB93-10	Spring washer GB93-10	3	
8	910400200004	大垫圈GB96.1-10-200HV	Large washer GB96.1-10-200HV	3	
9	910100300037	螺栓GB5783-M10x30-8.8	Bolt GB5783-M10x30-8.8	3	
10	256821511006	盖板焊合(右)	Welding of cover plate (right)	1	
11	256921521091	驱动电机护板	Drive motor guard plate	1	
12	910400500010	弹簧垫圈GB93-16	Spring washer GB93-16	4	
13	910400100010	平垫圈GB97.1-16-200HV	Flat washer GB97.1-16-200HV	4	
14	910100200016	螺栓GB5785-M16x1.5x70-8.8	Bolt GB5785-M16x1.5x70-8.8	4	
15	910200200057	螺钉GB70.1-M8x20-8.8	Screws GB70.1-M8x20-8.8	2	
16	910400500006	弹簧垫圈GB93-8	Spring washer GB93-8	6	
17	910400100006	平垫圈GB97.1-8-200HV	Flat washer GB97.1-8-200HV	6	
18	256821521032	支承盖	Support cover	2	
19	257521522093	安装板	Mounting plate	1	
20	505618020016	缓冲垫	Cushions	1	
21	255021020059	星形把手	Star grip knob	2	
22	257521515001	电瓶限位板焊合	Battery limit plate welding	1	
23	940800300005	面板锁AP305	Panel lock AP305	1	
24	257521512007	右侧门焊合	Side panel welding	1	
25	257521512040	合页80x65	Hinge 80x65	2	
26	910200400023	螺钉GB70.3-M8x10-8.8	ScrewGB70.3-M8x10-8.8	12	
27	257521012004	充电口盖板焊合	Charging port cover plate welding	1	
28	940600100005	磁钢Φ18x3	Magnet steel Φ18x3	1	
29	910100300118	螺栓GB5783-M4x8-8.8	Bolt GB5783-M4x8-8.8	3	
30	257521522089	滚筒固定板	Roller fixing plate	8	
31	257521521091	滚筒38x140	Roller 38x140	8	

257598501037 车架装配(侧出)/FRAME ASSEMBLY (SIDE OUT)

序号/NO	编码/SN	名称	Name	数量/QTY	备注/Remark
32	257521522038	充电接插件支架	Charging connector bracket	1	
33	910400500004	弹簧垫圈GB93-5	Spring washer GB93-5	4	
34	910200200024	螺钉GB70.1-M5x20-8.8	Screw GB70.1-M5x20-8.8	4	
35	910400200001	大垫圈GB96.1-5-200HV	Large washer GB96.1-5-200HV	4	
36	257521511011	铰链右支架焊合	Hinge right support welding	1	
37	910200200058	螺钉GB70.1-M8x25-8.8	Screw GB70.1-M8x25-8.8	4	
38	257521511012	铰链左支架焊合	Hinge left support welding	1	
39	910400200002	平垫圈GB96.1-6-200HV	Flat gasket GB96.1-6-200HV	4	
40	910300100005	螺母GB6170-M6-10	Nut GB6170-M6-10	4	
41	257521021051	挂钩弯螺杆	Hook bent screw	1	

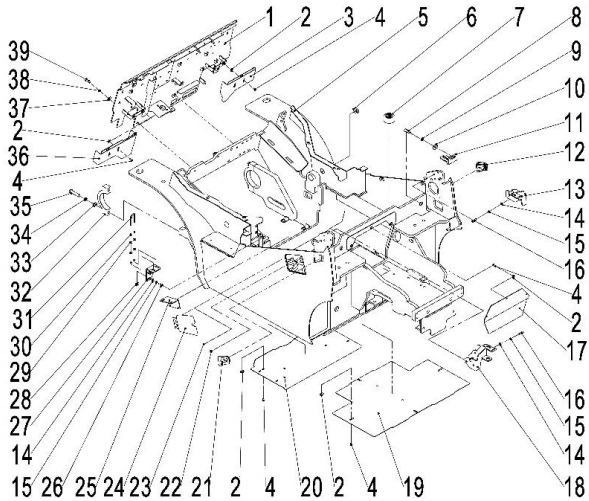


256898501038 车架装配(吊装)/FRAME ASSEMBLY (HOISTING)

序号/NO	编码/SN	名称	Name	数量/QTY	备注/Remark
1	257521511009	仪表架焊合	Meter frame welding	1	
2	940400400001	板簧螺母M6-t(2-4)	Leaf spring nut M6-t(2-4)	15	
3	256821511006	盖板焊合(右)	Welding of cover plate (right)	1	
4	941100100009	螺钉M6x12-8.8	Screw M6x12-8.8	15	
5	257521511001	车架焊合(30G吊装)	Frame welding (30G hoisting)	1	
6	272521521086	孔塞SKT-35	Hole plug SKT-35	2	
7	256821521095	减振垫	Cushion blocking	4	
8	910100300051	螺栓GB5783-M12x35-8.8	Bolt GB5783-M12x35-8.8	2	
9	910400500008	弹簧垫圈GB93-12	Spring washer GB93-12	2	
10	910400200005	大垫圈GB96.1-12-200HV	Large gasket GB96.1-12-200HV	2	
11	257521521094	电瓶固定板	Battery retaining plate	2	
12	505621520038	通风孔(1)	Ventilation hole 1	1	
13	257521511011	铰链右支架焊合	Hinge right support welding	1	
14	910400100006	平垫圈GB97.1-8-200HV	Flat washer GB97.1-8-200HV	6	
15	910400500006	弹簧垫圈GB93-8	Spring washer GB93-8	6	
16	910200200058	螺钉GB70.1-M8x25-8.8	Screw GB70.1-M8x25-8.8	4	
17	257521521090	泵电机前封板	Pump motor front sealing plate	1	
18	257521511012	铰链左支架焊合	Hinge left support welding	1	
19	257521521092	电瓶箱底封板	Battery case bottom sealing plate	1	
20	256921521091	驱动电机护板	Drive motor guard plate	1	
21	505621520041	通风孔2	Ventilation hole 2	1	
22	940600100005	磁钢Φ18x3	Magnet steel Φ18x3	1	
23	910100300118	螺栓GB5783-M4x8-8.8	Bolt GB5783-M4x8-8.8	3	
24	257521012004	充电口盖板焊合	Charging port cover plate welding	1	
25	257521521088	电缆压板	Cable platen	1	
26	910200200057	螺钉GB70.1-M8x20-8.8	Screw GB70.1-M8x20-8.8	2	
27	257521521093	支撑板	Supporting plate	1	
28	940400400002	板簧螺母M8-t(2-4)	Leaf spring nut M8-t(2-4)	2	
29	910400200002	平垫圈GB96.1-6-200HV	Flat washer GB96.1-6-200HV	4	
30	910300100005	螺母GB6170-M6-10	Nut GB6170-M6-10	4	
31	257521021051	挂钩弯螺杆	Hook bent screw	1	

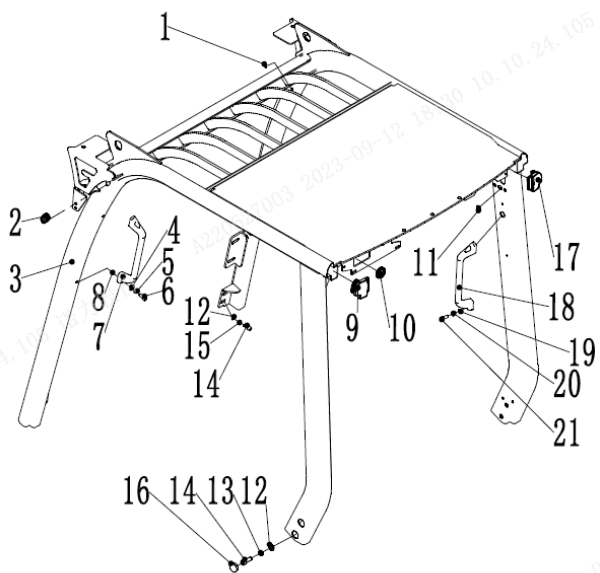
256898501038 车架装配(吊装)/FRAME ASSEMBLY (HOISTING)

序号/NO	编码/SN	名称	Name	数量/QTY	备注/Remark
32	256821521032	支承盖	Support cover	2	
33	910400100010	平垫圈GB97.1-16-200HV	Flat washer GB97.1-16-200HV	4	
34	910400500010	弹簧垫圈GB93-16	Spring washer GB93-16	4	
35	910100200016	螺栓GB5785-M16x1.5x70-8.8	Bolt GB5785-M16x1.5x70-8.8	4	
36	256821511004	盖板焊接(左)	Welding of cover plate (left)	1	
37	910400200004	大垫圈GB96.1-10-200HV	Large gasket GB96.1-10-200HV	3	
38	910400500007	弹簧垫圈GB93-10	Spring washer GB93-10	3	
39	910100300037	螺栓GB5783-M10x30-8.8	Bolt GB5783-M10x30-8.8	3	

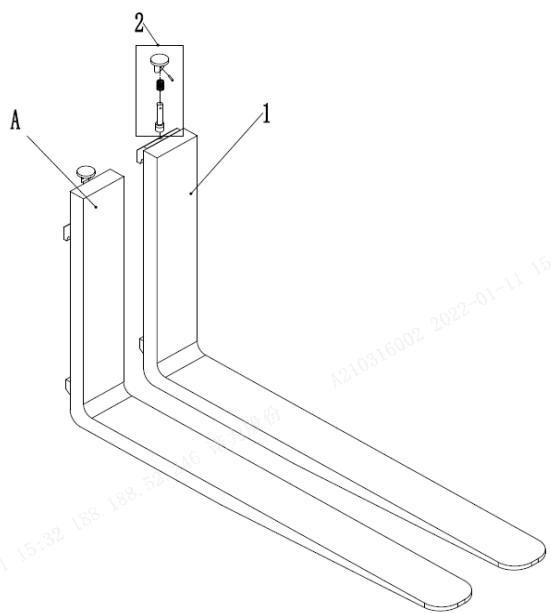


257598501039 护顶架装配/TOP GUARD ASSEMBLY

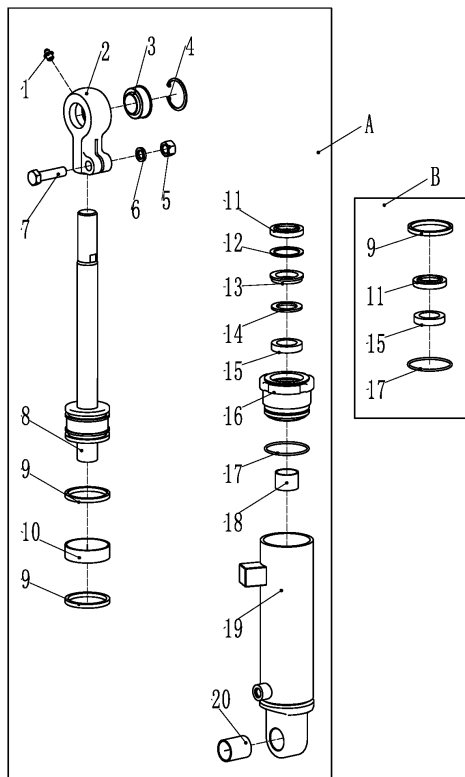
序号/NO	编码/SN	名称	Name	数量/QTY	备注/Remark
1	255022020034	孔塞11	Cover 11	8	
2	255022020003	弹簧垫圈GB93-12	Spring washer GB93-12	8	
3	257522011001	护顶架焊合	The flat washer GB97.1-12-200HV	1	
4	910400100006	平垫圈GB97.1-8-200HV	Washer GB97.1-8-200HV	8	
5	910400500006	弹簧垫圈GB93-8	Spring washer GB93-8	8	
6	910200200057	螺钉GB70.1-M8x20-8.8	Screw GB70.1-M8x20-8.8	8	
7	255022020029	把手	Handle	2	
8	910301300003	螺母GB17880.1-M8x18	Nuts GB17880.1-M8x18	1	
9	255022020001	防护罩一(异型管)	Protective cover 3	2	
10	255022020004	尾灯出线圈	Protective tape	2	
11	2520220200050	充电插座线垫圈	Protective tape	1	
12	910400500008	弹簧垫圈GB93-12	Spring washer GB93-12	3	
13	910400100008	大垫圈GB97.1-12-200HV	Flat washer GB97.1-12-200HV	2	
14	910200200098	螺钉GB70.1-M12x30-8.8	Screw GB70.1 M12x30-8.8	4	
15	910400100008	平垫圈GB97.1-12-200HV	Flat washer GB97.1-12-200HV	2	
16	253522020024	孔塞30	Cover 30	4	
17	255022020002	防护罩二(异型管)	Protective cover 2	1	
18	255056510001	后把手开关	Rear handle switch	4	
19	910400500005	弹簧垫圈GB93-6	Spring washer GB93-6	4	
20	910400100005	平垫圈GB97.1-6-200HV	Washer GB97.1-6-200HV	2	
21	910200200036	螺钉GB70.1-M6x20-8.8	Screw GB70.1-M6x20-8.8	4	



256898501040 货叉/FORK						
序号/NO	编码/SN	名称	Name	数量/QTY	备注/Remark	
A	940100100008	挂钩II A型货叉120x40x1070	Fork 120x40x1070	2	2.5t	
	940100100010	挂钩II A型货叉120x40x1150	Fork 120x40x1150	2	2.5t	
	940100100009	挂钩II A型货叉120x40x1220	Fork 120x40x1220	2	2.5t	
	940100100011	挂钩II A型货叉120x40x1370	Fork 120x40x1370	2	2.5t	
	940100100012	挂钩II A型货叉120x40x1520	Fork 120x40x1520	2	2.5t	
	940100100030	挂钩II A型货叉120x40x1820	Fork 120x40x1820	2	2.5t	
	940100100044	挂钩II A型货叉120x40x1970	Fork 120x40x1970	2	2.5t	
	940100100046	挂钩II A型货叉120x40x1670	Fork 120x40x1670	2	2.5t	
	940100100013	挂钩III A型货叉125x45x1070	Fork 125x45x1070	2	2.8-3.0t	
	940100100014	挂钩III A型货叉125x45x1150	Fork 125x45x1150	2	2.8-3.0t	
	940100100015	挂钩III A型货叉125x45x1220	Fork 125x45x1220	2	2.8-3.0t	
	940100100016	挂钩III A型货叉125x45x1370	Fork 125x45x1370	2	2.8-3.0t	
	940100100017	挂钩III A型货叉125x45x1520	Fork 125x45x1520	2	2.8-3.0t	
	940100100035	挂钩III A型货叉125x45x1970	Fork 125x45x1970	2	2.8-3.0t	
	940100100039	挂钩III A型货叉125x45x1820	Fork 125x45x1820	2	2.8-3.0t	
	940100100041	挂钩III A型货叉125x45x1670	Fork 125x45x1670	2	2.8-3.0t	
	940100100018	挂钩III A型货叉125x50x1070	Fork 125x50x1070	2	3.5t	
	940100100019	挂钩III A型货叉125x50x1150	Fork 125x50x1150	2	3.5t	
	940100100020	挂钩III A型货叉125x50x1220	Fork 125x50x1220	2	3.5t	
	940100100021	挂钩III A型货叉125x50x1370	Fork 125x50x1370	2	3.5t	
940100100022	挂钩III A型货叉125x50x1520	Fork 125x50x1520	2	3.5t		
940100100031	挂钩III A型货叉125x50x1800	Fork 125x50x1800	2	3.5t		
940100100040	挂钩III A型货叉125x50x1970	Fork 125x50x1970	2	3.5t		
940100100042	挂钩III A型货叉125x50x1670	Fork 125x50x1670	2			
1	▲	货叉体	Fork body	2		
2	253098514101	提销总成	Lift pin assembly	2		

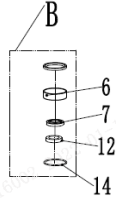
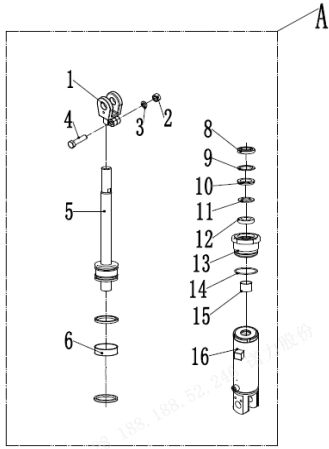


256898501041 倾斜油缸 (30-35Q)/TILT CYLINDER (30-35Q)



序号/NO	编码/SN	名称	Name	数量/QTY	备注/Remark
A	256820510001	油缸 (TL) (TL) $\Phi 80 \times \Phi 35 \times 118$ (6/10)	Oil cylinder(TL) $\Phi 80 \times \Phi 35 \times 118$ (6/10)	1	H \leq 3700, Left
	256820510002	油缸 (TL) (TL) $\Phi 80 \times \Phi 35 \times 88.5$ (6/6)	Oil cylinder(TL) $\Phi 80 \times \Phi 35 \times 88.5$ (6/6)	1	3700<H \leq 5000, Left
	256820510003	油缸 (TL) (TL) $\Phi 80 \times \Phi 35 \times 67$ (6/10)	Oil cylinder(TL) $\Phi 80 \times \Phi 35 \times 67$ (3/6)	1	5000<H, Left
	256820510005	油缸 (TL) (TR) $\Phi 80 \times \Phi 35 \times 118$ (6/10)	Oil cylinder(TR) $\Phi 80 \times \Phi 35 \times 118$ (6/10)	1	H \leq 3700, Right
	256820510006	油缸 (TL) (TR) $\Phi 80 \times \Phi 35 \times 88.5$ (6/6)	Oil cylinder(TR) $\Phi 80 \times \Phi 35 \times 88.5$ (6/6)	1	3700<H \leq 5000, Right
	256820510007	油缸 (TL) (TR) $\Phi 80 \times \Phi 35 \times 67$ (6/10)	Oil cylinder(TR) $\Phi 80 \times \Phi 35 \times 67$ (3/6)	1	5000<H, Right
B	256198510006	密封件修理包(倾斜缸)	Seal kits (tlited cylinder)	2	
1	▲	直通式滑脂嘴Z1/8	Grease mouth Z1/8	2	
2	▲	耳环	Earring	2	
3	▲	关节轴承GE30ES	Bearing GE30ES	2	
4	▲	挡圈47	Circlip 47	2	
5	▲	螺母M14	Nut M14	2	
6	▲	垫圈14	Washer14	2	
7	▲	螺栓M14x55	Bolt M14x55	2	
8	▲	活塞体总成	Piston body assembly	2	
9	▲	Yx型密封圈	Yx seal ring	2	
10	▲	支承环D63x20x2.5	Support ring	2	
11	▲	防尘圈	Dust ring	2	
12	▲	挡圈52	Circlip 52	2	
13	▲	挡圈	Circlip	2	
14	▲	挡片48x30x3	Catch 48x30x3	2	
15	▲	U型密封圈	Useal ring 48x30x10	2	
16	▲	导向套	Guide sleeve	2	
17	▲	O型密封圈	O seal ring 63x3.1	2	
18	▲	钢背轴承3025	Bearing 3025	2	
19	▲	缸筒总成	Cylinder barrel assembly	2	
20	▲	钢背轴承3040	Bearing 3040	2	

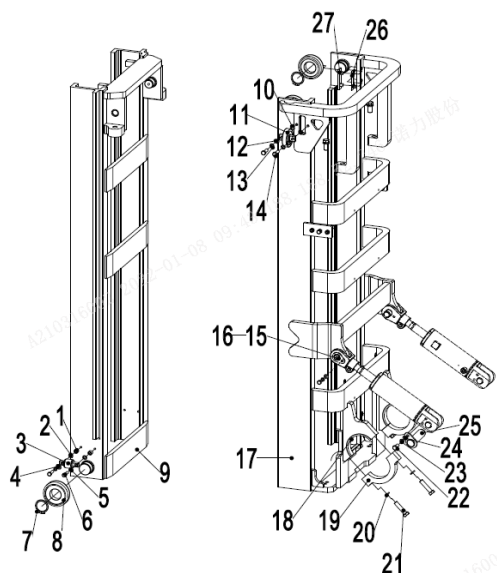
256898501042 倾斜油缸 (25-28Q)/TILT CYLINDER (25-28Q)



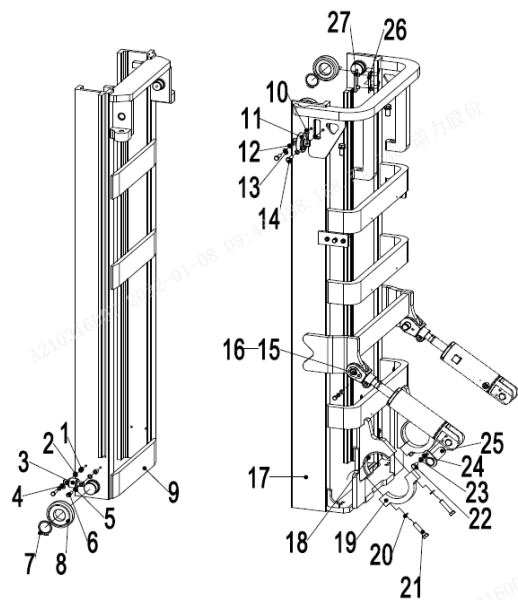
序号/NO	编码/SN	名称	Name	数量/QTY	备注/Remark
A	256720510001	油缸 (TL) $\Phi 70 \times \Phi 32 \times 118$ (6/10)	Oil cylinder(TL) $\Phi 70 \times \Phi 32 \times 118$ (6/10)	1	$H \leq 3700$, Left
	256720510002	油缸 (TL) $\Phi 70 \times \Phi 32 \times 88.5$ (6/6)	Oil cylinder(TL) $\Phi 70 \times \Phi 32 \times 88.5$ (6/6)	1	$3700 < H \leq 5000$, Left
	256720510003	油缸 (TL) $\Phi 70 \times \Phi 32 \times 67$ (3/6)	Oil cylinder(TL) $\Phi 70 \times \Phi 32 \times 67$ (3/6)	1	$5000 < H$, Left
	256720510005	油缸 (TR) $\Phi 70 \times \Phi 32 \times 118$ (6/10)	Oil cylinder(TR) $\Phi 70 \times \Phi 32 \times 118$ (6/10)	1	$H \leq 3700$, Right
	256720510006	油缸 (TR) $\Phi 70 \times \Phi 32 \times 88.5$ (6/6)	Oil cylinder(TR) $\Phi 70 \times \Phi 32 \times 88.5$ (6/6)	1	$3700 < H \leq 5000$, Right
	256720510007	油缸 (TR) $\Phi 70 \times \Phi 32 \times 67$ (3/6)	Oil cylinder(TR) $\Phi 70 \times \Phi 32 \times 67$ (3/6)	1	$5000 < H$, Right
B	255098510006	密封件修理包 (倾斜缸)	Seal kits (titled cylinder)	2	
1	▲	耳环	Earring	2	
2	▲	螺母M14	NutM14	2	
3	▲	垫圈14	Washer14	2	
4	▲	螺栓M14x55	BoltM14x55	2	
5	▲	活塞杆	Piston rod	1	
6	▲	支承环D63x20x2.5	Support ring D60x20x2.5	2	
7	▲	Yx型密封圈D63X60X6	Yx seal ring D63x60x6	2	
8	▲	防尘圈	Dust ring	2	
9	▲	挡圈47	Circlip 47	2	
10	▲	挡圈	Circlip	2	
11	▲	挡片48x30x3	Catch 48x30x3	2	
12	▲	U型密封圈	Useal ring 48x30x10	2	
13	▲	导向套	Guide sleeve	2	
14	▲	O型密封圈63x3.1	O seal ring 63x3.1	2	
15	▲	钢背轴承3025	Bearing 3025	2	
16	▲	缸筒总成	Cylinder barrel assembly	2	

256898501043 门架(标准门架25-28Q)/MAST(stand mast25-28Q)

序号/NO	编码/SN	名称	Name	数量/QTY	备注/Remark
1	255038020008	调整套	Adjusting sleeve	4	
2	255038020009	调整垫	Adjustable pad	8	
3	940200200005	侧滚轮Φ42-CD=68	Side rollerΦ42 - CD = 68	2	
4	910400100007	平垫圈GB97.1-10-200HV	Washer GB97.1-10-200HV	8	
5	910400500007	弹簧垫圈GB93-10	Spring washer GB93-10	8	
6	910100300039	螺栓GB5783-M10x40-8.8	Bolt GB5783 M10x40-8.8	4	
7	910401300020	轴用弹性挡圈GB894.1-40	Elastic retaining ring GB894.1-40 for shaft	4	
8	940200100020	主滚轮Φ119.2xΦ55x34	Roller Φ119.2xΦ55x34	4	
	940200100021	主滚轮Φ119.6xΦ55x34	Roller Φ119.6xΦ55x34	4	
	940200100022	主滚轮Φ120xΦ55x34	Roller Φ120xΦ55x34	4	
9	256744012001	内门架焊合(2000)	Mast (2000)	1	2.5t
	256744012002	内门架焊合(2500)	Mast (2500)	1	2.5t
	256744012003	内门架焊合(3000)	Mast (3000)	1	2.5t
	256744012004	内门架焊合(3300)	Mast (3300)	1	2.5t
	256744012005	内门架焊合(3500)	Mast (3500)	1	2.5t
	256744012006	内门架焊合(3600)	Mast (3600)	1	2.5t
	256744012007	内门架焊合(3700)	Mast (3700)	1	2.5t
	256744012008	内门架焊合(4000)	Mast (4000)	1	2.5t
	256744012009	内门架焊合(4300)	Mast (4300)	1	2.5t
	256744012010	内门架焊合(4500)	Mast (4500)	1	2.5t
	256744012011	内门架焊合(5000)	Mast (5000)	1	2.5t
	256744012012	内门架焊合(5500)	Mast (5500)	1	2.5t
	256744012013	内门架焊合(6000)	Mast (6000)	1	2.5t
	256844012001	内门架焊合(2000)	Mast (2000)	1	2.8t
	256844012002	内门架焊合(2500)	Mast (2500)	1	2.8t
	256844012003	内门架焊合(3000)	Mast (3000)	1	2.8t
	256844012004	内门架焊合(3300)	Mast (3300)	1	2.8t
	256844012005	内门架焊合(3500)	Mast (3500)	1	2.8t
	256844012006	内门架焊合(3600)	Mast (3600)	1	2.8t
	256844012007	内门架焊合(3700)	Mast (3700)	1	2.8t
256844012008	内门架焊合(4000)	Mast (4000)	1	2.8t	



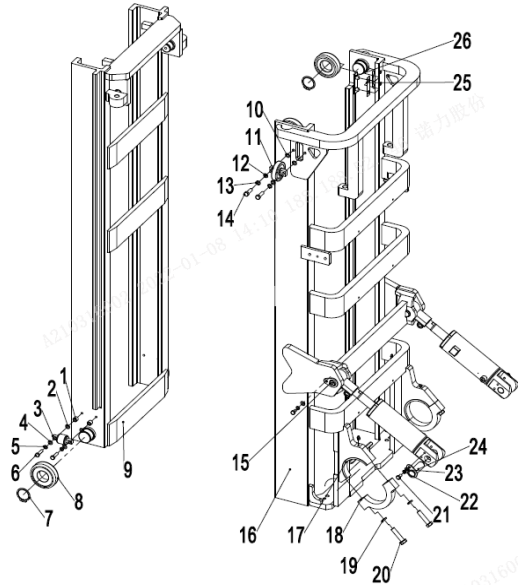
256898501043 门架(标准门架25-28Q)/MAST(stand mast25-28Q)



序号/NO	编码/SN	名称	Name	数量/QTY	备注/Remark
9	256844012009	内门架焊合(4300)	Mast (4300)	1	2.8t
	256844012010	内门架焊合(4500)	Mast (4500)	1	2.8t
	256844012011	内门架焊合(5000)	Mast (5000)	1	2.8t
	256844012012	内门架焊合(5500)	Mast (5500)	1	2.8t
	256844012013	内门架焊合(6000)	Mast (6000)	1	
10	255038020009	调整垫	Adjustable pad	4	
11	940200200002	侧滚轮 Φ87-CD=55	Side roller Φ87-CD=55	2	
12	910400100008	平垫圈GB97.1-12-200HV	Washer GB97.1-12-200HV	4	
13	910400500008	弹簧垫圈GB93-12	Washer GB93-12	6	
14	910100300050	螺栓GB5783-M12x30-8.8	Bolt GB5783-M12x30-8.8	4	
15	256844510001	带耳轴 Φ30x94	AxleΦ30x94	2	
16	272344021080	耐磨套 Φ30xΦ38x25	the wear-proof casing	2	
17	256744011001	外门架焊合(2000)	Mast (2000)	1	
	256744011002	外门架焊合(2500)	Mast (2500)	1	
	256744011003	外门架焊合(3000)	Mast (3000)	1	
	256744011004	外门架焊合(3300)	Mast (3300)	1	
	256744011005	外门架焊合(3500)	Mast (3500)	1	
	256744011006	外门架焊合(3600)	Mast (3600)	1	
	256744011007	外门架焊合(3700)	Mast (3700)	1	
	256744011008	外门架焊合(4000)	Mast (4000)	1	
	256744011009	外门架焊合(4300)	Mast (4300)	1	
	256744011010	外门架焊合(4500)	Mast (4500)	1	
	256744011011	外门架焊合(5000)	Mast (5000)	1	
	256744011012	外门架焊合(5500)	Mast (5500)	1	
256744011013	外门架焊合(6000)	Mast (6000)	1		
18	254144020063	轴瓦	Bearing bush	2	
19	255044020005	支座盖	Bearing cover	2	
20	910400500010	弹簧垫圈GB93-16	Washer GB93-16	6	
21	910100200016	螺栓GB5785-M16x1.5x70-8.8	Bolt GB5785-M16x1.5x70-8.8	4	
22	910100300035	螺栓GB5783-M10x20-8.8	Bolt GB5783-M10x20-8.8	4	
23	910400100007	平垫圈GB97.1-10-200HV	Washer GB97.1-10-200HV	8	

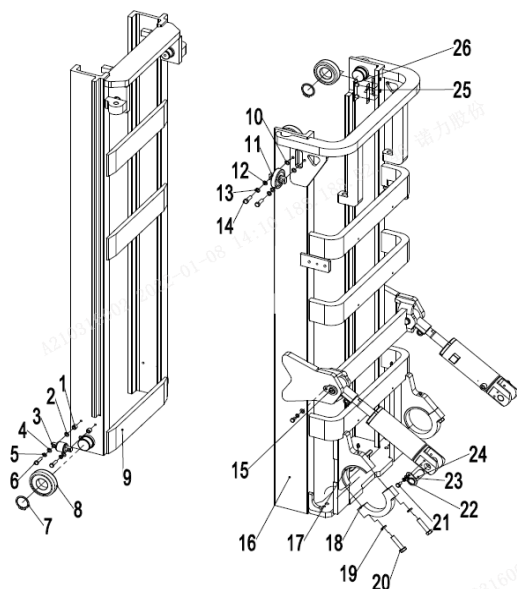
256898501044 门架(标准门架30-35Q)/MAST(stand mast30-35Q)

序号/NO	编码/SN	名称	Name	数量/QTY	备注/Remark
1	255038020008	调整套	Adjusting sleeve	4	
2	255038020009	调整垫	Adjustable pad	8	
3	940200200005	侧滚轮Φ42-CD=68	Side rollerΦ42 - CD = 68	2	
4	910400100007	平垫圈GB97.1-10-200HV	Washer GB97.1-10-200HV	8	
5	910400500007	弹簧垫圈GB93-10	Spring washer GB93-10	8	
6	910100300039	螺栓GB5783-M10x40-8.8	Bolt GB5783 M10x40-8.8	4	
7	910401300020	轴用弹性挡圈GB894.1-40	Elastic retaining ring GB894.1-40 for shaft	4	
8	940200100020	主滚轮Φ119.2xΦ55x34	Roller Φ119.2xΦ55x34	4	
	940200100021	主滚轮Φ119.6xΦ55x34	Roller Φ119.6xΦ55x34	4	
	940200100022	主滚轮Φ120xΦ55x34	Roller Φ120xΦ55x34	4	
9	256844012001	内门架焊合(2000)	Inner Mast (2000)	1	3.0t
	256844012002	内门架焊合(2500)	Inner Mast (2500)	1	3.0t
	256844012003	内门架焊合(3000)	Inner Mast (3000)	1	3.0t
	256844012004	内门架焊合(3300)	Inner Mast (3300)	1	3.0t
	256844012005	内门架焊合(3500)	Inner Mast (3500)	1	3.0t
	256844012006	内门架焊合(3600)	Inner Mast (3600)	1	3.0t
	256844012007	内门架焊合(3700)	Inner Mast (3700)	1	3.0t
	256844012008	内门架焊合(4000)	Inner Mast (4000)	1	3.0t
	256844012009	内门架焊合(4300)	Inner Mast (4300)	1	3.0t
	256844012010	内门架焊合(4500)	Inner Mast (4500)	1	3.0t
	256844012011	内门架焊合(5000)	Inner Mast (5000)	1	3.0t
	256844012012	内门架焊合(5500)	Inner Mast (5500)	1	3.0t
	256844012013	内门架焊合(6000)	Inner Mast (6000)	1	3.0t
	256844012051	内门架焊合(2000)	Inner mast(2000)	1	3.5t
	256844012052	内门架焊合(2500)	Inner mast(2500)	1	3.5t
	256844012053	内门架焊合(3000)	Inner mast(2700)	1	3.5t
	256844012054	内门架焊合(3300)	Inner mast(3000)	1	3.5t
	256844012055	内门架焊合(3500)	Inner mast(3300)	1	3.5t
	256844012056	内门架焊合(3600)	Inner mast(3500)	1	3.5t
	256844012057	内门架焊合(3700)	Inner mast(3700)	1	3.5t
256844012058	内门架焊合(4000)	Inner mast(4000)	1	3.5t	

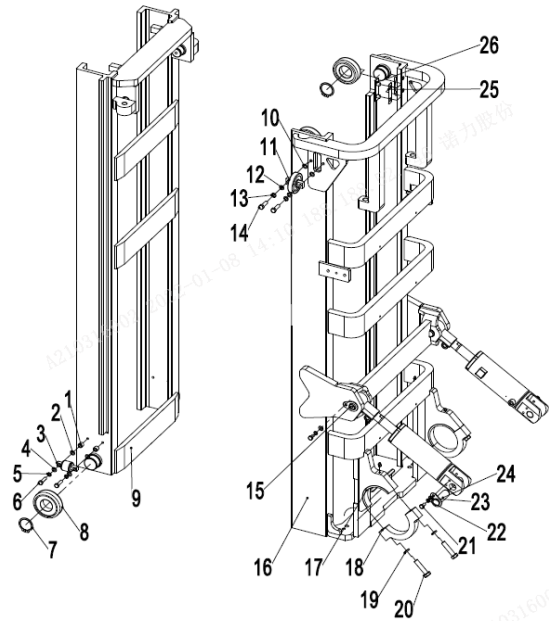


256898501044 门架(标准门架30-35Q)/MAST(stand mast30-35Q)

序号/NO	编码/SN	名称	Name	数量/QTY	备注/Remark
9	256844012059	内门架焊合(4300)	Inner mast(4300)	1	3.5t
	256844012060	内门架焊合(4500)	Inner mast(4500)	1	3.5t
	256844012061	内门架焊合(5000)	Inner mast(5000)	1	3.5t
	256844012062	内门架焊合(5500)	Inner mast(5500)	1	3.5t
	256844012063	内门架焊合(6000)	Inner mast(6000)	1	3.5t
10	255038020009	调整垫	Adjustable pad	4	
11	940200200002	侧滚轮 Φ87-CD=55	Side roller Φ87-CD=55	2	
12	910400100008	平垫圈GB97.1-12-200HV	Washer GB97.1-12-200HV	4	
13	910400500008	弹簧垫圈GB93-12	Washer GB93-12	6	
14	910100300050	螺栓GB5783-M12x30-8.8	Bolt GB5783-M12x30-8.8	4	
15	256844510001	带耳轴 Φ30x94	Outer mast(3600)	1	3.0t
16	256844011001	外门架焊合(2000)	Outer mast(2000)	1	3.0t
	256844011002	外门架焊合(2500)	Outer mast(2500)	1	30Q
	256844011003	外门架焊合(3000)	Outer mast(3000)	1	30Q
	256844011004	外门架焊合(3300)	Outer mast(3300)	1	30Q
	256844011005	外门架焊合(3500)	Outer mast(3500)	1	30Q
	256844011006	外门架焊合(3600)	Outer mast(3600)	1	30Q
	256844011007	外门架焊合(3700)	Outer mast(3600)	1	30Q
	256844011008	外门架焊合(4000)	Outer mast(4000)	1	30Q
	256844011009	外门架焊合(4300)	Outer mast(4300)	1	30Q
	256844011010	外门架焊合(4500)	Outer mast(4500)	1	30Q
	256844011011	外门架焊合(5000)	Outer mast(5000)	1	30Q
	256844011012	外门架焊合(5500)	Outer mast(5500)	1	30Q
	256844011013	外门架焊合(6000)	Outer mast(6000)	1	30Q
	256844011051	外门架焊合(2000)	Outer mast(2000)	1	35Q
	256844011052	外门架焊合(2500)	Outer mast(2500)	1	35Q
	256844011053	外门架焊合(3000)	Outer mast(3000)	1	35Q
	256844011054	外门架焊合(3300)	Outer mast(3300)	1	35Q
	256844011055	外门架焊合(3500)	Outer mast(3500)	1	35Q
	256844011056	外门架焊合(3600)	Outer mast(3600)	1	35Q
	256844011057	外门架焊合(3700)	Outer mast(3600)	1	35Q

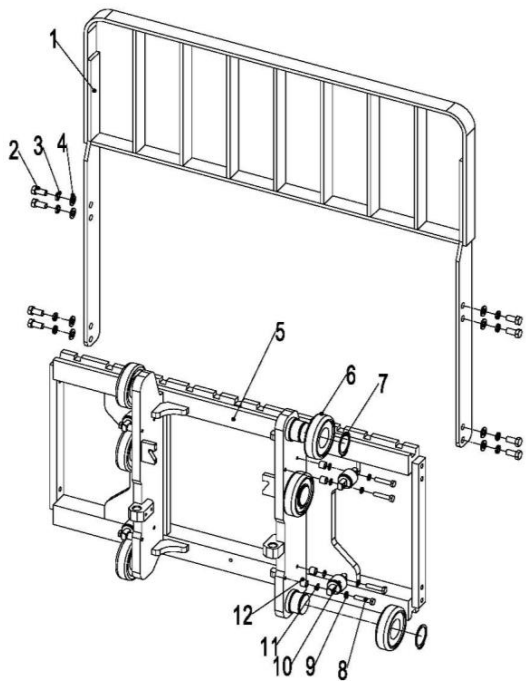


256898501044 门架(标准门架30-35Q)/MAST(stand mast30-35Q)



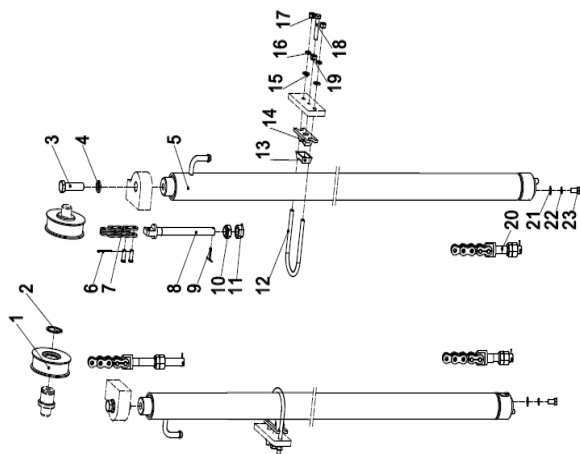
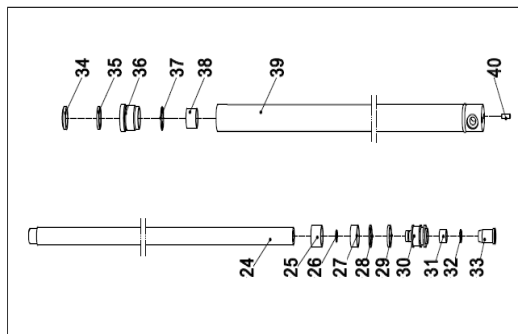
序号/NO	编码/SN	名称	Name	数量/QTY	备注/Remark
16	256844011058	外门架焊合(4000)	Outer mast(4000)	1	35Q
	256844011059	外门架焊合(4300)	Outer mast(4300)	1	35Q
	256844011060	外门架焊合(4500)	Outer mast(4500)	1	35Q
	256844011061	外门架焊合(5000)	Outer mast(5000)	1	35Q
	256844011062	外门架焊合(5500)	Outer mast(5500)	1	
	256844011063	外门架焊合(6000)	Outer mast(6000)	1	
17	254144020063	轴瓦	Bearing bush	2	
18	255044020005	支座盖	Bearing cover	2	
19	910400500010	弹簧垫圈GB93-16	Washer GB93-16	6	
20	910100200016	螺栓GB5785-M16x1.5x70-8.8	Bolt GB5785-M16x1.5x70-8.8	4	
21	910100300035	螺栓GB5783-M10x20-8.8	Bolt GB5783-M10x20-8.8	4	
22	910400100007	平垫圈GB97.1-10-200HV	Washer GB97.1-10-200HV	8	
23	910400500007	弹簧垫圈GB93-10	Washer GB93-10	8	
24	255044010057	带耳轴Φ30x82	AxleΦ30x82	2	
25	255044020132	调整垫片t=0.8	Adjusting pad t=0.8	2	
	255044020133	调整垫片t=0.5	Adjusting pad t=0.5	2	
	255044020134	调整垫片t=0.2	Adjusting pad t=0.2	2	
26	255044020131	垫板	Base plate	2	

256898501045 货叉架(标准门架)/FORK ARM CARRIER(stand mast)



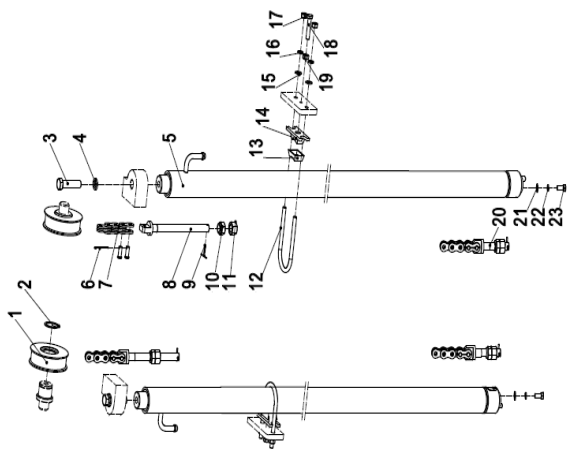
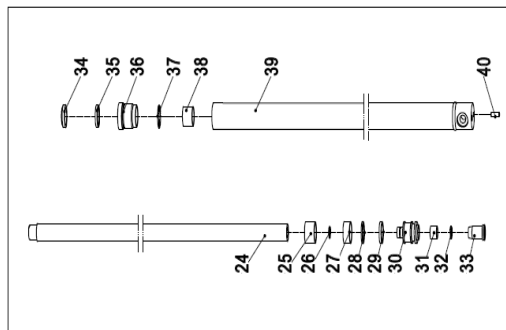
序号/NO	编码/SN	名称	Name	数量/QTY	备注/Remark
1	253540510001	挡货架焊合(1100x10800)	Load backrest welding	1	28-35Q
	256840511001	挡货架焊合1100X1200	Load backrest welding 1100X1200	1	
	255040510001	挡货架焊合(1040x986)	Load backrest welding (1040x986)	1	25Q
	255040510002	挡货架焊合(1040X1300)	Load backrest welding 1040X1300	1	
	255040510003	挡货架焊合(1040X1600)	Load backrest welding (1040x1600)	1	
	251140510001	挡货架焊合(1040x1635)	Load backrest welding (1040x1635)	1	
	252140510101	挡货架焊合(1040×1000)	Load backrest welding (1040x1000)	1	
2	910100300062	螺栓GB5783-M14x30-8.8	Bolt GB5783-M14x30-8.8	4	
3	910400500009	弹簧垫圈GB93-14	Washer GB93-14	4	
4	910400100009	平垫圈GB97.1-14-200HV	Washer GB97.1-14-200HV	4	
5	256738010001	货叉架焊合(标准门架)	Fork carrier weldind (standard mast)	1	25Q
	256838011001	货叉架焊合(标准门架)	Fork carrier weldind (standard mast)	1	28-30Q
	256838011055	货叉架焊合(标准门架35)	Fork carrier weldind (standard mast 35)	1	35Q
6	940200100020	主滚轮 Φ119.2x Φ55x34	Main roller φ119.2xφ55x34	6	选装
	940200100021	主滚轮 Φ119.6x Φ55x34	Main roller φ119.6xφ55x34	6	选装
	940200100022	主滚轮 Φ120x Φ55x34	Main roller φ120xφ55x34	6	选装
7	910401300026	轴用弹性挡圈GB894.1-55	Circlip GB894.1-55	6	
8	910100300042	螺栓GB5783-M10x60-8.8	Bolt GB5783-M10x60-8.8	8	
9	910400500007	弹簧垫圈GB93-10	Washer GB93-10	8	
10	940200200005	侧滚轮 Φ42-CD=68	Side roller Φ 42 - CD = 68	4	
11	255038020009	调整垫	Adjustable pad	24	
12	255038020008	调整套	Adjusting sleeve	8	

256898501046 起升油缸 (标准门架) /LIFTING PIPE (stand mast)



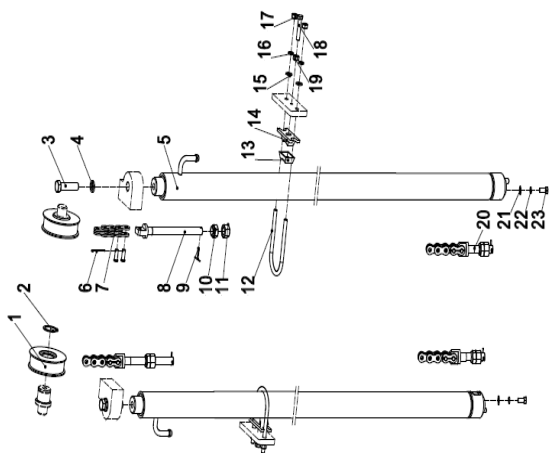
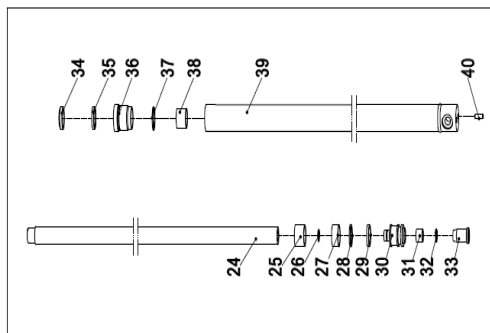
序号/NO	编码/SN	名称	Name	数量/QTY	备注/Remark
1	940200500005	链轮轴承780708K-φ110xφ40x27	Chain wheel bearing780708K-φ110xφ40x27	2	
2	910401300020	轴用弹性挡圈GB894.1-40	Circlip GB894.1-40	2	
3	910400500010	弹簧垫圈GB93-16	Washer GB93-16	4	
4	910100400029	螺栓GB5786-M16x1.5x40-8.8	Bolt GB5786-M16x1.5x40-8.8	2	
5	255044010043	油缸 (H=2000)	Cylinder Φ56xΦ45x995(H=2000)	2	25Q
	255044010044	油缸 (H=2500)	Cylinder Φ56xΦ45x1245(H=2500)	2	
	255044010055	油缸 (H=3000)	Cylinder Φ56xΦ45x1495(H=3000)	2	
	255044010045	油缸 (H=3300)	Cylinder Φ56xΦ45x1645(H=3300)	2	
	255044010046	油缸 (H=3500)	Cylinder Φ56xΦ45x1745(H=3500)	2	
	255044010047	油缸 (H=3600)	Cylinder Φ56xΦ45x1795(H=3600)	2	
	255044010048	油缸 (H=3700)	Cylinder Φ56xΦ45x1845(H=3700)	2	
	255044010049	油缸 (H=4000)	Cylinder Φ56xΦ45x2045(H=4000)	2	
	255044010050	油缸 (H=4300)	Cylinder Φ56xΦ45x2195(H=4300)	2	
	255044010051	油缸 (H=4500)	Cylinder Φ56xΦ45x2295(H=4500)	2	
	255044010052	油缸 (H=5000)	Cylinder Φ56xΦ45x2595(H=5000)	2	
	255044010053	油缸 (H=5500)	Cylinder Φ56xΦ45x2845(H=5500)	2	
	255044010054	油缸 (H=6000)	Cylinder Φ56xΦ45x3095(H=6000)	2	
	256044016001	油缸 (H=2000)	Cylinder Φ56xΦ45x995(H=2000)	2	28Q/30Q/35Q
	256044016002	油缸 (H=2500)	Cylinder Φ56xΦ45x1245(H=2500)	2	
	256044016003	油缸 (H=3000)	Cylinder Φ56xΦ45x1495(H=3000)	2	
	256044016004	油缸 (H=3300)	Cylinder Φ56xΦ45x1645(H=3300)	2	
	256044016005	油缸 (H=3500)	Cylinder Φ56xΦ45x1745(H=3500)	2	
	256044016006	油缸 (H=3600)	Cylinder Φ56xΦ45x1825(H=3600)	2	
	256044016007	油缸 (H=3700)	Cylinder Φ56xΦ45x1845(H=3700)	2	
	256044016008	油缸 (H=4000)	Cylinder Φ56xΦ45x1995(H=4000)	2	
	256044016009	油缸 (H=4300)	Cylinder Φ56xΦ45x2120(H=4300)	2	
	256044016010	油缸 (H=4500)	Cylinder Φ56xΦ45x2245(H=4500)	2	
	256044016011	油缸 (H=5000)	Cylinder Φ56xΦ45x2495(H=5000)	2	
256044016012	油缸 (H=5500)	Cylinder Φ56xΦ45x2745(H=5500)	2		
256044016013	油缸 (H=6000)	Cylinder Φ56xΦ45x2995(H=6000)	2		
6	910600600022	开口销GB91-2.5x40	Split pin 2.5x40	2	

256898501046 起升油缸 (标准门架) /LIFTING PIPE (stand mast)



序号/NO	编码/SN	名称	Name	数量/QTY	备注/Remark
7	910900400014	板式链GB6074-LH1623	LH1623 chain	2	25Q/28Q/30Q
	910900400015	板式链GB6074-LH1634	LH1634 chain	2	35Q
8	255044020157	链条螺栓M18x1.5x217	Joint	2	25Q/28Q/30Q
	254044020062	链条螺栓M20x1.5x224	Joint	2	35Q
9	910300600030	开口销GB91-3.2x30	Split pin 3.2x30	2	
10	255044020158	球面螺母M18x1.5	Nut M18x1.5	2	25Q/28Q/30Q
	910300800002	螺母GB812-M20x1.5	Nut M20x1.5	2	35Q
11	910300400007	螺母GB6173-M18x1.5-05	Nut M18x1.5	2	25Q/28Q/30Q
	255013520002	螺母M20x1.5	Nut M20x1.5	2	35Q
12	255044020128	U形螺栓Φ68	Fixing ring	2	
13	255044020129	防护罩	Rubber bushing	2	
14	255044020130	固定座(油缸)	Fixing seat	2	
15	910400100007	平垫圈GB97.1-16-200HV	Washer GB97.1-16-200HV	4	
16	910400500007	弹簧垫圈GB93-10	Washer GB93-10	4	
17	910300200002	螺母GB6171-M10x1.25-10	Nut GB6171-M10x1.25-10	4	
18	910100300041	螺栓GB5783-M10x50-8.8	Bolt GB5783-M10x50-8.8	2	
19	910300100007	螺母GB6170-M10-10	Nut GB6170-M10-10	2	
20	255044020156	链条螺栓M18x1.5x102	Joint	2	25Q/28Q/30Q
20	254044020064	链条螺栓M20x1.5x124	Joint	2	35Q
21	910400100008	平垫圈GB97.1-12-200HV	Washer GB97.1-12-200HV	2	
22	910400500008	弹簧垫圈GB93-12	Washer GB93-12	2	
23	910100400009	螺栓GB5786-M12x1.25x25-8.8	Bolt GB5786-M12x1.25x25-8.8	2	
24	▲	活塞杆	Piston rod	1	
25	▲	调整套40.5x49xL2	Adjusting bushing 40.5x49xL2	1	
26	▲	钢丝挡圈	Circlip	1	
27	▲	支承环56x20x2.5	Bearing 50x20x2.5	1	
28	▲	挡片56x45x3	Catch 50x40x3	1	
29	▲	孔用密封圈	Seal ring 50x40x6	1	
30	▲	活塞	Piston rod	1	
31	▲	铜套	Copper bushing	1	
32	▲	钢丝挡圈	Circlip	1	

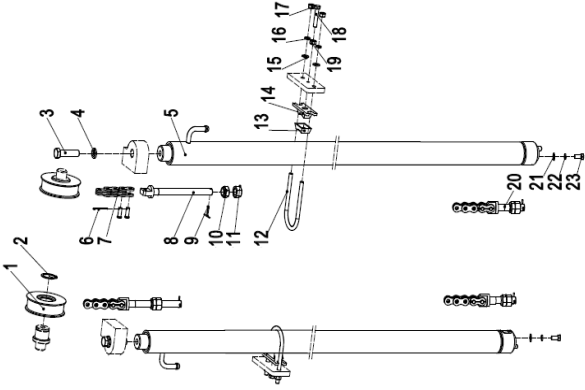
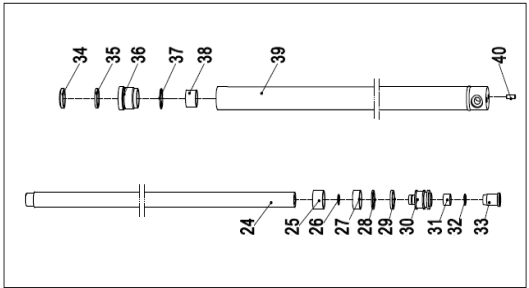
256898501046 起升油缸 (标准门架) /LIFTING PIPE (stand mast)



序号/NO	编码/SN	名称	Name	数量/QTY	备注/Remark
33	▲	缓冲环	Buffering ring	1	
34	▲	防尘圈	Dust ringDKB40x52x7/10	1	
35	▲	轴用密封圈	Seal ring 40x50x6	1	
36	▲	导向套	Guide sleeve	1	
37	▲	O型密封圈	O ring 49.7x2.4	1	
38	▲	钢背轴承4530	Bearing 4030	1	
39	▲	缸体	Cylinder	1	
40	▲	圆柱销D10x26	Dowel pin	1	
41	256098510001	密封件修理包(标准门架起升缸)	Seal kits(standard mast lifting cylinder)	2	包含/Inc. 27. 29. 34. 35. 37
	255098510001	密封件修理包(标准门架起升缸)	Seal kits(standard mast lifting cylinder)	2	包含/Inc.29. 34. 35. 37
A	255043510139	起升链条LH1623-79/H=3000	Lifting chain LH1623-77	2	25Q/28Q/30Q
	255044510133	起升链条LH1623-59/H=2000	Lifting chain LH1623-57	2	
	255043510085	起升链条LH1623-69/H=2500	Lifting chain LH1623-67	2	
	255044510140	起升链条LH1623-85/H=3300	Lifting chain LH1623-83	2	
	255043510088	起升链条LH1623-89/H=3500	Lifting chain LH1623-87	2	
	255044010107	起升链条LH1623-91/H=3600	Lifting chain LH1623-89	2	
	253543510066	起升链条LH1623-93/H=3700	Lifting chain LH1623-91	2	
	255043510107	起升链条LH1623-101/H=4000	Lifting chain LH1623-99	2	
	253544510027	起升链条LH1623-107/H=4300	Lifting chain LH1623-105	2	
	255043510090	起升链条LH1623-111/H=4500	Lifting chain LH1623-109	2	
	253511010064	起升链条LH1623-121/H=5000	Lifting chain LH1623-121	2	
	256044014001	起升链条LH1623-133/H=5500	Lifting chain LH1623-131	2	
	256044014002	起升链条LH1623-143/H=6000	Lifting chain LH1623-141	2	
	A	263044510025	起升链条LH1634-59/H=2000	Lifting chain LH1634-59	
256144014001		起升链条LH1634-69/H=2500	Lifting chain LH1634-69	2	
263044010042		起升链条LH1634-79/H=3000	Lifting chain LH1634-79	2	
263043510065		起升链条LH1634-85/H=3300	Lifting chain LH1634-85	2	
263044510006		起升链条LH1634-89/H=3500	Lifting chain LH1634-89	2	
254044010057		起升链条LH1634-91/H=3600	Lifting chain LH1634-91	2	
254044010058		起升链条LH1634-93/H=3700	Lifting chain LH1634-93	2	
254044510027		起升链条LH1634-101/H=4000	Lifting chain LH1634-101	2	

256898501046 起升油缸 (标准门架) /LIFTING PIPE (stand mast)

序号/NO	编码/SN	名称	Name	数量/QTY	备注/Remark
A	263044510008	起升链条LH1634-107/H=4300	Lifting chain LH1634-107	2	
	254044010061	起升链条LH1634-111/H=4500	Lifting chain LH1634-111	2	
	256144014002	起升链条LH1634-121/H=5000	Lifting chain LH1634-121	2	
	256144014003	起升链条LH1634-133/H=5500	Lifting chain LH1634-133	2	
	256144014004	起升链条LH1634-143/H=6000	Lifting chain LH1634-143	2	35Q



256898501047 门架起升管路 (标准门架) /SINGLE ADDITIONAL TUBE(stand mast)

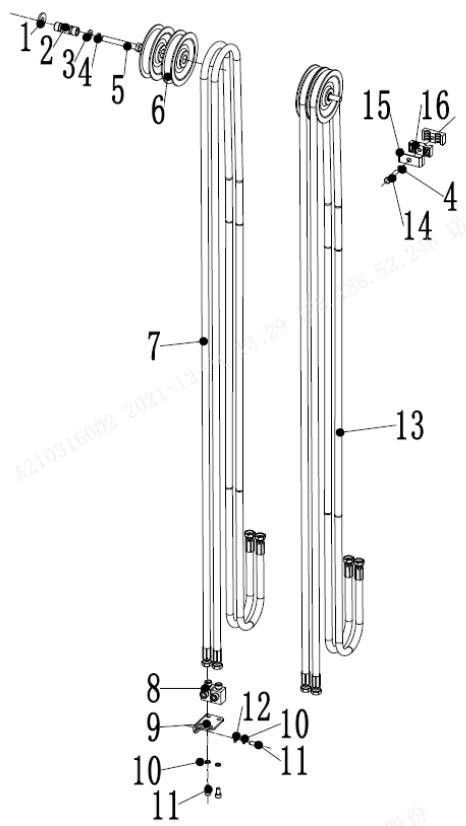
序号/NO	编码/SN	名称	Name	数量/QTY	备注/Remark
1	255044020043	卡箍	Hoop	1	
2	921600400001	扎带4x250	Strip 4x250	1	
3	255044020042	压板	Press plate	1	
4	▲	回油管1L=620	Oil return hose1L=620	2	H=2000
	▲	回油管1L=870	Oil return hose1L=870	2	H=2500
	▲	回油管1L=1120	Oil return hose1L=1120	2	H=3000
	▲	回油管1L=1270	Oil return hose1L=1270	2	H=3300
	▲	回油管1L=1370	Oil return hose1L=1370	2	H=3500
	▲	回油管1L=1420	Oil return hose1L=1420	2	H=3600
	▲	回油管1L=1470	Oil return hose1L=1470	2	H=3700
	▲	回油管1L=1620	Oil return hose1L=1620	2	H=4000
	▲	回油管1L=1770	Oil return hose1L=1770	2	H=4300
	▲	回油管1L=1920	Oil return hose1L=1920	2	H=4500
	▲	回油管1L=2120	Oil return hose1L=2120	2	H=5000
▲	回油管1L=2370	Oil return hose1L=2370	2	H=5500	
▲	回油管1L=2620	Oil return hose1L=2620	2	H=6000	
5	255044020118	接头(三通)	Joint	1	
6	255044020150	液压管总成(直) 15-L360-2SC-60°	Hydraulic hose assembly 15-L360-2SC-60°	1	
7	950700300003	限速阀XSF-F16L-60	Speed limit valve XSF-F16L-60	1	
8	910800100040	O形圈-外24x2.4	Oring 24x2.4	1	
9	255044010040	接头(三通)	Joint	1	
10	252144029001	液压管总成(135°) 15-L850-2SC-60°	Hydraulic hose assembly(135°)15-L850-2SC	1	
11	921600400003	扎带(带扣)P-N156-00646	Strip P-N156-00646	2	
12	▲	回油管2	Oil return hose2	1	
13	256898520001	防爆阀	explosion-proof valve	1	
14	910800100003	O形圈-内17x2.65	Oring 17x2.65	3	

256898501048 单附加管路(标准门架) SINGLE ADDITIONAL TUBE(stand mast)

序号/NO	编码/SN	名称	Name	数量/QTY	备注/Remark
1	910100100056	螺栓GB5782-M12x90-8.8	Bolt GB5782-M12x90-8.8	1	
2	910400500008	弹簧垫圈GB93-12	WasherGB93-12	1	
3	910400100008	平垫圈GB97.1-12-200HV	Washer GB97.1-12-200HV	1	
4	255030520022	衬套Φ22xΦ13x56	Bush Φ22xΦ13x56	1	
5	255030520021	滑轮Φ110x27(单槽)	Pulley Φ110x27	2	
6	910200200059	螺钉GB70.1-M8x30-8.8	ScrewGB70.1-M8x30-8.8	2	
7	910400500006	弹簧垫圈GB93-8	Washer GB93-8	6	
8	255028520034	胶管固定块	Rubber pipe lump	2	
9	255028520035	管夹安装板	Pipe press fixedly plank	2	
10	255029020022	液压管总成(90°)10-L3050-1SC-60°	Hydraulic hose assembly (90°) 10-L3050-1	2	H=2000
	254127520004	液压管总成(90°)10-L3500-1SC-60°	Hydraulic hose assembly (90°) 10-L3500-1	2	H=2500
	263028520035	液压管总成(90°)10-L4150-1SC-60°	Hydraulic hose assembly (90°) 10-L4150-1	2	H=3000
	253528520029	液压管总成(90°)10-L4350-1SC-60°	Hydraulic hose assembly (90°) 10-L4350-1	2	H=3300
	255027520001	液压管总成(90°)10-L4500-1SC-60°	Hydraulic hose assembly (90°) 10-L4500-1	2	H=3500
	253530520006	液压管总成(90°)10-L4700-1SC-60°	Hydraulic hose assembly (90°) 10-L4700-1	2	H=3700
	253528520033	液压管总成(90°)10-L5150-1SC-60°	Hydraulic hose assembly (90°) 10-L5150-1	2	H=4000
	256027520001	液压管总成(90°)10-L5450-1SC-60°	Hydraulic hose assembly (90°) 10-L5450-1	2	H=4300
	252027520025	液压管总成(90°)10-L5600-1SC-60°	Hydraulic hose assembly (90°) 10-L5600-1	2	H=4500
	256027520002	液压管总成(90°)10-L6250-1SC-60°	Hydraulic hose assembly (90°) 10-L6250-1	2	H=5000
256027520003	液压管总成(90°)10-L6750-1SC-60°	Hydraulic hose assembly (90°) 10-L6750-1	2	H=5500	
256027520004	液压管总成(90°)10-L7250-1SC-60°	Hydraulic hose assembly (90°) 10-L7250-1	2	H=6000	
11	255029020024	接头(锁定弯)8-2xM16x1.5-60°	Joint 8-2XM16x1.5-60°	2	
12	254127520001	安装板	fixedly plank	1	
13	910400100006	平垫圈GB97.1-8-200HV	Washer GB97.1-8-200HV	2	
14	910800100001	O形圈-内9.5x1.8	Oring 9.5x1.8	4	
15	255042520101	液压管总成(90°)10-L500-1SC-60°-0°	Hydraulic hose assembly (90°)10-L500-1SC-	2	
16	256042510004	外置侧移器1100(LH)	Sideshifters(LH)	1	
	253542510001	外置侧移器1100(LD)	Sideshifters(LD)	1	
	256042510002	侧移器总成(卡斯卡特)	Sideshifters(CASCADE)	1	

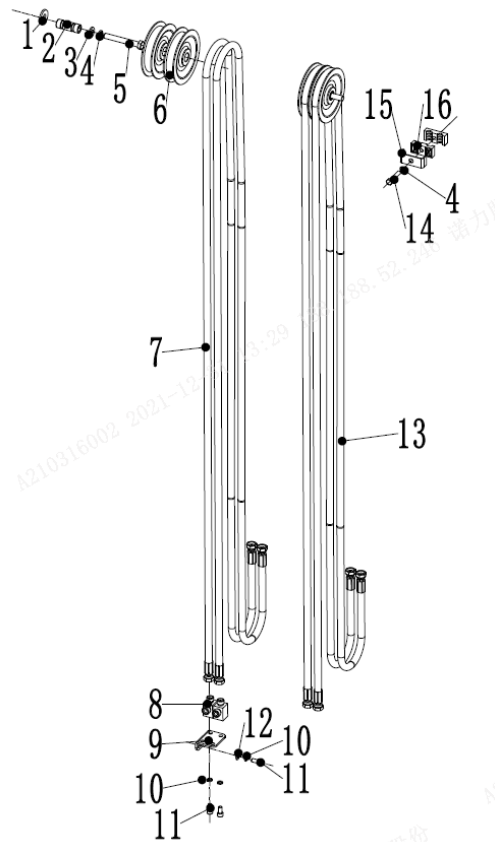
256898501049 双附加管路(标准门架)DOUBLE ADDITIONAL TUBE(stand mast)

序号/NO	编码/SN	名称	Name	数量/QTY	备注/Remark
1	910400200005	大垫圈GB96.1-12-200HV	Big Washer GB96.1-12-200HV	4	
2	255030520022	衬套Φ22xΦ13x56	Bush Φ22xΦ13x56	2	
3	910400100008	平垫圈GB97.1-12-200HV	washer GB97.1-12-200HV	2	
4	910400500008	弹簧垫圈GB93-12	Spring washer GB93-12	12	
5	910100100056	螺栓GB5782-M12x90-8.8	Bolt GB5782-M12x90-8.8	2	
6	255030520021	滑轮Φ110x27(单槽)	Pulley Φ110x27	4	
7	255029020022	液压管总成(90°)10-L3050-1SC-60°	Hydraulic hose assembly (90°) 10-L3050-1	2	H=2000
	254127520004	液压管总成(90°)10-L3500-1SC-60°	Hydraulic hose assembly (90°) 10-L3500-1	2	H=2500
	263028520035	液压管总成(90°)10-L4150-1SC-60°	Hydraulic hose assembly (90°) 10-L4150-1	2	H=3000
	253528520029	液压管总成(90°)10-L4350-1SC-60°	Hydraulic hose assembly (90°) 10-L4350-1	2	H=3300
	255027520001	液压管总成(90°)10-L4500-1SC-60°	Hydraulic hose assembly (90°) 10-L4500-1	2	H=3500
	253530520006	液压管总成(90°)10-L4700-1SC-60°	Hydraulic hose assembly (90°) 10-L4700-1	2	H=3700
	253528520033	液压管总成(90°)10-L5150-1SC-60°	Hydraulic hose assembly (90°) 10-L5150-1	2	H=4000
	256027520001	液压管总成(90°)10-L5450-1SC-60°	Hydraulic hose assembly (90°) 10-L5450-1	2	H=4300
	252027520025	液压管总成(90°)10-L5600-1SC-60°	Hydraulic hose assembly (90°) 10-L5600-1	2	H=4500
	256027520002	液压管总成(90°)10-L6250-1SC-60°	Hydraulic hose assembly (90°) 10-L6250-1	2	H=5000
	256027520003	液压管总成(90°)10-L6750-1SC-60°	Hydraulic hose assembly (90°) 10-L6750-1	2	H=5500
	256027520004	液压管总成(90°)10-L7250-1SC-60°	Hydraulic hose assembly (90°) 10-L7250-1	2	H=6000
8	255029020024	接头(锁定弯)8-2xM16x1.5-60°	Joint 8-2XM16x1.5-60°	4	
9	254127520001	安装板	Plate	2	
10	910400500006	弹簧垫圈GB93-8	Spring washer GB93-8	12	
11	910200200055	螺钉GB70.1-M8x16-8.8	Screw GB70.1-M8x16-8.8	8	
12	910400100006	平垫圈GB97.1-8-200HV	Washer GB97.1-8-200HV	4	
13	256028020001	液压管总成(直)10-L3400-1SC-60°	Hydraulic hose assembly 10-L3400-1SC-60°	2	H=2000
	254131020010	液压管总成(直)10-L3850-1SC-60°	Hydraulic hose assembly 10-L3850-1SC-60°	2	H=2500
	281227511004	液压管总成(直)10-L4500-1SC-60°	Hydraulic hose assembly 10-L4500-1SC-60°	2	H=3000
	275227511002	液压管总成(直)10-L4700-1SC-60°	Hydraulic hose assembly 10-L4700-1SC-60°	2	H=3300
	256028020004	液压管总成(直)10-L4850-1SC-60°	Hydraulic hose assembly 10-L4850-1SC-60°	2	H=3500
	256028020005	液压管总成(直)10-L5050-1SC-60°	Hydraulic hose assembly 10-L5050-1SC-60°	2	H=3600/3700
	281227511007	液压管总成(直)10-L5500-1SC-60°	Hydraulic hose assembly 10-L5500-1SC-60°	2	H=4000
256028020007	液压管总成(直)10-L5800-1SC-60°	Hydraulic hose assembly 10-L5800-1SC-60°	2	H=4300	



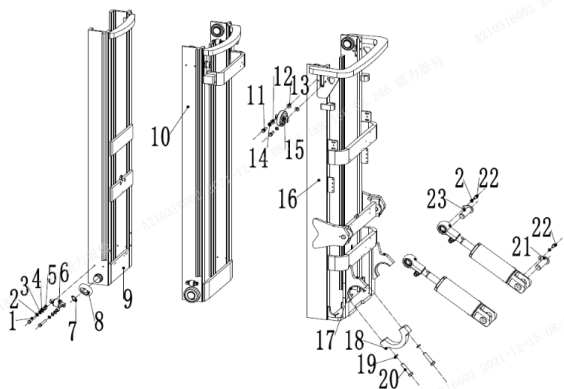
256898501049 双附加管路(标准门架) DOUBLE ADDITIONAL TUBE(stand mast)

序号/NO	编码/SN	名称	Name	数量/QTY	备注/Remark
13	256028020008	液压管总成(直)10-L5950-1SC-60°	Hydraulic hose assembly 10-L5950-1SC-60°	2	H=4500
	256028020009	液压管总成(直)10-L6600-1SC-60°	Hydraulic hose assembly 10-L6600-1SC-60°	2	H=5000
	256028020010	液压管总成(直)10-L7100-1SC-60°	Hydraulic hose assembly 10-L7100-1SC-60°	2	H=5500
	256028020011	液压管总成(直)10-L7600-1SC-60°	Hydraulic hose assembly 10-L7600-1SC-60°	2	H=6000
14	910200200059	螺钉GB70.1-M8x30-8.8	Bolt GB70.1-M8x30-8.8	2	
15	255028520035	安装板(管夹)	Pipe clamp munting plate	4	
16	255028520034	胶管固定块	hose immobilization lump	4	



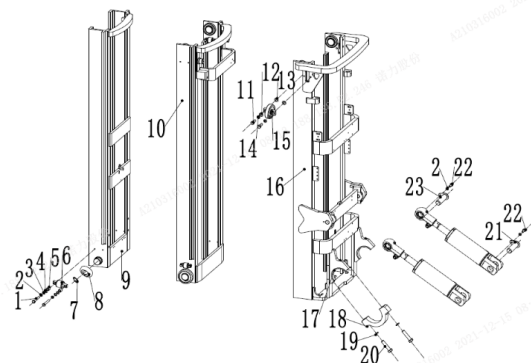
256898501050 门架(三级全自由门架)/MAST (three stage full free)

序号/NO	编码/SN	名称	Name	数量/QTY	备注/Remark
1	910100300039	螺栓GB5783-M10x40-8.8	Bolt GB5783-M10x40-8.8	4	
2	910400500007	弹簧垫圈GB93-10	Washer GB93-10	8	
3	910400100007	平垫圈GB97.1-10-200HV	Washer GB97.1-10-200HV	4	
4	255038020009	调整垫	Adjustable pad	8	
5	255038020008	调整套	Adjusting sleeve	4	
6	940200200005	侧滚轮 Φ42-CD=68	Side rollerΦ42 - CD = 68	2	
7	910401300024	轴用弹性挡圈	Elastic retaining ring for shaft	4	
8	940200100024	主滚轮 Φ111xΦ55x32	RollerΦ111xΦ55x32	4	
	940200100025	主滚轮 Φ111.5xΦ55x32	RollerΦ111.5xΦ55x32	4	
9	256844512001	内门架焊合 3600	Inner mast 3600	1	
	256844512002	内门架焊合 4000	Inner mast 4000	1	
	256844512003	内门架焊合 4350	Inner mast 4350	1	
	256844512004	内门架焊合 4500	Inner mast 4500	1	
	256844512005	内门架焊合 4700	Inner mast 4700	1	
	256844512006	内门架焊合 4800	Inner mast 4800	1	
	256844512007	内门架焊合 5000	Inner mast 5000	1	
	256844512008	内门架焊合 5400	Inner mast 5400	1	
	256844512009	内门架焊合 5500	Inner mast 5500	1	
	256844512010	内门架焊合 6000	Inner mast 6000	1	
	256844512011	内门架焊合 6500	Inner mast 6500	1	
10	256844513001	中门架焊合 3600	Middle mast 3600	1	
	256844513002	中门架焊合 4000	Middle mast 4000	1	
	256844513003	中门架焊合 4350	Middle mast 4350	1	
	256844513004	中门架焊合 4500	Middle mast 4500	1	
	256844513005	中门架焊合 4700	Middle mast 4700	1	
	256844513006	中门架焊合 4800	Middle mast 4800	1	
	256844513007	中门架焊合 5000	Middle mast 5000	1	
	256844513008	中门架焊合 5400	Middle mast 5400	1	
	256844513009	中门架焊合 5500	Middle mast 5500	1	
	256844513010	中门架焊合 6000	Middle mast 6000	1	
256844513011	中门架焊合 6500	Middle mast 6500	1		



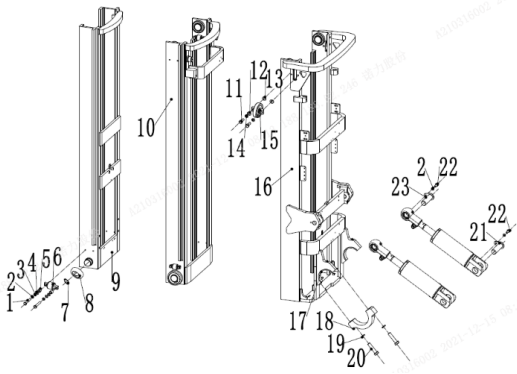
256898501050 门架(三级全自由门架)/MAST (three stage full free)

序号/NO	编码/SN	名称	Name	数量/QTY	备注/Remark
11	910100300050	螺栓GB5783-M12x30-8.8	Bolt GB5783-M12x30-8.8	8	
12	910400100008	平垫圈GB97.1-12-200HV	Washer GB97.1-12-200HV	8	
13	256544020701	垫圈Φ20xΦ13x0.5	Washer Φ20xΦ13x0.5	8	
13	256544020702	垫圈Φ20xΦ13x1	Washer Φ20xΦ13x1	8	
13	256544020703	垫圈Φ20xΦ13x0.2	Washer Φ20xΦ13x0.2	8	
14	910400500008	弹簧垫圈GB93-12	Washer GB93-12	8	
15	940200200002	侧滚轮 Φ87-CD=55	Side roller Φ87-CD=55	4	
16	256844511001	外门架焊合 3600	Outer mast 3600	1	30Q/35Q
	256844511002	外门架焊合 4000	Outer mast 4000	1	30Q/35Q
	256844511003	外门架焊合 4350	Outer mast 4350	1	30Q/35Q
	256844511004	外门架焊合 4500	Outer mast 4500	1	30Q/35Q
	256844511005	外门架焊合 4700	Outer mast 4700	1	30Q/35Q
	256844511006	外门架焊合 4800	Outer mast 4800	1	30Q/35Q
	256844511007	外门架焊合 5000	Outer mast 5000	1	30Q/35Q
	256844511008	外门架焊合 5400	Outer mast 5400	1	30Q/35Q
	256844511009	外门架焊合 5500	Outer mast 5500	1	30Q/35Q
	256844511010	外门架焊合 6000	Outer mast 6000	1	30Q/35Q
	256844511011	外门架焊合 6500	Outer mast 6500	1	30Q/35Q
	256744511001	外门架焊合 3600	Outer mast 3600	1	25Q/28Q
	256744511002	外门架焊合 4000	Outer mast 4000	1	25Q/28Q
	256744511003	外门架焊合 4350	Outer mast 4350	1	25Q/28Q
	256744511004	外门架焊合 4500	Outer mast 4500	1	25Q/28Q
	256744511005	外门架焊合 4700	Outer mast 4700	1	25Q/28Q
	256744511006	外门架焊合 4800	Outer mast 4800	1	25Q/28Q
	256744511007	外门架焊合 5000	Outer mast 5000	1	25Q/28Q
	256744511008	外门架焊合 5400	Outer mast 5400	1	25Q/28Q
	256744511009	外门架焊合 5500	Outer mast 5500	1	25Q/28Q
	256744511010	外门架焊合 6000	Outer mast 6000	1	25Q/28Q
256744511011	外门架焊合 6500	Outer mast 6500	1	25Q/28Q	
17	254144020063	轴瓦	Bearing bush	2	
18	256844021014	支座盖	Bearing cover	2	

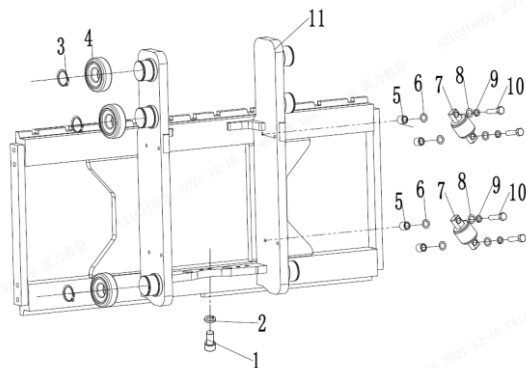


256898501050 门架(三级全自由门架)/MAST (three stage full free)

序号/NO	编码/SN	名称	Name	数量/QTY	备注/Remark
19	910400500010	弹簧垫圈GB93-16	Washer GB93-16	7	
20	910100200016	螺栓GB5785-M16x1.5x70-8.8	Bolt GB5785-M16x1.5x70-8.8	4	
21	255044010057	带耳轴 Φ30x82	Axle Φ30x82	4	
22	910100300035	螺栓GB5783-M10x20-8.8	Bolt GB5783-M10x20-8.8	4	
23	256844510001	带耳轴 Φ30x94	Axle Φ30x94	2	



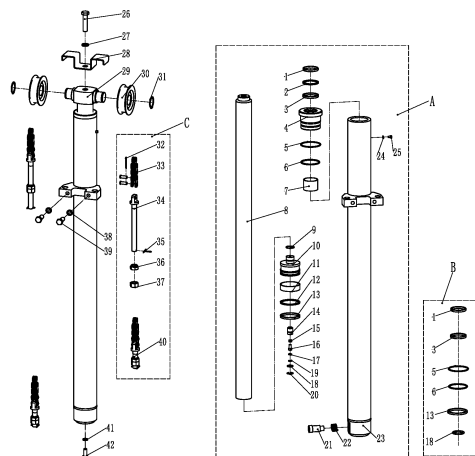
256898501051 货叉架(三级全自由门架)/FORK ARM CARRIER(three stage full free)



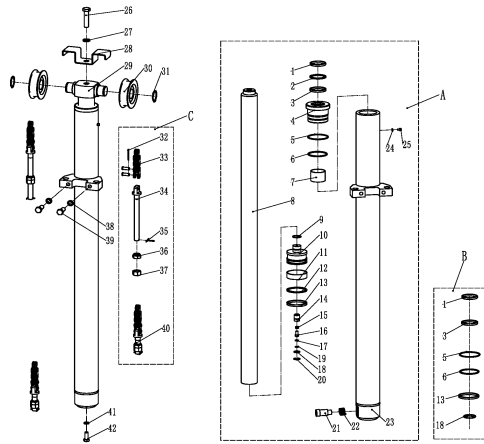
序号/NO	编码/SN	名称	Name	数量/QTY	备注/Remark
1	910200200096	螺钉GB70.1-M12x20-8.8	Screw GB70.1-M12x20-8.8	1	
2	910400500008	弹簧垫圈GB93-12	WasherGB93-12	1	
3	910401300018	轴用弹性挡圈GB894.1-35	Circlip GB894.1-35	6	
4	940200100043	主滚轮Φ78.80xΦ35x22.5(外圈斜1°)	Main roller Φ 78.80 x Φ 35 x22.5	6	
	940200100044	主滚轮Φ79.1xΦ35x22.5(外圈斜1°)	Main roller Φ 79.1 x Φ 35 x22.5	6	
	940200100039	主滚轮Φ79.1xΦ35x22.5(外圈斜1°)	Main roller Φ 79.4 x Φ 35 x22.5	6	
5	255038020008	调整套	Adjusting sleeve	4	
6	255038020009	调整垫	Adjustable pad	8	
7	940200200005	侧滚轮Φ42-CD=68	Side rollerΦ42 - CD = 68	2	
8	910400100007	平垫圈GB97.1-10-200HV	Washer GB97.1-10-200HV	8	
9	910400500007	弹簧垫圈GB93-10	Spring washer GB93-10	8	
10	910100300039	螺栓GB5783-M10x40-8.8	Bolt GB5783 M10x40-8.8	4	
11	256838013001	货叉架焊合(三级全自由)	Welding of fork rack	1	28Q/30Q/35Q
	255038015001	货叉架焊合(三级全自由)	Welding of fork rack	1	25Q

256898501052 短起升油缸(三级全自由门架)/SHORT LIFTING CYLINDER (three stage full free)

序号/NO	编码/SN	名称	Name	数量/QTY	备注/Remark
A	256144518001	油缸(M) Φ85xΦ60x622 (H=3600)	Short lifting cylinderΦ85xΦ60x622 (H=3600)	1	28Q/30Q/35Q
	256144518002	油缸(M) Φ85xΦ60x685 (H=4000)	Short lifting cylinderΦ85xΦ60x685 (H=4000)	1	
	256144518003	油缸(M) Φ85xΦ60x748 (H=4300)	Short lifting cylinderΦ85xΦ60x748 (H=4300)	1	
	256144518004	油缸(M) Φ85xΦ60x772 (H=4500)	Short lifting cylinderΦ85xΦ60x772 (H=4500)	1	
	256144518005	油缸(M) Φ85xΦ60x805 (H=4700)	Short lifting cylinderΦ85xΦ60x805 (H=4700)	1	
	256144518006	油缸(M) Φ85xΦ60x822 (H=4800)	Short lifting cylinderΦ85xΦ60x822 (H=4800)	1	
	256144518007	油缸(M) Φ85xΦ60x879 (H=5000)	Short lifting cylinderΦ85xΦ60x879 (H=5000)	1	
	256144518008	油缸(M) Φ85xΦ60x979 (H=5400)	Short lifting cylinderΦ85xΦ60x979 (H=5400)	1	
	256144518009	油缸(M) Φ85xΦ60x995 (H=5500)	Short lifting cylinderΦ85xΦ60x995 (H=5500)	1	
	256144518010	油缸(M) Φ85xΦ60x1112 (H=6000)	Short lifting cylinderΦ85xΦ60x1112 (H=6000)	1	
	256144518011	油缸(M) Φ85xΦ60x1229 (H=6500)	Short lifting cylinderΦ85xΦ60x1229 (H=6500)	1	25Q
	255044510100	油缸(M) Φ75xΦ50x622 (H=3600)	Short lifting cylinder Φ75xΦ50x622 (H=3600)	1	
	255044510050	油缸(M) Φ75xΦ50x685 (H=4000)	Short lifting cylinder Φ75xΦ50x685 (H=4000)	1	
	255044510051	油缸(M) Φ75xΦ50x748 (H=4300)	Short lifting cylinder Φ75xΦ50x748 (H=4300)	1	
	255044510052	油缸(M) Φ75xΦ50x772 (H=4500)	Short lifting cylinder Φ75xΦ50x772 (H=4500)	1	
	255044510101	油缸(M) Φ75xΦ50x805 (H=4700)	Short lifting cylinder Φ75xΦ50x805 (H=4700)	1	
	255044510053	油缸(M) Φ75xΦ50x822 (H=4800)	Short lifting cylinder Φ75xΦ50x822 (H=4800)	1	
	255044510054	油缸(M) Φ75xΦ50x879 (H=5000)	Short lifting cylinder Φ75xΦ50x879 (H=5000)	1	
	255044510102	油缸(M) Φ75xΦ50x979 (H=5400)	Short lifting cylinder Φ75xΦ50x979 (H=5400)	1	
	255044510055	油缸(M) Φ75xΦ50x995 (H=5500)	Short lifting cylinder Φ75xΦ50x995 (H=5500)	1	
255044510056	油缸(M) Φ75xΦ50x1112 (H=6000)	Short lifting cylinder Φ75xΦ50x1112 (H=6000)	1		
255044510103	油缸(M) Φ75xΦ50x1229 (H=6500)	Short lifting cylinder Φ75xΦ50x1229 (H=6500)	1		
B	255098510005	密封件修理包(三级全自由中间缸)	Seal kits (three stage full free lifting cylinder)	1	包含Inc. 1. 3. 5. 6. 13. 18
	256198510005	密封件修理包(三级全自由中间缸)	Seal kits (three stage full free lifting cylinder)	1	包含Inc. 1. 3. 5. 6. 13. 18
C	255044510124	起升链条LH1623-45	Lifting chain LH1623-45	2	H=3600
	255044510044	起升链条LH1623-47	Lifting chain LH1623-47	2	H=4000
	255044510045	起升链条LH1623-53	Lifting chain LH1623-53	2	H=4300
	255044010060	起升链条LH1623-55	Lifting chain LH1623-55	2	H=4500
	255044510133	起升链条LH1623-59	Lifting chain LH1623-59	2	H=4700/4800
	255044510134	起升链条LH1623-63	Lifting chain LH1623-63	2	H=5000
	255044510135	起升链条LH1623-61	Lifting chain LH1623-61	2	H=5400/5500



256898501052 短起升油缸(三级全自由门架)/SHORT LIFTING CYLINDER (three stage full free)

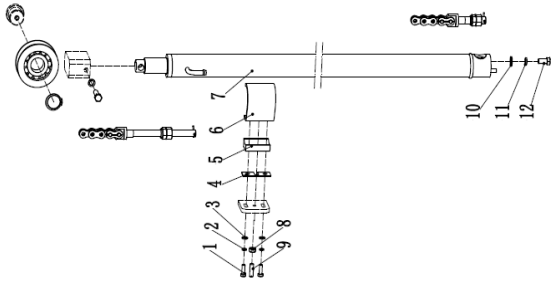
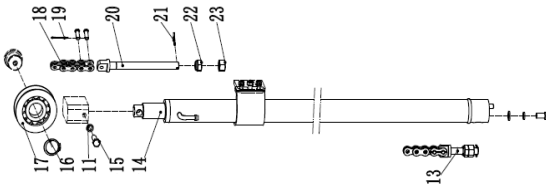
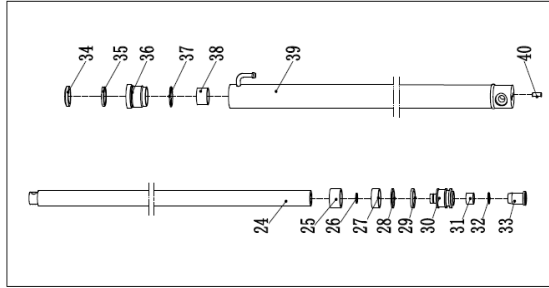


序号/NO	编码/SN	名称	Name	数量/QTY	备注/Remark
C	255044510136	起升链条LH1623-71	Lifting chain LH1623-71	2	H=6000
	255044510137	起升链条LH1623-81	Lifting chain LH1623-81	2	H=6500
1	▲	防尘圈	Dust ring 50x58x6.5	1	
2	▲	挡片50×60×3	Catch 50x60x3	1	
3	▲	轴用密封圈	Seal ring 50x60x6	1	
4	▲	导向套	Glide sleeve	1	
5	▲	O型密封圈	O ring 74.4x3.1	1	
6	▲	O型密封圈	O ring 69x3.55	1	
7	▲	钢背轴承5040	Bearing5040	1	
8	▲	活塞杆	Piston rod	1	
9	▲	钢丝挡圈	Circlip	1	
10	▲	活塞总成	Piston assembly	1	
11	▲	支承环75x20x2.5	Support ring 75x20x2.5	1	
12	▲	支承环75x65x3	Support ring 75x65x3	1	
13	▲	孔用密封圈	Seal ring 75x65x6	1	
14	▲	阀套	Valve cover	1	
15	▲	弹簧	Spring	1	
16	▲	阀芯	Valve plug	1	
17	▲	挡片	Catch	1	
18	▲	O型密封圈	O ring D20x2.4	1	
19	▲	孔用弹性挡圈12	Circlip 12	1	
20	▲	孔用弹性挡圈22	Circlip 22	1	
21	▲	滑阀	Slide valve	1	
22	▲	弹簧2.3x15x48.5	Spring2.3x15x48.5	1	
23	▲	缸体	Cylinder	1	
24	▲	垫片	Spacer	1	
25	▲	内六角圆柱头螺钉M5x5	Screw M5x5	1	
26	910100100071	螺栓GB5782-M16x50-8.8	Bolt GB5782-M16x50-8.8	1	
27	910400500010	弹簧垫圈GB93-16	Washer GB93-16	1	
28	255043520020	挡链板	Block chain plate	1	
29	255043520006	缸头	Cylinder head	1	

256898501052 短起升油缸(三级全自由门架)/SHORT LIFTING CYLINDER (three stage full free)

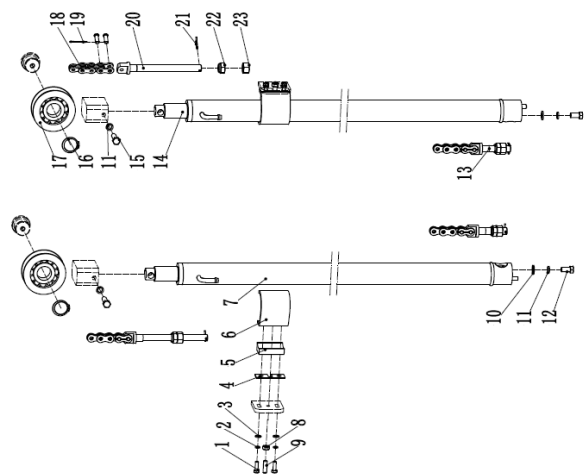
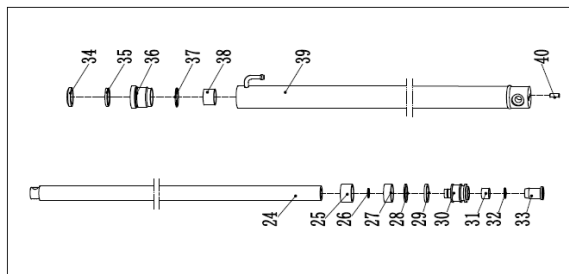
	序号/NO	编码/SN	名称	Name	数量/QTY	备注/Remark	
	30	940200500001	链轮轴承780708K-φ110xφ40x27	Chain wheel bearing 780708K-φ110xφ40x27	2		
	31	910401300020	轴用弹性挡圈GB894.1-40	Circlip GB894.1-40	2		
	32	910600600022	开口销GB91-2.5x40	split pin2.5x40	2		
	33	910900400014	板式链GB6074-LH1623	LH1623 chain	2		
	34	255044020157	链条螺栓M18x1.5x217	Joint	2		
	35	910600600030	开口销GB91-3.2x30	Split pin 3.2x30	2		
	36	255044020158	球面螺母M18x1.5	Nut M18x1.5	2		
	37	910300400007	螺母M18x1.5	Nut M18x1.5	2		
	38	910400500009	弹簧垫圈GB93-14	Washer GB93-14	2		
	39	910100400022	螺栓GB5786-M14x1.5x40-8.8	Bolt GB5786-M14x1.5x40-8.8	2		
	41	255044020156	链条螺栓M18x1.5x102	Joint	2		
	42	910400500008	弹簧垫圈GB93-12	SpringWasherGB93-12	1		
	43	910100400009	螺栓GB5786-M12x1.25x25-8.8	BoltGB5786-M12x1.25x25-8.8	1		

256898501053 起升油缸(三级全自由门架)/LIFTING CYLINDER (three stage full free)



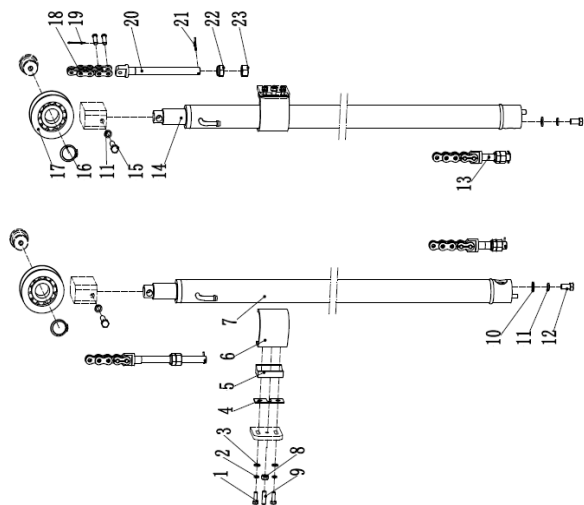
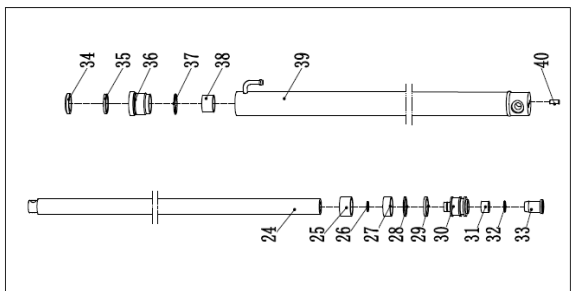
序号/NO	编码/SN	名称	Name	数量/QTY	备注/Remark
1	910100300023	螺栓GB5783-M8x25-8.8	Bolt GB5783-M8x25-8.8	4	
2	910400500007	弹簧垫圈GB93-10	Washer GB93-10	4	
3	910400100007	平垫圈GB97.1-10-200HV	Washer GB97.1-10-200HV	4	
4	255044520099	橡胶垫	Rubber pad	2	
5	255044520097	支撑块	Support block	2	
6	255044520098	弯板	Blendboard	2	
7	256144516001	油缸(L) (H=3600)	Cylinder (L) Φ56xΦ45x1174(H=3600)	1	28Q/30Q/35Q
	256144516002	油缸(L) (H=4000)	Cylinder (L) Φ56xΦ45x1312(H=4000)	1	
	256144516003	油缸(L) (H=4300)	Cylinder (L) Φ56xΦ45x1424(H=4300)	1	
	256144516004	油缸(L) (H=4500)	Cylinder (L) Φ56xΦ45x1474(H=4500)	1	
	256144516005	油缸(L) (H=4700)	Cylinder (L) Φ56xΦ45x1539(H=4700)	1	
	256144516006	油缸(L) (H=4800)	Cylinder (L) Φ56xΦ45x1574(H=4800)	1	
	256144516007	油缸(L) (H=5000)	Cylinder (L) Φ56xΦ45x1617(H=5000)	1	
	256144516008	油缸(L) (H=5400)	Cylinder (L) Φ56xΦ45x1717(H=5400)	1	
	256144516009	油缸(L) (H=5500)	Cylinder (L) Φ56xΦ45x1751(H=5500)	1	
	256144516010	油缸(L) (H=6000)	Cylinder (L) Φ56xΦ45x1884(H=6000)	1	
	256144516011	油缸(L) (H=6500)	Cylinder (L) Φ56xΦ45x2017(H=6000)	1	
7	255044510104	油缸(L) Φ50xΦ40x1174	Cylinder (L) Φ50xΦ40x1174(H=3600)	1	25Q
	255044510004	油缸(L) Φ50xΦ40x1312	Cylinder (L) Φ50xΦ40x1312(H=4000)	1	
	255044510005	油缸(L) Φ50xΦ40x1424	Cylinder (L) Φ50xΦ40x1424(H=4300)	1	
	255044510006	油缸(L) Φ50xΦ40x1474	Cylinder (L) Φ50xΦ40x1474(H=4500)	1	
	255044510105	油缸(L) Φ50xΦ40x1539	Cylinder (L) Φ50xΦ40x1539(H=4700)	1	
	255044510007	油缸(L) Φ50xΦ40x1574	Cylinder (L) Φ50xΦ40x1574(H=4800)	1	
	255044510008	油缸(L) Φ50xΦ40x1617	Cylinder (L) Φ50xΦ40x1617(H=5000)	1	
	255044510106	油缸(L) Φ50xΦ40x1717	Cylinder (L) Φ50xΦ40x1717(H=5400)	1	
	255044510009	油缸(L) Φ50xΦ40x1751	Cylinder (L) Φ50xΦ40x1751(H=5500)	1	
	255044510010	油缸(L) Φ50xΦ40x1884	Cylinder (L) Φ50xΦ40x1884(H=6000)	1	
255044510107	油缸(L) Φ50xΦ40x2017	Cylinder (L) Φ50xΦ40x2017(H=6500)	1		
8	910300100007	螺钉M10x35-8.8	Screw M10x35-8.8	2	
9	941100100003	螺母GB6170-M10-10	Nut GB6170-M10-10	2	
10	910400100008	平垫圈GB97.1-12-200HV	Washer GB97.1-12-200HV	2	

256898501053 起升油缸(三级全自由门架)/LIFTING CYLINDER (three stage full free)



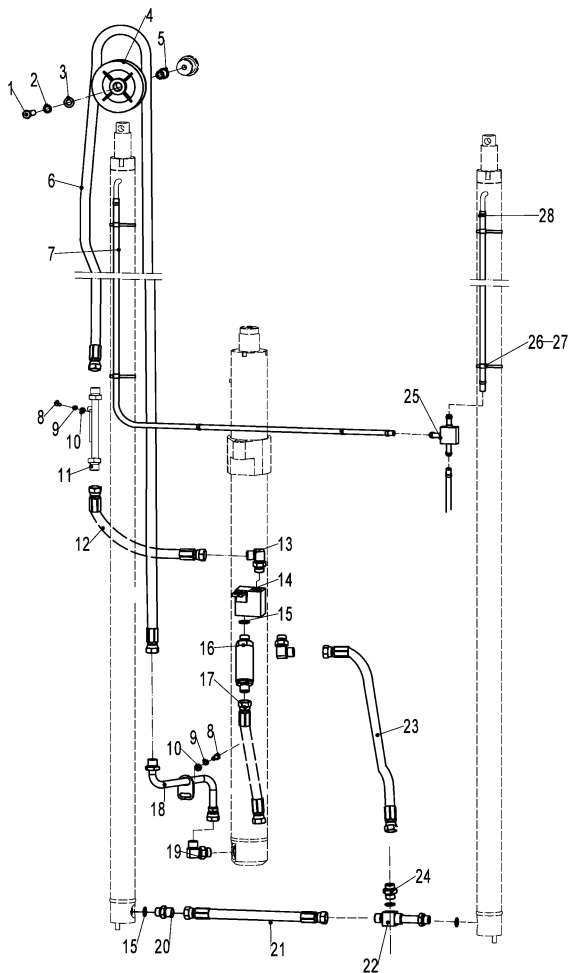
序号/NO	编码/SN	名称	Name	数量/QTY	备注/Remark
11	910400500008	弹簧垫圈GB93-12	Washer GB93-12	4	
12	910100400009	螺栓GB5786-M12x1.25x25-8.8	Bolt GB5786-M12x1.25x25-8.8	2	
13	255044020156	短端接头	Joint	2	
14	256144517001	油缸 (R) (H=3600)	CyRinder (R)Φ56xΦ45x1174(H=3600)	1	28Q/30Q/35Q
	256144517002	油缸 (R) (H=4000)	CyRinder (R)Φ56xΦ45x1312(H=4000)	1	
	256144517003	油缸 (R) (H=4300)	CyRinder (R)Φ56xΦ45x1424(H=4300)	1	
	256144517004	油缸 (R) (H=4500)	CyRinder (R)Φ56xΦ45x1474(H=4500)	1	
	256144517005	油缸 (R) (H=4700)	CyRinder (R)Φ56xΦ45x1539(H=4700)	1	
	256144517006	油缸 (R) (H=4800)	CyRinder (R)Φ56xΦ45x1574(H=4800)	1	
	256144517007	油缸 (R) (H=5000)	CyRinder (R)Φ56xΦ45x1617(H=5000)	1	
	256144517008	油缸 (R) (H=5400)	CyRinder (R)Φ56xΦ45x1717(H=5400)	1	
	256144517009	油缸 (R) (H=5500)	CyRinder (R)Φ56xΦ45x1751(H=5500)	1	
	256144517010	油缸 (R) (H=6000)	CyRinder (R)Φ56xΦ46x1884(H=6000)	1	
	256144517011	油缸 (R) (H=6500)	CyRinder (R)Φ56xΦ45x2017H=6000)	1	
14	255044510108	油缸 (R) (H=3600)	CyRinder (R)Φ50xΦ40x1174(H=3600)	1	25Q
	255044510011	油缸 (R) (H=4000)	CyRinder (R)Φ50xΦ40x1312(H=4000)	1	
	255044510012	油缸 (R) (H=4300)	CyRinder (R)Φ50xΦ40x1424(H=4300)	1	
	255044510013	油缸 (R) (H=4500)	CyRinder (R)Φ50xΦ40x1474(H=4500)	1	
	255044510109	油缸 (R) (H=4700)	CyRinder (R)Φ50xΦ40x1539H=4700)	1	
	255044510014	油缸 (R) (H=4800)	CyRinder (R)Φ50xΦ40x1574(H=4800)	1	
	255044510015	油缸 (R) (H=5000)	CyRinder (R)Φ50xΦ40x1617(H=5000)	1	
	255044510110	油缸 (R) (H=5400)	CyRinder (R)Φ50xΦ40x1717(H=5400)	1	
	255044510016	油缸 (R) (H=5500)	CyRinder (R)Φ50xΦ40x1751(H=5500)	1	
	255044510017	油缸 (R) (H=6000)	CyRinder (R)Φ50xΦ40x1884(H=6000)	1	
255044510111	油缸 (R) (H=6500)	CyRinder (R)Φ50xΦ40x2017H=6000)	1		
15	910100300053	螺栓GB5783-M12x45-8.8	Bolt GB5783-M12x45-8.8	2	
16	910401300020	轴用弹性挡圈GB894.1-40	Circlip GB894.1-40	2	
17	940200500005	链轮轴承780708K-φ110xφ40x27	Chain wheel bearing 780708K-φ110xφ40x27	2	
18	910900400014	LH1623板式链	LH1623chain	2	
19	910600600022	开口销2.5x40	Split pin 2.5x40	2	
20	255044020157	链条螺栓M18x1.5x217	Joint	2	

256898501053 起升油缸(三级全自由门架)/LIFTING CYLINDER (three stage full free)



序号/NO	编码/SN	名称	Name	数量/QTY	备注/Remark
21	910600600030	开口销GB91-3. 2x30	Split pin 3.2x30	2	
22	255044020158	球面螺母M18x1. 5	Nut M18x1.5	2	
23	910300400007	螺母GB6173-M18x1. 5-05	Nut M18x1.5-05	2	
24	▲	活塞杆	Piston rod	1	
25	▲	调整套40. 5x49xL2	Adjusting bushing 40.5x49xL2	1	
26	▲	钢丝挡圈φ24x2	Circlip φ24x2	1	
27	▲	支承56x20x2. 5	Bearing 56x20x2.5	1	
28	▲	挡片56x44x3	Catch 56x45x3	1	
29	▲	孔用密封圈	Seal ring 56x45x6	1	
30	▲	活塞	Piston	1	
31	▲	铜套	Copper bushing	1	
32	▲	钢丝挡圈φ26. 5x2	Circlip φ26.5x2	1	
33	▲	缓冲环	Buffer ring	1	
34	▲	防尘圈	Dust ring DKB45x58x7/10	1	
35	▲	轴用密封圈	Seal ring 40x50x6	1	
36	▲	导向套	Guide bushing	1	
37	▲	O型密封圈	O seal ring 49.7x2.4	1	
38	▲	钢背轴承4030	Bearing 4030	1	
39	▲	缸体	Cylinder	1	
40	▲	圆柱销D10x26	Dowel pin D10x26	1	
41	256198510003	30-35N密封件修理包(三级全自由起升缸)	Seal kits(three stage full free lifting cylinder)	2	包含/Inc 27. 29. 34. 35. 37
41	255098510003	25N密封件修理包(三级全自由起升缸)	Seal kits(three stage full free lifting cylinder)	2	包含/Inc 27. 29. 34. 35. 37
A	256844014002	起升链条LH1623-65	Lifting chainLH1623-65	2	H=3600
	255044510046	起升链条LH1623-69	Lifting chainLH1623-69	2	H=4000
	255044510138	起升链条LH1623-73	Lifting chainLH1623-73	2	H=4350
	255044510047	起升链条LH1623-75	Lifting chainLH1623-75	2	H=4500
	255043510139	起升链条LH1623-79	Lifting chainLH1623-79	2	H=4700/4800
	255044510140	起升链条LH1623-85	Lifting chainLH1623-85	2	H=5000
	255044510048	起升链条LH1623-95	Lifting chainLH1623-95	2	H=5400/5500
	255044510049	起升链条LH1623-103	Lifting chainLH1623-103	2	H=6000
	255044510125	起升链条LH1623-113	Lifting chainLH1623-113	2	H=6500

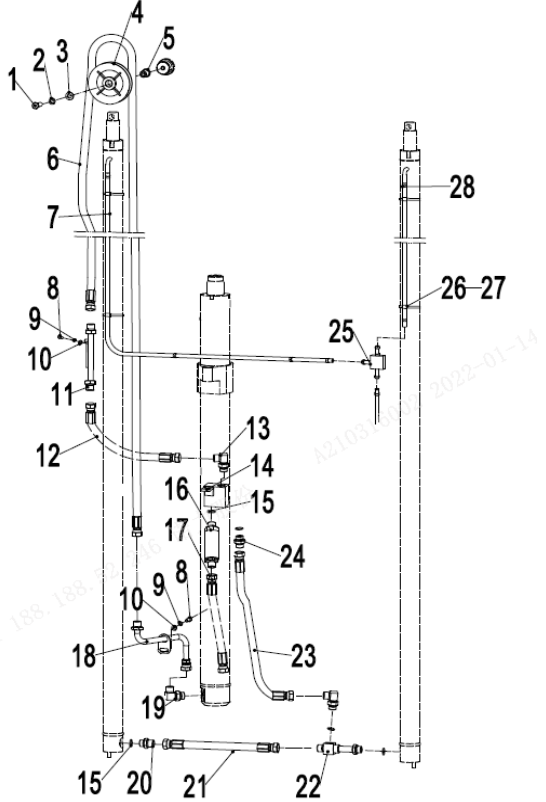
256898501054 起升管路(三级全自由门架)/LIFTING CYLINDER (three stage full free)



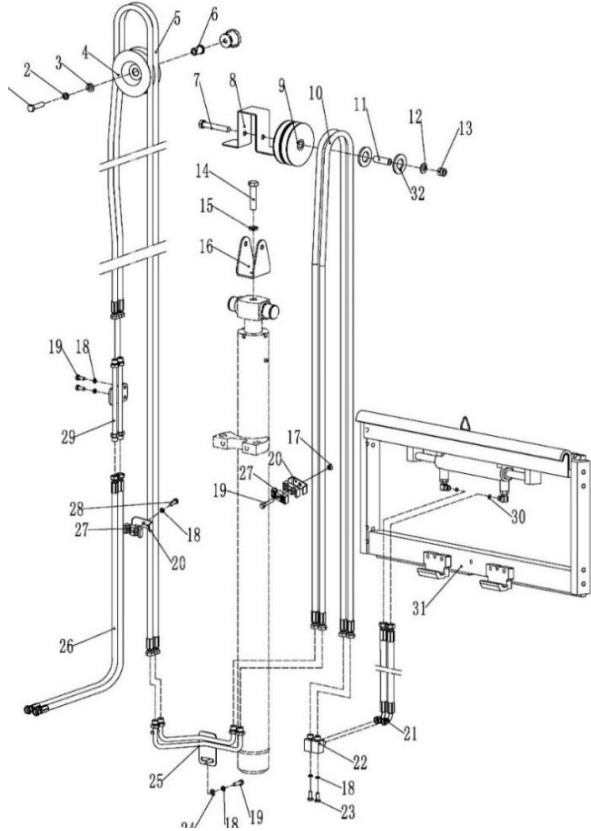
序号/NO	编码/SN	名称	Name	数量/QTY	备注/Remark
1	910100100048	螺栓GB5782-M12x50-8.8	Bolt GB5782-M12x50-8.8	1	
2	910400500008	弹簧垫圈GB93-12	Spring washer gb93-12	1	
3	910400100008	平垫圈GB97.1-12-200HV	Flat washer GB97.1-12-200HV	1	
4	255044520096	滑轮Φ120x36(单槽)	Pulley Φ120x36 (single slot)	1	
5	255044520081	衬套(带肩)Φ20xΦ13x28	Bushings (shoulder)Φ20xΦ13x28	1	
6	255044520084	液压管总成(直)15-L1910-2SC-60	Hydraulic hose assembly 15-L1910-2SC-60	1	H=3600
	255044520071	液压管总成(直)15-L2180-2SC-60°	Hydraulic hose assembly 15-L2180-2SC-60°	1	H=4000
	255044520072	液压管总成(直)15-L2430-2SC-60°	Hydraulic hose assembly 15-L2430-2SC-60°	1	H=4350
	255044520073	液压管总成(直)15-L2530-2SC-60°	Hydraulic hose assembly 15-L2530-2SC-60°	1	H=4500
	255044520074	液压管总成(直)15-L2730-2SC-60°	Hydraulic hose assembly 15-L2730-2SC-60°	1	H=4700/4800
	255044520075	液压管总成(直)15-L3015-2SC-60°	Hydraulic hose assembly 15-L3015-2SC-60°	1	H=5000
	255044520076	液压管总成(直)15-L3480-2SC-60°	Hydraulic hose assembly 15-L3480-2SC-60°	1	H=5400/5500
	255044520077	液压管总成(直)15-L3950-2SC-60°	Hydraulic hose assembly 15-L3950-2SC-60°	1	H=6000
	255044520124	液压管总成(直)15-L4410-2SC-60°	Hydraulic hose assembly 15-L4410-2SC-60°	1	H=6500
7	▲	PE软管Φ10xΦ13	PE Supple pipeΦ10xΦ13	3	
8	910100300022	螺栓GB5783-M8x20-8.8	Bolt GB5783-M8x20-8.8	3	
9	910400500006	弹簧垫圈GB93-8	Spring washer GB93-8	5	
10	910400100006	平垫圈GB97.1-8-200HV	Flat washer GB97.1-8-200HV	5	
11	255044510020	液压钢管焊合1	Hydraulic pipe welding 1	1	
12	255044520083	液压管总成(直)15-L530-2SC-60°	Hydraulic hose assembly 15-L530-2SC-60°	1	
13	255044020151	接头(锁定弯)12-2xM22x1.5-60°	Connector (lock bend) 12-2xM22x1.5-60°	1	
14	252144519002	三通焊合(20Q)	Tee welded (20Q)	1	
15	910800100040	O形圈-外24x2.4	O - inner 24x2.4	4	
16	950700300002	限速阀XSF-F16L-48	The speed limit valve XSF-F16L-48	1	
17	252144529003	液压管总成(直)15-L800-2SC-60°	Hydraulic hose assembly 15-L800-2SC-60°	1	
18	255044510021	液压钢管焊合2	Hydraulic pipe welding 2	1	
19	255043520022	接头(锁定弯)12-M27x2-M22x1.5	Connector (lock bend) 12-M27x2-M22x1.5	1	
20	256898520001	防爆阀	explosion-proof valve	1	
21	255044520067	液压管总成(直)15-L360-2SC-60°	Hydraulic hose assembly 15-L360-2SC-60°	1	
22	255044010040	接头(三通)	Connector (tee)	1	
23	254144520048	液压管总成(90°)15-L800-2SC-60°	Hydraulic hose assembly (90°)15-L800-2SC-	1	

256898501054 起升管路(三级全自由门架)/LIFTING CYLINDER (three stage full free)

序号/NO	编码/SN	名称	Name	数量/QTY	备注/Remark
24	255023520030	接头(直)12-2xM22x1.5-60°	Connector12-2xM22x1.5-60°	1	
25	255044020118	接头(三通)	Connector (tee)	1	
26	921600400001	扎带4x250	4 x250 tie	6	
27	255044020042	压板	clamp	4	
28	255044020043	卡箍13	Clamp 13	6	

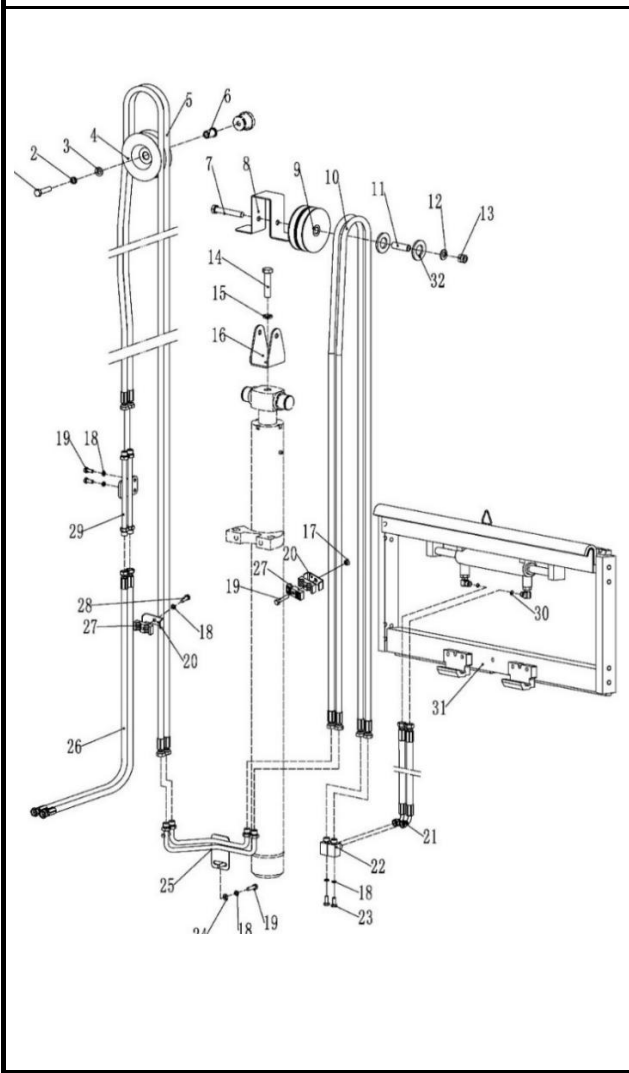


256898501055 侧移器及管路安装(三级全自由)/Side shifter and pipeline installation(three stage full free)



序号/NO	编码/SN	名称	Name	数量/QTY	备注/Remark
1	910100100048	螺栓GB5782-M12x50-8.8	BoltGB5782-M12x50-8.8	1	
2	910400500008	弹簧垫圈GB93-12	Washer GB93-12	1	
3	910400100008	平垫圈GB97.1-12-200HV	Washer GB97.1-12-200HV	2	
4	255030520020	滑轮Φ120x42(双槽)	Pulley Φ120 x42 (dual slot)	1	
5	255023520036	液压管总成(直)10-L1800-1SC-60°	Hydraulic hose assembly 10-L1800-1SC-60°	2	H=3600
	255030520001	液压管总成(直)10-L2060-1SC-60°	Hydraulic hose assembly 10-L2060-1SC-60°	2	H=4000
	255030520002	液压管总成(直)10-L2310-1CS-60°	Hydraulic hose assembly 10-L2310-1SC-60°	2	H=4300
	255030520003	液压管总成(直)10-L2410-1CS-60°	Hydraulic hose assembly 10-L2410-1SC-60°	2	H=4500
	255030520004	液压管总成(直)10-L2610-1CS-60°	Hydraulic hose assembly 10-L2610-1SC-60°	2	H=4800/4700
	255030520005	液压管总成(直)10-L2900-1CS-60°	Hydraulic hose assembly 10-L2900-1SC-60°	2	H=5000
	255030520006	液压管总成(直)10-L3370-1CS-60°	Hydraulic hose assembly 10-L3370-1SC-60°	2	H=5500/5400
	255030520007	液压管总成(直)10-L3840-1CS-60°	Hydraulic hose assembly 10-L3840-1SC-60°	2	H=6000
	263030520008	液压管总成(直)10-L4330-1CS-60°	Hydraulic hose assembly 10-L4330-1SC-60°	2	H=6500
6	255030520023	衬套1	Bushing	1	
7	910100100058	螺栓GB5782-M12x100-8.8	Bolt GB5782-M12x100-8.8	1	
8	255028520043	挡板	Chain plate	1	
9	255030520021	滑轮Φ110x27(单槽)	Pulley φ110x27	2	
10	255023520036	液压管总成(直)10-L1800-1SC-60°	Hydraulic hose assembly 10-L1800-1SC-60°	2	H=3600
	255028520016	液压管总成(直)10-L1930-1SC-60°	Hydraulic hose assembly 10-L1930-1SC-60°	2	H=4000
	275323521007	液压管总成(直)10-L2040-1SC-60°	Hydraulic hose assembly 10-L2040-1SC-60°	2	H=4350
	255030520711	液压管总成(直)10-L2090-1SC-60°	Hydraulic hose assembly 10-L2090-1SC-60°	2	H=4500
	263030520015	液压管总成(直)10-L2160-1SC-60°	Hydraulic hose assembly 10-L2160-1SC-60°	2	H=4800/4700
	255028520045	液压管总成(直)10-L2300-1SC-60°	Hydraulic hose assembly 10-L2300-1SC-60°	2	H=5000
	281229020031	液压管总成(直)10-L2500-1SC-60°	Hydraulic hose assembly 10-L2500-1SC-60°	2	H=5500/5400
	254131020006	液压管总成(直)10-L2750-1SC-60°	Hydraulic hose assembly 10-L2750-1SC-60°	2	H=6000
	281229020023	液压管总成(直)10-L2975-1SC-60°	Hydraulic hose assembly 10-L2975-1SC-60°	2	H=6500
11	255030520022	衬套Φ22xΦ13x56	Bush Φ22xΦ13x56	1	
12	910400100008	平垫圈GB97.1-12-200HV	Washer GB97.1-12-200HV	2	
13	910300500006	螺母GB889.1-M12-10	Nut GB889.1-M12-10	1	
14	910100100072	螺栓GB5782-M16x60-8.8	Bolt GB5782-M16x60-8.8	1	
15	910400100010	平垫圈GB97.1-16-200HV	Washer GB97.1-16-200HV	1	

256898501055 侧移器及管路安装(三级全自由)/Side shifter and pipeline installation(three stage full free)



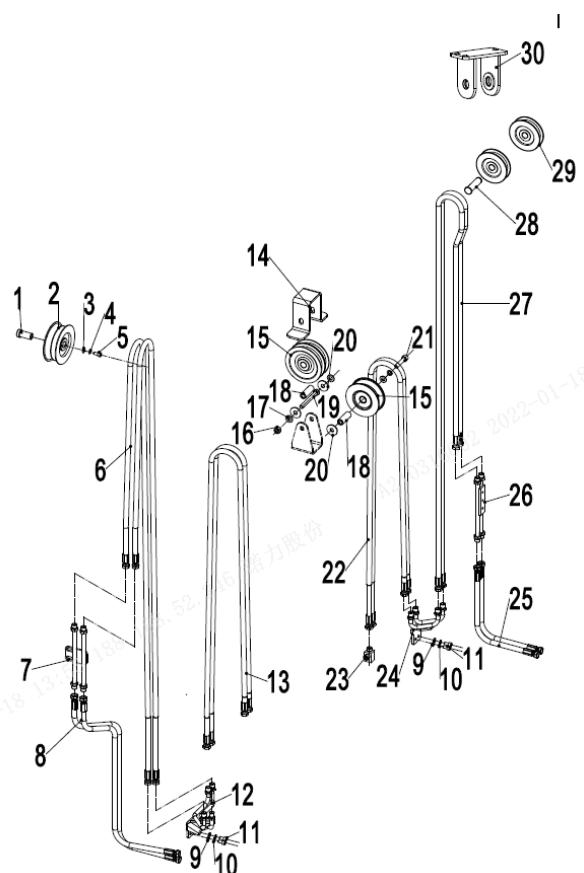
序号/NO	编码/SN	名称	Name	数量/QTY	备注/Remark
16	255030520026	滑轮架体	Pulley frame	1	
17	910300500004	螺母GB889.1-M8-10	Nut GB889.1-M8-10	1	
18	910400100006	弹簧垫圈GB93-8	Washer GB93-8	5	
19	910200200061	螺钉GB70.1-M8x40-8.8	Bolt GB5783-M8x20-8.8	1	
20	255028520035	管夹安装板	Pipe press fixedly plank	2	
21	255042520101	液压管总成(90°)10-L500-1SC-60° -0°	Hydraulic hose assembly(90°)10-L500-1SC-60°	2	
22	255029020024	接头(锁定弯)8-2xM16x1.5-60°	Joint 8-2XM16x1.5-60°	2	
23	910100300025	螺栓GB5783-M8x35-8.8	Bolt GB5783-M8x35-8.8	2	
24	910400500006	平垫圈GB97.1-8-200HV	Washer GB97.1-8-200HV	5	
25	255030520019	液压钢管焊合2	Hydraulic steel pipe welding 2	1	
26	255030520017	液压管总成(直)10-L1450-1SC-60°	Hydraulic hose assembly10-L1450-1SC-60°	2	
27	255028520034	胶管固定块	Hose fixing bloke	4	
28	910200200060	螺钉GB70.1-M8x35-8.8	Screw GB70.1-M8x35-8.8	1	
29	255030520018	液压钢管焊合	Hydraulic steel pipe welding	1	
30	910800100001	O形圈-内9.5x1.8	Oring 9.5x1.8	4	
31	255042510004	侧移器总成(LH)	Side shifter assembly(LH)	1	选装/optional
	255042510001	侧移器总成(LD)	Side shifter assembly(LD)	1	选装/optional
	255042510002	侧移器总成(卡斯卡特)	Side shifter assembly(CASCADE)	1	选装/optional
32	910400200005	大垫圈GB96.1-12-200HV	Washer GB96.1-12-200HV	2	

256898501056 双附加管路(三级全自由)/DOUBLE ADDITIONAL TUBE(three stage full free)

序号/NO	编码/SN	名称	Name	数量/QTY	备注/Remark
1	254130520016	衬套Φ20xΦ13x43	Bush Φ20xΦ13x43	1	
2	255030520020	滑轮Φ120x42(双槽)	Pulley Φ120x42	1	
3	910400500008	弹簧垫圈GB93-12	WasherGB93-12	1	
4	910400100008	平垫圈GB97.1-12-200HV	Washer GB97.1-12-200HV	1	
5	910100100048	螺栓GB5782-M12x50-8.8	Bolt GB5782-M12x50-8.8	1	
6	255023520036	液压管总成(直)10-L1800-1SC-60°	Hydraulic hose assembly 10-L1800-1SC-60°	2	H=3600
	255030520001	液压管总成(直)10-L2060-1SC-60°	Hydraulic hose assembly 10-L2060-1SC-60°	2	H=4000
	255030520002	液压管总成(直)10-L2310-1CS-60°	Hydraulic hose assembly 10-L2310-1SC-60°	2	H=4300
	255030520003	液压管总成(直)10-L2410-1CS-60°	Hydraulic hose assembly 10-L2410-1SC-60°	2	H=4500
	255030520004	液压管总成(直)10-L2610-1CS-60°	Hydraulic hose assembly 10-L2610-1SC-60°	2	H=4800/4700
	255030520005	液压管总成(直)10-L2900-1CS-60°	Hydraulic hose assembly 10-L2900-1SC-60°	2	H=5000
	255030520006	液压管总成(直)10-L3370-1CS-60°	Hydraulic hose assembly 10-L3370-1SC-60°	2	H=5500/5400
	255030520007	液压管总成(直)10-L3840-1CS-60°	Hydraulic hose assembly 10-L3840-1SC-60°	2	H=6000
	263030520008	液压管总成(直)10-L4330-1CS-60°	Hydraulic hose assembly 10-L4330-1SC-60°	2	H=6500
7	255030520018	液压钢管焊合1	Hydraulic steel pipe welding 1	1	
8	255030520017	液压管总成(直)10-L1450-1SC-60°	Hydraulic hose assembly 10-L1450-1SC-60°	2	
9	910400100006	平垫圈GB97.1-8-200HV	Washer GB97.1-8-200HV	5	
10	910400500006	弹簧垫圈GB93-8	WasherGB93-8	8	
11	910100300022	螺栓GB5783-M8x20-8.8	Bolt GB5783-M8x20-8.8	7	
12	255030520019	液压钢管焊合2	Hydraulic steel pipe welding 2	1	
13	255023520036	液压管总成(直)10-L1800-1SC-60°	Hydraulic hose assembly 10-L1800-1SC-60°	2	H=3600
	255028520016	液压管总成(直)10-L1930-1SC-60°	Hydraulic hose assembly 10-L1930-1SC-60°	2	H=4000
	275323521007	液压管总成(直)10-L2040-1SC-60°	Hydraulic hose assembly 10-L2040-1SC-60°	2	H=4350
	255030520711	液压管总成(直)10-L2090-1SC-60°	Hydraulic hose assembly 10-L2090-1SC-60°	2	H=4500
	263030520015	液压管总成(直)10-L2160-1SC-60°	Hydraulic hose assembly 10-L2160-1SC-60°	2	H=4800/4700
	255028520045	液压管总成(直)10-L2300-1SC-60°	Hydraulic hose assembly 10-L2300-1SC-60°	2	H=5000
	281229020031	液压管总成(直)10-L2500-1SC-60°	Hydraulic hose assembly 10-L2500-1SC-60°	2	H=5500/5400
	254131020006	液压管总成(直)10-L2750-1SC-60°	Hydraulic hose assembly 10-L2750-1SC-60°	2	H=6000
	281229020023	液压管总成(直)10-L2975-1SC-60°	Hydraulic hose assembly 10-L2975-1SC-60°	2	H=6500
14	255028520043	挡板	Chain plate	1	
15	255030520021	滑轮Φ110x27(单槽)	Pulley Φ110x27	4	

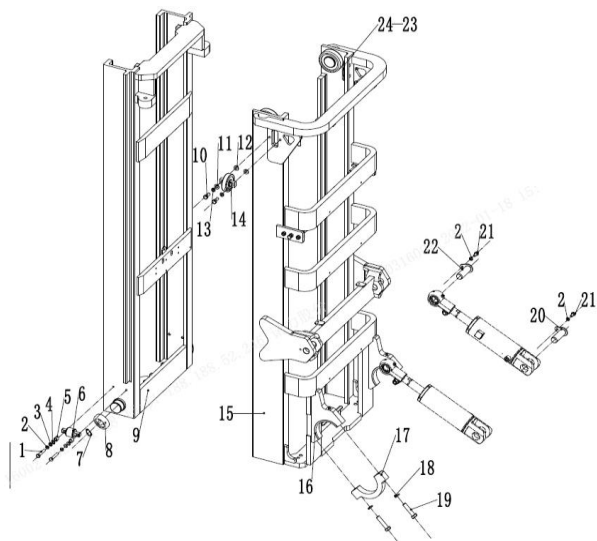
256898501056 双附加管路(三级全自由)/DOUBLE ADDITIONAL TUBE(three stage full free)

序号/NO	编码/SN	名称	Name	数量/QTY	备注/Remark
16	910300500006	螺母GB889.1-M12-10	Nut GB889.1-M12-10	1	
17	910400100008	平垫圈GB97.1-12-200HV	Washer GB97.1-12-200HV	1	
18	255030520022	衬套Φ20xΦ13x56	BushΦ20xΦ13x56	1	
19	910100100058	螺栓GB5782-M12x100-8.8	Bolt GB5782-M12x100-8.8	1	
20	910400200005	大垫圈GB96.1-12-200HV	Washer GB96.1-12-200HV	2	
21	910100100056	螺栓GB5782-M12x90-8.8	Bolt GB5782-M12x90-8.8	1	
22	275230529021	液压管总成(直)10-L1600-1SC-60°	Hydraulic hose assembly 10-L1600-1SC-60°	2	H=3600
	255030520024	液压管总成(直)10-L1720-1SC-60°	Hydraulic hose assembly 10-L1720-1SC-60°	2	H=4000
	254130520005	液压管总成(直)10-L1890-1SC-60°	Hydraulic hose assembly 10-L1890-1SC-60°	2	H=4350/4500
	255031020705	液压管总成(直)10-L1980-1SC-60°	Hydraulic hose assembly 10-L1980-1SC-60°	2	H=4800/4700
	255028520044	液压管总成(直)10-L2150-1SC-60°	Hydraulic hose assembly 10-L2150-1SC-60°	2	H=5000
	254128520031	液压管总成(直)10-L2350-1SC-60°	Hydraulic hose assembly 10-L2350-1SC-60°	2	H=5400/5500
	255031020016	液压管总成(直)10-L2550-1SC-60°	Hydraulic hose assembly 10-L2550-1SC-60°	2	J=6000
	255031020703	液压管总成(直)10-L2780-1SC-60°	Hydraulic hose assembly 10-L2780-1SC-60°	2	H=6500
23	255029020024	接头(锁定弯)8-2xM16x1.5-60°	Joint 8-2XM16x1.5-60°	4	
24	255031020006	液压钢管焊合	Hydraulic steel pipe welding	1	
25	255031020008	液压管总成(135°)10-L1000-1SC-60°	Hydraulic hose assembly (135°)10-L1000-1S	2	
26	255028510022	过渡钢管	Excessive pipe welding	1	
27	254130520007	液压管总成(直)10-L2140-1SC-60°	Hydraulic hose assembly 10-L2140-1SC-60°	2	H=3600
	255030520003	液压管总成(直)10-L2410-1SC-60°	Hydraulic hose assembly 10-L2410-1SC-60°	2	H=4000
	254128520052	液压管总成(直)10-L2650-1SC-60°	Hydraulic hose assembly 10-L2650-1SC-60°	2	H=4350
	254131020006	液压管总成(直)10-L2750-1SC-60°	Hydraulic hose assembly 10-L2750-1SC-60°	2	H=4500
	254131020007	液压管总成(直)10-L2950-1SC-60°	Hydraulic hose assembly 10-L2950-1SC-60°	2	H=4700/4800
	254128520039	液压管总成(直)10-L3250-1SC-60°	Hydraulic hose assembly 10-L3250-1SC-60°	2	H=5000
	275344529012	液压管总成(直)10-L3350-1SC-60°	Hydraulic hose assembly 10-L3350-1SC-60°	2	H=5400/5500
	255031020017	液压管总成(直)10-L3720-1SC-60°	Hydraulic hose assembly 10-L3720-1SC-60°	2	H=6000
252127521001	液压管总成(直)10-L4150-1SC-60°	Hydraulic hose assembly 10-L4150-1SC-60°	1	H=6500	
28	255031020004	带耳轴Φ20x70	Axle Φ20x70	1	
29	255031020007	滑轮Φ90x22(单槽)	Pulley Φ90x22	2	
30	255031010001	滑轮支架焊合1	Pulley support welded 1	1	H>5400
30	255031010002	滑轮支架焊合2	Pulley support welded 2	1	H<=5400



256898501057 门架(两级全自由门架)/MAST(two stage full free)

序号/NO	编码/SN	名称	Name	数量/QTY	备注/Remark
1	910100300039	螺栓GB5783-M10x40-8.8	Bolt GB5783-M10x40-8.8	4	
2	910400500007	弹簧垫圈GB93-10	Washer GB93-10	8	
3	910400100007	平垫圈GB97.1-10-200HV	Washer GB97.1-10-200HV	4	
4	255038020009	调整垫	Adjustable pad	8	
5	255038020008	调整套	Adjusting sleeve	4	
6	940200200005	侧滚轮Φ42-CD=68	Side rollerΦ42 - CD = 68	2	
7	910401300024	轴用弹性挡圈	Elastic retaining ring for shaft	4	
8	940200100021	主滚轮Φ119.6xΦ55x34	Roller Φ119.6xΦ55x34	2	选配
8	940200100022	主滚轮Φ120xΦ55x34	Roller Φ120xΦ55x34	2	选配
9	256843512001	内门架焊合 2000	Inner mast(2000)	1	2.8-3.5t
9	256843512002	内门架焊合 2500	Inner mast 2500	1	2.8-3.5t
9	256843512003	内门架焊合 3000	Inner mast 3000	1	2.8-3.5t
9	256843512004	内门架焊合 3300	Inner mast 3300	1	2.8-3.5t
9	256843512005	内门架焊合 3500	Inner mast 3500	1	2.8-3.5t
9	256843512006	内门架焊合 3600	Inner mast 3600	1	2.8-3.5t
9	256843512007	内门架焊合 3700	Inner mast 3700	1	2.8-3.5t
9	256843512008	内门架焊合 4000	Inner mast 4000	1	2.8-3.5t
9	256843512009	内门架焊合 4300	Inner mast 4300	1	2.8-3.5t
9	256843512010	内门架焊合 4500	Inner mast 4500	1	2.8-3.5t
9	256843512011	内门架焊合 5000	Inner mast 5000	1	2.8-3.5t
9	256843512012	内门架焊合 5500	Inner mast 5500	1	2.8-3.5t
9	256843512013	内门架焊合 6000	Inner mast 6000	1	2.8-3.5t
9	255043510027	内门架焊合 2000	Inner mast(2000)	1	2.5t
9	255043510028	内门架焊合 2500	Inner mast 2500	1	2.5t
9	255043510029	内门架焊合 3000	Inner mast 3000	1	2.5t
9	255043510030	内门架焊合 3300	Inner mast 3300	1	2.5t
9	255043510031	内门架焊合 3500	Inner mast 3500	1	2.5t
9	255043510032	内门架焊合 3600	Inner mast 3600	1	2.5t
9	255043510033	内门架焊合 3700	Inner mast 3700	1	2.5t
9	255043510034	内门架焊合 4000	Inner mast 4000	1	2.5t
9	255043510035	内门架焊合 4300	Inner mast 4300	1	2.5t



256898501057 门架(两级全自由门架)/MAST(two stage full free)

序号/NO	编码/SN	名称	Name	数量/QTY	备注/Remark
9	255043510036	内门架焊合 4500	Inner mast 4500	1	2.5t
9	255043510037	内门架焊合 5000	Inner mast 5000	1	2.5t
9	255043510038	内门架焊合 5500	Inner mast 5500	1	2.5t
9	255043510039	内门架焊合 6000	Inner mast 6000	1	2.5t
10	910100300050	螺栓GB5783-M12x30-8.8	Bolt GB5783-M12x30-8.8	4	
11	910400100008	平垫圈GB97.1-12-200HV	Washer GB97.1-12-200HV	4	
12	256544020701	垫圈Φ20xΦ13x0.5	Washer Φ20xΦ13x0.5	4	
12	256544020702	垫圈Φ20xΦ13x1	Washer Φ20xΦ13x1	4	
12	256544020703	垫圈Φ20xΦ13x0.2	Washer Φ20xΦ13x0.2	4	
13	910400500008	弹簧垫圈GB93-12	Washer GB93-12	4	
14	940200200002	侧滚轮Φ87-CD=55	Side roller Φ87-CD=55	2	
15	256844510001	带耳轴Φ30x94		2	3.0-3.5t
16	256844011001	外门架焊合 2000	Outer mast 2000	1	3.0-3.5t
16	256844011002	外门架焊合 2500	Outer mast 2500	1	3.0-3.5t
16	256844011003	外门架焊合 3000	Outer mast 3000	1	3.0-3.5t
16	256844011004	外门架焊合 3300	Outer mast 3300	1	3.0-3.5t
16	256844011005	外门架焊合 3500	Outer mast 3500	1	3.0-3.5t
16	256844011006	外门架焊合 3600	Outer mast 3600	1	3.0-3.5t
16	256844011007	外门架焊合 3700	Outer mast 3700	1	3.0-3.5t
16	256844011008	外门架焊合 4000	Outer mast 4000	1	3.0-3.5t
16	256844011009	外门架焊合 4300	Outer mast 4300	1	3.0-3.5t
16	256844011010	外门架焊合 4500	Outer mast 4500	1	3.0-3.5t
16	256844011011	外门架焊合 5000	Outer mast 5000	1	3.0-3.5t
16	256844011012	外门架焊合 5500	Outer mast 5500	1	3.0-3.5t
16	256844011013	外门架焊合 6000	Outer mast 6000	1	3.0-3.5t
16	256743511001	外门架焊合 2000	Outer mast 2000	1	2.5-2.8t
16	256743511002	外门架焊合 2500	Outer mast 2500	1	2.5-2.8t
16	256743511003	外门架焊合 3000	Outer mast 3000	1	2.5-2.8t
16	256743511004	外门架焊合 3300	Outer mast 3300	1	2.5-2.8t
16	256743511005	外门架焊合 3500	Outer mast 3500	1	2.5-2.8t
16	256743511006	外门架焊合 3600	Outer mast 3600	1	2.5-2.8t

256898501057 门架(两级全自由门架)/MAST(two stage full free)

	序号/NO	编码/SN	名称	Name	数量/QTY	备注/Remark	
	16	256743511007	外门架焊合 3700	Outer mast 3700	1	2.5-2.8t	
	16	256743511008	外门架焊合 4000	Outer mast 4000	1	2.5-2.8t	
	16	256743511009	外门架焊合 4300	Outer mast 4300	1	2.5-2.8t	
	16	256743511010	外门架焊合 4500	Outer mast 4500	1	2.5-2.8t	
	16	256743511011	外门架焊合 5000	Outer mast 5000	1	2.5-2.8t	
	16	256743511012	外门架焊合5500	Outer mast 5500	1	2.5-2.8t	
	16	256743511013	外门架焊合 6000	Outer mast 6000	1	2.5-2.8t	
	17	254144020063	轴瓦	Bearing bush	2		
	18	255044020005	支座盖	Bearing cover	2		
	19	910400500010	弹簧垫圈GB93-16	Washer GB93-16	6		
	20	910100200016	螺栓GB5785-M16x1.5x70-8.8	Bolt GB5785-M16x1.5x70-8.8	4		
	21	910100300035	螺栓GB5783-M10x20-8.8	Bolt GB5783-M10x20-8.8	4		
	22	910400100007	平垫圈GB97.1-10-200HV	Washer GB97.1-10-200HV	8		
	23	910400500007	弹簧垫圈GB93-10	Washer GB93-10	8		
	24	255044010057	带耳轴Φ30x82	AxleΦ30x82	2		
	25	255044020132	调整垫片t=0.8	Adjusting pad t=0.8	2		
	25	255044020133	调整垫片t=0.5	Adjusting pad t=0.5	2		
	25	255044020134	调整垫片t=0.2	Adjusting pad t=0.2	2		
	26	255044020131	垫板	Base plate	2		
	27	940200100024	主滚轮Φ111xΦ55x32	Roller Φ111xΦ55x32	2		

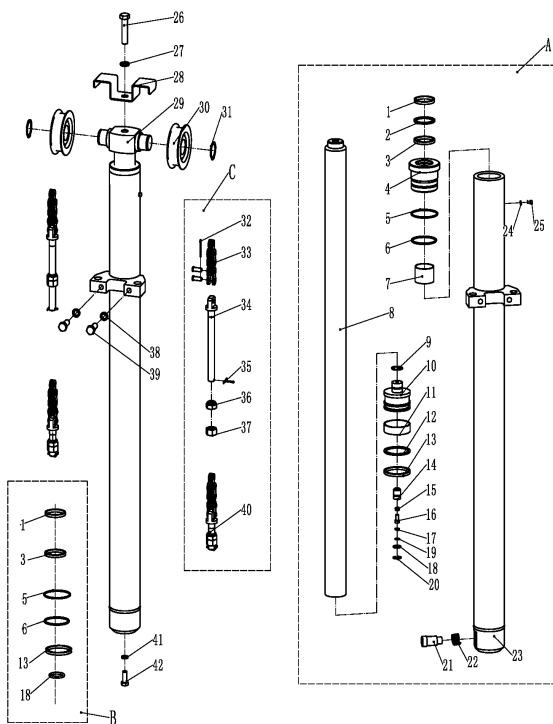
256898501058 货叉架(两级全自由门架)/FORK ARM CARRIER(two stage full free)

序号/NO	编码/SN	名称	Name	数量/QTY	备注/Remark
1	253540510001	挡货架焊合(1100x1080)	Load backrest welding	1	28Q/30Q/35Q
	256840511001	挡货架焊合1100X1200	Load backrest welding 1100X1200	1	
	255040510001	挡货架焊合(1040x986)	Load backrest welding 1040X986	1	25Q
	255040510002	挡货架焊合(1040X1300)	Load backrest welding 1040X1300	1	
	255040510003	挡货架焊合(1040X1600)	Load backrest welding 1040X1600	1	
	251140510001	挡货架焊合(1040x1635)	Load backrest welding 1040X1635	1	
	252040530001	挡货架焊合(1200x1491)	Load backrest welding 1200X1491	1	
	255040510005	挡货架焊合1200X986	Load backrest welding 1200X986	1	
252140510101	挡货架焊合(1040X1000)	Load backrest welding 1040X1000	1		
2	910100300062	螺栓GB5783-M14x30-8.8	Bolt GB5783-M14x30-8.8	4	
3	910400500009	弹簧垫圈GB93-14	Washer GB93-14	4	
4	910400100009	平垫圈GB97.1-14-200HV	Washer GB97.1-14-200HV	4	
5	256838012001	货叉架焊合(两级全自由门架)	Fork carrier weldind (two stage full free)	1	28Q/30Q/35Q
5	255038015001	货叉架焊合A(二级全自由门架)	Fork carrier weldind (two stage full free)	1	25Q
6	940200100020	主滚轮 Φ119.2xΦ55x34	Main roller φ119.2xφ55x34	6	选装
	940200100021	主滚轮 Φ119.6xΦ55x34	Main roller φ119.6xφ55x34	6	
	940200100022	主滚轮 Φ120xΦ55x34	Main roller φ120xφ55x34	6	
7	910401300026	轴用弹性挡圈GB894.1-55	Circlip GB894.1-55	6	
8	910100300042	螺栓GB5783-M10x60-8.8	Bolt GB5783-M10x60-8.8	8	
9	910400500007	弹簧垫圈GB93-10	Washer GB93-10	8	
10	940200200005	侧滚轮 Φ42-CD=68	Side roller Φ42 - CD = 68	4	
11	255038020009	调整垫	Adjustable pad	24	
12	255038020008	调整套	Adjusting sleeve	8	

256898501059 短起升油缸(两级全自由门架)/SHORT LIFTING CYLINDER (two stage full free)

序号/NO	编码/SN	名称	Name	数量/QTY	备注/Remark
A	255043510068	油缸 (M) (H=3000)	Cylinder (M)Φ85xΦ60x772(H=3000)	1	包含/Inc. 1-25
	255043510066	油缸 (M) (H=2000)	Cylinder (M)Φ85xΦ60x522(H=2000)	1	
	255043510067	油缸 (M) (H=2500)	Cylinder (M)Φ85xΦ60x647(H=2500)	1	
	255043510069	油缸 (M) (H=3300)	Cylinder (M)Φ85xΦ60x847(H=3300)	1	
	255043510070	油缸 (M) (H=3500)	Cylinder (M)Φ85xΦ60x897(H=3500)	1	
	255043510071	油缸 (M) (H=3600)	Cylinder (M)Φ85xΦ60x922(H=3600)	1	
	255043510072	油缸 (M) (H=3700)	Cylinder (M)Φ85xΦ60x947(H=3700)	1	
	255043510073	油缸 (M) (H=4000)	Cylinder (M)Φ85xΦ60x1047(H=4000)	1	
	255043510074	油缸 (M) (H=4300)	Cylinder (M)Φ85xΦ60x1122(H=4300)	1	
	255043510075	油缸 (M) (H=4500)	Cylinder (M)Φ85xΦ60x1172(H=4500)	1	
	255043510076	油缸 (M) (H=5000)	Cylinder (M)Φ85xΦ60x1297(H=5000)	1	
	255043510077	油缸 (M) (H=5500)	Cylinder (M)Φ85xΦ60x1447(H=5500)	1	
	255043510078	油缸 (M) (H=6000)	Cylinder (M)Φ85xΦ60x1572(H=6000)	1	
B	255098510004	密封件修理包(二级全自由中间缸)	Seal kits (two stage full free middle cylinder)	1	包含/Inc. 1. 3. 5. 6. 13. 18
C	256843515001	起升链条LH1634-37	Lifting chain LH1634-37	2	H=2000
	256843515002	起升链条LH1634-47	Lifting chain LH1634-47	2	H=2500
	254043510054	起升链条LH1634-53	Lifting chain LH1634-53	2	H=3000
	256144014005	起升链条LH1634-59	Lifting chain LH1634-59	2	H=3300
	263043510059	起升链条LH1634-63	Lifting chain LH1634-63	2	H=3500
	254043510055	起升链条LH1634-57	Lifting chain LH1634-57	2	H=3600
					H=3700
	254043510056	起升链条LH1634-65	Lifting chain LH1634-65	2	H=4000
	254044010055	起升链条LH1634-71	Lifting chain LH1634-71	2	H=4300
	254043510060	起升链条LH1634-75	Lifting chain LH1634-75	2	H=4500
	256144014007	起升链条LH1634-85	Lifting chain LH1634-85	2	H=5000
256843515003	起升链条LH1634-97	Lifting chain LH1634-97	2	H=5500	
256144014009	起升链条LH1634-107	Lifting chain LH1634-107	2	H=6000	
1	▲	防尘圈	Dust ring 60x74x8/11	1	
2	▲	挡片60×70×3	Catch 60×70×3	1	
3	▲	轴用密封圈	Seal ring 60×70×6	1	
4	▲	导向套	Guide sleeve	1	

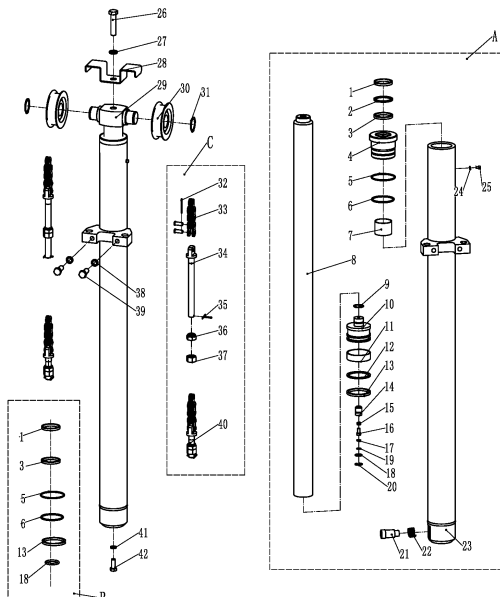
256898501059 短起升油缸(两级全自由门架)/SHORT LIFTING CYLINDER (two stage full free)



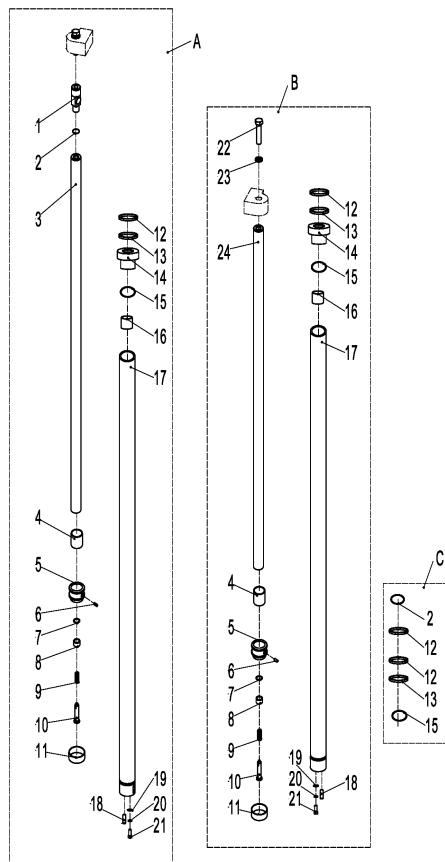
序号/NO	编码/SN	名称	Name	数量/QTY	备注/Remark
5	▲	O型密封圈	O ring 84.4x3.1	1	
6	▲	O型密封圈	O ring 77.5x3.55	1	
7	▲	钢背轴承6035	Bearing 6035	1	
8	▲	活塞杆	Piston rod	1	
9	▲	钢丝挡圈	Circlip	1	
10	▲	活塞总成	Piston assembly	1	
11	▲	支承环D85x20x2.5	Back up ring D85x20x2.5	1	
12	▲	挡圈85x70x3	Circlip 85x70x3	1	
13	▲	密封圈	Seal ring 85x70x9	1	
14	▲	阀套	Valve bushing	1	
15	▲	弹簧	Spring	1	
16	▲	阀芯	Valve plug	1	
17	▲	挡片	Catch	1	
18	▲	O型密封圈	O ring D15.8x2.4	1	
19	▲	挡圈φ12	Circlip φ12	1	
20	▲	挡圈φ22	Circlip φ22	1	
21	▲	滑阀	Slide valve	1	
22	▲	弹簧	Spring	1	
23	▲	缸体	Cylinder	1	
24	▲	垫片	Spacer	1	
25	▲	螺钉M5x5	Screw M5x5	1	
26	910100100071	螺栓GB5782-M16x50-8.8	Bolt GB5782-M16x50-8.8	1	
27	910400500010	弹簧垫圈GB93-16	Washer GB93-16	1	
28	255043520020	挡链板	Chain plate	1	
29	255043520006	缸头	Cylinder head	1	
30	940200500001	链轮轴承780708K-φ110xφ40x27	Chain wheel bearing 780708K-φ110xφ40x27	1	
31	910401300020	轴用弹性挡圈GB894.1-40	Circlip GB894.1-40	1	
32	▲	开口销2.5x40	Split pin 2.5x40	2	
33	▲	LH1623板式链	LH1623 chain	2	
34	▲	长端接头	Joint	2	
35	▲	开口销3.2x30	Split pin 3.2x30	2	

256898501059 短起升油缸(两级全自由门架)/SHORT LIFTING CYLINDER (two stage full free)

序号/NO	编码/SN	名称	Name	数量/QTY	备注/Remark
36	▲	球面螺母M18x1.5	Nut M18x1.5	2	
37	▲	螺母M18x1.5	Nut M18x1.5	2	
38	910400500009	弹簧垫圈GB93-14	Washer GB93-14	2	
39	910100400022	螺栓GB5786-M14x1.5x40-8.8	Bolt GB5786-M14x1.5x40-8.8	2	
40	▲	短端接头	Joint	2	
41	910400500008	弹簧垫圈GB93-12	SpringWasherGB93-12	1	
42	910100400009	螺栓GB5786-M12x1.25x25-8.8	BoltGB5786-M12x1.25x25-8.8	1	
C	255043510090	起升链条LH1623-37	Lifting chain LH1623-37	2	H=2000 25Q
	255044510044	起升链条LH1623-47	Lifting chain LH1623-47	2	H=2500 25Q
	255044010060	起升链条LH1623-55	Lifting chain LH1623-55	2	H=3000 25Q
	255044510135	起升链条LH1623-61	Lifting chain LH1623-61	2	H=3300 25Q
	256844014002	起升链条LH1623-65	Lifting chain LH1623-65	2	H=3500 25Q
	255044510135	起升链条LH1623-61	Lifting chain LH1623-61	2	H=3600 25Q
	255044510133	起升链条LH1623-59	Lifting chain LH1623-59		H=3700 25Q
	255044010103	起升链条LH1623-67	Lifting chain LH1623-67	2	H=4000 25Q
	255044510136	起升链条LH1623-71	Lifting chain LH1623-71	2	H=4300 25Q
	255044010101	起升链条LH1623-77	Lifting chain LH1623-77	2	H=4500 25Q
	255044010105	起升链条LH1623-87	Lifting chain LH1623-87	2	H=5000 25Q
	255044010108	起升链条LH1623-99	Lifting chain LH1623-99	2	H=5500 25Q
	255044010068	起升链条LH1634-109	Lifting chain LH1634-109	2	H=6000 25Q

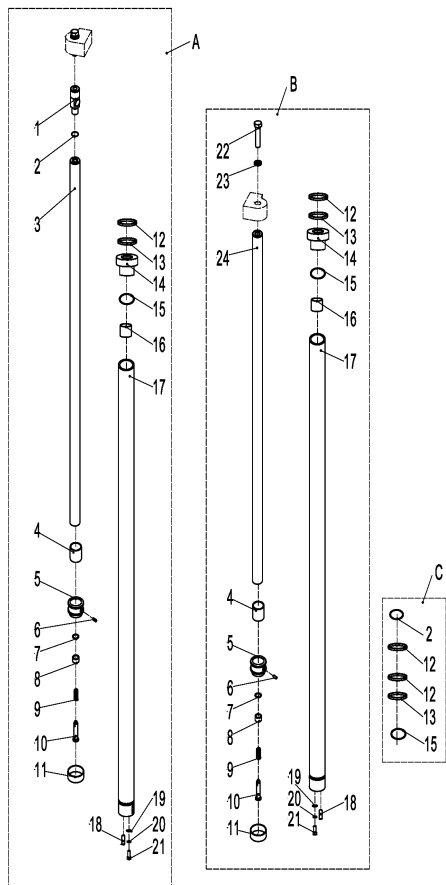


256898501060 起升油缸(两级全自由门架)/LIFTING CYLINDER (two stage full free)



序号/NO	编码/SN	名称	Name	数量/QTY	备注/Remark
A	255043510040	油缸 (L) (H=2000)	Cylinder (L) Φ50xΦ40x940(H=2000)	1	包含/Inc. 1-21
	255043510041	油缸 (L) (H=2500)	Cylinder (L) Φ50xΦ40x1190(H=2500)	1	
	255043510042	油缸 (L) (H=3000)	Cylinder (L) Φ50xΦ40x1440(H=3000)	1	
	255043510043	油缸 (L) (H=3300)	Cylinder (L) Φ50xΦ40x1590(H=3300)	1	
	255043510044	油缸 (L) (H=3500)	Cylinder (L) Φ50xΦ40x1690(H=3500)	1	
	255043510045	油缸 (L) (H=3600)	Cylinder (L) Φ50xΦ40x1740(H=3600)	1	
	255043510046	油缸 (L) (H=3700)	Cylinder (L) Φ50xΦ40x1790(H=3700)	1	
	255043510047	油缸 (L) (H=4000)	Cylinder (L) Φ50xΦ40x1890(H=4000)	1	
	255043510048	油缸 (L) (H=4300)	Cylinder (L) Φ50xΦ40x2040(H=4300)	1	
	255043510049	油缸 (L) (H=4500)	Cylinder (L) Φ50xΦ40x2140(H=4500)	1	
	255043510050	油缸 (L) (H=5000)	Cylinder (L) Φ50xΦ40x2390(H=5000)	1	
	255043510051	油缸 (L) (H=5500)	Cylinder (L) Φ50xΦ40x2590(H=5500)	1	
	255043510052	油缸 (L) (H=6000)	Cylinder (L) Φ50xΦ40x2840(H=6000)	1	
B	255043510053	油缸 (R) (H=2000)	Cylinder (R) Φ50xΦ40x940(H=2000)	1	包括/Inc. 4-21, 24
	255043510054	油缸 (R) (H=2500)	Cylinder (R) Φ50xΦ40x1190(H=2500)	1	
	255043510055	油缸 (R) (H=3000)	Cylinder (R) Φ50xΦ40x1440(H=3000)	1	
	255043510056	油缸 (R) (H=3300)	Cylinder (R) Φ50xΦ40x1590(H=3300)	1	
	255043510057	油缸 (R) (H=3500)	Cylinder (R) Φ50xΦ40x1690(H=3500)	1	
	255043510058	油缸 (R) (H=3600)	Cylinder (R) Φ50xΦ40x1740(H=3600)	1	
	255043510059	油缸 (R) (H=3700)	Cylinder (R) Φ50xΦ40x1790(H=3700)	1	
	255043510060	油缸 (R) (H=4000)	Cylinder (R) Φ50xΦ40x1890(H=4000)	1	
	255043510061	油缸 (R) (H=4300)	Cylinder (R) Φ50xΦ40x2040(H=4300)	1	
	255043510062	油缸 (R) (H=4500)	Cylinder (R) Φ50xΦ40x2140(H=4500)	1	
	255043510063	油缸 (R) (H=5000)	Cylinder (R) Φ50xΦ40x2390(H=5000)	1	
	255043510064	油缸 (R) (H=5500)	Cylinder (R) Φ50xΦ40x2590(H=5500)	1	
	255043510065	油缸 (R) (H=6000)	Cylinder (R) Φ50xΦ40x2840(H=6000)	1	
C	255098510002	密封件修理包 (二级全自由起升缸)	Seal kits (two stage full free lifting cylinder)	2	包含/Inc. 2, 12, 13, 15
1	▲	左连接杆	Connecting rod	1	
2	▲	O型密封圈	O ring 26x2.4	1	
3	▲	左柱塞杆总成	Piston rod assembly	1	
4	▲	调整套	Adjusting bushing	2	

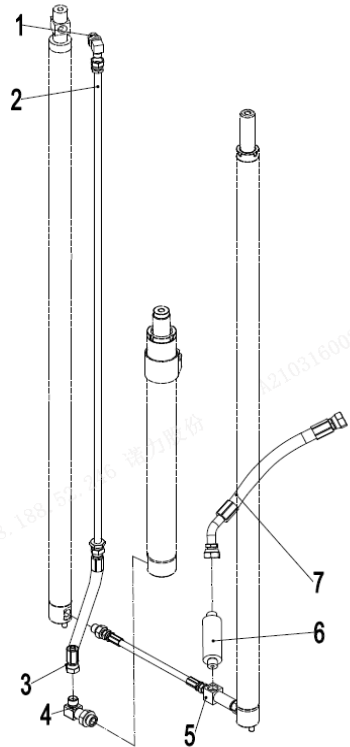
256898501060 起升油缸(两级全自由门架)/LIFTING CYLINDER (two stage full free)



序号/NO	编码/SN	名称	Name	数量/QTY	备注/Remark
5	▲	缓冲活塞	Piston	2	
6	▲	内六角凹端紧固螺钉M4x6	ScrewM4x6	2	
7	▲	钢丝挡圈 φ18	Circlip φ18	2	
8	▲	铜套	Copper bushing	2	
9	▲	弹簧	Spring	2	
10	▲	缓冲柱塞	Buffer plunger	2	
11	▲	支承环50x45x15	Supporting ring 50x45x15	2	
12	▲	防尘圈	Dust ring DKB40x52x7/10	2	
13	▲	轴用密封圈	Seal ring 40x50x6	2	
14	▲	导向套	Guide bushing	2	
15	▲	O型密封圈	O ring 49.7x2.4	2	
16	▲	钢背轴承4030	Bearing 4030	2	
17	▲	缸体	Cylinder	2	
18	▲	圆柱销10x26	Dowel pin10x26	2	
19	910400100008	平垫圈GB97.1-12-200HV	Washer GB97.1-12-200HV	2	
20	910400500008	弹簧垫圈GB93-12	Washer GB93-12	2	
21	910100400009	螺栓GB5786-M12x1.25x25-8.8	Bolt GB5786-M12x1.25x25-8.8	2	
22	910100400029	螺栓GB5786-M16x1.5x40-8.8	Bolt GB5786-M16x1.5x40-8.8	2	
23	910400500010	弹簧垫圈GB93-16	Washer GB93-16	2	
24	▲	右柱塞杆总成	Plunger rod assembly	1	

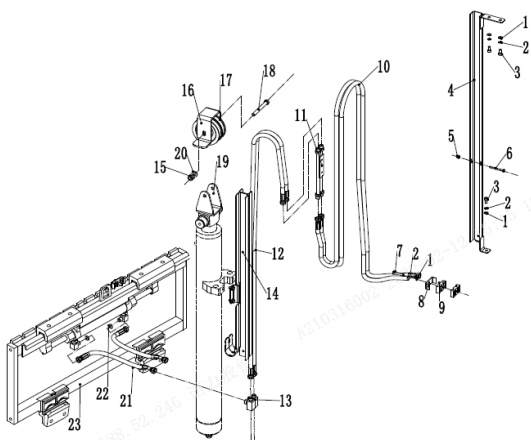
256898501061 起升管路(两级全自由门架)/LIFTING CYLINDER (two stage full free)

序号/NO	编码/SN	名称	Name	数量/QTY	备注/Remark
1	255043529001	接头(锁定弯)12-2xM22x1.5-60°	Joint 12-2xM22x1.5-60°	1	
2	255043520009	液压钢管焊合L=760	Rise steel pipe L=760	1	H=2000
	255043520010	液压钢管焊合L=1010	Rise steel pipe L=1010	1	H=2500
	255043520011	液压钢管焊合L=1300	Rise steel pipe L=1300	1	H=3000
	255043520012	液压钢管焊合L=1460	Hydraulic pipe L=1460	1	H=3300
	255043520013	液压钢管焊合L=1610	Hydraulic pipe L=1610	1	H=3500/3600/3700
	255043520014	液压钢管焊合L=1850	Hydraulic pipe L=1850	1	H=4000
	255043520015	液压钢管焊合L=2010	Hydraulic pipe L=2010	1	H=4300
	255043520016	液压钢管焊合L=2110	Hydraulic pipe L=2110	1	H=4500
	255043520017	液压钢管焊合L=2360	Hydraulic pipe L=2360	1	H=5000
	255043520018	液压钢管焊合L=2710	Hydraulic pipe L=2710	1	H=5500
255043520019	液压钢管焊合L=2960	Hydraulic pipe L=2960	1	H=6000	
3	255044020119	液压管总成(直)15-L395-2SC-60°	Hydraulic hose assembly 15-L395-2SC-60°	1	
4	255043520022	接头(锁定弯)2-M27x2-M22x1.5	Joint 2-M27x2-M22x1.5	1	
5	255044010040	接头(三通)	Joint	1	
6	950700300002	限速阀XSF-F16L-48	Speed limit valve XSF-F16L-48	1	
7	252144029001	液压管总成(135°)15-L850-2SC-60°	Hydraulic hose assembly (135°)15-L850-2SC	1	
8	255044020150	液压管总成(直)15-L360-2SC-60°	Hydraulic hose assembly 15-L360-2SC-60°	1	

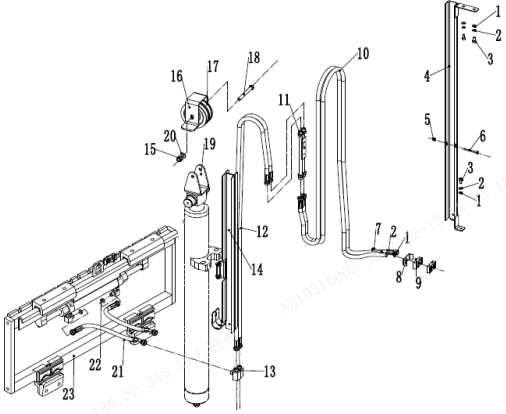


256898501062 单附加管路(两级全自由门架)/pipeline installation (two stage full free)

序号/NO	编码/SN	名称	Name	数量/QTY	备注/Remark
1	910400100006	平垫圈GB97.1-8-200HV	Washer GB97.1-8-200HV	11	
2	910400500006	弹簧垫圈GB93-8	Washer GB93-8	11	
3	910200200057	螺钉GB70.1-M8x20-8.8	Screw GB70.1-M8x20-8.8	7	
4	255028510001	外导槽焊合L=670	Groove welding L=670	1	H=2000
	255028510002	外导槽焊合L=840	Groove welding L=840	1	H=2500
	255028510003	外导槽焊合L=1090	Groove welding L=1090	1	H=3000
	255028510004	外导槽焊合L=1240	Groove welding L=1240	1	H=3300/3500
	255028510005	外导槽焊合L=1390	Groove welding L=1390	1	H=3600/3700
	255028510006	外导槽焊合L=1640	Groove welding L=1640	1	H=4000
5	910300500003	螺母GB889.1-M6-10	Nut GB889.1-M6-10	2	
6	910200200046	螺钉GB70.1-M6x60-8.8	Screw GB70.1-M6x60-8.8	2	
7	910100300025	螺栓GB5783-M8x35-8.8	Bolt GB5783-M8x35-8.8	4	
8	255028520035	安装板(管夹)	Pipe press fixedly plank	1	
9	255028520034	胶管固定块	Hose fixing bloke	2	
10	252030520016	液压管总成(直)10-L2220-1SC-60°	Hydraulic hose assembly 10-L2220-1SC-60°	2	H=2000
	254130520009	液压管总成(直)10-L2470-1SC-60°	Hydraulic hose assembly 10-L2470-1SC-60°	2	H=2500
	263028520010	液压管总成(直)10-L2940-1SC-60°	Hydraulic hose assembly 10-L2940-1SC-60°	2	H=3000
	255031020013	液压管总成(直)10-L3180-1SC-60°	Hydraulic hose assembly 10-L3180-1SC-60°	2	H=3300/3500
	254128520039	液压管总成(直)10-L3250-1SC-60°	Hydraulic hose assembly 10-L3250-1SC-60°	2	H=3600/3700
	255028520059	液压管总成(直)10-L3600-1SC-60°	Hydraulic hose assembly 10-L3600-1SC-60°	2	H=4000
11	255028510022	过渡钢管	Transition steel pipe	1	
12	255028520008	液压管总成(直)10-L1030-1SC-60°	Hydraulic hose assembly10-L1030-1SC-60°	2	H=2000
	255028520009	液压管总成(直)10-L1280-1SC-60°	Hydraulic hose assembly10-L1280-1SC-60°	2	H=2500
	255028520010	液压管总成(直)10-L1470-1SC-60°	Hydraulic hose assembly10-L1470-1SC-60°	2	H=3000
	255028520011	液压管总成(直)10-L1620-1SC-60°	Hydraulic hose assembly10-L1620-1SC-60°	2	H=3300
	255028520012	液压管总成(直)10-L1730-1SC-60°	Hydraulic hose assembly10-L1730-1SC-60°	2	H=3500
	255028520013	液压管总成(直)10-L1550-1SC-60°	Hydraulic hose assembly10-L1550-1SC-60°	2	H=3600/3700
255028520015	液压管总成(直)10-L1770-1SC-60°	Hydraulic hose assembly10-L1770-1SC-60°	2	H=4000	
13	255029020024	接头(锁定弯)8-2xM16x1.5-60°	Joint 8-2XM16x1.5-60°	2	
14	255028510011	内导槽焊合L=545	Groove welding L=545	1	H=2000
	255028510012	内导槽焊合L=670	Groove welding L=670	1	H=2500

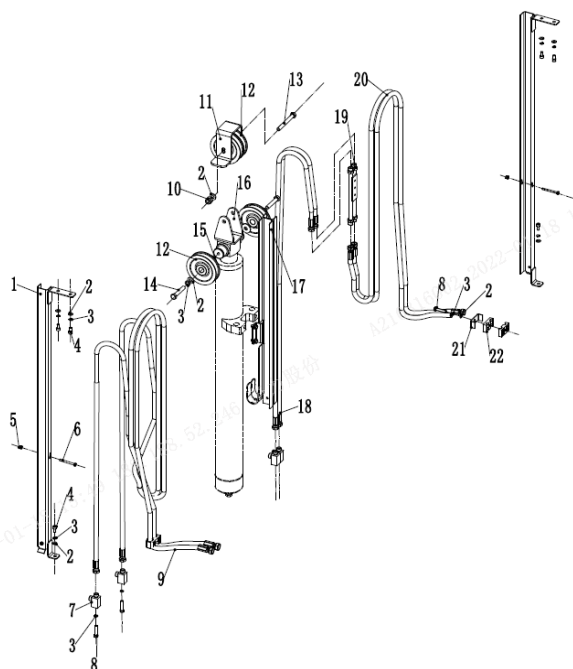


256898501062 单附加管路(两级全自由门架)/pipeline installation (two stage full free)

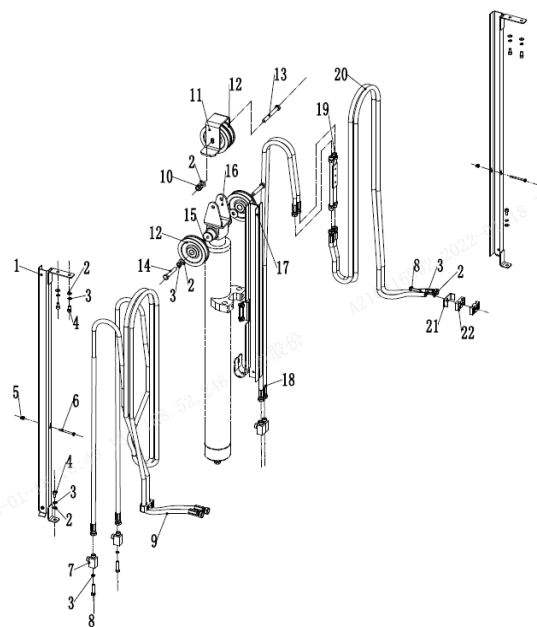
	序号/NO	编码/SN	名称	Name	数量/QTY	备注/Remark	
	14	255028510013	内导槽焊合L=795	Groove welding L=795	1	H=3000	
		255028510014	内导槽焊合L=870	Groove welding L=870	1	H=3500	
		255028510015	内导槽焊合L=920	Groove welding L=920	1	H=3600	
		255028510016	内导槽焊合L=960	Groove welding L=960	1	H=3700	
		255028510018	内导槽焊合L=970	Groove welding L=960	1	H=4000	
		255028510017	内导槽焊合L=1070	Groove welding L=960	1		
	15	910300500006	螺母GB889.1-M12-10	Nut GB889.1-M12-10	1		
	16	255028520043	挡板	board	1		
	17	255030520021	滑轮Φ110x27(单槽)	Pulley Φ110x27	4		
	18	910100100058	螺栓GB5782-M12x100-8.8	Bolt GB5782-M12x100-8.8	1		
	19	255030520026	滑轮架体	Pulley frame	1		
	20	910400100006	平垫圈GB97.1-8-200HV	Washer GB97.1-8-200HV	10		
	21	255042520101	液压管总成(90°)10-L500-1SC-60°-0°	Hydraulic hose assembly (90°)10-L500-1SC-60°-0°	2		
	22	910800100001	O形圈-内9.5x1.8	Oring 9.5x1.8	2		
	23	255042510004	侧移器总成(LH)	Side shifter assembly(LH)	1		
		255042510001	侧移器总成(LD)	Side shifter assembly(LD)	1		
		255042510002	侧移器总成(卡斯卡特)	Side shifter assembly(CASCADE)	1		

256898501063 双附加管路(两级全自由门架)/pipeline installation (two stage full free)

序号/NO	编码/SN	名称	Name	数量/QTY	备注/Remark
1	255029010001	外导槽焊合L=670	Groove welding L=670	1	H=2000
	255029010002	外导槽焊合L=840	Groove welding L=840	1	H=2500
	255029010003	外导槽焊合L=1090	Groove welding L=1090	1	H=3000
	255029010004	外导槽焊合L=1240	Groove welding L=1240	1	H=3300/3500
	255029010005	外导槽焊合L=1390	Groove welding L=1390	1	H=3600/3700
	255029010006	外导槽焊合L=1640	Groove welding L=1640	1	H=4000
2	910400100006	平垫圈GB97.1-8-200HV	Washer GB97.1-8-200HV	10	
3	910400500006	弹簧垫圈GB93-8	Washer GB93-8	13	
4	910200200057	螺钉GB70.1-M8x20-8.8	Screw GB70.1-M8x20-8.8	13	
5	910300500003	螺母GB889.1-M6-10	Nut GB889.1-M6-10	3	
6	910200200046	螺钉GB70.1-M6x60-8.8	Screw GB70.1-M6x60-8.8	3	
7	255029020024	接头(锁定弯)8-2xM16x1.5-60°	Joint 8-2xM16x1.5-60°	4	
8	910100300025	螺栓GB5783-M8x35-8.8	Bolt GB5783-M8x35-8.8	4	
9	284023520003	液压管总成(90°)10-L2500-1SC-60°	Hydraulic hose assembly (90°) 10-L2500-1	2	H=2000
	255028520042	液压管总成(90°)10-L2500-1SC-60°	Hydraulic hose assembly (90°) 10-L2800-1	2	H=2500
	252028520022	液压管总成(90°)10-L2500-1SC-60°	Hydraulic hose assembly (90°) 10-L3250-1	2	H=3000
	252030520003	液压管总成(90°)10-L2500-1SC-60°	Hydraulic hose assembly (90°) 10-L3470-1	2	H=3300/3500
	252030520001	液压管总成(90°)10-L3600-1SC-60°	Hydraulic hose assembly (90°) 10-L3550-1	2	H=3600/3700
	252030520014	液压管总成(90°)10-L3900-1SC-60°	Hydraulic hose assembly (90°) 10-L3900-1	2	H=4000
10	910300500006	螺母GB889.1-M12-10	Nut GB889.1-M12-10	1	
11	255028520043	挡板	board	1	
12	255030520021	滑轮Φ110x27(单槽)	Pulley Φ110x27	4	
13	910100100058	螺栓GB5782-M12x100-8.8	Bolt GB5782-M12x100-8.8	1	
14	910100300054	螺栓GB5783-M12x50-8.8	Bolt GB5783-M12x50-8.8	2	
15	910400200005	大垫圈GB96.1-12-200HV	Washer GB96.1-12-200HV	2	
16	255030520026	滑轮架体	Pulley frame	1	
17	255029010008	内导槽焊合L=545	Groove welding L=545	1	H=2000
	255029010009	内导槽焊合L=670	Groove welding L=670	1	H=2500
	255029010010	内导槽焊合L=795	Groove welding L=795	1	H=3000
	255029010011	内导槽焊合L=870	Groove welding L=870	1	H=3300
	255029010014	内导槽焊合L=920	Groove welding L=920	1	H=3500



256898501063 双附加管路(两级全自由门架)/pipeline installation (two stage full free)

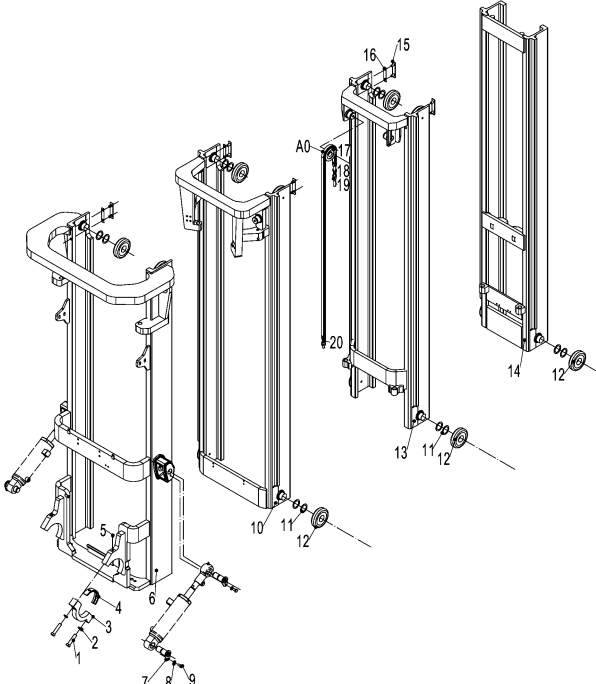


序号/NO	编码/SN	名称	Name	数量/QTY	备注/Remark
17	255029010012	内导槽焊合L=960	Groove welding L=960	1	H=3600
	255029010015	内导槽焊合L=970	Groove welding L=970		H=3700
	255029010013	内导槽焊合L=1070	Groove welding L=1070		H=4000
18	255029020009	液压管总成(直) 10-L820-1SC-60°	Hydraulic hose assembly 10-L820-1SC-60°	2	H=2000
	255029020010	液压管总成(直) 10-L1070-1SC-60°	Hydraulic hose assembly 10-L1070-1SC-60°	2	H=2500
	255029020011	液压管总成(直) 10-L1260-1SC-60°	Hydraulic hose assembly 10-L1260-1SC-60°	2	H=3000
	255029020012	液压管总成(直) 10-L1410-1SC-60°	Hydraulic hose assembly 10-L1410-1SC-60°	2	H=3300
	255029020013	液压管总成(直) 10-L1510-1SC-60°	Hydraulic hose assembly 10-L1510-1SC-60°	2	H=3500
	255029020014	液压管总成(直) 10-L1340-1SC-60°	Hydraulic hose assembly 10-L1340-1SC-60°	2	H=3600/3700
	255029020015	液压管总成(直) 10-L1560-1SC-60°	Hydraulic hose assembly 10-L1560-1SC-60°	2	H=4000
19	255028510022	过渡钢管	Transition steel pipe	1	
20	252030520016	液压管总成(直) 10-L2220-1SC-60°	Hydraulic hose assembly 10-L2220-1SC-60°	2	H=2000
	254130520009	液压管总成(直) 10-L2470-1SC-60°	Hydraulic hose assembly 10-L2470-1SC-60°	2	H=2500
	263028520010	液压管总成(直) 10-L2940-1SC-60°	Hydraulic hose assembly 10-L2940-1SC-60°	2	H=3000
	255031020013	液压管总成(直) 10-L3180-1SC-60°	Hydraulic hose assembly 10-L3180-1SC-60°	2	H=3300/3500
	254128520039	液压管总成(直) 10-L3250-1SC-60°	Hydraulic hose assembly 10-L3250-1SC-60°	2	H=3600/3700
	255028520059	液压管总成(直) 10-L3600-1SC-60°	Hydraulic hose assembly 10-L3600-1SC-60°	2	H=4000
21	255028520035	安装板(管夹)	Pipe press fixedly plank	2	
22	255028520034	胶管固定块	Hose fixing bloke	4	

256898501064 门架 (四级门架)/Mast (four stage full free lift)

序号/NO	编码/SN	名称	Name	数量/QTY	备注/Remarks
1	910100200012	螺栓GB5785-M14x1.5x70-8.8	Bolt GB5785-M14x1.5x70-8.8	4	
2	910400500009	弹簧垫圈GB93-14	Washer GB93-14	4	
3	256844021014	支座盖	Bearing cover	2	
4	254144020063	轴瓦	Bearing bush	2	
5	911200100004	油杯JB7940.1-M10x1	Oil Cup JB7940.1-M10x1	2	
6	256945211021	外门架焊合(6100)	Outer mast 6100	1	H=6100
6	256945211022	外门架焊合(6600)	Outer mast 6600	1	H=6600
6	256945211023	外门架焊合(7000)	Outer mast 7000	1	H=7000
7	255044010057	带耳轴Φ30x82	Axle Φ30x82	4	
8	910400500007	弹簧垫圈GB93-10	Washer GB93-10	4	
9	910100300035	螺栓GB5783-M10x20-8.8	Bolt GB5783-M10x20-8.8	4	
10	253645213001	中门架焊合(1) 6100	Middle mast 6100	1	H=6100
	253645213002	中门架焊合(1) 6600	Middle mast 6600	1	H=6600
	253645213003	中门架焊合(1) 7000	Middle mast 7000	1	H=7000
11	253645220001	主滚轮调整圈T0.2	Washer 0.2	12	
	253645220002	主滚轮调整圈T0.5	Washer 0.5	12	
	253645220003	主滚轮调整圈T1	Washer 1	12	
12	940200100053	主滚轮Φ117.5xΦ40x28	Roller Φ117.5xΦ40x28	12	选配
	940200100054	主滚轮Φ117.0xΦ40x28	Roller Φ117.0xΦ40x28	12	
13	256945211401	中门架焊合(2) 6100	Middle mast 6100	1	H=6100
	256945211402	中门架焊合(2) 6600	Middle mast 6600	1	H=6600
	256945211403	中门架焊合(2) 7000	Middle mast 7000	1	H=7000
14	253645212001	内门架焊合 6100	Inner mast 6100	1	H=6100
	253645212002	内门架焊合 6600	Inner mast 6600	1	H=6600
	253645212003	内门架焊合 7000	Inner mast 7000	1	H=7000
15	253644520011	垫板	Base plate	6	
16	253644520132	调整垫片t=0.2	Adjusting pad t=0.2	6	
	253644520133	调整垫片t=0.5	Adjusting pad t=0.5	6	
	253644520134	调整垫片t=0.8	Adjusting pad t=0.8	6	
17	940200500015	链轮轴承780708K3-Φ95xΦ40x27	Sprocket Bearing 780708K3-Φ95xΦ40x27	2	
18	910300200012	螺母GB6171-M18x1.5-10	Nut GB6171-M18x1.5-10	10	

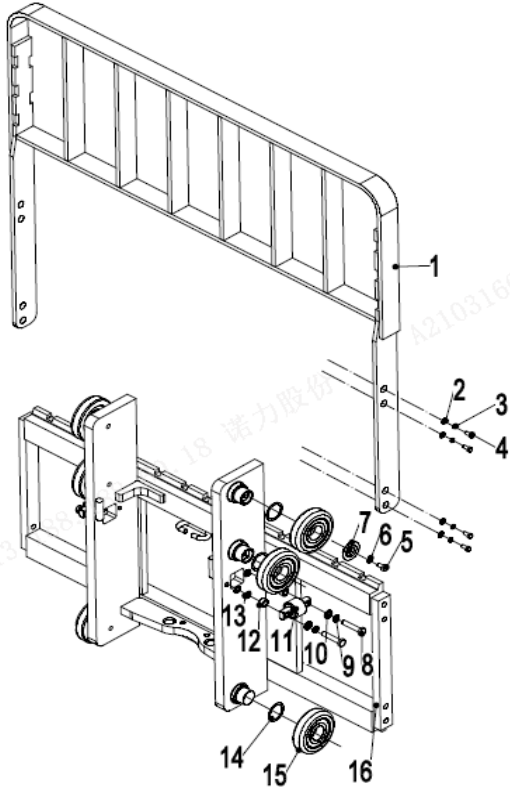
256898501064 门架 (四级门架)/Mast (four stage full free lift)

	序号/NO	编码/SN	名称	Name	数量/QTY	备注/Remarks
	19	255044020157	链条螺栓M18x1.5x217	Joint M18x1.5x217	4	
	20	255044020156	链条螺栓M18x1.5x102	Joint M18x1.5x102	4	
	A0	255044010106	起升链条LH1623-89	Lifting chain LH1623-89	2	H=6100
		253543510066	起升链条LH1623-93	Lifting chain LH1623-93	2	H=6600
	255044010108	起升链条LH1623-99	Lifting chain LH1623-99	2	H=7000	

256898501065 门架起升管路 (四级门架)/Mast lifting pipeline (four stage full free lift)

序号/NO	编码/SN	名称	Name	数量/QTY	备注/Remarks
1	251223520122	接头(直)12-M20x1.5-M22x1.5-24°	Connector 12-M20x1.5-M22x1.5-24°	1	
2	253644529001	液压管总成(直)10-L370-1SC-24°	Hydraulic hose assembly 10-L370-1SC-24°	1	
3	950400100002	接头(转接直)12-2xM16x1.5-24°	Connector 12-2xM16x1.5-24°	1	
4	256898520001	防爆阀	explosion-proof valve	1	
5	253645219004	三通过渡钢管焊接	Three through the transition steel pipe welding	1	
6	253644529004	液压管总成(135°)15-L850-2SC-24° (带)	Hydraulic hose assembly (135°)15-L850-2SC-24°	1	
7	950700300003	限速阀XSF-F16L-60	Speed limit valve XSF-F16-60	1	
8	255023520030	接头(直)12-2xM22x1.5-60°	Joint 12-2xM22x1.5-60°	1	
9	253645219002	三通焊接(四级)	Three joint welding	1	
10	910400100006	平垫圈GB97.1-8-200HV	Washer GB97.1-8-200HV	2	
11	910400500006	弹簧垫圈GB93-8	Washer GB93-8	2	
12	910100100019	螺栓GB5782-M8x20-8.8	Bolt GB5782-M8x20-8.8	2	
13	253644529002	液压管总成曲直(90°)15-L550-2SC-24°	Hydraulic hose assembly (90°)15-L550-2SC-24°	1	
14	251244529002	接头(锁定弯)12-M27x2-M22x1.5-24°	Joint 12-M27x2-M22x1.5-24°	1	
15	251223520030	接头(直)15-M22x1.5-M22x1.5-24°	Joint 15-M22x1.5-M22x1.5-24°	1	
16	950400500006	接头(隔壁直)15-M22x1.5-M22x1.5-24°	Joint 15-M22x1.5-M22x1.5-24°	1	
17	253645229001	接头过板	Joint over board	1	
18	910100300023	螺栓GB5782-M8x25-8.8	Bolt GB5782-M8x25-8.8	2	
19	253644519301	液压管总成(直)15-L1920-2SC-24°	Hydraulic hose assembly 15-L1920-2SC-24°	1	H=6100
	253645219302	液压管总成(直)15-L2180-2SC-24°	Hydraulic hose assembly 15-L2180-2SC-24°	1	H=6600
	253645219303	液压管总成(直)15-L2500-2SC-24°	Hydraulic hose assembly 15-L2500-2SC-24°	1	H=7000
20	255044520081	衬套Φ20XΦ13x33	Bush Φ20XΦ13x33	1	
21	255044520096	滑轮Φ120x36(单槽)	Pulley Φ120x36 (Single)	1	
22	910400100008	平垫圈GB97.1-12-200HV	Washer GB97.1-12-200HV	1	
23	910400500008	弹簧垫圈GB93-12	Washer GB93-12	1	
24	910100300054	螺栓GB5783-M12x50-8.8	Bolt GB5783-M12x50-8.8	1	
25	253645219003	中缸过渡钢管焊接	Welding of intermediate cylinder transition	1	

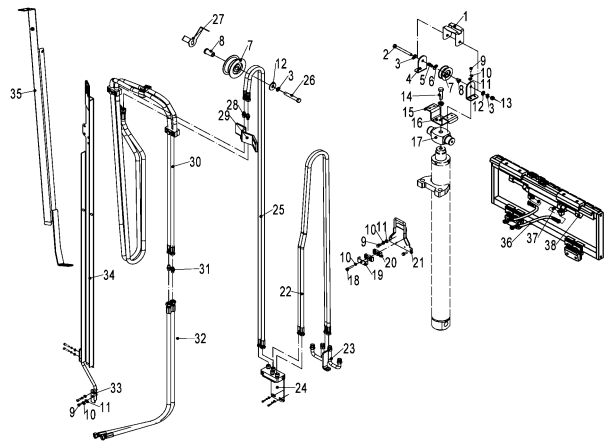
256898501066 货叉架（四级门架）/ Fork carrier (four stage full free lift)



序号/NO	编码/SN	名称	Name	数量/QTY	备注/Remarks
1	253740510001	挡货架焊合1100x1080	Load backrest welding(1100x1080)	1	
2	910400100009	平垫圈GB97.1-14-200HV	Washer GB97.1-14-200HV	8	
3	910400500009	弹簧垫圈GB93-14	Washer GB93-14	8	
4	910100300062	螺栓GB5783-M14x30-8.8	Bolt GB5783-M14x30-8.8	8	
5	910100300020	螺栓GB5783-M8x16-8.8	Bolt GB5783-M8x16-8.8	2	
6	910400500006	弹簧垫圈GB93-8	Spring Washer GB93-8	2	
7	253638020301	滚轮压盖	Roller cover	2	
8	910100300041	螺栓GB5783-M10x50-8.8	Bolt GB5783-M10x50-8.8	4	
9	910400500007	弹簧垫圈GB93-10	Washer GB93-10	8	
10	910400100007	平垫圈GB97.1-10-200HV	Washer GB97.1-14-200HV	8	
11	940200200005	侧滚轮Φ42-CD=68	Side roller Φ 42 - CD = 68	2	
12	255038020008	调整套	Adjusting sleeve	4	
13	255038020009	调整垫	Adjustable pad	12	
14	253644520020	垫圈Φ45xΦ36x0.2	Washer Φ45xΦ36x0.2	6	
	253644520021	垫圈Φ45xΦ36x0.5	Washer Φ45xΦ36x0.5	6	
	253644520015	垫圈Φ45xΦ36x1	Washer Φ45xΦ36x1	6	
15	940200100053	主滚轮Φ117.5xΦ40x28	Roller Φ117.5xΦ40x28	12	选配
	940200100054	主滚轮Φ117.7xΦ40x28	Roller Φ117.7xΦ40x28	12	
	940200100055	主滚轮Φ117.2xΦ40x28	Roller Φ117.2xΦ40x28	12	
16	253738014001	货叉架焊合(四级全自由门架1040)	Assembly drawing of fork rack welding	1	32C

256898501067 侧移器及管路安装(四级门架)/Side shifter and pipeline installation(four stage full free lift)

序号/NO	编码/SN	名称	Name	数量/QTY	备注/Remarks
1	253630520904	中缸胶管护罩	Middle cylinder rubber tube cover	1	
2	910100100060	螺栓GB5782-M12x120-8.8	Bolt GB5782-M12X120-8.8	1	
3	910400500008	弹簧垫圈GB93-12	Spring washers GB93-12	3	
4	253630520906	支架	Stent	2	
5	254130520016	衬套Φ20xΦ13x43	bush Φ20x φ13x43	1	
6	910400200005	大垫圈GB96.1-12-200HV	Large washers GB96.1-12-200HV	2	
7	251127520001	滑轮Φ110x42(双槽)	Pulley φ110x42(double groove)	2	
8	255044520081	衬套Φ20XΦ13x33	bush Φ20x φ13x33	2	
9	910100300020	螺栓GB5783-M8x16-8.8	Bolt GB5783-M8x16-8.8	6	
10	910400500006	弹簧垫圈GB93-8	Spring washers GB93-8	6	
11	910400100006	平垫圈GB97.1-8-200HV	Plain washers GB97.1-8-200HV	6	
12	910400100008	平垫圈GB97.1-12-200HV	Plain washers GB97.1-12-200HV	3	
13	910300100008	螺母GB6170-M12-10	Nuts GB6170-M12-10	1	
14	910100200016	螺栓GB5785-M16x1.5x70-8.8	Bolt GB5785-M16x1.5x70-8.8	1	
15	910400500010	弹簧垫圈GB93-16	Spring washers GB93-16	1	
16	253645220012	中缸链条挡板	Middle cylinder chain baffle	1	
17	253645220011	缸头	Cylinder head	1	
18	910100300025	螺栓GB5783-M8x35-8.8	Bolt GB5783-M8x35-8.8	4	
19	255028520035	管夹安装板	Pipe clamp mounting plate	4	
20	255028520034	胶管固定块	Rubber tube fixing block	8	
21	253630510001	中缸胶管过渡架	Intermediate cylinder rubber tube transiti	1	
22	251328520704	液压管总成(直)10-L2220-1SC-24°	Hydraulic hose assembly 10-L2220-1SC	2	H=6100
	251329020702	液压管总成(直)10-L2360-1SC-24°	Hydraulic hose assembly 10-L2360-1SC	2	H=6600
	251330520702	液压管总成(直)10-L2510-1SC-24°	Hydraulic hose assembly 10-L2510-1SC	2	H=7000
23	253631120001	单附胶管支架(24°)	Single attached hose bracket (24°)	1	
24	253631110003	接头体	Joint body	1	
25	253631120101	液压管总成(直)10-L1850-1SC-24°	Hydraulic hose assembly 10-L1850-1SC	2	H=6100
	253631120102	液压管总成(直)10-L1980-1SC-24°	Hydraulic hose assembly 10-L1980-1SC	2	H=6600
	251228520702	液压管总成(直)10-L2150-1SC-24°	Hydraulic hose assembly 10-L2150-1SC	2	H=7000
26	910100100054	螺栓GB5782-M12x80-8.8	Bolt GB5782-M12x80-8.8	1	
27	256844520021	胶管挡板	Hose baffle	1	



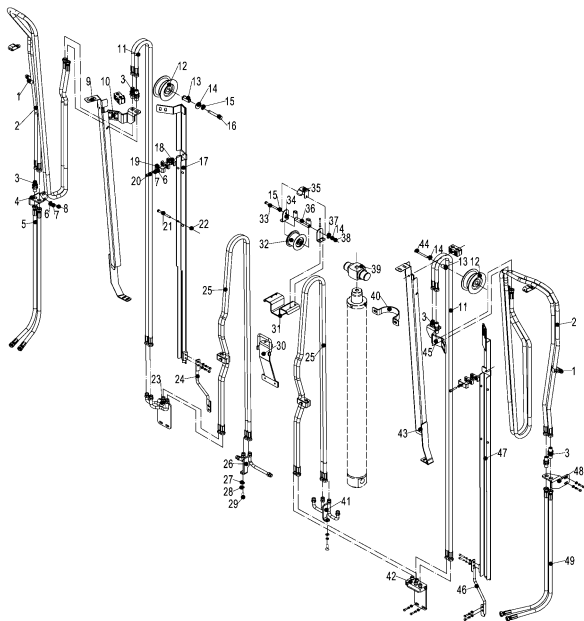
256898501067 侧移器及管路安装(四级门架)/Side shifter and pipeline installation(four stage full free lift)

序号/NO	编码/SN	名称	Name	数量/QTY	备注/Remarks
28	950400600006	接头(隔壁弯短)10-M16x1.5-M16x1.5-24°	Joint 10-M16x1.5-M16x1.5-24°	2	
29	253631120002	接头过渡板	Joint Transition Plate	1	
30	251230520704	液压管总成(直)10-L2610-1SC-24°	Hydraulic hose assembly 10-L2610-1SC	2	
	253631020205	液压管总成(直)10-L2970-1SC-24°	Hydraulic hose assembly 10-L2970-1SC	2	
	251231020706	液压管总成(直)10-L3450-1SC-24°	Hydraulic hose assembly 10-L3450-1SC	2	
31	251330510004	液压钢管焊合(24°)	Hydraulic steel pipe welding (24°)	1	
32	253630520006	液压管总成(直)10-L1070-1SC-24°	Hydraulic hose assembly 10-L1070-1SC	2	
33	253631110001	内导槽(右)连接杆	Internal guide groove (right) connecting r	1	
34	253631110701	外导槽焊合6100	External guide groove welding 6100	1	H=6100
	253631110702	外导槽焊合6600	External guide groove welding 6600	1	H=6600
	253631110703	外导槽焊合7000	External guide groove welding 7000	1	H=7000
35	253631110704	内导槽焊合6100	Internal Guide Groove Welding 6100	1	H=6100
	253631110705	内导槽焊合6600	Internal Guide Groove Welding 6600	1	H=6600
	253631110706	内导槽焊合7000	Internal Guide Groove Welding 7000	1	H=7000
36	910400100005	平垫圈GB97.1-6-200HV	Plain washers GB97.1-6-200HV	1	
37	910400500005	弹簧垫圈GB93-6	Spring washers GB93-6	1	
38	910100100123	螺栓GB5782-M6x20-8.8	Bolt GB5782-M6X20-8.8	1	
39	253631120003	单附导槽安装弯架	Install bent frame with single guide groove	1	
40	251242520001	液压胶管总成(90°)12-L300-1SC-24°-0	Hydraulic hose assembly (90°)12-L300-1	2	
41	910800100001	O形圈-内9.5x1.8	Oring 9.5x1.8	4	
42	256042510004	外置侧移器1100(LH)	Side shifter assembly1100(LH)	1	
	253542510001	外置侧移器1100(LD)	Side shifter assembly1100(LD)	1	
	256042510002	侧移器总成(卡斯卡特)	Side shifter assembly(CASCADE)	1	

256898501068 双附加管路(四级门架)/DOUBLE ADDITIONAL TUBE((four stage full free lift)

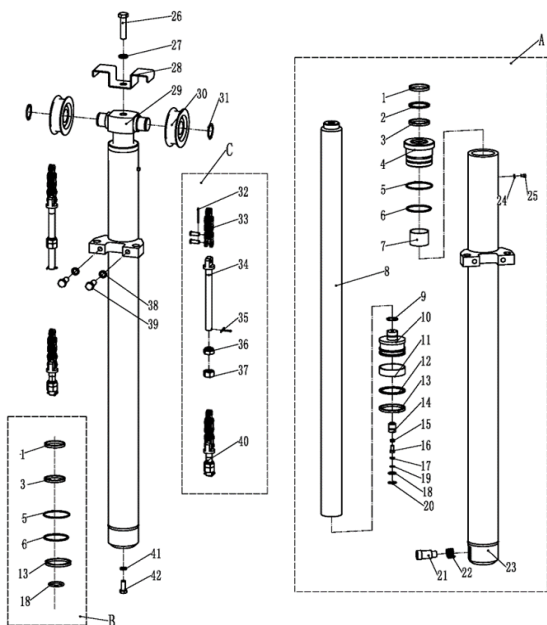
序号/NO	编码/SN	名称	Name	数量/QTY	备注/Remarks
1	951000100004	管夹YGE包胶26	Hose Clamp 26	4	
2	251230520704	液压管总成(直)10-L2610-1SC-24°	Hydraulic hose assembly 10-L2610-1SC	4	H=6100
2	253631020205	液压管总成(直)10-L2970-1SC-24°	Hydraulic hose assembly 10-L2970-1SC	4	H=6600
2	251231020706	液压管总成(直)10-L3450-1SC-24°	Hydraulic hose assembly 10-L3450-1SC	4	H=7000
3	950400500006	接头(隔壁直)15-M22x1.5-M22x1.5-24°	Joint 15-M22x1.5-M22x1.5-24°	8	
4	253631320005	过渡安装板	Transitional mounting plate	1	
5	253631320101	液压管总成(直)10-L1500-1SC-24°	Hydraulic hose assembly 10-L1500-1SC	2	
6	910400100006	平垫圈GB97.1-8-200HV	Plain washers GB97.1-8-200HV	23	
7	910400500006	弹簧垫圈GB93-8	Spring washers GB93-8	23	
8	910100300020	螺栓GB5783-M8x16-8.8	Bolt GB5783-M8x16-8.8	20	
9	253631310701	外导槽焊合6100	External guide groove welding 6100	1	H=6100
	253631310702	外导槽焊合6600	External guide groove welding 6600	1	H=6600
	253631310703	外导槽焊合7000	External guide groove welding 7000	1	H=7000
10	253631320004	接头过渡板	Joint Transition Plate	1	
11	253631120101	液压管总成(直)10-L1850-1SC-24°	Hydraulic hose assembly 10-L1850-1SC	4	H=6100
	253631120102	液压管总成(直)10-L1980-1SC-24°	Hydraulic hose assembly 10-L1980-1SC	4	H=6600
	251228520702	液压管总成(直)10-L2150-1SC-24°	Hydraulic hose assembly 10-L2150-1SC	4	H=7000
12	251127520001	滑轮Φ110x42(双槽)	Pulley Φ110x42(double groove)	2	
13	255044520081	衬套Φ20XΦ13x33	bush Φ20x Φ13x33	2	
14	910400200005	大垫圈GB96.1-12-200HV	Large washers GB96.1-12-200HV	6	
15	910400500008	弹簧垫圈GB93-12	Spring washers GB93-12	3	
16	910100100054	螺栓GB5782-M12x80-8.8	Bolt GB5782-M12x80-8.8	1	
17	253631310704	内导槽焊合6100	Internal Guide Groove Welding 6100	1	H=6100
	253631310705	内导槽焊合6600	Internal Guide Groove Welding 6600	1	H=6600
	253631310706	内导槽焊合7000	Internal Guide Groove Welding 7000	1	H=7000
18	255028520034	胶管固定块	Rubber tube fixing block	12	
19	255028520035	管夹安装板	Pipe clamp mounting plate	6	
20	910100300027	螺栓GB5783-M8x45-8.8	Bolt GB5783-M8x45-8.8	6	
21	910100300018	螺栓GB5783-M6x60-8.8	Bolt GB5783-M6x60-8.8	4	
22	910300500003	螺母GB889.1-M6-10	Nut GB889.1-M6-10	4	
23	253631310004	液压钢管焊合(四联24°)	Hydraulic steel pipe welding (24°)	1	

256898501068 双附加管路(四级门架)/DOUBLE ADDITIONAL TUBE((four stage full free lift)



序号/NO	编码/SN	名称	Name	数量/QTY	备注/Remarks
24	253631310001	内导槽(左)连接杆	Internal guide groove (left) connecting ro	1	
25	251328520704	液压管总成(直)10-L2220-1SC-24°	Hydraulic hose assembly 10-L2220-1SC	4	H=6100
	251329020702	液压管总成(直)10-L2360-1SC-24°	Hydraulic hose assembly 10-L2360-1SC	4	H=6600
	251330520702	液压管总成(直)10-L2510-1SC-24°	Hydraulic hose assembly 10-L2510-1SC	4	H=7000
26	253631310002	双附胶管支架(24°)	Double attached hose bracket (24°)	1	
27	910300100006	螺母GB6170-M8-10	Nut GB6170-M8-10	2	
28	910100300025	螺栓GB5783-M8x35-8.8	Bolt GB5783-M8x35-8.8	2	
29	910100300025	螺栓GB5783-M8x35-8.8	Bolt GB5783-M8x35-8.8	2	
30	253631310003	中缸胶管固定架	Intermediate cylinder rubber tube transiti	1	
31	253645220012	中缸链条挡板	Middle cylinder chain baffle	1	
32	253631020020	滑轮Φ104x76(四联)	Pulley Φ104x76	1	
33	910100100060	螺栓GB5782-M12x120-8.8	Bolt GB5782-M12x120-8.8	1	
34	253630520906	支架	Stent	2	
35	253630520904	中缸胶管护罩	Middle cylinder rubber tube cover	1	
36	253631020021	衬套Φ20xΦ13x73	Bush Φ20xΦ13x73	1	
37	910400100008	平垫圈GB97.1-12-200HV	Flat Washer GB97.1-12-200HV	2	
38	910300100008	螺母GB6170-M12-10	Nut GB6170-M12-10	1	
39	253645220011	缸头	Cylinder head	1	
40	253644520004	抱箍	Embrace hoop	1	
41	253631101002	单附胶管支架(24°)	Single attached hose bracket (24°)	1	
42	253631110003	接头体	Joint body	1	H=6100
	253631110701	外导槽焊合6100	External guide groove welding 6100	1	H=6600
	253631110702	外导槽焊合6600	External guide groove welding 6600	1	H=7000
43	253631110703	外导槽焊合7000	External guide groove welding 7000	1	
44	910100100059	螺栓GB5782-M12x110-8.8	Bolt GB5782-M12x110-8.8	1	
45	253631120002	接头过渡板	Joint Transition Plate	1	
46	253631110001	内导槽(右)连接杆	Internal guide groove (right) connecting r	1	H=6100
	253631110704	内导槽焊合6100	Internal Guide Groove Welding 6100	1	H=6600
	253631110705	内导槽焊合6600	Internal Guide Groove Welding 6600	1	H=7000
47	253631110706	内导槽焊合7000	Internal Guide Groove Welding 7000	1	
48	253631120005	过渡安装板	Transitional mounting plate	1	
49	251230520002	液压管总成(直)10-L1260-1SC-24°	Hydraulic hose assembly 10-1260-1SC-2	2	

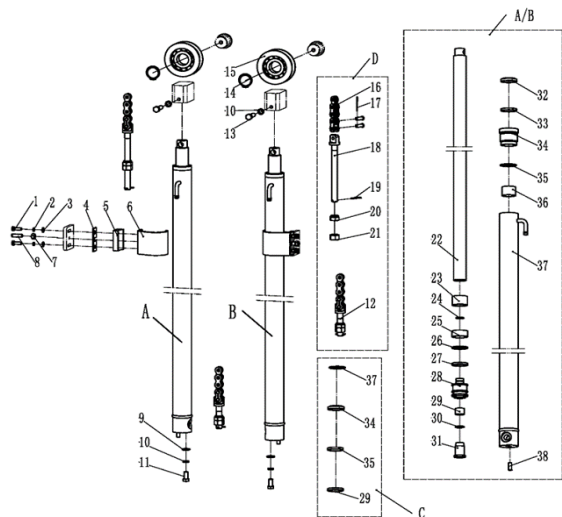
256898501069 短起升油缸(四级全自由门架)/SHORT LIFTING CYLINDER (four stage full free lift)



序号/NO	编码/SN	名称	Name	数量/QTY	备注/Remarks
A	253645218001	油缸(M) Φ75xΦ50x830	Short lifting cylinderΦ75xΦ50x830	1	H=6100
	253645218002	油缸(M) Φ75xΦ50x895	Short lifting cylinderΦ75xΦ50x895	1	H=6600
	253645218003	油缸(M) Φ75xΦ50x975	Short lifting cylinderΦ75xΦ50x975	1	H=7000
B	255098510002	密封件修理包(三级全自由中缸)	Seal kits(middle cylinder)	1	
C	255044010101	起升链条LH1623×77	Lifting chain LH1623×77	2	H=6100
	255043510139	起升链条LH1623×79	Lifting chain LH1623×79	2	H=6600
	255044510137	起升链条LH1623×81	Lifting chain LH1623×81	2	H=7000
1	▲	防尘圈50x58x7/6.5	Dust ring 50x58x7/6.5	1	
2	▲	挡片50x60x3	Catch 50x60x3	1	
3	▲	密封圈50x60x6	Seal ring 50x60x6	1	
4	▲	导向套	Glide sleeve	1	
5	▲	O型密封圈D75X3.1	O ring D75X3.1	1	
6	▲	O型密封圈D70x3.1	O ring D75X3.1	1	
7	▲	钢背轴承 50x55x40	Bearing50x55x40	1	
8	▲	HSG活塞杆	HSG Piston rod	1	
9	▲	钢丝挡圈	Circlip	1	
10	▲	活塞总成	Piston assembly	1	
11	▲	支承环75x20x2.5	Support ring 75x20x2.5	1	
12	▲	支承环75x65x3	Support ring 75x65x3	1	
13	▲	孔用密封圈	Seal ring 75x65x6	1	
14	▲	阀套	Valve cover	1	
15	▲	弹簧	Spring	1	
16	▲	阀芯	Valve plug	1	
17	▲	挡片	Catch	1	
18	▲	O型密封圈	O ring D20x2.4	1	
19	▲	孔用弹性挡圈12	Circlip 12	1	
20	▲	孔用弹性挡圈22	Circlip 22	1	
21	▲	滑阀	Slide valve	1	
22	▲	弹簧2.3x15x48.5	Spring2.3x15x48.5	1	
23	▲	缸体	Cylinder	1	
24	▲	垫片	Spacer	1	

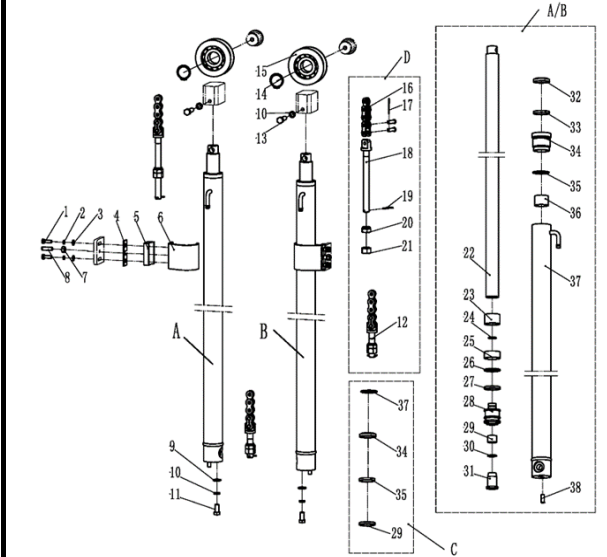
256898501069 短起升油缸(四级全自由门架)/SHORT LIFTING CYLINDER (four stage full free lift)					
序号/NO	编码/SN	Name	Name	数量/QTY	备注/Remarks
25	▲	Screw M5x5	Screw M5x5	1	
26	910100100071	Bolt GB5782-M16x50-8.8	Bolt GB5782-M16x50-8.8	1	
27	910400500010	Washer GB93-16	Washer GB93-16	1	
28	253645220012	Middle cylinder chain baffle	Middle cylinder chain baffle	2	
29	253645220012	Cylinder head	Cylinder head	1	
30	940200500001	Chain wheel bearing 780708K-φ110xφ	Chain wheel bearing 780708K-φ110xφ40	2	
31	910401300020	Circlip GB894.1-40	Circlip GB894.1-40	2	
32	▲	split pin2.5x40	split pin2.5x40	2	
33	▲	LH1623 chain	LH1623 chain	2	
34	▲	Joint	Joint	2	
35	▲	Split pin 3.2x30	Split pin 3.2x30	2	
36	▲	Nut M18x1.5	Nut M18x1.5	2	
37	▲	Nut M18x1.5	Nut M18x1.5	2	
38	910400500009	Washer GB93-14	Washer GB93-14	2	
39	910100400022	Bolt GB5786-M14x1.5x40-8.8	Bolt GB5786-M14x1.5x40-8.8	2	
40	▲	Joint	Joint	2	
41	910400500008	SpringWasherGB93-12	SpringWasherGB93-12	1	
42	910100400009	BoltGB5786-M12x1.25x25-8.8	BoltGB5786-M12x1.25x25-8.8	1	

256898501070 起升油缸(四级全自由门架)/ LIFTING CYLINDER (four stage full free lift)



序号/NO	编码/SN	名称	Name	数量/QTY	备注/Remarks
A	253645216001	油缸(L) Φ60xΦ50x1475	cylinderΦ60xΦ50x1475	1	H=6100
	253645216002	油缸(L) Φ60xΦ50x1600	cylinderΦ60xΦ50x1600	1	H=6600
	253645216003	油缸(L) Φ60xΦ50x1680	cylinderΦ60xΦ50x1680	1	H=7000
B	253645217001	油缸(R) Φ60xΦ50x1475	cylinderΦ60xΦ50x1475	1	H=6100
	253645217002	油缸(R) Φ60xΦ50x1600	cylinderΦ60xΦ50x1600	1	H=6600
	253645217003	油缸(R) Φ60xΦ50x1680	cylinderΦ60xΦ50x1680	1	H=7000
C	253698510001	密封件修理包(25-32C四级边缸)	Seal kits (lifting cylinder)	2	
D	254043510060	起升链条LH1634-75	Lifting chain LH1634-75	2	H=6100
	256144014006	起升链条LH1634-79	Lifting chain LH1634-79	2	H=6600
	256144014007	起升链条LH1634-85	Lifting chain LH1634-85	2	H=7000
1	910100300023	螺栓GB5783-M8x25-8.8	Bolt GB5783-M8x25-8.8	4	
2	910400500007	弹簧垫圈GB93-10	Washer GB93-10	4	
3	910400100007	平垫圈GB97.1-10-200HV	Washer GB97.1-10-200HV	4	
4	255044520099	橡胶垫	Rubber pad	2	
5	255044520097	支撑块	Support block	2	
6	255044520098	弯板	Blendboard	2	
7	941100100003	螺母GB6170-M10-10	Nut GB6170-M10-10	2	
8	910300100007	螺钉M10x35-8.8	Screw M10x35-8.8	2	
9	910400100008	平垫圈GB97.1-12-200HV	Washer GB97.1-12-200HV	2	
10	910400500008	弹簧垫圈GB93-12	Washer GB93-12	2	
11	910100400009	螺栓GB5786-M12x1.25x25-8.8	Bolt GB5786-M12x1.25x25-8.8	2	
12	255044020156	链条螺栓M18x1.5x102	Joint M18x1.5x102	2	
13	910100300035	螺栓GB5783-M10x20-8.8	Bolt GB5783-M10x20-8.8	2	
14	910401300020	轴用弹性挡圈GB894.1-40	Circlip GB894.1-40	2	
15	940200500005	链轮轴承780708K-Φ110xΦ40x27	Chain wheel bearing 780708K-Φ110xΦ40	2	
16	910900400014	板式链GB6074-LH1623	LH1623chain	2	
17	910600600022	开口销2.5x40	Split pin 2.5x40	2	
18	255044020157	链条螺栓M18x1.5x217	Joint M18x1.5x217	2	
19	910600600030	开口销GB91-3.2x30	Split pin 3.2x30	2	
20	255044020158	球面螺母M18x1.5	Nut M18x1.5	2	
21	910300400007	螺母GB6173-M18x1.5-05	Nut M18x1.5	2	

256898501070 起升油缸(四级全自由门架) / LIFTING CYLINDER (four stage full free lift)

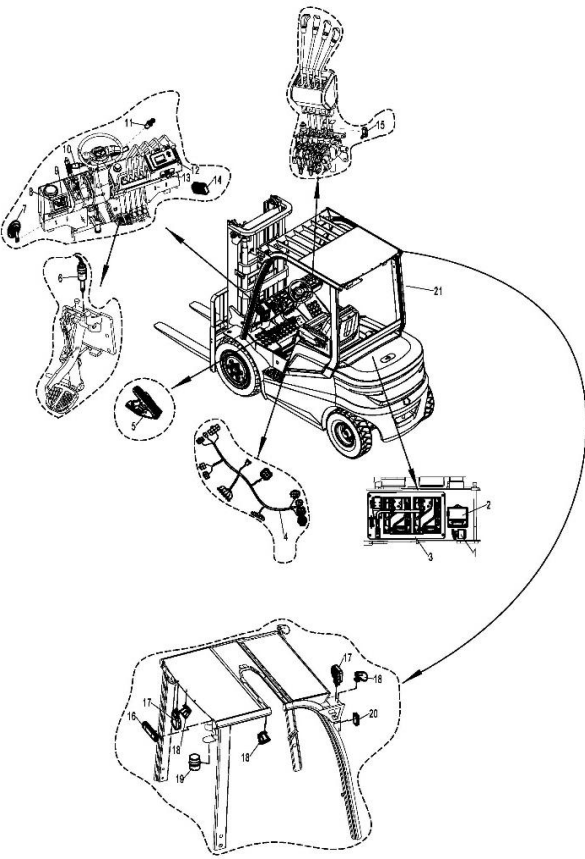


序号/NO	编码/SN	名称	Name	数量/QTY	备注/Remarks
22	▲	活塞杆	Piston rod	1	
23	▲	调整套40.5x49xL2	Adjusting bushing 40.5x49xL2	1	
24	▲	钢丝挡圈 Φ24x2	Circlip Φ24x2	1	
25	▲	支承56x20x2.5	Bearing 56x20x2.5	1	
26	▲	挡片56x44x3	Catch 56x45x3	1	
27	▲	孔用密封圈	Seal ring 56x45x6	1	
28	▲	活塞	Piston	1	
29	▲	铜套	Copper bushing	1	
30	▲	钢丝挡圈 Φ26.5x2	Circlip Φ26.5x2	1	
31	▲	缓冲环	Buffer ring	1	
32	▲	防尘圈	Dust ring DKB45x58x7/10	1	
33	▲	轴用密封圈	Seal ring 40x50x6	1	
34	▲	导向套	Guide bushing	1	
35	▲	O型密封圈	O seal ring 49.7x2.4	1	
36	▲	钢背轴承4030	Bearing 4030	1	
37	▲	缸体	Cylinder	1	
38	▲	圆柱销D10x26	Dowel pin D10x26	1	

256898501071 电器系统/ELECTRONIC						
序号/NO	编码/SN	名称	Name	数量/QTY	备注/Remark	
1	920500100002	喇叭蜂鸣器DJB-24B	Buzzer(DJB-24B)	1		
2	251233020001	集成电器盒	Integrated electrical box	1		
3	257533010004	电控组件(ACM-80V-30GH)	Controller Assembly(ACM-80V-30GH)	1	GH/GB系列	
	257533010003	电控组件(Inmotion 7-80V-30GH)	Controller Assembly(Inmotion 7-80V-30GH)	1	GH/GB系列	
	257533010002	电控组件(Curtis F-80V-30G)	Controller Assembly(Curtis F-80V-30G)	1	GH/GB系列	
	257533010001	电控组件(海天-144V-30G)	Controller Assembly(HaiTian-144V-30G)	1	GY-144V	
	257533010013	电控组件(海天-80V-30G)	Controller Assembly(HaiTian-80V-30G)	1	GY-80V	
4	257533010007	车身线束(ACM-80V-30G)	Wire Harness(ACM-80V-30G)	1	GH/GB系列	
	257533010008	车身线束(Inmotion 7-80V-30G)	Wire Harness(Inmotion 7-80V-30G)	1	GH/GB系列	
	257533010009	车身线束(Curtis F-80V-30G)	Wire Harness(Curtis F-80V-30G)	1	GH/GB系列	
	257533010010	车身线束(海天-144V-30G)	Wire Harness(HaiTian-144V-30G)	1	GY-144V	
	257533010035	车身线束(海天-80V-30G)	Wire Harness(HaiTian-80V-30G)	1	GY-80V	
5	921700100005	加速器FZ3-132-133	Accelerator(FZ3-132-133)	1		
6	920201000002	脚踏开关JK231	Pedal Switch(JK231)	1		
7	920500100001	喇叭125-DC24V	Horn(125-DC24V)	1		
8	921900100004	转换器DC24V转5V	USB	1	Opton	
9	920200800020	翘板开关YB-nuoli-003	Warp Switch(YB-nuoli-003)	1		
10	920200800013	组合开关	Combination Switch	1		
11	920200200030	钥匙开关(一档双路)	KEY	1	单配	
	920200200033	钥匙开关(一档双路)	KEY	1	通配	
12	256733010104	仪表IDD-E-35CD17B(配ACM)	Display(IDD-E-35CD17B)	1	ACM系统	
	921100100063	仪表3401T-12-96V	Display(3401T-12-96V)	1	Curtis系统	
	921100100045	仪表IDD-E-35CD17B(配Inmotion)	Display(IDD-E-35CD17B)	1	Inmotion系统	
	256833010024	仪表HZB923	Display(HZB923)	1	海天系统	
13	920200100020	急停开关LAY39-01MJ-RC	Emergency StopSwitch(LAY39-01MJ-RC)	1		
14	921900100017	转换器WDC300NI	DC-DC80V/24V	1	80V	
	257533010011	DCDC转换器(153.6V-24V-500W)	DC-DC153.6V-24V-500W	1	144V	
15	920200300004	微动开关RZ-15GQ22-B3	Micro Switch(RZ-15GQ22-B3)	4		
16	922000100053	灯FLDJ-SSWD-003	Grouped Lamps FLDJ-SSWD-003	2	后组合尾灯	
17	922000100001	灯PDL-LXZM-1	Head Lamp PDL-LXZM-1	3	照明大灯	

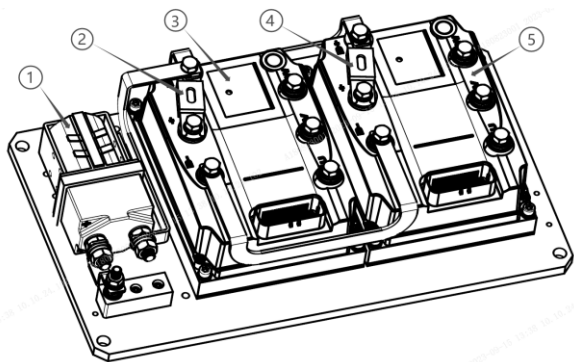
256898501071 电器系统/ELECTRONIC

序号/NO	编码/SN	名称	Name	数量/QTY	备注/Remark
18	922000100014	Blue Lamp A-LJD-A1	灯A-LJD-A1	2	点状蓝光灯
	922000100028	Blue Lamp RB-L590-1	灯RB-L590-1	3	一字蓝光灯
	922000100027	Red Lamp RB-L590	灯RB-L590	3	一字红光灯
	922000100041	Blue Lamp OW-6202	灯OW-6202	3	U型蓝光灯
	922000100032	Red Lamp OW-6202	灯OW-6202	3	U型红光灯
19	922000100050	Caution Light FLDJ-JSD-001	灯FLDJ-JSD-001	1	警示灯
20	922000100051	Caution Light FLDJ-QXD-001	灯FLDJ-QXD-001	1	示宽灯
21	255056510001	Rear handle switch (horn)	后把手开关	1	



256898501072 电控组件/ELECTRONIC COMPONENTS—Inmotion 7系统

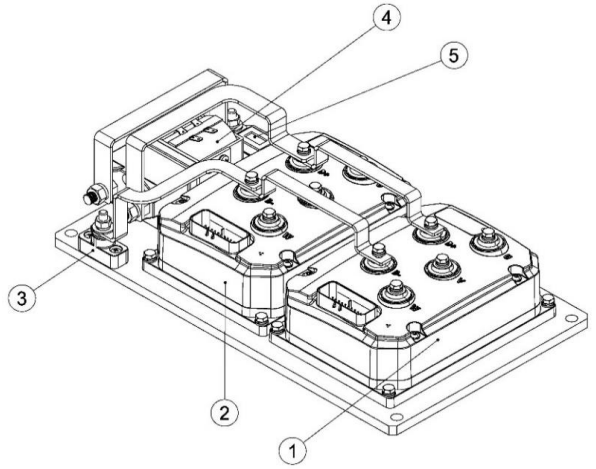
序号/NO	编码/SN	名称	Name	数量/QTY	备注/Remark
-------	-------	----	------	--------	-----------



1	256698537003	接触器 80V/400A	contactor 80V/400A	1	GH/GB系列
2	253698537011	熔断器350A	fuse 350A	1	GH/GB系列
3	921400100205	控制器ACS80M40-C35T	CONTROLLER ACS80M40-C35T	1	GH/GB系列-Pump
4	253698537011	熔断器350A	fuse 350A	1	GH/GB系列
5	921400100205	控制器ACS80M40-C35T	CONTROLLER ACS80M40-C35T	1	GH/GB系列-Tra

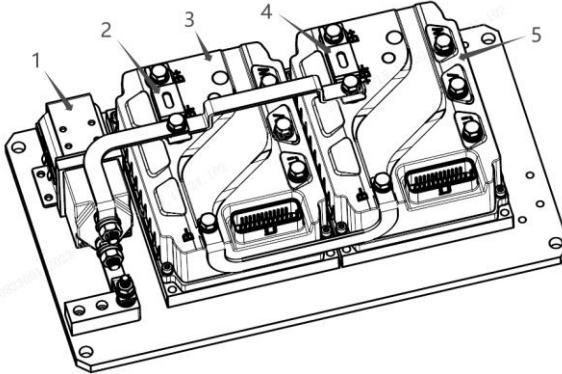
256898501073 电控组件/ELECTRONIC COMPONENTS—Curtis-F系统

序号/NO	编码/SN	名称	Name	数量/QTY	备注/Remark
1	921400100177	控制器AC-F6-A-80-450-101	CONTROLLER AC-F6-A-80-450-101	1	GH/GB系列-Tra
2	921400100177	控制器AC-F6-A-80-450-101	CONTROLLER AC-F6-A-80-450-101	1	GH/GB系列-Pump
3	257598537015	保险丝500A	FUSE LINK^ 80 VOLT 500 Amp	1	GH/GB系列
4	920700100006	接触器DC80V-SW200-583	Contacttor	1	GH/GB系列
5	257598537016	单联保险丝座	FUSE HOLDER KH-PSA0001-002	1	GH/GB系列



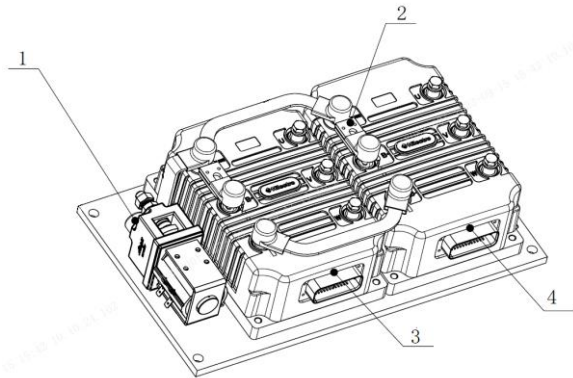
256898501074 电控组件/ELECTRONIC COMPONENTS—ACM系统

序号/NO	编码/SN	名称	Name	数量/QTY	备注/Remark
1	256698537003	接触器 80V/400A	contactor 80V/400A	1	GH/GB系列
2	256698537002	熔断器 425A	fuse 425A	1	GH/GB系列
3	921400100222	控制器 ACMII80C450	CONTROLLER ACMII80C450	1	GH/GB系列-Pump
4	256698537002	熔断器 425A	fuse 425A	1	GH系列
5	921400100222	控制器 ACMII80C450	CONTROLLER ACMII80C450	1	GH/GB系列-Tra



256898501076 电控组件/ELECTRONIC COMPONENTS—海天80V永磁系统

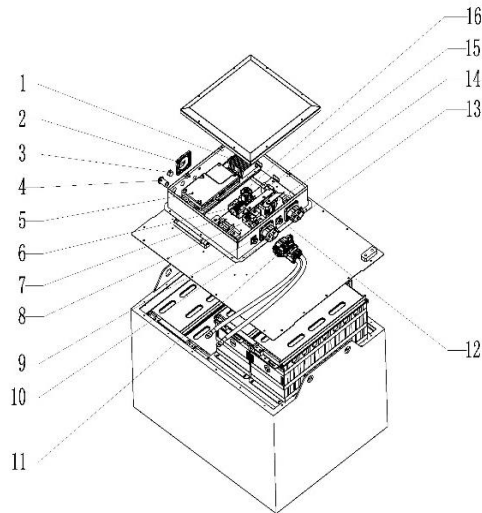
序号/NO	编码/SN	名称	Name	数量/QTY	备注/Remark
1	257598537020	接触器80V	Contactor 80V	1	GY-80V
2	257598537021	熔断器400A	Fuse 400A	2	GY-80V
3	921400100224	控制器 Hi380-08040A5M	CONTROLLER HI380-08040A5M	1	GY系列-Pump
4	921400100225	控制器 Hi380-08035A5M	CONTROLLER HI380-08035A5M	1	GY系列-Tra



256898501078 蓄电池/BATTERY

序号/NO	编码/SN	名称	Name	数量/QTY	备注/Remark
1	257537013001	赣锂76.8V277GF2通用版30G(吊装)	30G-80V-277-D	1	吊装/hoisting
	257537013002	赣锂76.8V412GF2通用版30G(吊装)	30G-80V-412-D	1	吊装/hoisting
	257537013003	赣锂76.8V554GF2通用版30G(吊装)	30G-80V-554-D	1	吊装/hoisting
	257537013004	赣锂76.8V277GF2加热通用版30G(吊装)	30G-80V-277-D(H)	1	吊装/hoisting
	257537013005	赣锂76.8V412GF2加热通用版30G(吊装)	30G-80V-412-D(H)	1	吊装/hoisting
	257537013006	赣锂76.8V554GF2加热通用版30G(吊装)	30G-80V-554-D(H)	1	吊装/hoisting
2	257537013007	赣锂76.8V277GF2通用版30G(侧拉)	30G-80V-277-C	1	侧拉/Slide Over
	257537013008	赣锂76.8V412GF2通用版30G(侧拉)	30G-80V-412-C	1	侧拉/Slide Over
	257537013009	赣锂76.8V554GF2通用版30G(侧拉)	30G-80V-554-C	1	侧拉/Slide Over
	257537013010	赣锂76.8V277GF2加热通用版30G(侧拉)	30G-80V-277-C(H)	1	侧拉/Slide Over
	257537013011	赣锂76.8V412GF2加热通用版30G(侧拉)	30G-80V-412-C(H)	1	侧拉/Slide Over
	257537013012	赣锂76.8V554GF2加热通用版30G(侧拉)	30G-80V-554-C(H)	1	侧拉/Slide Over
3	257537013013	赣锂144V206GF2通用版30G(侧拉)	30G-144V-206	1	侧拉-144V/Slide Over
	257537013014	赣锂144V277GF2通用版30G(侧拉)	30G-144V-277	1	侧拉-144V/Slide Over
	257537013015	赣锂144V206GF2加热通用版30G(侧拉)	30G-144V-206(H)	1	侧拉-144V/Slide Over
	257537013016	赣锂144V277GF2加热通用版30G(侧拉)	30G-144V-277(H)	1	侧拉-144V/Slide Over
4	257537011001	益佳通锂80V460Ah(一体化箱体)	30G-80V-460	1	吊装/hoisting
	257537011002	益佳通锂80V280Ah(一体化箱体)	30G-80V-280	1	吊装/hoisting
5	256736516011	充电器80100-R320五芯(三相380±20%中文)	Li Charger 80V100A(3p 380±20%V)	1	配277Ah
	256736516012	充电器80100-R320五芯(三相380±20%英文)	Li Charger 80V100A(3p 380±20%V)	1	配277Ah
	256736516013	充电器80100-R320四芯(三相176~256美式)	Li Charger 80V100A(3p 176V-256V)	1	配277Ah
	256736516014	充电器80100-R320四芯(三相356~520通用)	Li Charger 80V100A(3p 356V-520V)	1	配277Ah
	256736516015	充电器80150-R320五芯(三相380±20%中文)	Li Charger 80V150A(3p 380±20%V)	1	配277/412Ah
	256736516016	充电器80150-R320五芯(三相380±20%英文)	Li Charger 80V150A(3p 380±20%V)	1	配277/412Ah
	256736516017	充电器80150-R320四芯(三相176~256美式)	Li Charger 80V150A(3p 176V-256V)	1	配277/412Ah
	256736516018	充电器80150-R320四芯(三相356~520通用)	Li Charger 80V150A(3p 356V-520V)	1	配277/412Ah
	256736516019	充电器80200-R320五芯(三相380±20%中文)	Li Charger 80V200A(3p 380±20%V)	1	配412/554Ah
	256736516020	充电器80200-R320五芯(三相380±20%英文)	Li Charger 80V200A(3p 380±20%V)	1	配412/554Ah
	256736516021	充电器80200-R320四芯(三相176~256美式)	Li Charger 80V200A(3p 176V-256V)	1	配412/554Ah
	256736516022	充电器80200-R320四芯(三相356~520通用)	Li Charger 80V200A(3p 356V-520V)	1	配412/554Ah

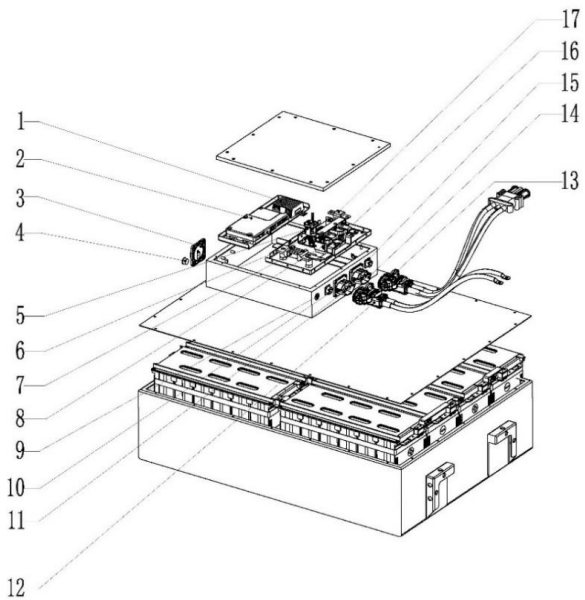
256898501079 蓄电池(吊装)/BATTERY (LIFTING)



序号/NO	编码/SN	名称	Name	数量/QTY	备注/Remark
1	257098537013	DCDC	DCDC	1	
2	251198537016	天线	Antenna	1	
3	252198537031	LED指示灯	LED metal indicator	1	
4	252198537030	蜂鸣器	Buzzer	1	
5	921200100037	定制版BMS	BMS(A555-G)	1	不同容量不同软件版本
6	256098537009	黄金电阻	Gold resistor	1	
7	252198537025	分流器	Current divider	1	
8	252198537079	继电器 (400A)	Relay(400A)(discharge)	1	
9	257598537001	整车通讯插座	Vehicle communication socket	1	
10	257598537003	琥珀正2芯高压放电插座	High voltage discharge socket	1	
11	257598537005	放电线缆总成-30G吊装	Discharge cable assembly -30G lifting	1	
12	257598537002	充电通讯插座	Charging communication socket	1	
13	257598537004	琥珀正2芯高压充电插座	High voltage charging socket	1	
14	218098520013	继电器 (300A)	Relay(300A)(recharge)	1	
15	257098537014	熔断器	fuse	1	
16	251198537024	继电器	Relay(heating)	1	

256898501080 蓄电池(侧出80V)/BATTERY (SIDE OUT 80V)

序号/NO	编码/SN	名称	Name	数量/QTY	备注/Remark
1	257098537013	DCDC	DCDC	1	
2	921200100037	定制版BMS	BMS(A555-G)	1	不同容量不同软件版本
3	251198537016	天线	Antenna	1	
4	252198537031	LED指示灯	LED metal indicator	1	
5	251198537024	继电器	Relay(heating)	1	
6	256098537009	黄金电阻	Gold resistor	1	
7	252198537025	分流器	Current divider	1	
8	252198537079	继电器(400A)	Relay(400A)(discharge)	1	
9	252198537030	蜂鸣器	Buzzer	1	
10	257598537001	整车通讯插座	Vehicle communication socket	1	
11	257598537003	琥正2芯高压放电插座	High voltage discharge socket	1	
12	257598537006	放电线缆总成-30G侧出80V	Discharge cable assembly -30G 80V side ou	1	
13	257598537007	充电线缆总成-30G侧出80V	Charging cable assembly-30G 80V side outp	1	
14	257598537004	琥正2芯高压充电插座	High voltage charging socket	1	
15	257598537002	充电通讯插座	Charging communication socket	1	
16	218098520013	继电器(300A)	Relay(300A)(recharge)	1	
17	257098537014	熔断器	fuse	1	



256898501081 蓄电池(侧出144V)/BATTERY(SIDE OUT 144V)

	256898501081 蓄电池(侧出144V)/BATTERY(SIDE OUT 144V)					
	序号/NO	编码/SN	名称	Name	数量/QTY	备注/Remark
	1	921200100041	定制版BMS	BMS(A575-G)	1	不同容量不同软件版本
	2	251198537016	天线	Antenna	1	
	3	252198537031	LED指示灯	LED metal indicator	1	
	4	256098537009	黄金电阻	Gold resistor	1	
	5	252198537025	分流器	Current divider	1	
	6	252198537079	继电器(400A)	Relay(400A)(discharge)	2	
	7	252198537030	蜂鸣器	Buzzer	1	
	8	257598537008	MSD插头	MSD plug	1	
	9	257598537009	MSD插座	MSD socket	1	
	10	257598537001	整车通讯插座	Vehicle communication socket	1	
	11	257598537003	琥正2芯高压放电插座	High voltage discharge socket	1	
	12	257598537010	放电线缆总成-30G侧出144V	Discharge cable assembly -30G 144V side o	1	
	13	257598537004	琥正2芯高压充电插座	High voltage charging socket	1	
	14	257598537011	充电线缆总成-30G侧出144V	Charging cable assembly-30G 144V side out	1	
	15	257598537002	充电通讯插座	Charging communication socket	1	
	16	218098520013	继电器(300A)	Relay(300A)(recharge)	1	
	17	257598537012	熔断器	fuse	1	
	18	251198537024	继电器	Relay(heating)	1	
	19	257598537013	金升阳隔离DCDC	DCDC	1	