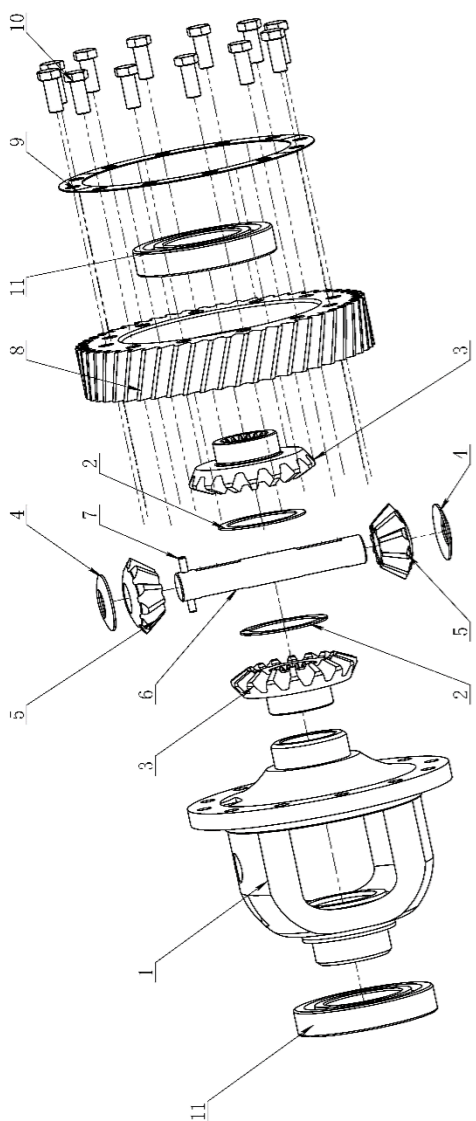


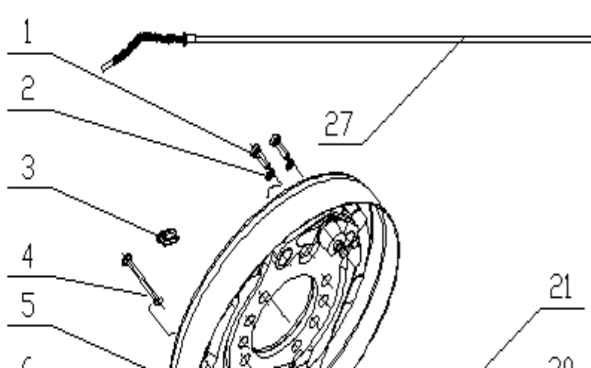


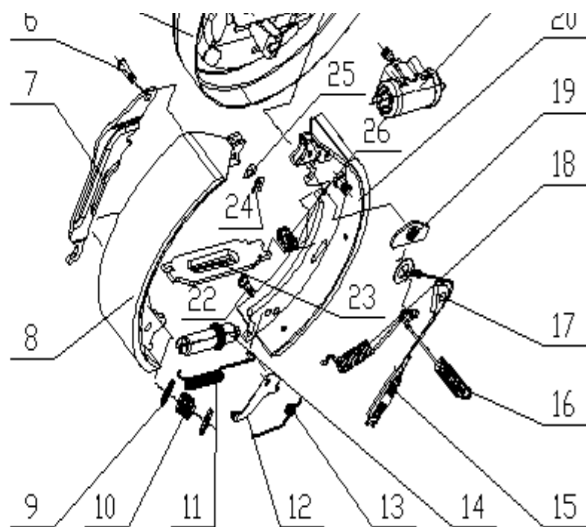


253698501004驱动桥/DRIVE AXLE					
序号/NO	编码/SN	名称	Name	数量/QTY	备注/Remark
1	253698523543	差速器壳体AQ-A7S33-02101BA	Differential housing AQ-A7S33-02101BA	1	
2	253698523544	半轴齿轮垫AQ-A7S33-02141	Half shaft gear pad AQ-A7S33-02141	2	
3	253698523545	半轴齿轮AQ-A7S33-02121	Half shaft gear AQ-A7S33-02121	2	
4	253698523546	止推垫圈AQ-16113-52121A	Thrust washer AQ-16113-52121A	2	
5	253698523547	行星齿轮AQ-A7S33-02111	Planet Gear AQ-A7S33-02111	2	
6	253698523548	弹性圆柱销φ6×50-B3352-06050	Pin φ6×50-B3352-06050	1	
7	253698523549	齿圈AQ-A7S33-02151	Gear ring AQ-A7S33-02151	1	
8	253698523550	锁片AQ-A7S33-02321	Lock plate AQ-A7S33-02321	6	
9	253698523551	螺栓M12×1.25×30AQ-G2FB3-82061	Bolt M12×1.25×30AQ-G2FB3-82061	12	
10	253698523552	深沟球轴承Z-6213	Bearing Z-6213	2	



253698501005左制动器/LIFT LEFT BRAKE					
序号/NO	编码/SN	名称	Name	数量/QTY	备注/Remark
A	253698523527	左制动器总成AQ-HK2S3-00401	Left brake assy AQ-HK2S3-00401	1	
1	253698523560	螺栓GB21-76	Bolt GB21-76	2	
2	253698523561	弹簧垫圈GB91-76	Washer GB91-76	2	
3	253698523562	胶堵24433-70040G	Glue plug 24433-70040G	2	
4	253698523563	压簧拉杆24433-70010G	Spring pull rod 24433-70010G	2	
5	253698523564	左制动器底板总成HK2S3-00411L	Left brake base plate assy HK2S3-00411L	1	
6	253698523565	手拉杆销24433-70150G	Hand tie rod Pin 24433-70150G	1	
7	253698523566	左手制动拉杆24433-70140G-L	Left hand brake pull rod 24433-70140G-L	1	
8	253698523567	制动蹄带摩擦片总成23653-73021TC	Brake shoe with friction plate assembly 23653-73021TC	1	
9	253698523568	压簧座24433-70020G	Press spring seat 24433-70020G	4	
10	253698523569	压簧24433-70030G	Press spring 24433-70030G	2	

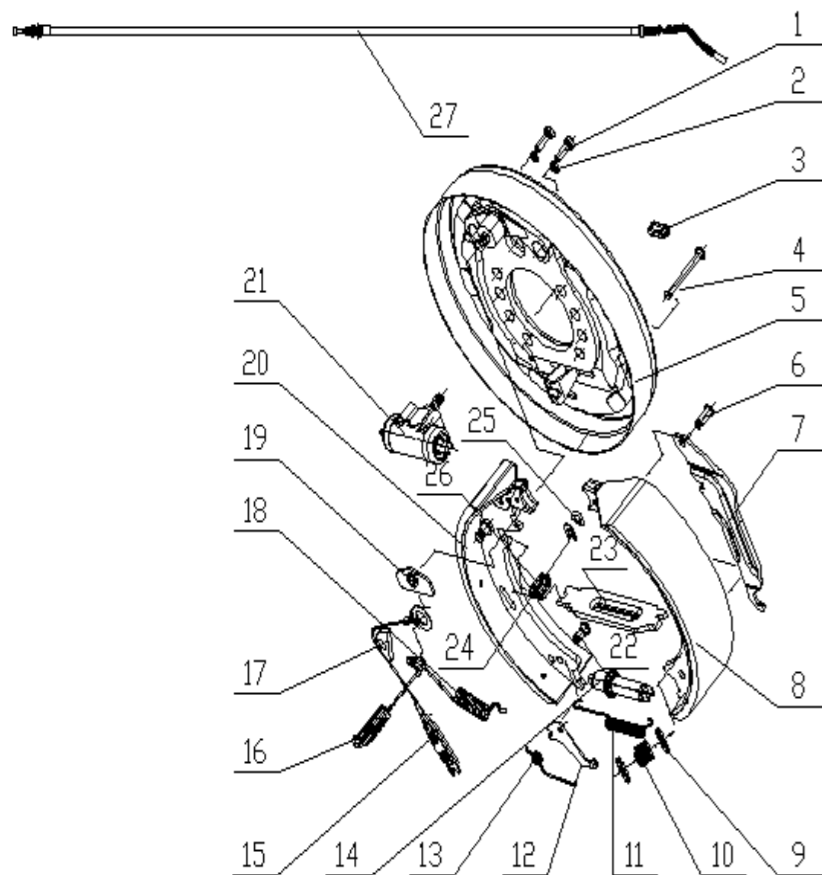




11	253698523570	拉簧24433-70050G	Tension spring 24433-70050G	1	
12	253698523571	左棘爪24433-70100G-L	Left pawl 24433-70100G-L	1	
13	253698523572	左扭簧24433-70090G-L	Left torsion spring 24433-70090G-L	1	
14	253698523573	左间隙调整器总成24433-74000G-L	Left Clearance Regulator Assembly 24433-74000G-L	1	
15	253698523574	弹簧拉线装置24433-73000G	Spring pulling device 24433-73000G	1	
16	253698523575	左回位弹簧(后) 24433-70071G-L	Left return spring (rear) 24433-70071G-L	1	
17	253698523576	导向块24433-70081G	Guide block 24433-70081G	1	
18	253698523577	左回位弹簧(前) 24433-70070G-L	Left return spring (front) 24433-70070G-L	1	
19	253698523578	导向板24433-70060G	Guide plate 24433-70060G	1	
20	253698523579	左制动蹄带摩擦片及挂簧销总成24433-71001G-L	Left brake shoe with friction plate and spring pin assembly 24433-71001G-L	1	
21	253698523580	制动分泵总成22673-72041	Brake sub Pump Assembly 22673-72041	1	
22	253698523581	棘爪销钉24433-70110G	Pawl Pin 24433-70110G	1	
23	253698523582	左手制动推杆24433-70120G-L	Left hand brake push lever 24433-70120G-L	1	
24	253698523583	杆销挡圈24433-70170G	Rod pin retaining ring 24433-70170G	1	
25	253698523584	弹性垫片24433-70160G	Elastic gasket 24433-70160G	1	
26	253698523585	弹簧24433-70130G	Spring 24433-70130G	1	
27	253698523586	制动钢索总成(左)OC11246-14603	Brake Cable Assy (left)OC11246-14603	1	

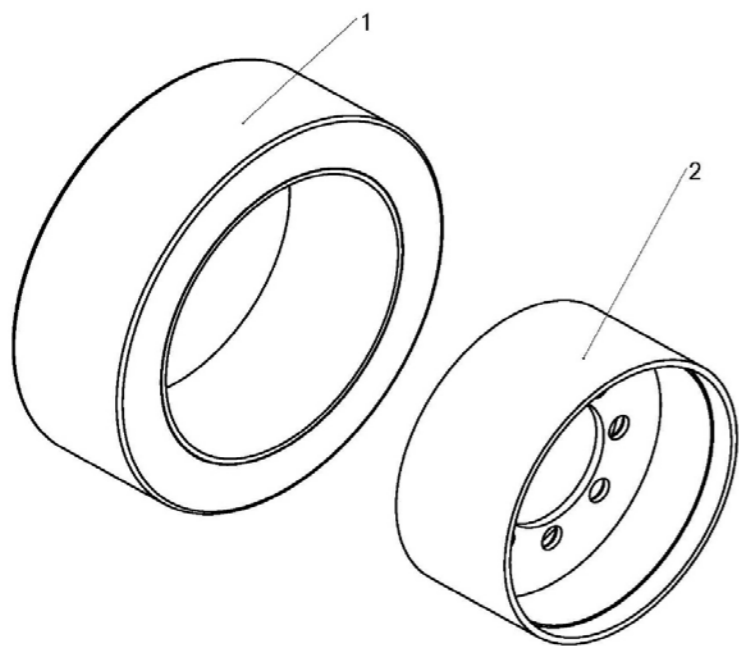
253698501006右制动器/LIGHT LEFT BRAKE

序号/NO	编码/SN	名称	Name	数量/QTY	备注/Remark
A	253698523530	右制动器总成AQ-HK2S3-00501	Light brake assy AQ-HK2S3-00501	1	
1	253698523560	螺栓GB21-76	BoltGB21-76	2	
2	253698523561	弹簧垫圈GB91-76	Washer GB91-76	2	
3	253698523562	胶堵24433-70040G	Glue plug 24433-70040G	2	
4	253698523563	压簧拉杆24433-70010G	Spring pull rod 24433-70010G	2	
5	253698523590	右制动器底板总成HK2S3-00411R	Light brake base plate assy HK2S3-00411R	1	
6	253698523565	手拉杆销24433-70150G	Hand tie rod Pin 24433-70150G	1	
7	253698523591	右手制动拉杆24433-70140G-R	Light hand brake pull rod 24433-70140G-R	1	
8	253698523567	制动蹄带摩擦片总成23653-73021TC	Brake shoe with friction plate assembly 23653-73021TC	1	
9	253698523568	压簧座24433-70020G	Press spring seat 24433-70020G	4	
10	253698523569	压簧24433-70030G	Press spring 24433-70030G	2	
11	253698523570	拉簧24433-70050G	Tension spring 24433-70050G	1	
12	253698523592	右棘爪24433-70100G-R	Light pawl 24433-70100G-R	1	
13	253698523593	右扭簧24433-70090G-R	Light torsion spring 24433-70090G-R	1	
14	253698523594	右间隙调整器总成24433-74000G-R	Light Clearance Regulator Assembly 24433-74000G-R	1	
15	253698523574	弹簧拉线装置24433-73000G	Spring pulling device 24433-73000G	1	
16	253698523595	右回位弹簧(后) 24433-70071G-R	Light return spring (rear) 24433-70071G-R	1	
17	253698523576	导向块24433-70081G	Guide block 24433-70081G	1	
18	253698523596	右回位弹簧(前) 24433-70070G-R	Light return spring (front) 24433-70070G-R	1	
19	253698523578	导向板24433-70060G	Guide plate 24433-70060G	1	
20	253698523597	右制动蹄带摩擦片及挂簧销总成24433-71001G-R	Light brake shoe with friction plate and spring pin assembly 24433-71001G-R	1	
21	253698523580	制动分泵总成22673-72031	Brake sub Pump Assembly 22673-72041	1	
22	253698523581	销钉24433-70110G	Pawl Pin 24433-70110G	1	
23	253698523598	右手制动推杆24433-70120G-R	Light hand brake push lever 24433-70120G-R	1	
24	253698523583	杆销挡圈24433-70170G	Rod pin retaining ring 24433-70170G	1	
25	253698523584	弹性垫片24433-70160G	Elastic gasket 24433-70160G	1	
26	253698523585	弹簧24433-70130G	Spring 24433-70130G	1	
27	253698523586	制动钢索总成(右)OC11246-24603	Brake Cable Assy (left)OC11246-14603	1	




253698501007前轮总成/WHEEL ASSEMBLY

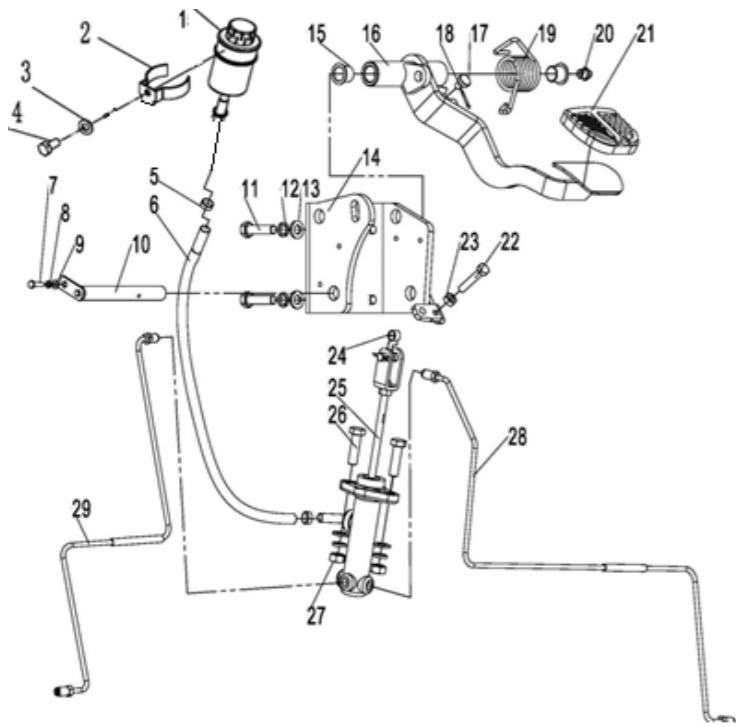
序号/NO	编码/SN	名称	Name	数量/QTY	备注/Remark
A	253613014001	驱动轮21x7-15(CY-AQ)	Tire assembly 21x7-15(soild)	2	
A	253613015001	驱动轮21x7-15(CY-AQ环保)	Tire assembly 21x7-15(environmentally)	2	选装/Optional
A	253713011001	驱动轮21x8-15(CY-ZC)	Tire assembly 21x8-15(soild)	2	32C
A	253713013001	驱动轮21x8x15(CY-AQ环保)	Tire assembly 21x8-15(environmentally)	2	32C
1	253613014011	轮胎21x7-15(实心)	Tire 21x7-15(soild)	2	
1	253613014012	轮胎21x7-15(环保)	Tire 21x7-15(environmentally)	2	选装/Optional
1	253713011011	轮胎21x8x15(实心)	Tire 21x8x15(soild)	2	32C
1	253713011012	轮胎21x8x15(环保)	Tire 21x8x15(environmentally)	2	32C
2	253613014010	轮辋总成(21x7-15-AQ)	Rim assembly(21x8x15-AQ)	2	
2	253713014010	轮辋总成(21x8x15-AQ)	Rim assembly(21x8x15-AQ)	2	32C



253698501008起升电机安装/MOTOR INSTALLATION

序号/NO	编码/SN	名称	Name	数量/QTY	备注/Remark
1	253632521002	减振垫50x30	Damping pad	4	
2	910400100007	平垫圈GB97.1-10-200HV	Gasket GB97.1-10-200HV	8	
3	910300500005	螺母GB889.1-M10-10	Nut GB889.1-M10-10	8	
4	253632521001	泵电机安装板	Gear pump	1	
5	910100300039	螺栓GB5783-M10x40-8.8	Bolt GB5783 M10x40-8.8	4	
6	255098513251	编码器(合普)	Encoder(HP)	1	
7	253632510001	电机(交流)HPB	Motor (HP)	1	


253698501009行车制动安装/DRIVING BRAKING INSTALLATION



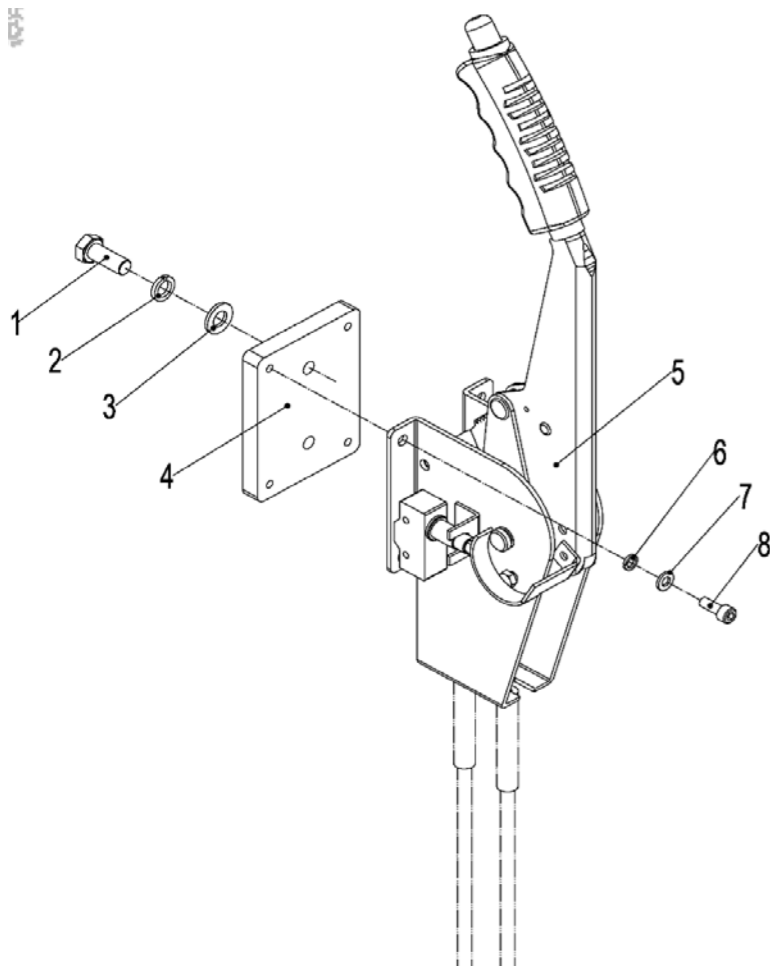
序号/NO	编码/SN	名称	Name	数量/QTY	备注/Remark
1	275011520020	油杯	Grease nipple	1	
2	256811511020	油杯固定环	Bracket	1	
3	910400500007	弹簧垫圈GB93-8	Washer GB93-8	1	
4	910100300020	螺栓GB5783-M8x16-8.8	Bolt GB5783-M8x16-8.8	1	
5	911000600001	喉箍QC/T390-(11-14)	Hose clamp QC/T390-(11-14)	2	
6	255011520021	连接管	Connecting pipe	1	
7	910100300003	螺栓GB5783-M5x12-8.8	Bolt GB5783-M5x12-8.8	1	
8	910400500004	弹簧垫圈GB93-5	Washer GB93-5	1	
9	910400100004	平垫圈GB97.1-5-200HV	Washer GB97.1-5-200HV	1	
10	255011510003	带耳轴Φ16x135	Axle Φ16x135	1	
11	910100300039	螺栓GB5783-M10x40-8.8	Bolt GB5783-M10x40-8.8	4	
12	910400500007	弹簧垫圈GB93-10	Washer GB93-10	6	
13	910400100007	平垫圈GB97.1-10-200HV	Washer GB97.1-10-200HV	6	
14	256811511004	脚制动支架焊合	Foot brake holder welding	1	
15	940500100006	复合套Φ16xΦ18x15-SF-1	Bushing Φ16xΦ18x15-SF-1	2	
16	256811511002	踏板焊合	Pedal welding	1	
17	255011520010	缓冲垫	Damping pad	1	
18	910600600015	开口销GB91-2x20	Split pin GB91-2x20	1	
19	255011520008	扭簧	Spring	1	
20	911200100004	油杯JB7940.1-M10x1	Grease nipple JB7940.1-M10x1	1	
21	255011520013	踏板(橡胶)	Pedal (rubber)	1	
22	910100100023	螺栓GB5782-M8x45-8.8	Bolt GB5782-M8x45-8.8	1	
23	910300100006	螺母GB6170-M8-10	Nut GB6170-M8-10	1	
24	940500100048	复合套Φ10xΦ12x8-SF-1	Bushing Φ10xΦ12x8-SF-1	1	
25	256811510001	制动泵总成	Brake pump assembly	1	
26	910100300038	螺栓GB5783-M10x35-8.8	Bolt GB5783-M10x35-8.8	2	
27	910300100007	螺母GB6170-M10-10	NutGB6170-M10-10	2	

28	253611511009	右制动钢管	Brake steel pipe welding	1	
29	253611511010	左制动钢管	Brake steel pipe welding	1	

9

253698501010驻车制动安装/PARKING BRAKING INSTALLATION

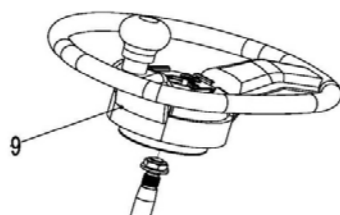
序号/NO	编码/SN	名称	Name	数量/QTY	备注/Remark
1	910100300035	螺栓GB5783-M10x20-8.8	Bolt GB5783-M10x20-8.8	2	
2	910400500007	弹簧垫圈GB93-10	Spring washer GB93-10	2	
3	910400100007	平垫圈GB97.1-10-200HV	Washer GB97.1-10-200HV	2	
4	256812021003	垫板(手制动)	Backing plate (Parking brake)	1	
5	XG1801542747	手制动总成	Parking Brake Assembly	1	
6	910400100005	平垫圈GB97.1-6-200HV	Washer GB97.1-6-200HV	4	
7	910400500005	弹簧垫圈GB93-6	Spring washer GB93-6	4	
8	910100300010	螺栓GB5783-M6x16-8.8	Bolt GB5783-M6x16-8.8	4	

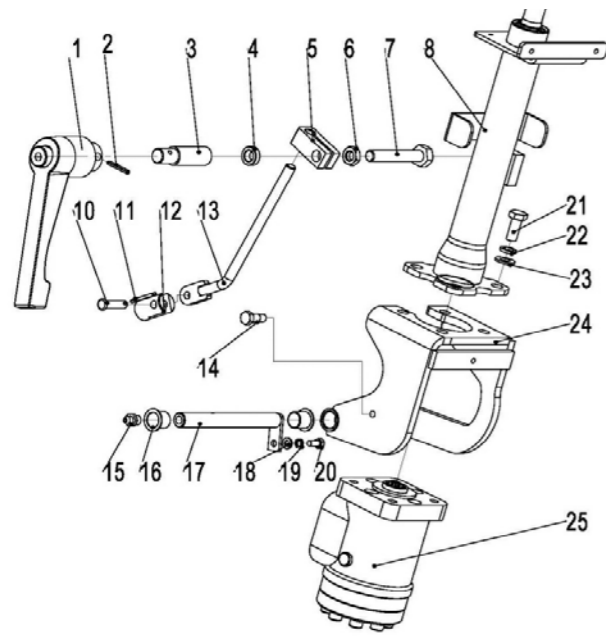


10

253698501011转向装置及安装/STEERING GEAR AND INSTALLATION

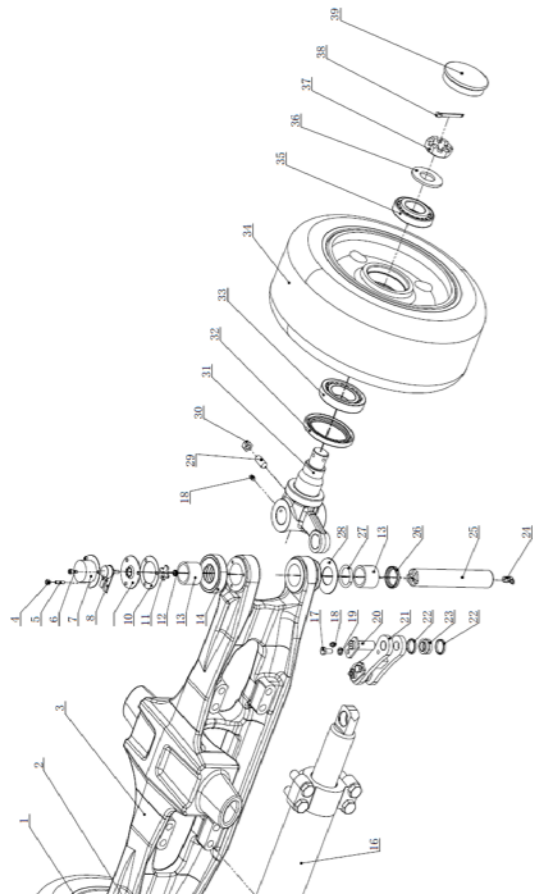
序号/NO	编码/SN	名称	Name	数量/QTY	备注/Remark
1	255015010007	可调手柄	The adjustable handle	1	
2	910600400011	弹性圆柱销GB879.1-4x30	Elastic cylinder pin GB879.1-4x30	1	
3	255015020025	夹柄螺套	Clamp holder screw sets	1	
4	910400100008	垫圈Φ20xΦ12x8	GasketΦ20XΦ12X8	1	
5	255015020019	锁紧块	Locking block	1	
6	910300300006	螺母GB6172.1-M12-05	Nut GB6172.1-M12-05	1	
7	910100300057	螺栓GB5783-M12x70-8.8	Bolt GB5783 M12x70-8.8	1	





8	255015010001	转向管柱总成	Steering string assembly	1	
9	255015010003	方向盘	The steering wheel	1	
10	910600700014	销轴GB882-6x26x1.6	Pin GB882-6x26x1.6	1	
11	910600600005	开口销GB91-1.6x10	Cotter pin GB91-1.6x10	1	
12	255015020002	固定座	The fixed seat	1	
13	255015010005	调节杆焊合	Adjust rod welding	1	
14	255015020021	调节螺钉	Adjust the screw	1	
15	911200100004	油杯JB7940.1-M10x1	Oil cup JB7940.1-M10x1	1	
16	940500200016	复合套(带肩)Φ16xΦ18x16-SF-1	Composite set (shoulder)Φ16xΦ18x16-SF-1	2	
17	255011510003	带耳轴Φ16x135	With trunnionΦ16x135	1	
18	910400100005	平垫圈GB97.1-6-200HV	WasherGB97.1-6-200HV	1	
19	910400500005	弹簧垫圈GB93-6	Spring washerGB93-6	1	
20	910100300009	螺栓GB5783-M6x12-8.8	Bolt GB5783 M6x12-8.8	1	
21	910100300036	螺栓GB5783-M10x25-8.8	Bolt GB5783 M10x25-8.8	4	
22	910400500007	弹簧垫圈GB93-10	Spring washer gb93-10	4	
23	910400100007	平垫圈GB97.1-10-200HV	Washer GB97.1-10-200HV	4	
24	255015010004	支架焊合	Bracket welded	1	
25	255015010012	转向器SCU51/100-FS	Steering SCU51/100-FS	1	

**253698501012转向桥及安装/STEERING BRIDGE AND INSTALLATION**

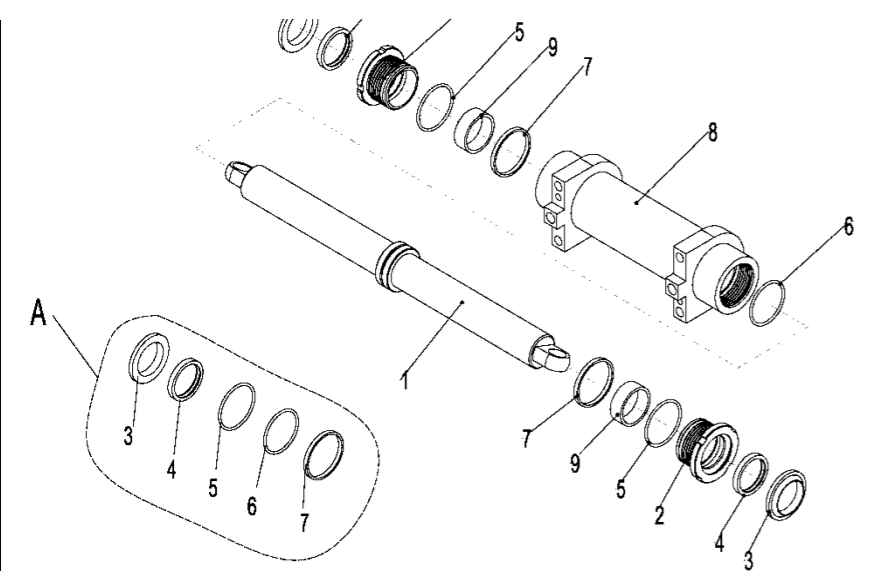


序号/NO	编码/SN	名称	Name	数量/QTY	备注/Remark
A	253616011001	转向桥(实心胎)	Steering axle (solid tire)	1	无花纹
A	253616012001	转向桥(环保胎)	Steering axle (Environment-friendly tire)	1	选装
1	253698526001	主销A73J4-32111	Kingpin A73J4-32111	1	
2	253698526002	左转向节总成AE774-32021	Left turn to joint assy AE774-32021	1	
3	253698526003	转向桥体总成A7V94-10202	Steering bridge is A7V94-10202	1	
4	253698526004	螺母M5-B4133-00005B	Nut M5-B4133-00005B	1	
5	253698526005	内六角平端紧定螺钉B9997-05020B	Scerw B9997-05020B	1	
6	253698526006	内六角圆柱头螺钉M5x12-B8030-05012B	Scerw M5x12-B8030-05012B	2	
7	253698526007	保护盖A7V94-32121	Protection cover A7V94-32121	1	
8	253698526008	转角定位器A7V94-10203	Angle locator A7V94-10203	1	
9	253698526009	主销上盖A7V94-32131B	Kingpin top cover A7V94-32131B	1	
10	253698526010	密封垫圈A7V94-10200	Seal washer A7V94-10200	1	
11	253698526011	十字D板A7V94-10201B	Cross D plate A7V94-10201B	1	
12	253698526012	螺钉M10x8-B8330-10008	Screw M10x8-B8330-10008	1	
13	253698526013	滚针轴承Φ32×Φ40×32-Z-943/32	Bearing Φ32×Φ40×32-Z-943/32	4	
14	253698526014	单向推力球轴承Z-198908P	Bearing Z-198908P	2	
15	253698526015	六角螺栓M16x50-293686	Bolt M16x50-293686	8	
16	253698526016	转向油缸总成A7V94-30201	Steering Cylinder Assy A7V94-30201	1	
17	253698526017	螺栓M8X16-B0330-08016B	Bolt M8X16-B0330-08016B	4	
18	253698526018	直通式油嘴M6-Q700B06	Straight through nozzle M6-Q700B06	5	
19	253698526019	弹垫8-B5050-00008B	Spring washer 8-B5050-00008B	4	
20	253698526020	连杆销25RC4180000B	Connecting rod Pin 25RC4180000B	4	
21	253698526021	连杆AE774-32011B	Connecting rod AE774-32011B	2	
22	253698526022	衬套H24C4-12003	Bush H24C4-12003	6	
23	253698526023	向心关节轴承Z-GE16ES	Radial joint bearing Z-GE16ES	4	
24	253698526024	90°弯颈式滑脂嘴Q701B90	90° bent neck grease nozzle Q701B90	3	





6	▲	O形圈	O-ring	1	
7	▲	支承环	Support ring	1	
8	▲	缸筒总成	Cylinder assembly	1	
9	▲	钢背轴承	Bearing	2	



253698501014座椅盖板安装/SEAT COVER MOUNTING					
序号/NO	编码/SN	名称	Name	数量/QTY	备注/Remark
1	253621011002	箱盖焊接	Welding of box cover	1	
2	940400100030	气弹簧200N(D620)	Gas spring 200N (D620)	1	
3	910300500004	螺母GB889.1-M8-10	Nut GB889.1-M8-10	2	
4	255037510002	座椅BF1-1BC(标准)	Seat BF1-1BC (STD.)	1	
5	255037510003	座椅(舒适型)	Seat (comfort)	1	选装/Optional
6	255037510004	座椅(减振型)	Seat (Vibration)	1	选装/Optional
7	255021010014	关节轴承GE12E	Bearing GB9163-GE12E	2	
7	255021010006	铰链焊接(右)	Hinge bracket (right)	1	
7	255021020043	固定螺栓	Bolt	2	
8	255021010005	铰链焊接(左)	Hinge bracket (left)	1	
9	255021020045	座板	Wire plate	2	
10	255021020054	调整垫	Adjust the gasket	2	
11	910400100006	平垫圈GB97.1-8-200HV	Washer GB97.1-8-200HV	4	
12	910400500006	弹簧垫圈GB93-8	Spring washer GB93-8	4	
13	910100300024	螺栓GB5783-M8x30-8.8	Bolt GB5783 M8x30-8.8	4	
14	940400100031	气弹簧500N(D620)-自锁	Air spring 500N(D620)- self locking	1	
15	910300500003	螺母GB889.1-M6-10	Nut GB889.1-M6-10	2	
16	255021020020	拉手	The shake handhandle	1	
17	910200500053	螺钉GB818-M6x20-4.8	Screw GB818-M6x20-4.8	2	
18	252121011007	40323带自锁弯钩搭扣	The lid lock	1	
19	910200300011	螺钉GB70.2-M5x10-4.8	Screw GB70.1 M5x10-4.8	4	
20	255021020046	保护圈φ35	To protect the coil	1	


## 253698501015右盖板安装/SIDE PANEL INSTALLATION

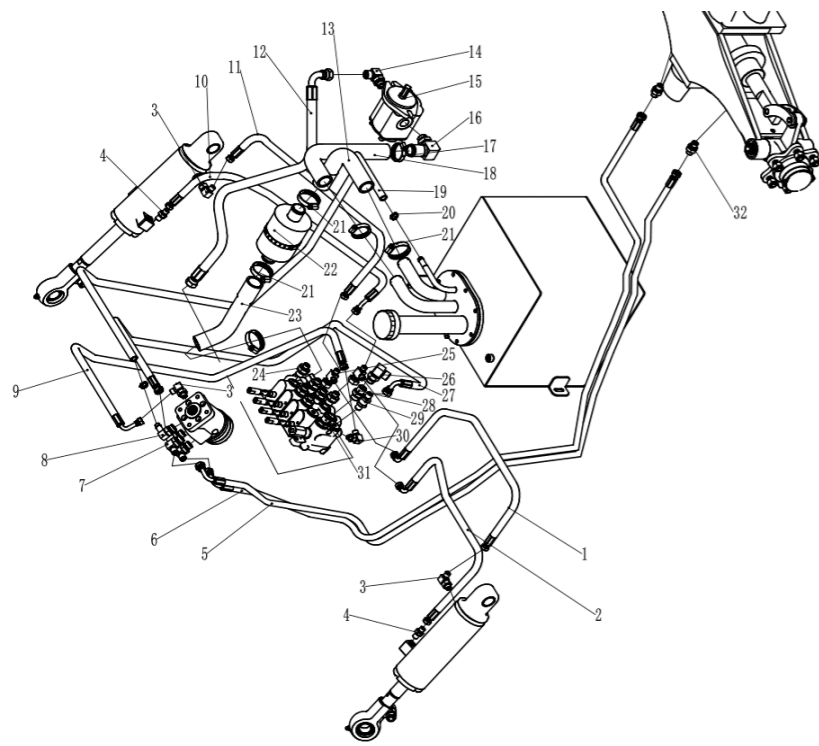
序号/NO	编码/SN	名称	Name	数量/QTY	备注/Remark
1	941100100001	螺钉M8X12-8.8	Screw M8x12-8.8	2	
2	941100100009	螺钉M6X12-8.8	Screw M6x12-8.8	8	
3	940400400002	板簧螺母M8-t(2-4)	Nut M8-t(2-4)	2	
4	255021020064	支架(左侧板)	Hanger	1	
5	253621011003	侧板焊接(左)	Side plate	1	25C
-	253721011003	侧板焊接(3T)	Side plate	1	32C
6	940600100005	磁钢Φ18x3	Spring washer GB93-6	1	
7	255021020062	支架(右侧板)	Screw GB70.1 M6x16-8.8	1	
8	253621011017	侧板焊接(右)	Side plate	1	25C
-	253721011017	侧板焊接(右)	Side plate	1	32C
9	505621520041	通风孔2	Vent (right)	1	
10	253621011015	挂钩焊接	Hook welding	2	
11	505621020004	缓冲垫Φ15xΦ6x10	Damping pad	2	
12	505621510004	通风孔组件2	Vent (left)	1	

## 253698501016仪表罩安装/INSTRUMENT COVER INSTALLATION

序号/NO	编码/SN	名称	Name	数量/QTY	备注/Remark
1	940400400001	板簧螺母M6-t(2-4)	Nut M6	6	
2	253621511006	盖板焊接(右)	Cover assembly	1	
3	910400200002	平垫6	Washer GB97.1-6-200HV	4	
4	941100100009	螺钉M6x12-8.8	Screw M6x12	6	
5	253610021001	仪表罩(25M)	Instrument mask	1	
6	255010020005	前盖	Cover	1	

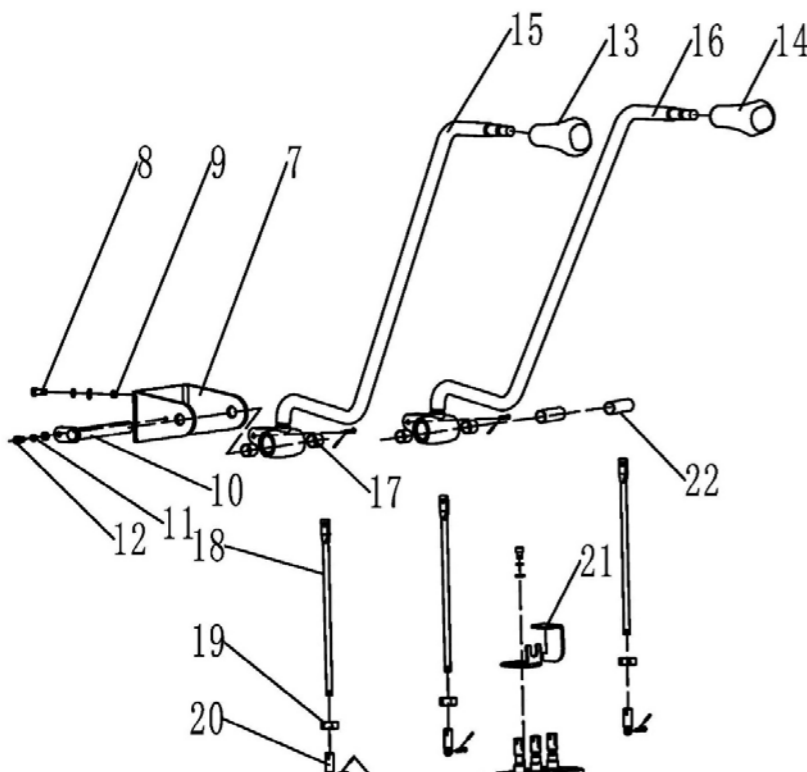




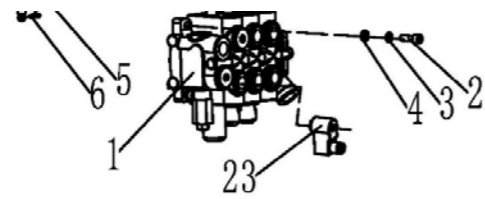


5	253623521005	液压管总成(90°)10-L2300-1SC-24°	Hydraulic Tube Assembly (90°)10-L2300-1SC-24°	1	
6	253623521006	液压管总成(90°)10-L2050-1SC-24°	Hydraulic Tube Assembly (90°)10-L2050-1SC-24°	1	
7	282323520008	接头(锁定弯)10-M20x1.5-M16x1.5-24°	Connector (lock bend) 10-M20X1.5-M16X1.5-24°	3	
8	255023510008	接头(锁定弯)11-M20x1.5-0	Connector (lock bend)11-M20x1.5-0	1	
9	253623521011	液压管总成(90°)8-L1250-1SC-24°	Hydraulic Tube Assembly (90°)8-L1250-1SC-24°	1	
10	253623521010	液压管总成(90°)8-L700-1SC-24°	Hydraulic Tube Assembly (90°)8-L700-1SC-24°	1	
11	253623521009	液压管总成(直)8-L500-1SC-24°	Hydraulic Tube Assembly 8-L550-1SC-24°	1	
12	253623521010	液压管总成(90°)15-L950-2SC-24°	Hydraulic Tube Assembly (90°)15-L950-2SC-24°	1	
13	253623521001	回油胶管(后)	Return oil hose (behind)	1	
14	251223520035	接头(锁定弯)12-G1/2-M22x1.5-24°	Connector (lock bend)12-G1/2-M22X1.5-24°	1	
15	256523512006	齿轮泵(泊姆克20cc)	The gear pump (Permco 20cc)	1	
16	255023510005	接头(转向弯)25-G1-Φ32	Joint (to bend)25-G1-Φ32	1	
17	911000600006	喉箍QC/T390-(40-45)	Hose hoops QC/T390-(40-45)	2	
18	256523520013	胶管2(吸油)	Rubber hose (oil absorption)	1	
19	900200401001	回油胶管23x5	Return oil hose 23X5	2560	
20	911000600003	喉箍QC/T390-(22-26)	Hose hoops QC/T390-(22-26)	2	
21	911000600004	喉箍QC/T390-(34-38)	Hose hoops QC/T390-(34-38)	4	
22	253623511020	外置回油过滤器	External oil return filter	1	
23	253623521002	回油胶管(前)	Return oil hose (front)	2	
24	255023520033	接头(直)8-M20x1.5-M16x1.5-24°	Connector (straight) 8-M20X1.5-M16X1.5-24°	6	
25	251223510012	接头(三通)7-2xM14x1.5-M16x1.5-24°	Connector (tee)7-2XM14X1.5-M16X1.5-24°	2	
26	282323520007	接头(锁定弯)12-M20x1.5-M22x1.5-24°	Connector (lock bend)12-M20x1.5-M22x1.5-24°	1	
27	253623521012	液压管总成(90°)10-L1320-1SC-24°	Hydraulic Tube Assembly (90°)8-L1320-1SC-24°	1	
28	282323520007	接头(锁定弯)12-M20x1.5-M22x1.5-24°	Connector (straight)15-M20X1.5-M22X1.5-24°	1	
29	251223520034	接头(直)8-2xM16x1.5-24°	Connector (straight)-2xM16X1.5-24°	1	
30	253623521013	接头(锁定弯)6-M12x1.5-M14x1.5-60°	Connector (lock bend) 6-M12X1.5 - M14X1.5 -60°	1	
31	251223520030	接头(直)15-M22x1.5-M22x1.5-24°	Connector (straight)15-M22X1.5-M22X1.5-24°	1	
32	251223520034	接头(直)8-2xM16x1.5-24°	Connector (straight)8-2XM16X1.5-24°	2	

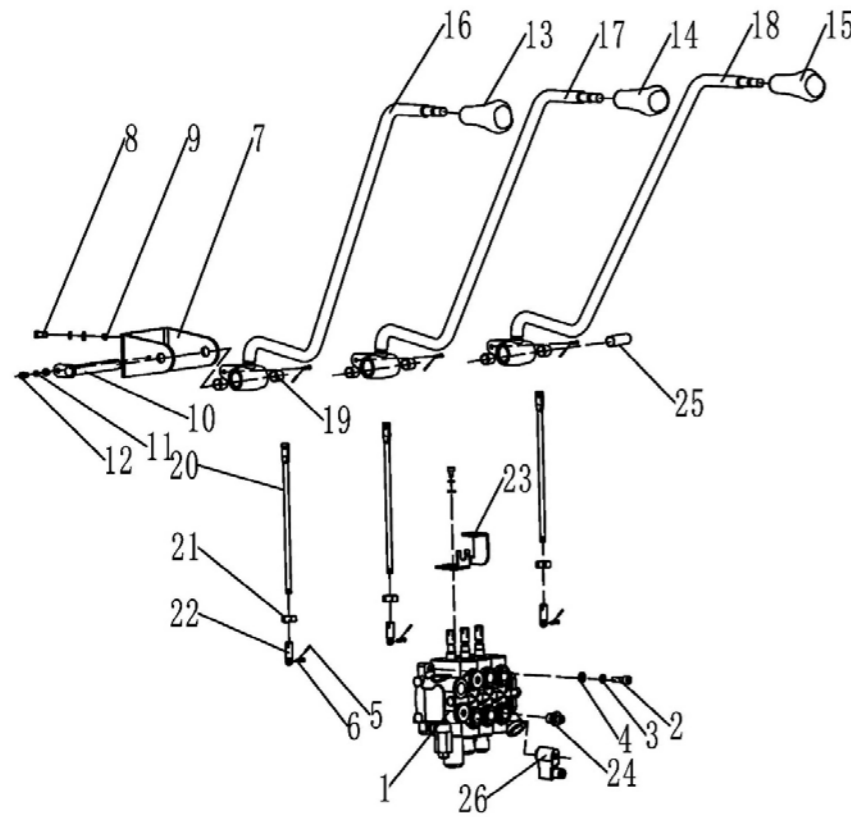
253698501020多路换向阀操纵(二联)/MULTI-WAY REVERSING VALVE CONTROL(TWO)



序号/NO	编码/SN	名称	Name	数量/QTY	备注/Remark
1	253624511002	多路阀(2联电磁阀ZSX)	Multi way valve (two) solenoid valve	1	
2	910100400006	螺栓GB5786-M10x1.25x40-8.8	Bolt GB5786-M10x1.25x40-8.8	4	
3	910400500007	弹簧垫圈GB93-10	Spring washer GB93-10	8	
4	910400100007	平垫圈GB97.1-10-200HV	Washer GB97.1-10-200HV	12	
5	941100800001	销轴B4.75x20-c1B	Pin B4.75x20-c1B	4	
6	910600600011	开口销GB91-2x12	Cotter pin GB91-2x12	4	
7	252124520002	支架(阀杆)	Support (stem)	1	
8	910100300037	螺栓GB5783-M10x30-8.8	Bolt GB5783 M10x30-8.8	4	
9	910300100007	螺母GB6170-M10-10	Nut GB6170-M10-10	4	
10	255024510009	带耳轴Φ16x168	With trunnion Φ16x168	1	
11	910400500005	弹簧垫圈GB93-6	Spring washer GB93-6	1	
12	910200200032	螺钉GB70.1-M6x10-8.8	Screw GB70.1 M6x10-8.8	1	
13	253524520010	手柄球(起升)	Handle ball(lift)	1	
14	253524520009	手柄球(倾斜)	Handle ball(tilt)	1	
15	253624510002	操纵杆焊合(起升)	Joystick welding(lifting)	1	
16	253624510003	操纵杆焊合(倾斜)	Joystick welding(tilt)	1	
17	940500100006	复合套Φ16xΦ18x15-SF-1	Composite set Φ16xΦ18x15-SF-1	4	
18	253624520003	连接杆	Connecting rod	2	
19	910300100006	螺母GB6170-M8-10	Nut GB6170 M8-10	2	
20	255025020003	接头	joint	2	
21	253524520014	支架(行程开关)	Bracket (travel switch)	2	
22	255024520028	轴套Φ29xΦ16x38	Shaft sleeveΦ29xΦ16x38	2	
23	255098514001	电磁阀DC24V	Solenoid valve DC24V	1	

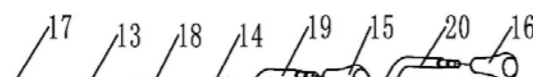



253698501021多路换向阀操纵(三联)MULTI-WAY REVERSING VALVE CONTROL(THREE)



序号/NO	编码/SN	名称	Name	数量/QTY	备注/Remark
1	253625011002	多路阀(3联电磁阀ZSX)	Multi way valve (three) solenoid valve	1	
2	910100400006	螺栓GB5786-M10x1.25x40-8.8	Bolt GB5786-M10x1.25x40-8.8	4	
3	910400500007	弹簧垫圈GB93-10	Spring washer GB93-10	8	
4	910400100007	平垫圈GB97.1-10-200HV	Washer GB97.1-10-200HV	12	
5	941100800001	销轴B4.75x20-c1B	Pin B4.75x20-c1B	6	
6	910600600011	开口销GB91-2x12	Cotter pin GB91-2x12	6	
7	252124520002	支架(阀杆)	Support (stem)	1	
8	910100300037	螺栓GB5783-M10x30-8.8	Bolt GB5783 M10x30-8.8	4	
9	910300100007	螺母GB6170-M10-10	Nut GB6170-M10-10	4	
10	255024510009	带耳轴Φ16x168	With trunnion Φ16x168	1	
11	910400500005	弹簧垫圈GB93-6	Spring washer GB93-6	1	
12	910200200032	螺钉GB70.1-M6x10-8.8	Screw GB70.1 M6x10-8.8	1	
13	253524520010	手柄球(起升)	Handle ball(lift)	1	
14	253524520009	手柄球(倾斜)	Handle ball(tilt)	1	
15	253525020002	手柄球(属具1)	Handle ball(belonging to 1)	1	
16	253624510002	操纵杆焊接(起升)	Joystick welding(lifting)	1	
17	253624510003	操纵杆焊接(倾斜)	Joystick welding(tilt)	1	
18	253625010004	操纵杆焊接(属具1)	Joystick welding(tool1)	1	
19	940500100006	复合套Φ16xΦ18x15-SF-1	Composite setΦ16xΦ18x15-SF-1	6	
20	253624520003	连接杆	Connecting rod	3	
21	910300100006	螺母GB6170-M8-10	Nut GB6170 M8-10	3	
22	255025020003	接头	joint	3	
23	253524520014	支架(行程开关)	Bracket (travel switch)	3	
24	255023520033	接头(直)8-M20x1.5-M16x1.5-60°	Joint (straight) 8-M20x1.5-M16x1.5-60°	2	
25	255024520028	轴套Φ29xΦ16x38	Shaft sleeve Φ16xΦ29x38	1	
26	255098514001	电磁阀DC24V	Solenoid valve DC24V	1	

253698501022多路换向阀操纵(四联)MULTI-WAY REVERSING VALVE CONTROL(FOUR)



序号/NO	编码/SN	名称	Name	数量/QTY	备注/Remark
1	253625511002	多路阀(4联电磁阀ZSX)	Multi way valve (four) solenoid valve	1	
2	910100400006	螺栓GB5786-M10x1.25x40-8.8	Bolt GB5786-M10x1.25x40-8.8	4	CE选配
3	910400500007	弹簧垫圈GB93-10	Spring washer GB93-10	8	







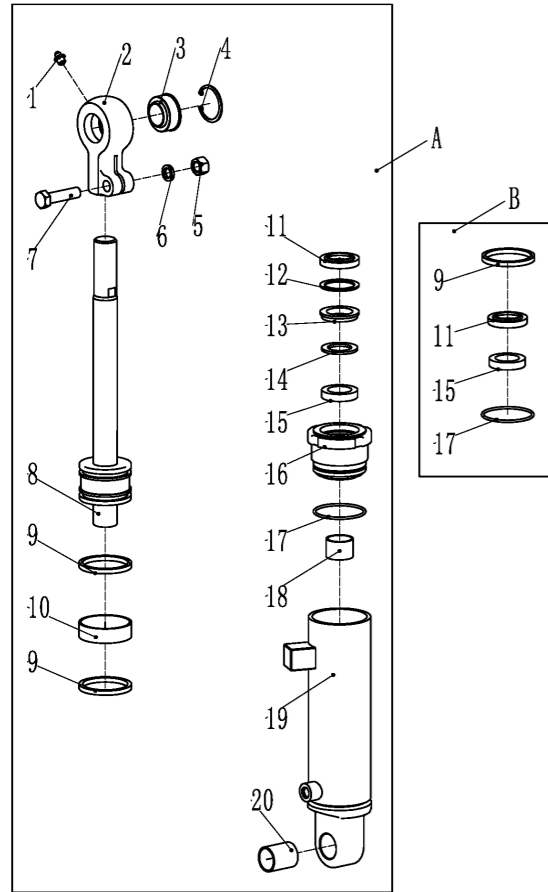






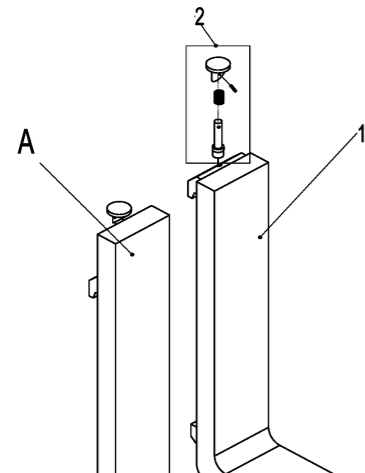


253698501030倾斜油缸/TILT CYLINDER



序号/NO	编码/SN	Name	名称	数量/QTY	备注/Remarks
A	253620510001	Oil cylinder(TL)Φ70xΦ32x121(6/8)	油缸(TL)Φ70xΦ32x121(6/8)	1	H≤3700,Left
A	253620510002	Oil cylinder(TL)Φ70xΦ32x103(6/6)	油缸(TL)Φ70xΦ32x103(6/6)	1	3700<H≤5000,Left
A	253620510003	Oil cylinder(TL)Φ70xΦ32x78(3/6)	油缸(TL)Φ70xΦ32x78(3/6)	1	5000<H,Left
A	253620510004	Oil cylinder(TR)Φ70xΦ32x121(6/8)	油缸(TR)Φ70xΦ32x121(6/8)	1	H≤3700,Right
A	253620510005	Oil cylinder(TR)Φ70xΦ32x103(6/6)	油缸(TR)Φ70xΦ32x103(6/6)	1	700<H≤5000,Right
A	253620510006	Oil cylinder(TR)Φ70xΦ32x78(3/6)	油缸(TR)Φ70xΦ32x78(3/6)	1	5000<H,Right
B	252198510006	Seal kits (tilted cylinder)	密封件修理包(倾斜缸)	2	
1	▲	Grease mouth Z1/8	直通式滑脂嘴Z1/8	2	
2	▲	Earring	耳环	2	
3	▲	Bearing GE30ES	关节轴承GE30ES	2	
4	▲	Circlip 47	挡圈47	2	
5	▲	Nut M14	螺母M14	2	
6	▲	Washer14	垫圈14	2	
7	▲	Bolt M14x55	螺栓M14x55	2	
8	▲	Piston body assembly	活塞体总成	2	
9	▲	Yx seal ring	Yx型密封圈	2	
10	▲	Support ring	支承环D63x20x2.5	2	
11	▲	Dust ring	防尘圈	2	
12	▲	Circlip 52	挡圈52	2	
13	▲	Circlip	挡圈	2	
14	▲	Catch 48x30x3	挡片48x30x3	2	
15	▲	Useal ring 48x30x10	U型密封圈	2	
16	▲	Guide sleeve	导向套	2	
17	▲	O seal ring 63x3.1	O型密封圈	2	
18	▲	Bearing 3025	钢背轴承3025	2	
19	▲	Cylinder barrel assembly	缸筒总成	2	
20	▲	Bearing 3040	钢背轴承3040	2	

253698501031货叉/Fork

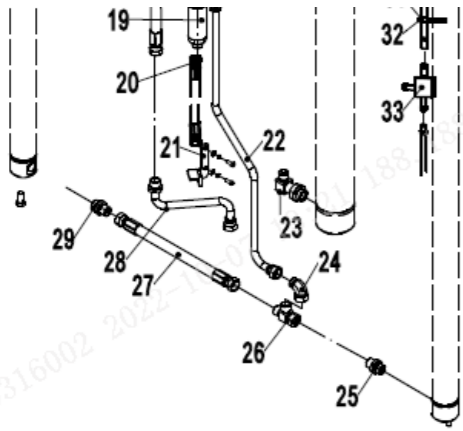


序号/NO	编码/SN	Name	名称	数量/QTY	备注/Remarks
A	940100100008	Fork 120x40x1070	挂钩II A型货叉120x40x1070	2	包含/Inc.1-2
	940100100010	Fork 120x40x1150	挂钩II A型货叉120x40x1150	2	25C
	940100100009	Fork 120x40x1220	挂钩II A型货叉120x40x1220	2	25C
	940100100011	Fork 120x40x1370	挂钩II A型货叉120x40x1370	2	25C
	940100100012	Fork 120x40x1520	挂钩II A型货叉120x40x1520	2	25C
1	▲	Fork body	货叉体	2	▲
2	253098514101	Lift pin assembly	提销总成	2	



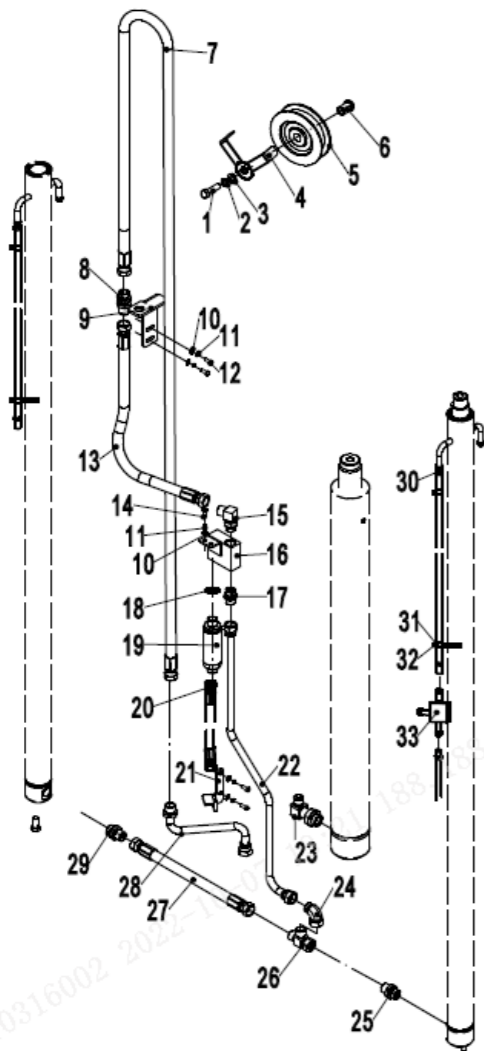






12	910100300022	Bolt GB5783-M8x20-8.8	螺栓GB5783-M8x20-8.8	3	
13	253644519002	Hydraulic hose assembly 15-L590-2SC-24°	液压管总成(直)15-L590-2SC-24°	1	
14	910100300020	Bolt GB5783-M8x16-8.8	螺栓GB5783-M8x16-8.8	2	
15	950401100004	Connector (lock bend) 15-2xM22x1.5-24°	接头(锁定弯-0R)15-2xM22x1.5-24°	1	
16	252144519002	Tee welded (20Q)	三通焊合(20Q)	1	
17	251223520030	Connector 15-M22x1.5-M22x1.5-24°	接头(直)15-M22x1.5-M22x1.5-24°	1	
18	910800100040	O - onner 24x2.4	O形圈-外24x2.4	1	
19	950700300007	The speed limit valve XSF-F16L-48	限速阀XSF-F16L-48	1	
20	253644529004	Hydraulic hose assembly (135°)15-L850-2SC-24°	液压管总成(135°)15-L850-2SC-24°	1	
21	253644529005	Steel tube limit plate	钢管限位板	1	
22	253644519004	Three through the transition steel pipe welding	三通过渡钢管焊合	1	
23	251244529002	Connector (lock bend) 12-M27x2-M22x1.5-24°	接头(锁定弯)12-M27x2-M22x1.5-24°	1	

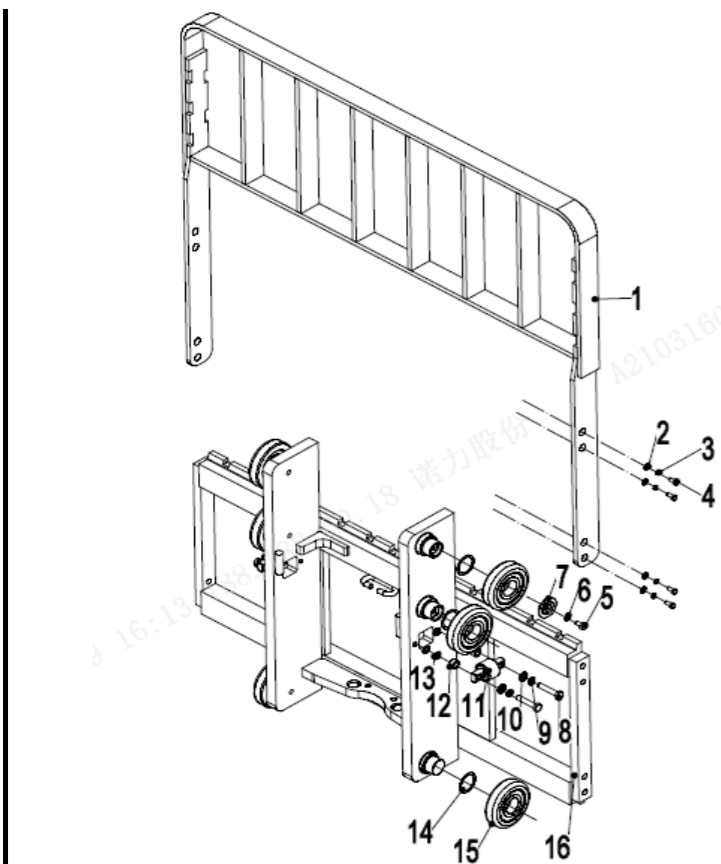
### 253698501033门架起升管路 (三级全自由)/Mast lifting pipeline(three stage full free lift)-25C



序号/NO	编码/SN	Name	名称	数量/QTY	备注/Remarks
24	950400200005	Connector(turn) 15-2xM22x1.5-24°	接头(转向弯)15-2xM22x1.5-24°	1	
25	251223520122	Connector 12-M20x1.5-M22x1.5-24°	接头(直)12-M20x1.5-M22x1.5-24°	1	
26	950400100002	Connector 12-2xM16x1.5-24°	接头(转接直)12-2xM16x1.5-24°	1	
27	253644529001	Hydraulic hose assembly 15-L370-2SC-24°	液压管总成(直)15-L370-2SC-24°	1	
28	253644519003	Welding of intermediate cylinder transition steel	中缸过渡钢管焊合	1	
29	256898520001	explosion-proof valve	防爆阀	1	
30	255044020043	Clamp 13	卡箍13	6	
31	921600400001	4 x250 tie	扎带4x250	6	
32	255044020042	clamp	压板	4	
33	255044020118	Connector (tee)	接头(三通)	1	

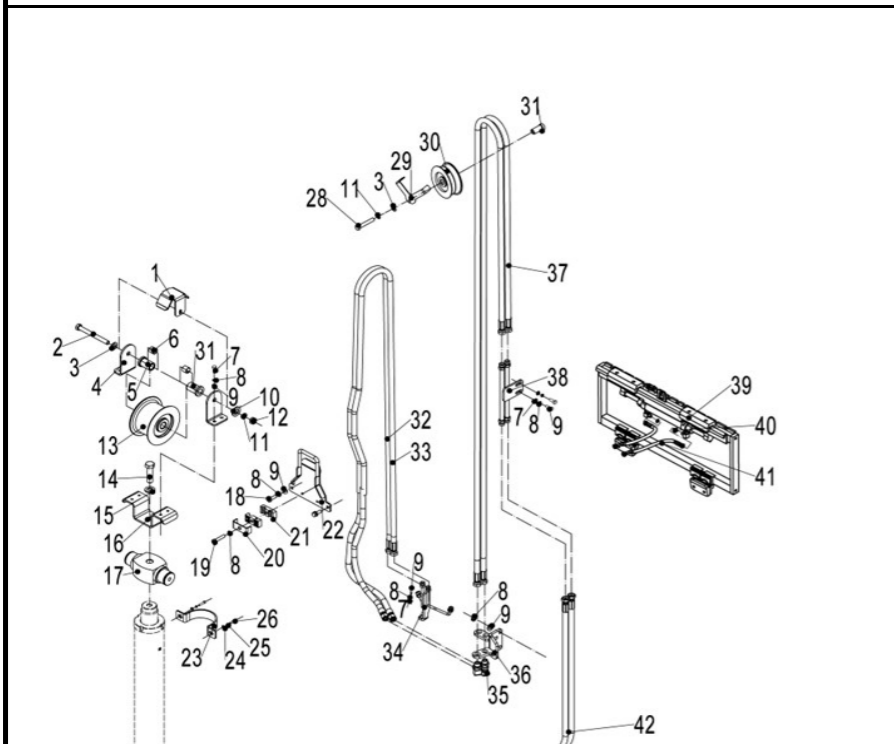
### 253698501034货叉架 (三级全自由) /Fork carrier(three stage full free)-25C

序号/NO	编码/SN	Name	名称	数量/QTY	备注/Remarks
1	255040510001	Load backrest welding(1040x986)	挡货架焊合(1040x986)	1	



2	910400100009	Washer GB97.1-14-200HV	平垫圈GB97.1-14-200HV	8	
3	910400500009	Washer GB93-14	弹簧垫圈GB93-14	8	
4	910100300062	Bolt GB5783-M14x30-8.8	螺栓GB5783-M14x30-8.8	8	
5	910100300020	Bolt GB5783-M8x16-8.8	螺栓GB5783-M8x16-8.8	2	
6	910400500006	Spring Washer GB93-8	弹簧垫圈GB93-8	2	
7	253638020301	Roller cover	滚轮压盖	2	
8	910100300041	Bolt GB5783-M10x50-8.8	螺栓GB5783-M10x50-8.8	4	
9	910400500007	Washer GB93-10	弹簧垫圈GB93-10	8	
10	910400100007	Washer GB97.1-14-200HV	平垫圈GB97.1-14-200HV	8	
11	940200200005	Side roller $\Phi$ 42 - CD = 68	侧滚轮 $\Phi$ 42-CD=68	2	
12	255038020008	Adjusting sleeve	调整套	4	
13	255038020009	Adjustable pad	调整垫	12	
14	253644520020	Washer $\Phi$ 45x $\Phi$ 36x0.2	垫圈 $\Phi$ 45x $\Phi$ 36x0.2	6	选配
14	253644520021	Washer $\Phi$ 45x $\Phi$ 36x0.5	垫圈 $\Phi$ 45x $\Phi$ 36x0.5	6	选配
14	253644520015	Washer $\Phi$ 45x $\Phi$ 36x1	垫圈 $\Phi$ 45x $\Phi$ 36x1	6	选配
15	940200100047	Main roller $\Phi$ 104.5x $\Phi$ 35x25	主滚轮 $\Phi$ 104.5x $\Phi$ 35x25	6	选配
15	940200100048	Main roller $\Phi$ 104.7x $\Phi$ 35x25	主滚轮 $\Phi$ 104.7x $\Phi$ 35x25	6	选配
15	940200100049	Main roller $\Phi$ 105x $\Phi$ 35x25	主滚轮 $\Phi$ 105x $\Phi$ 35x25	6	选配
16	253638002301	Assembly drawing of fork rack welding	货叉架焊合集合图(三级全自由门架)	1	

253698501035侧移器及管路安装(三级全自由)/Side shifter and pipeline installation(three stage full free)-25C

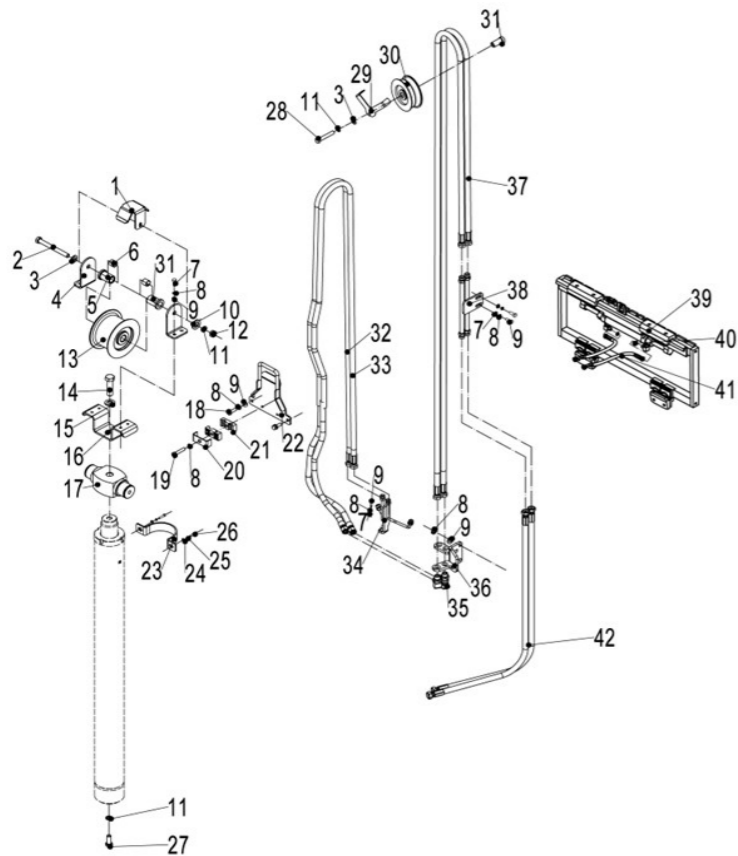


序号/NO	编码/SN	Name	名称	数量/QTY	备注/Remarks
1	253630520904	Middle cylinder rubber tube cover	中缸胶管护罩	1	
2	910100100060	Bolt GB5782-M12x120-8.8	螺栓GB5782-M12x120-8.8	1	
3	910400100008	Washer GB97.1-12-200HV	平垫圈GB97.1-12-200HV	2	
4	253630520906	Stent	支架	2	
5	255044520081	Bush $\Phi$ 20x $\Phi$ 13x33	衬套 $\Phi$ 20x $\Phi$ 13x33	2	
6	940500100019	Bush $\Phi$ 20x $\Phi$ 23x20-SF-1	复合套 $\Phi$ 20x $\Phi$ 23x20-SF-1	2	
7	910100300020	Bolt GB5782-M12x120-8.8	螺栓GB5782-M12x120-8.8	6	
8	910400500006	Washer GB93-8	弹簧垫圈GB93-8	10	
9	910400100006	Washer GB97.1-8-200HV	平垫圈GB97.1-8-200HV	10	
10	910400200005	Washer GB96.1-12-200HV	大垫圈GB96.1-12-200HV		
11	910400500008	Washer GB93-12	弹簧垫圈GB93-12	2	
12	910300100008	Nut GB6170-M12-10	螺母GB6170-M12-10	1	
13	253631020020	Pulley $\Phi$ 104x76	滑轮 $\Phi$ 104x76(四联)	1	
14	910100100072	Bolt GB5782-M16x60-8.8	螺栓GB5782-M16x60-8.8	1	
15	910400100010	Washer GB97.1-16-200HV	平垫圈GB97.1-16-200HV	1	
16	253644520012	Middle cylinder chain baffle	中缸链条挡板	1	
17	255043520006	Cylinder head	缸头	2	
18	910100300023	Bolt GB5783-M8x25-8.8	螺栓GB5783-M8x25-8.8	2	
19	910100300027	Bolt GB5783-M8x45-8.8	螺栓GB5783-M8x45-8.8	2	
20	255028520035	Pipe press fixedly plank	管夹安装板	2	
21	255028520034	Rubber pipe lump	胶管固定块	4	



22	253630510001	Intermediate cylinder rubber tube transition	中缸胶管过渡架	1	
23	253644520004	Embrace hoop	抱箍	2	
24	910400100007	Washer GB97.1-10-200HV	平垫圈GB97.1-10-200HV	2	
25	910400500007	Washer GB93-10	弹簧垫圈GB93-10	2	
26	910100300036	Bolt GB5783-M10x25-8.8	螺栓GB5783-M10x25-8.8	1	
27	910100300050	Bolt GB5783-M12x30-8.8	螺栓GB5783-M12x30-8.8	1	
28	910100100048	Bolt GB5782-M12x50-8.8	螺栓GB5782-M12x50-8.8	1	
29	256844520021	Hose baffle	胶管挡板	1	
30	255030520020	Pulley Φ120x42	滑轮Φ120x42(双槽)	1	
31	254130520016	Bush Φ20xΦ13x43	衬套Φ20xΦ13x43		

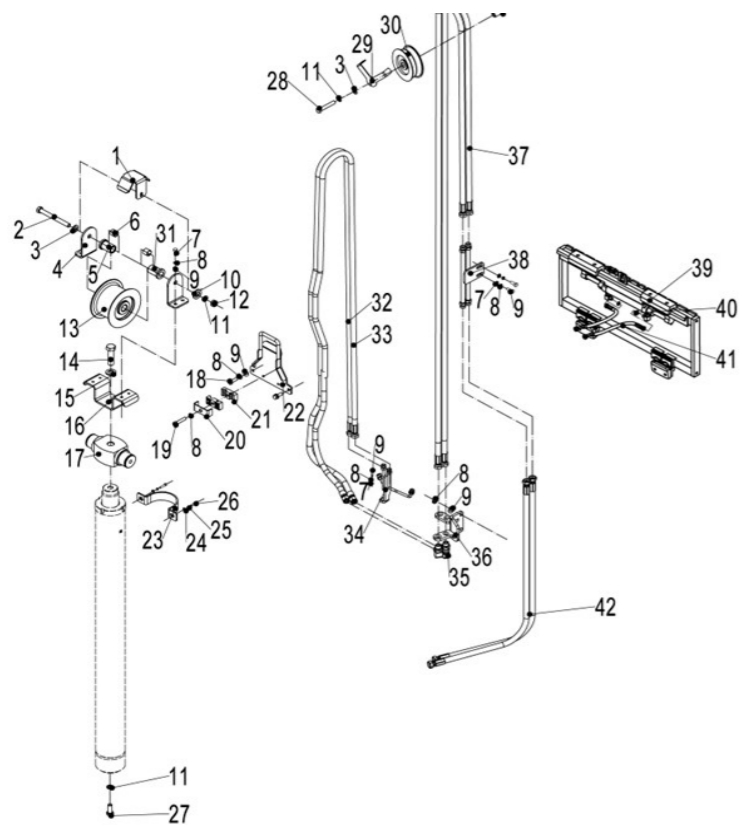
253698501035门架 (三级全自由)/Mast (three stage full free lift)-25C



序号/NO	编码/SN	Name	名称	数量/QTY	备注/Remarks
32	251329020701	Hydraulic hose assembly 10-L2170-1SC-24°	液压管总成(直)10-L2170-1SC-24°	1	H=3600
32	251230520715	Hydraulic hose assembly 10-L2295-1SC-24°	液压管总成(直)10-L2295-1SC-24°	1	H=4000
32	251230520703	Hydraulic hose assembly 10-L2410-1SC-24°	液压管总成(直)10-L2410-1SC-24°	1	H=4350
32	251230520716	Hydraulic hose assembly 10-L2470-1SC-24°	液压管总成(直)10-L2470-1SC-24°	1	H=4500
32	253630520104	Hydraulic hose assembly 10-L2570-1SC-24°	液压管总成(直)10-L2570-1SC-24°	1	H=4800
32	251231020702	Hydraulic hose assembly 10-L2650-1SC-24°	液压管总成(直)10-L2650-1SC-24°	1	H=5000
32	253630520109	Hydraulic hose assembly 10-L2820-1SC-24°	液压管总成(直)10-L2820-1SC-24°	1	H=5500
32	282323520029	Hydraulic hose assembly 10-L3030-1SC-24°	液压管总成(直)10-L3030-1SC-24°	1	H=6000
32	253630520110	Hydraulic hose assembly 10-L3150-1SC-24°	液压管总成(直)10-L3270-1SC-24°	1	H=6500
33	251328520704	Hydraulic hose assembly 10-L2220-1SC-24°	液压管总成(直)10-L2220-1SC-24°	1	H=3600
33	253630520106	Hydraulic hose assembly 10-L2330-1SC-24°	液压管总成(直)10-L2330-1SC-24°	1	H=4000
33	251230520716	Hydraulic hose assembly 10-L2470-1SC-24°	液压管总成(直)10-L2470-1SC-24°	1	H=4350
33	251330520702	Hydraulic hose assembly 10-L2510-1SC-24°	液压管总成(直)10-L2510-1SC-24°	1	H=4500
33	251230520704	Hydraulic hose assembly 10-L2610-1SC-24°	液压管总成(直)10-L2610-1SC-24°	1	H=4800
33	253630520107	Hydraulic hose assembly 10-L2680-1SC-24°	液压管总成(直)10-L2680-1SC-24°	1	H=5000
33	251228520701	Hydraulic hose assembly 10-L2850-1SC-24°	液压管总成(直)10-L2850-1SC-24°	1	H=5500
33	253630520105	Hydraulic hose assembly 10-L3070-1SC-24°	液压管总成(直)10-L3070-1SC-24°	1	H=6000
33	253630520108	Hydraulic hose assembly 10-L3310-1SC-24°	液压管总成(直)10-L3310-1SC-24°	1	H=6500
34	253630520004	Single attached hose bracket	单附胶管支架	1	
35	950400600002	Joint 10-M16x1.5-M16x1.5-24°	接头(隔壁弯)10-M16x1.5-M16x1.5-24°	1	
36	253630510002	Hose mounting rack	胶管安装架	1	
37	253630520101	Hydraulic hose assembly 10-L1770-1SC-24°	液压管总成(直)10-L1770-1SC-24°	2	H=3600
37	253630520102	Hydraulic hose assembly 10-L2020-1SC-24°	液压管总成(直)10-L2020-1SC-24°	2	H=4000
37	253630520103	Hydraulic hose assembly 10-L2270-1SC-24°	液压管总成(直)10-L2270-1SC-24°	2	H=4350
37	251329020702	Hydraulic hose assembly 10-L2360-1SC-24°	液压管总成(直)10-L2360-1SC-24°	2	H=4500
37	253630520104	Hydraulic hose assembly 10-L2570-1SC-24°	液压管总成(直)10-L2570-1SC-24°	2	H=4800
37	251330520703	Hydraulic hose assembly 10-L2710-1SC-24°	液压管总成(直)10-L2710-1SC-24°	2	H=5000
37	253630520105	Hydraulic hose assembly 10-L3070-1SC-24°	液压管总成(直)10-L3070-1SC-24°	2	H=5500
37	251327520001	Hydraulic hose assembly 10-L3470-1SC-24°	液压管总成(直)10-L3470-1SC-24°	2	H=6000
37	282331020103	Hydraulic hose assembly 10-L3970-1SC-24°	液压管总成(直)10-L3970-1SC-24°	2	H=6500
38	251330510004	Hydraulic steel pipe welding (24°)	液压钢管焊接(24°)	1	

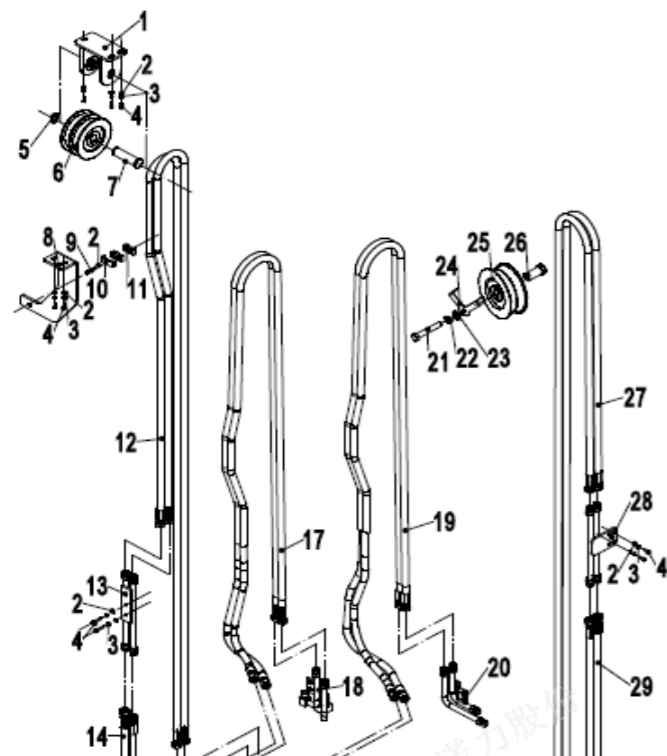
253698501035门架 (三级全自由)/Mast (three stage full free lift)-25C

序号/NO	编码/SN	Name	名称	数量/QTY	备注/Remarks
39	256042510004	Side shifter assembly1100(LH)	外置侧移器1100(LH)	1	
39	253542510001	Side shifter assembly1100(LD)	外置侧移器1100(LD)	1	
39	256042510002	Side shifter assembly(CASCADE)	侧移器总成(卡斯卡特)	1	



40	910800100001	Oring 9.5x1.8	O形圈-内9.5x1.8	2	
41	253642520002	Hydraulic hose assembly 10-L400-1SC-24°-0°	液压管总成(直)10-L400-1SC-24°-0°	2	
42	253630520006	Hydraulic hose assembly 10-L1070-1SC-24°	液压管总成(直)10-L1070-1SC-24°	2	1070

253698501036双附加管路(三级全自由)/DOUBLE ADDITIONAL TUBE(three stage full free)-25C

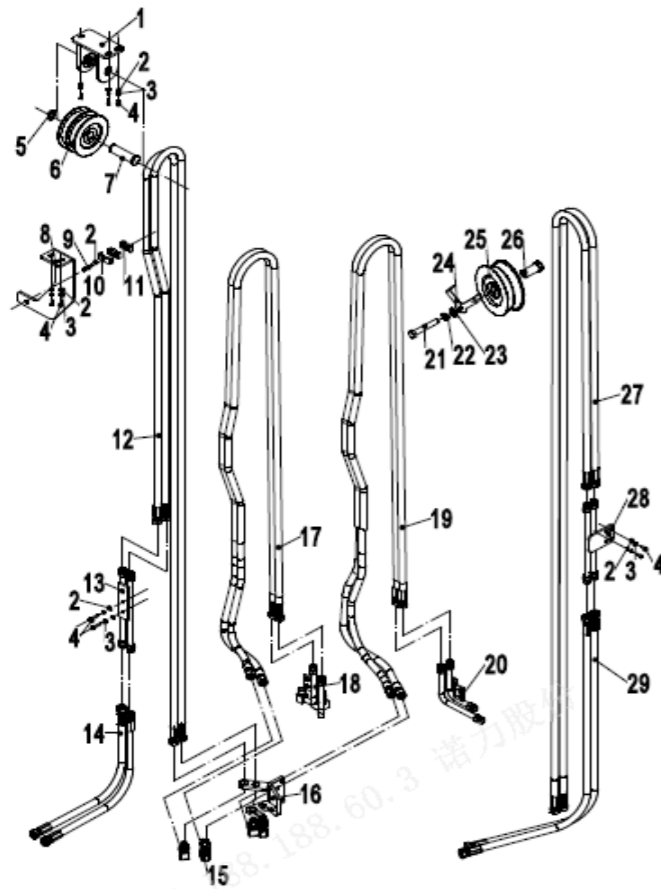


序号/NO	编码/SN	Name	名称	数量/QTY	备注/Remarks
1	255031010002	Pulley support welded 2	滑轮支架焊接2	1	
1	255031010001	Pulley support welded 1	滑轮支架焊接1	1	
2	910400100006	Washer GB97.1-8-200HV	平垫圈GB97.1-8-200HV	4	
3	910400500006	Washer GB93-8	弹簧垫圈GB93-8	4	
4	910100300022	Bolt GB5783-M8x20-8.8	螺栓GB5783-M8x20-8.8	2	
5	910401300011	Circlip GB894.1-20	轴用弹性挡圈GB894.1-20	1	
6	255031020007	Pulley Φ90x22	滑轮Φ90x22(单槽)	2	
7	255031020004	Axle Φ20x70	带耳轴Φ20x70	1	
8	253631020901	Hose fixing plate	胶管固定板	1	
9	910100300025	Bolt GB5783-M8x35-8.8	螺栓GB5783-M8x35-8.8	4	
10	255028520035	Pipe press fixedly piank	安装板(管夹)	4	
11	255028520034	Hose fixing bloke	胶管固定块	8	
12	251230520701	Hydraulic hose assembly 10-L2060-1SC-24°	液压管总成(直)10-L2060-1SC-24°	2	H=3600
12	251230520702	Hydraulic hose assembly 10-L2310-1SC-24°	液压管总成(直)10-L2310-1SC-24°	2	H=4000
12	253630520201	Hydraulic hose assembly 10-L2545-1SC-24°	液压管总成(直)10-L2545-1SC-24°	2	H=4350
12	251231020702	Hydraulic hose assembly 10-L2650-1SC-24°	液压管总成(直)10-L2650-1SC-24°	2	H=4500
12	251228520701	Hydraulic hose assembly 10-L2850-1SC-24°	液压管总成(直)10-L2850-1SC-24°	2	H=4800
12	253631020101	Hydraulic hose assembly 10-L3010-1SC-24°	液压管总成(直)10-L3010-1SC-24°	2	H=5000
12	282344529503	Hydraulic hose assembly 10-L3350-1SC-24°	液压管总成(直)10-L3350-1SC-24°	2	H=5500
12	251328020002	Hydraulic hose assembly 10-L3750-1SC-24°	液压管总成(直)10-L3750-1SC-24°	2	H=6000
12	253631020102	Hydraulic hose assembly 10-L4250-1SC-24°	液压管总成(直)10-L4250-1SC-24°	2	H=6500
13	251331010002	Hydraulic steel pipe welding(24°)	过渡钢管总成(24°)	1	
14	253631020003	Hydraulic hose assembly 10-L630-1SC-24°	液压管总成(直)10-L630-1SC-24°	2	



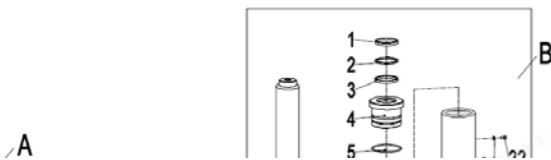
15	950400600002	Joint (adjoining bend) 10-M16x1.5-M16x1.5-24°	接头(隔壁弯)10-M16x1.5-M16x1.5-24°	4	
16	253631010001	Hose mounting rack	胶管安装架	1	
17	251230520701	Hydraulic hose assembly 10-L2060-1SC-24°	液压管总成(直)10-L2060-1SC-24°	2	H=3600
17	251223520001	Hydraulic hose assembly 10-L2200-1SC-24°	液压管总成(直)10-L2200-1SC-24°	2	H=4000
17	251230520702	Hydraulic hose assembly 10-L2310-1SC-24°	液压管总成(直)10-L2310-1SC-24°	2	H=4350
17	251329020702	Hydraulic hose assembly 10-L2360-1SC-24°	液压管总成(直)10-L2360-1SC-24°	2	H=4500
17	251230520716	Hydraulic hose assembly 10-L2470-1SC-24°	液压管总成(直)10-L2470-1SC-24°	2	H=4800
17	253630520201	Hydraulic hose assembly 10-L2545-1SC-24°	液压管总成(直)10-L2545-1SC-24°	2	H=5000

253698501036双附加管路(三级全自由)/DOUBLE ADDITIONAL TUBE(three stage full free)-25C

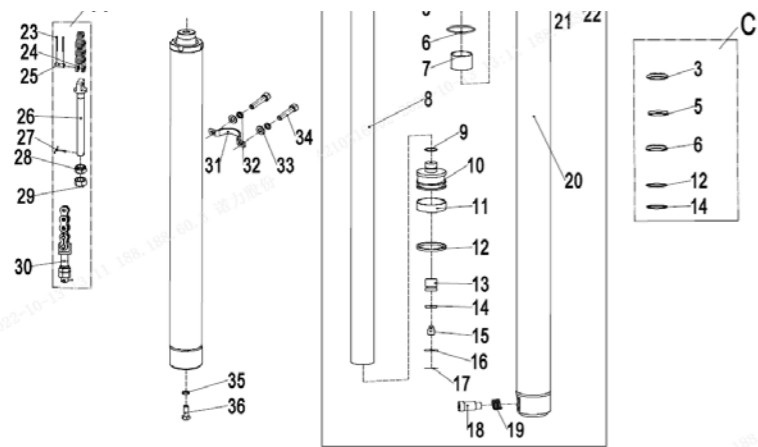


序号/NO	编码/SN	Name	名称	数量/QTY	备注/Remarks
17	251330520703	Hydraulic hose assembly 10-L2710-1SC-24°	液压管总成(直)10-L2710-1SC-24°	2	H=5500
17	251330520704	Hydraulic hose assembly 10-L2910-1SC-24°	液压管总成(直)10-L2910-1SC-24°	2	H=6000
17	251231020705	Hydraulic hose assembly 10-L3150-1SC-24°	液压管总成(直)10-L3150-1SC-24°	2	H=6500
18	253630520004	Single attached hose bracket	单附胶管支架	1	
19	251230520714	Hydraulic hose assembly 10-L2120-1SC-24°	液压管总成(直)10-L2120-1SC-24°	2	H=3600
19	253631020201	Hydraulic hose assembly 10-L2255-1SC-24°	液压管总成(直)10-L2255-1SC-24°	2	H=4000
19	253631020202	Hydraulic hose assembly 10-L2380-1SC-24°	液压管总成(直)10-L2380-1SC-24°	2	H=4350
19	253631020203	Hydraulic hose assembly 10-L2430-1SC-24°	液压管总成(直)10-L2430-1SC-24°	2	H=4500
19	251328520705	Hydraulic hose assembly 10-L2530-1SC-24°	液压管总成(直)10-L2530-1SC-24°	2	H=4800
19	251230520704	Hydraulic hose assembly 10-L2610-1SC-24°	液压管总成(直)10-L2610-1SC-24°	2	H=5000
19	253631020204	Hydraulic hose assembly 10-L2770-1SC-24°	液压管总成(直)10-L2770-1SC-24°	2	H=5500
19	253631020205	Hydraulic hose assembly 10-L2970-1SC-24°	液压管总成(直)10-L2970-1SC-24°	2	H=6000
19	251328520702	Hydraulic hose assembly 10-L3220-1SC-24°	液压管总成(直)10-L3220-1SC-24°	2	H=6500
20	253631020002	Double rubber tube bracket	双附胶管支架	1	
21	910100100048	Bolt GB5782-M12x50-8.8	螺栓GB5782-M12x50-8.8	1	
22	910400500008	Washer GB93-12	弹簧垫圈GB93-12		
23	910400100008	Washer GB97.1-12-200HV	平垫圈GB97.1-12-200HV		
24	256844520021	Hose baffle	胶管挡板		
25	255030520020	Pulley Φ120x42	滑轮Φ120x42(双槽)		
26	255030520023	Bush	衬套1		
27	253630520101	Hydraulic hose assembly 10-L1770-1SC-24°	液压管总成(直)10-L1770-1SC-24°	2	H=3600
27	253630520102	Hydraulic hose assembly 10-L2020-1SC-24°	液压管总成(直)10-L2020-1SC-24°	2	H=4000
27	253630520103	Hydraulic hose assembly 10-L2270-1SC-24°	液压管总成(直)10-L2270-1SC-24°	2	H=4350
27	251329020702	Hydraulic hose assembly 10-L2360-1SC-24°	液压管总成(直)10-L2360-1SC-24°	2	H=4500
27	251328520705	Hydraulic hose assembly 10-L2530-1SC-24°	液压管总成(直)10-L2530-1SC-24°	2	H=4800
27	251330520703	Hydraulic hose assembly 10-L2710-1SC-24°	液压管总成(直)10-L2710-1SC-24°	2	H=5000
27	253630520105	Hydraulic hose assembly 10-L3070-1SC-24°	液压管总成(直)10-L3070-1SC-24°	2	H=5500
27	251327520001	Hydraulic hose assembly 10-L3470-1SC-24°	液压管总成(直)10-L3470-1SC-24°	2	H=6000
27	282331020103	Hydraulic hose assembly 10-L3970-1SC-24°	液压管总成(直)10-L3970-1SC-24°	2	H=6500
28	251330510004	Hydraulic steel pipe welding (24°)	液压钢管焊接(24°)	1	
29	253630520006	Hydraulic hose assembly 10-L1070-1SC-24°	液压管总成(直)10-L1070-1SC-24°	2	1070

253698501037短起升油缸(三级全自由门架)/SHORT LIFTING CYLINDER (three stage full free) -25C

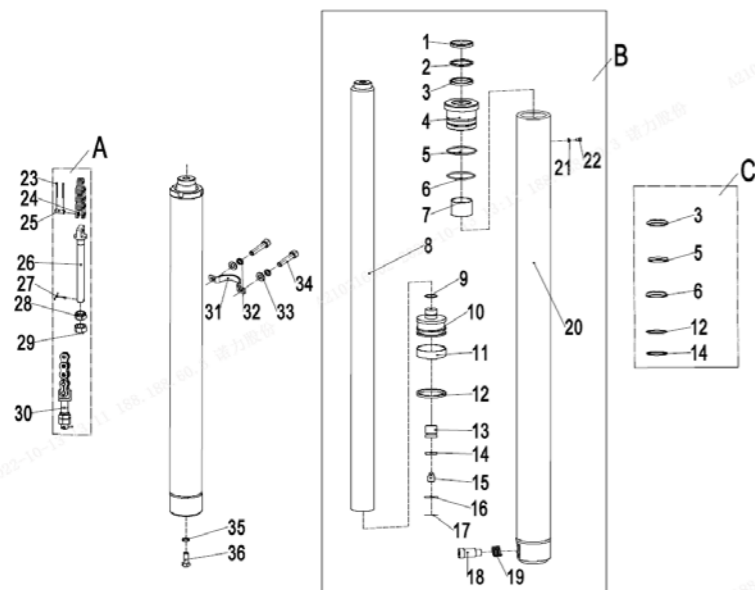


序号/NO	编码/SN	Name	名称	数量/QTY	备注/Remarks
A	255043510090	Lifting chain LH1623x37	起升链条LH1623x37	2	H=3600
A	255044510124	Lifting chain LH1623x45	起升链条LH1623x45	2	H=4000
A	255044010109	Lifting chain LH1623x51	起升链条LH1623x51	2	H=4350
A	255044510045	Lifting chain LH1623x53	起升链条LH1623x53	2	H=4500
A	255044010059	Lifting chain LH1623x57	起升链条LH1623x57	2	H=4800



A	255044510133	Lifting chain LH1623x59	起升链条LH1623x59	2	H=5000
A	256844014002	Lifting chain LH1623x65	起升链条LH1623x65	2	H=5500
A	255044510138	Lifting chain LH1623x73	起升链条LH1623x73	2	H=6000
A	255044010101	Lifting chain LH1623x77	起升链条LH1623x77	2	H=6500
B	253644518001	Short lifting cylinderΦ75xΦ50x622	油缸(M)Φ75xΦ50x622	1	H=3600
B	253644518002	Short lifting cylinderΦ75xΦ50x685	油缸(M)Φ75xΦ50x685	1	H=4000
B	253644518003	Short lifting cylinderΦ75xΦ50x748	油缸(M)Φ75xΦ50x748	1	H=4350
B	253644518004	Short lifting cylinderΦ75xΦ50x772	油缸(M)Φ75xΦ50x772	1	H=4500
B	253644518005	Short lifting cylinderΦ75xΦ50x805	油缸(M)Φ75xΦ50x805	1	H=4800
B	253644518006	Short lifting cylinderΦ75xΦ50x822	油缸(M)Φ75xΦ50x822	1	H=5000
B	253644518007	Short lifting cylinderΦ75xΦ50x879	油缸(M)Φ75xΦ50x879	1	H=5500
B	253644518008	Short lifting cylinderΦ75xΦ50x979	油缸(M)Φ75xΦ50x979	1	H=6000
B	253644518009	Short lifting cylinderΦ75xΦ50x995	油缸(M)Φ75xΦ50x995	1	H=6500
C	255098510002	Seal kits(middle cylinder)	密封件修理包(三级全自由中缸)	1	
1	▲	Dust ring 50x58x7/6.5	防尘圈50x58x7/6.5	1	
2	▲	Catch 50x60x3	挡片50x60x3	1	
3	▲	Seal ring 50x60x6	密封圈50x60x6	1	
4	▲	Glide sleeve	导向套	1	
5	▲	O ring D75X3.1	O型密封圈D75X3.1	1	
A	▲	O ring D75X3.1	O型密封圈D70x3.1	1	
A	▲	Bearing50x55x40	钢背轴承 50x55x40	1	
A	▲	HSG Piston rod	HSG活塞杆	1	
A	▲	Circlip	钢丝挡圈	1	
A	▲	Piston assembly	活塞总成	1	
A	▲	Support ring 65x70x20	支承环65x70x20	1	
A	▲	Seal ring 70x60x6	孔用密封圈70x60x6	1	

### 253698501037短起升油缸(三级全自由门架)/SHORT LIFTING CYLINDER (three stage full free) -25C



序号/NO	编码/SN	Name	名称	数量/QTY	备注/Remarks
14	▲	O ring D15x2.4	O型密封圈D15x2.4	1	
15	▲	Valve plug	阀芯	1	
16	▲	Catch	挡片	1	
17	▲	Circlip 22(inport)	挡圈 22(进口型)	1	
18	▲	Slide valve	滑阀	1	
19	▲	Spring2.3x15x48.5	弹簧2.3x15x48.5	1	
20	▲	Cylinder	缸体	1	
21	▲	Spacer	垫片	1	
22	▲	Screw M5x5	螺钉M5x6	1	
23	910600600022	Split pin GB91-2.5x40	开口销GB91-2.5x40	2	
24	910900400014	LH1623 chain	板式链GB6074-LH1623	2	
25	255044020146	Φ9.5x25	销轴Φ9.5x25	2	
26	255044020157	Joint M18x1.5x217	链条螺栓M18x1.5x217	2	
27	910600600030	split pin3.2x30	开口销GB91-3.2x30	2	
28	255044020158	Nut M18x1.5	球面螺母M18x1.5	2	
29	910300400007	Nut M18x1.5-0.5	螺母GB6173-M18x1.5-05	2	
30	255044020156	Joint M18x1.5x102	链条螺栓M18x1.5x102	1	
31	253644520004	Hug the hoop	抱箍	1	
32	910400500006	Spring Washer GB93-8	弹簧垫圈GB93-8	2	
33	910300100006	Bolt GB6170-M8-10	螺母GB6170-M8-10	1	
34	910100300036	Joint GB5783-M10x25-8.8	螺栓GB5783-M10x25-8.8	2	
35	910400500008	SpringWasherGB93-12	弹簧垫圈GB93-12	1	
36	910100400009	BoltGB5786-M12x1.25x25-8.8	螺栓GB5786-M12x1.25x25-8.8	1	


253698501038起升油缸(三级全自由门架)/ LIFTING CYLINDER (three stage full free) -25C

序号/NO	编码/SN	Name	名称	数量/QTY	备注/Remarks
A	253644516001	cylinderΦ50xΦ40x1400	油缸(L)Φ50xΦ40x1400	1	H=3600
A	253644516002	cylinderΦ50xΦ40x1525	油缸(L)Φ50xΦ40x1525	1	H=4000
A	253644516003	cylinderΦ50xΦ40x1645	油缸(L)Φ50xΦ40x1645	1	H=4350
A	253644516004	cylinderΦ50xΦ40x1695	油缸(L)Φ50xΦ40x1695	1	H=4500
A	253644516005	cylinderΦ50xΦ40x1795	油缸(L)Φ50xΦ40x1795	1	H=4800
A	253644516006	cylinderΦ50xΦ40x1870	油缸(L)Φ50xΦ40x1870	1	H=5000
A	253644516007	cylinderΦ50xΦ40x2045	油缸(L)Φ50xΦ40x2045	1	H=5500
A	253644516008	cylinderΦ50xΦ40x2245	油缸(L)Φ50xΦ40x2245	1	H=6000
A	253644516009	cylinderΦ50xΦ40x2477	油缸(L)Φ50xΦ40x2477	1	H=6500
B	253644517001	cylinderΦ50xΦ40x1400	油缸(R)Φ50xΦ40x1400	1	H=3600
B	253644517002	cylinderΦ50xΦ40x1525	油缸(R)Φ50xΦ40x1525	1	H=4000
B	253644517003	cylinderΦ50xΦ40x1645	油缸(R)Φ50xΦ40x1645	1	H=4350
B	253644517004	cylinderΦ50xΦ40x1695	油缸(R)Φ50xΦ40x1695	1	H=4500
B	253644517005	cylinderΦ50xΦ40x1795	油缸(R)Φ50xΦ40x1795	1	H=4800
B	253644517006	cylinderΦ50xΦ40x1870	油缸(R)Φ50xΦ40x1870	1	H=5000
B	253644517007	cylinderΦ50xΦ40x2045	油缸(R)Φ50xΦ40x2045	1	H=5500
B	253644517008	cylinderΦ50xΦ40x2245	油缸(R)Φ50xΦ40x2245	1	H=6000
B	253644517009	cylinderΦ50xΦ40x2477	油缸(R)Φ50xΦ40x2477	1	H=6500
C	255098510003	Seal kits(three stage full free lifting cylinder)	密封件修理包(三级全自由起升缸)	1	
D	255044510133	Lifting chain LH1623-59	起升链条LH1623-59	2	H=3600
D	256844014002	Lifting chain LH1623-65	起升链条LH1623-65	2	H=4000
D	255044510046	Lifting chain LH1623-69	起升链条LH1623-69	2	H=4350
D	255044510136	Lifting chain LH1623-71	起升链条LH1623-71	2	H=4500
D	255044010101	Lifting chain LH1623-75	起升链条LH1623-75	2	H=4800
D	255043510139	Lifting chain LH1623-77	起升链条LH1623-77	2	H=5000
D	255044510140	Lifting chain LH1623-85	起升链条LH1623-85	2	H=5500
D	253543510066	Lifting chain LH1623-93	起升链条LH1623-93	2	H=6000
D	255044510049	Lifting chain LH1623-103	起升链条LH1623-103	2	H=6500
1	910100300023	Bolt GB5783-M8x25-8.8	螺栓GB5783-M8x25-8.8	4	
2	910400500007	Washer GB93-10	弹簧垫圈GB93-10	4	
3	910400100007	Washer GB97.1-10-200HV	平垫圈GB97.1-10-200HV	4	

253698501038起升油缸(三级全自由门架)/ LIFTING CYLINDER (three stage full free) -25C

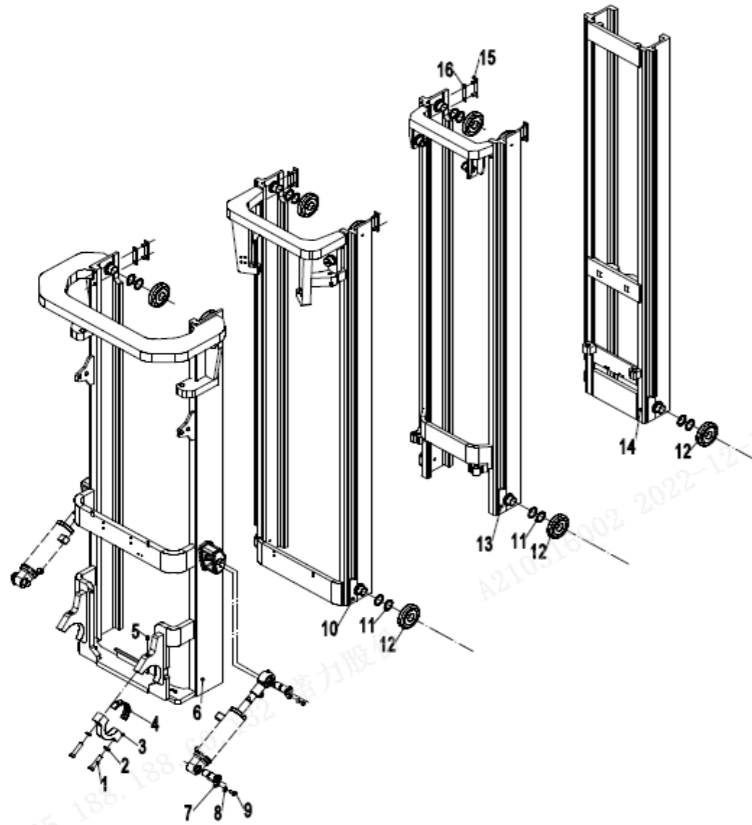
序号/NO	编码/SN	Name	名称	数量/QTY	备注/Remarks
4	255044520099	Rubber pad	橡胶垫	2	
5	255044520097	Support block	支撑块	2	
6	255044520098	Blendboard	弯板	2	
7	941100100003	Nut GB6170-M10-10	螺母GB6170-M10-10	2	
8	910300100007	Screw M10x35-8.8	螺钉M10x35-8.8	2	
9	910400100008	Washer GB97.1-12-200HV	平垫圈GB97.1-12-200HV	2	
10	910400500008	Washer GB93-12	弹簧垫圈GB93-12	2	





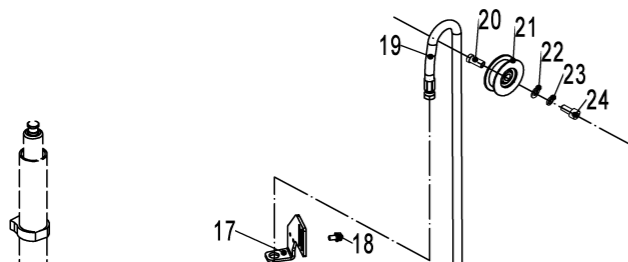
### 门架 (四级门架)/Mast (four stage full free lift)

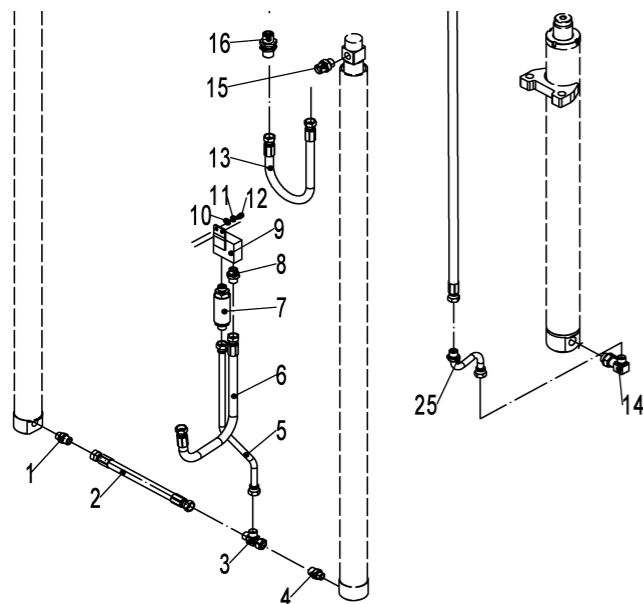
序号/NO	编码/SN	Name	名称	数量/QTY	备注/Remarks
1	910100200012	Bolt GB5785-M14x1.5x70-8.8	螺栓GB5785-M14x1.5x70-8.8	4	
2	910400500009	Washer GB93-14	弹簧垫圈GB93-14	4	
3	256844021014	Bearing cover	支座盖	2	
4	254144020063	Bearing bush	轴瓦	2	
5	911200100004	Oil Cup JB7940.1-M10x1	油杯JB7940.1-M10x1	2	
6	253645211021	Outer mast 6100	外门架焊合(6100)	1	H=6100
6	253645211022	Outer mast 6600	外门架焊合(6600)	1	H=6600
6	253645211023	Outer mast 7000	外门架焊合(7000)	1	H=7000
7	255044010057	Axle $\Phi 30 \times 82$	带耳轴 $\Phi 30 \times 82$	4	
8	910400500007	Washer GB93-10	弹簧垫圈GB93-10	4	
9	910100300035	Bolt GB5783-M10x20-8.8	螺栓GB5783-M10x20-8.8	4	
10	253645213001	Middle mast 6100	中门架焊合(1) 6100	1	H=6100
10	253645213002	Middle mast 6600	中门架焊合(1) 6600	1	H=6600
10	253645213003	Middle mast 7000	中门架焊合(1) 7000	1	H=7000
11	253644520020	Washer $\Phi 45 \times \Phi 36 \times 0.2$	垫圈 $\Phi 45 \times \Phi 36 \times 0.2$	12	
11	253644520021	Washer $\Phi 45 \times \Phi 36 \times 0.5$	垫圈 $\Phi 45 \times \Phi 36 \times 0.5$	12	
11	253644520015	Washer $\Phi 45 \times \Phi 36 \times 1$	垫圈 $\Phi 45 \times \Phi 36 \times 1$	12	
12	940200100053	Roller $\Phi 117.5 \times \Phi 40 \times 28$	主滚轮 $\Phi 117.5 \times \Phi 40 \times 28$	12	选配
12	940200100054	Roller $\Phi 117.7 \times \Phi 40 \times 28$	主滚轮 $\Phi 117.7 \times \Phi 40 \times 28$	12	
12	940200100055	Roller $\Phi 117.2 \times \Phi 40 \times 28$	主滚轮 $\Phi 117.2 \times \Phi 40 \times 28$	12	
13	253645214001	Middle mast 6100	中门架焊合(2) 6100	1	H=6100
13	253645214002	Middle mast 6600	中门架焊合(2) 6600	1	H=6600
13	253645214003	Middle mast 7000	中门架焊合(2) 7000	1	H=7000
14	253645212001	Inner mast 6100	内门架焊合 6100	1	H=6100
14	253645212002	Inner mast 6600	内门架焊合 6600	1	H=6600
14	253645212003	Inner mast 7000	内门架焊合 7000	1	H=7000
15	253644520011	Base plate	垫板	6	
16	253644520132	Adjusting pad t=0.2	调整垫片t=0.2	6	
16	253644520133	Adjusting pad t=0.5	调整垫片t=0.5	6	
16	253644520134	Adjusting pad t=0.8	调整垫片t=0.8	6	



### 门架起升管路 (四级门架)/Mast lifting pipeline (four stage full free lift)

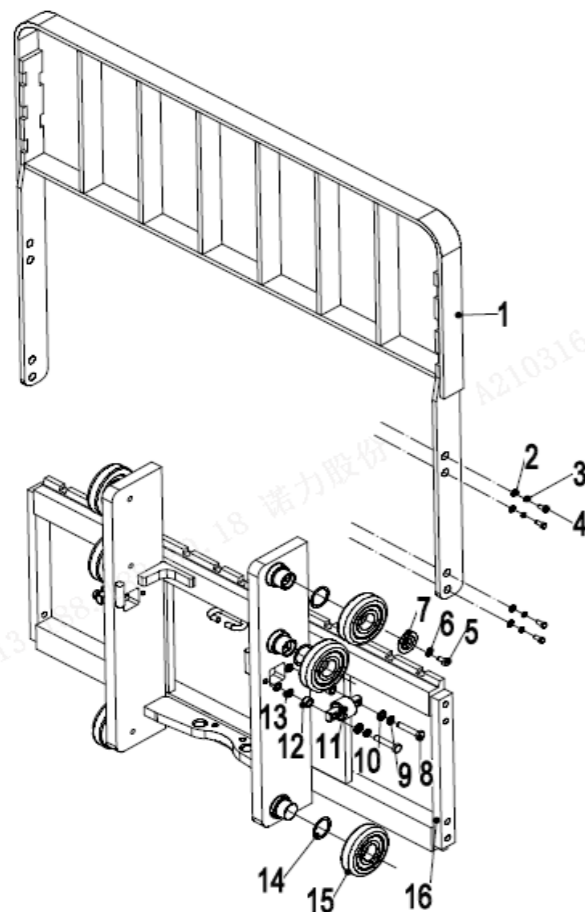
序号/NO	编码/SN	Name	名称	数量/QTY	备注/Remarks
1	251223520122	Connector 12-M20x1.5-M22x1.5-24°	接头(直)12-M20x1.5-M22x1.5-24°	1	
2	253644529001	Hydraulic hose assembly 10-L370-1SC-24°	液压管总成(直)10-L370-1SC-24°	1	
3	950400100002	Connector 12-2xM16x1.5-24°	接头(转接直)12-2xM16x1.5-24°	1	
4	256898520001	explosion-proof valve	防爆阀	1	
5	253645219004	Three through the transition steel pipe	三通过渡钢管焊合	1	
6	253644529004	Hydraulic hose assembly (135°)15-L850-2SC-24° (带钢丝)	液压管总成(135°)15-L850-2SC-24° (带钢丝)	1	
7	950700300003	Speed limit valve XSF-F16-60	限速阀XSF-F16L-60	1	
8	255023520030	Joint 12-2xM22x1.5-60°	接头(直)12-2xM22x1.5-60°	1	
9	253645219002	Three joint welding	三通焊合(四级)	1	





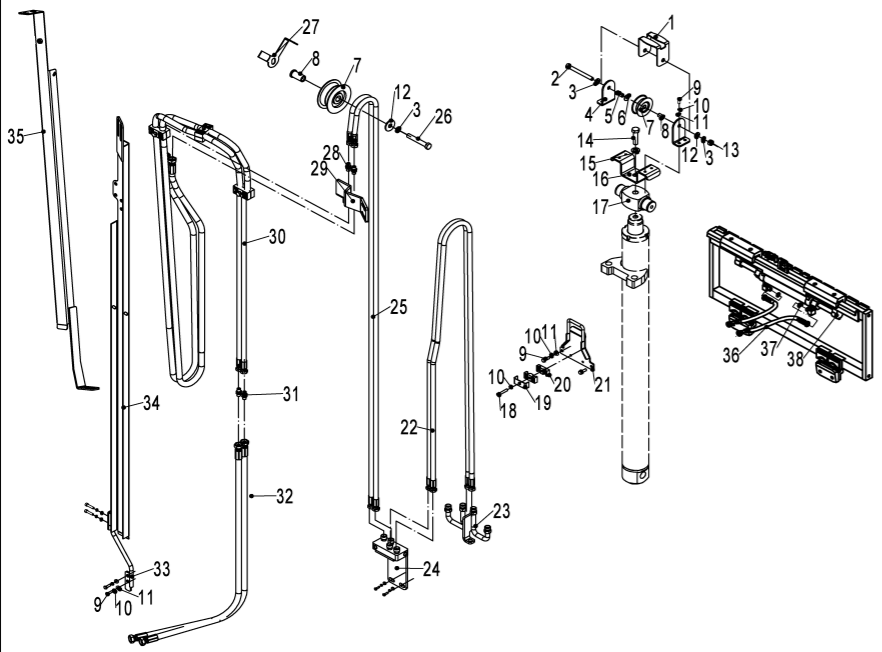
10	910400100006	Washer GB97.1-8-200HV	平垫圈GB97.1-8-200HV	2	
11	910400500006	Washer GB93-8	弹簧垫圈GB93-8	2	
12	910100100019	Bolt GB5782-M8x20-8.8	螺栓GB5782-M8x20-8.8	2	
13	253644529002	Hydraulic hose assembly (90°) 15-L550-2	液压管总成曲直(90°) 15-L550-2SC-24°	1	
14	251244529002	Joint 12-M27x2-M22x1.5-24°	接头(锁定弯) 12-M27x2-M22x1.5-24°	1	
15	251223520030	Joint 15-M22x1.5-M22x1.5-24°	接头(直) 15-M22x1.5-M22x1.5-24°	1	
16	950400500006	Joint 15-M22x1.5-M22x1.5-24°	接头(隔壁直) 15-M22x1.5-M22x1.5-24°	1	
17	253645229001	Joint over board	接头过板	1	
18	910100300023	Bolt GB5782-M8x25-8.8	螺栓GB5782-M8x25-8.8	2	
19	253644519301	Hydraulic hose assembly 15-L1920-2SC-24	液压管总成(直) 15-L1920-2SC-24°	1	H=6100
19	253645219302	Hydraulic hose assembly 15-L2180-2SC-24	液压管总成(直) 15-L2180-2SC-24°	1	H=6600
19	253645219303	Hydraulic hose assembly 15-L2500-2SC-24	液压管总成(直) 15-L2500-2SC-24°	1	H=7000
20	255044520081	Bush Φ20XΦ13x33	衬套Φ20XΦ13x33	1	
21	255044520096	Pulley Φ120x36 (Single)	滑轮Φ120x36(单槽)	1	
22	910400100008	Washer GB97.1-12-200HV	平垫圈GB97.1-12-200HV	1	
23	910400500008	Washer GB93-12	弹簧垫圈GB93-12	1	
24	910100300054	Bolt GB5783-M12x50-8.8	螺栓GB5783-M12x50-8.8	1	
25	253645219003	Welding of intermediate cylinder transi	中缸过渡钢管焊合	1	

货叉架(四级门架)/Fork carrier(four stage full free lift)

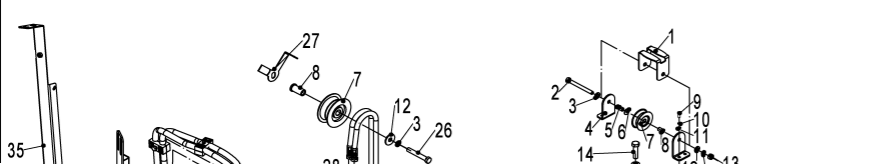


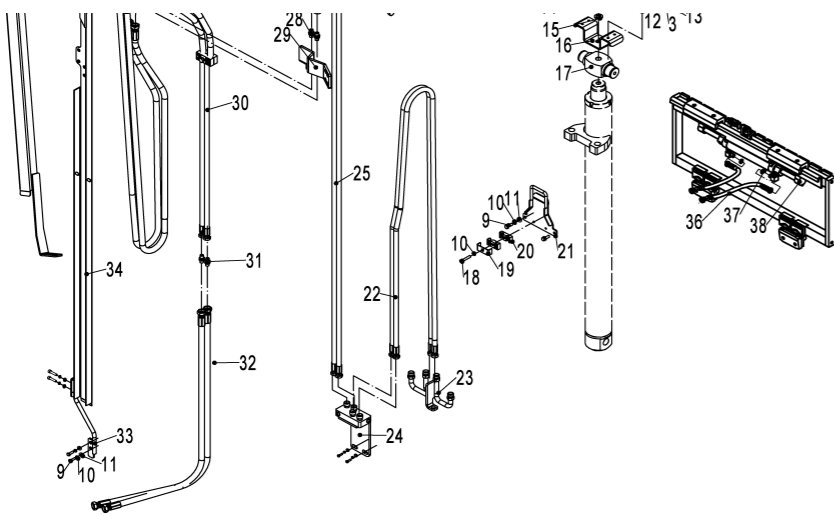
序号/NO	编码/SN	Name	名称	数量/QTY	备注/Remarks
1	255040510001	Load backrest welding(1100x1080)	挡货架焊合(1100x1080)	1	
1	255040510002	Load backrest welding(1040X1300)	挡货架焊合(1040X1300)	1	
1	255040510003	Load backrest welding(1040X1600)	挡货架焊合(1040X1600)	1	
1	251140510001	Load backrest welding(1040x1635)	挡货架焊合(1040x1635)	1	
1	252040530001	Load backrest welding(1200x1491)	挡货架焊合(1200x1491)	1	
1	255040510005	Load backrest welding1200X986	挡货架焊合1200X986	1	
1	252140510101	Load backrest welding(1040×1000)	挡货架焊合(1040×1000)	1	
2	910400100009	Washer GB97.1-14-200HV	平垫圈GB97.1-14-200HV	8	
3	910400500009	Washer GB93-14	弹簧垫圈GB93-14	8	
4	910100300062	Bolt GB5783-M14x30-8.8	螺栓GB5783-M14x30-8.8	8	
5	910100300020	Bolt GB5783-M8x16-8.8	螺栓GB5783-M8x16-8.8	2	
6	910400500006	Spring Washer GB93-8	弹簧垫圈GB93-8	2	
7	253638020301	Roller cover	滚轮压盖	2	
8	910100300041	Bolt GB5783-M10x50-8.8	螺栓GB5783-M10x50-8.8	4	
9	910400500007	Washer GB93-10	弹簧垫圈GB93-10	8	
10	910400100007	Washer GB97.1-14-200HV	平垫圈GB97.1-14-200HV	8	
11	940200200005	Side roller Φ 42 - CD = 68	侧滚轮Φ42-CD=68	2	
12	255038020008	Adjusting sleeve	调整套	4	
13	255038020009	Adjustable pad	调整垫	12	
14	253644520020	Washer Φ45xΦ36x0.2	垫圈Φ45xΦ36x0.2	6	
14	253644520021	Washer Φ45xΦ36x0.5	垫圈Φ45xΦ36x0.5	6	
14	253644520015	Washer Φ45xΦ36x1	垫圈Φ45xΦ36x1	6	
15	940200100053	Roller Φ117.5xΦ40x28	主滚轮Φ117.5xΦ40x28	12	选配
15	940200100054	Roller Φ117.7xΦ40x28	主滚轮Φ117.7xΦ40x28	12	
15	940200100055	Roller Φ117.2xΦ40x28	主滚轮Φ117.2xΦ40x28	12	
16	253638002401	Assembly drawing of fork rack welding	货叉架焊合集合图(四级全自由门架)	1	


侧移器及管路安装(四级门架)/Side shifter and pipeline installation(four stage full free lift)

	序号/NO	编码/SN	Name	名称	数量/QTY	备注/Remarks
		1	253639520904	Middle cylinder rubber tube cover	中缸胶管护罩	1
	2	910100100060	Bolt GB5782-M12X120-8.8	螺栓GB5782-M12x120-8.8	1	
	3	910400500008	Spring washers GB93-12	弹簧垫圈GB93-12	3	
	4	253630520906	Stent	支架	2	
	5	254130520016	bush Φ20x Φ13x43	衬套Φ20xΦ13x43	1	
	6	910400200005	Large washers GB96.1-12-200HV	大垫圈GB96.1-12-200HV	2	
	7	251127520001	Pulley Φ110x42(double groove)	滑轮Φ110x42(双槽)	2	
	8	255044520081	bush Φ20x Φ13x33	衬套Φ20xΦ13x33	2	
	9	910100300020	Bolt GB5783-M8x16-8.8	螺栓GB5783-M8x16-8.8	6	
	10	910400500006	Spring washers GB93-8	弹簧垫圈GB93-8	6	
	11	910400100006	Plain washers GB97.1-8-200HV	平垫圈GB97.1-8-200HV	6	
	12	910400100008	Plain washers GB97.1-12-200HV	平垫圈GB97.1-12-200HV	3	
	13	910300100008	Nuts GB6170-M12-10	螺母GB6170-M12-10	1	
	14	910100200016	Bolt GB5785-M16x1.5x70-8.8	螺栓GB5785-M16x1.5x70-8.8	1	
	15	910400500010	Spring washers GB93-16	弹簧垫圈GB93-16	1	
	16	253645220012	Middle cylinder chain baffle	中缸链条挡板	1	
	17	253645220011	Cylinder head	缸头	1	
	18	910100300025	Bolt GB5783-M8x35-8.8	螺栓GB5783-M8x35-8.8	4	
	19	255028520035	Pipe clamp mounting plate	管夹安装板	4	
	20	255028520034	Rubber tube fixing block	胶管固定块	8	
	21	253630510001	Intermediate cylinder rubber tube trans	中缸胶管过渡架	1	
	22	251328520704	Hydraulic hose assembly 10-L2220-1SC-24°	液压管总成(直)10-L2220-1SC-24°	2	
	22	251329020702	Hydraulic hose assembly 10-L2360-1SC-24°	液压管总成(直)10-L2360-1SC-24°	2	
	22	251330520702	Hydraulic hose assembly 10-L2510-1SC-24°	液压管总成(直)10-L2510-1SC-24°	2	
	23	253631101002	Single attached hose bracket (24°)	单附胶管支架(24°)	1	
	24	253631110003	Joint body	接头体	1	
	25	253631120101	Hydraulic hose assembly 10-L1850-1SC-24°	液压管总成(直)10-L1850-1SC-24°	2	
	25	253631120102	Hydraulic hose assembly 10-L1980-1SC-24°	液压管总成(直)10-L1980-1SC-24°	2	
	25	251228520702	Hydraulic hose assembly 10-L2150-1SC-24°	液压管总成(直)10-L2150-1SC-24°	2	
	26	910100100054	Bolt GB5782-M12x80-8.8	螺栓GB5782-M12x80-8.8	1	
	27	256844520021	Hose baffle	胶管挡板	1	

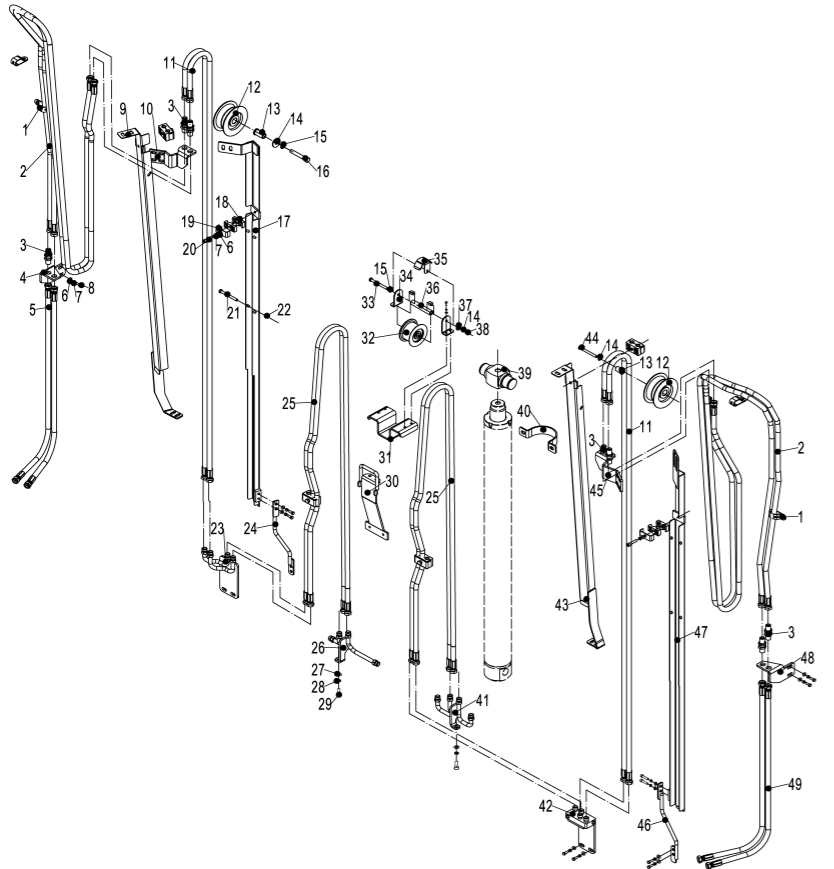
侧移器及管路安装(四级门架)/Side shifter and pipeline installation(four stage full free lift)

	序号/NO	编码/SN	Name	名称	数量/QTY	备注/Remarks
		28	950400600006	Joint 10-M16x1.5-M16x1.5-24°	接头(隔壁弯短)10-M16x1.5-M16x1.5-24°	2
	29	253631120002	Joint Transition Plate	接头过渡板	1	
	30	251230520704	Hydraulic hose assembly 10-L2610-1SC-24°	液压管总成(直)10-L2610-1SC-24°	2	
	30	253631020205	Hydraulic hose assembly 10-L2970-1SC-24°	液压管总成(直)10-L2970-1SC-24°	2	
	30	251231020706	Hydraulic hose assembly 10-L3450-1SC-24°	液压管总成(直)10-L3450-1SC-24°	2	
	31	251330510004	Hydraulic steel pipe welding (24°)	液压钢管焊合(24°)	1	
	32	253630520006	Hydraulic hose assembly 10-L1070-1SC-24°	液压管总成(直)10-L1070-1SC-24°	2	
	33	253631110001	Internal guide groove (right) connectin	内导槽(右)连接杆	1	
	34	253631110701	External guide groove welding 6100	外导槽焊合6100	1	H=6100
	34	253631110702	External guide groove welding 6600	外导槽焊合6600	1	H=6600
	34	253631110703	External guide groove welding 7000	外导槽焊合7000	1	H=7000



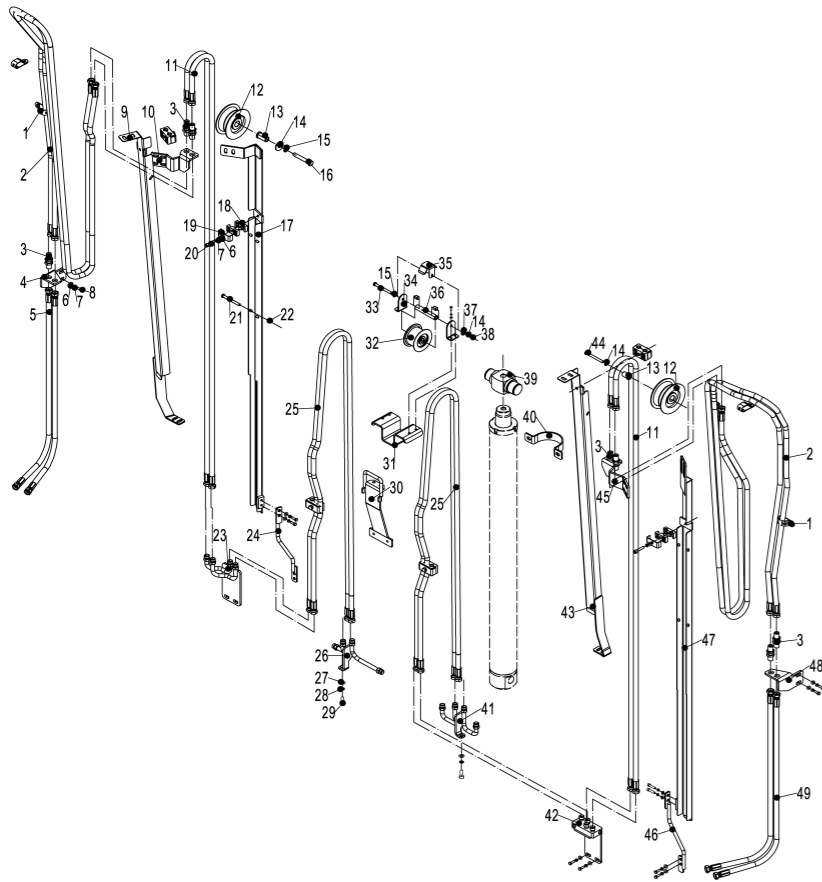
35	253631110704	Internal Guide Groove Welding 6100	内导槽焊接6100	1	H=6100
35	253631110705	Internal Guide Groove Welding 6600	内导槽焊接6600	1	H=6600
35	253631110706	Internal Guide Groove Welding 7000	内导槽焊接7000	1	H=7000
36	910400100005	Plain washers GB97.1-6-200HV	平垫圈GB97.1-6-200HV	1	
37	910400500005	Spring washers GB93-6	弹簧垫圈GB93-6	1	
38	910100100123	Bolt GB5782-M6X20-8.8	螺栓GB5782-M6x20-8.8	1	
39	253631120003	Install bent frame with single guide gr	单附导槽安装弯架	1	
40	251242520001	Hydraulic hose assembly (90° )12-L300-1	液压胶管总成(90° )12-L300-1SC-24° -0°	2	
41	910800100001	O-ring 9.5x1.8	O形圈-内9.5x1.8	4	
42	255042510004	Side shifter assembly(LH)	侧移器总成(LH)	1	
42	255042510001	Side shifter assembly(LD)	侧移器总成(LD)	1	
42	255042510002	Side shifter assembly(CASCADE)	侧移器总成(卡斯卡特)	1	

双附加管路(四级门架)/DOUBLE ADDITIONAL TUBE((four stage full free lift)



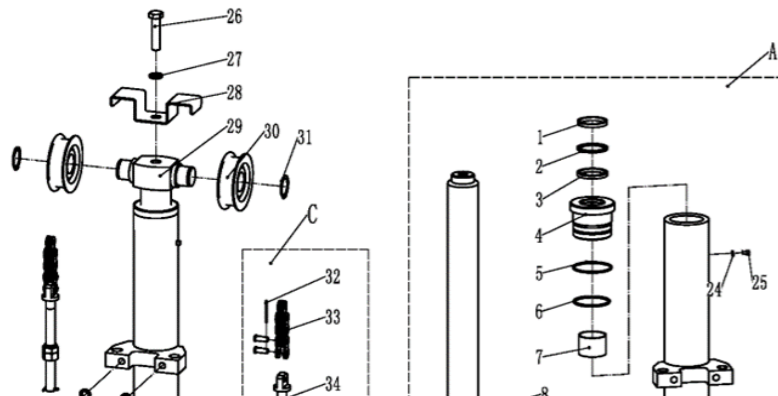
序号/NO	编码/SN	Name	名称	数量/QTY	备注/Remarks
1	951000100004	Hose Clamp 26	管夹YGE包胶26	4	
2	251230520704	Hydraulic hose assembly 10-L2610-1SC-24	液压管总成(直)10-L2610-1SC-24°	4	H=6100
2	253631020205	Hydraulic hose assembly 10-L2970-1SC-24	液压管总成(直)10-L2970-1SC-24°	4	H=6600
2	251231020706	Hydraulic hose assembly 10-L3450-1SC-24	液压管总成(直)10-L3450-1SC-24°	4	H=7000
3	950400500006	Joint 15-M22x1.5-M22x1.5-24°	接头(隔壁直)15-M22x1.5-M22x1.5-24°	8	
4	253631320005	Transitional mounting plate	过渡安装板	1	
5	253631320101	Hydraulic hose assembly 10-L1500-1SC-24	液压管总成(直)10-L1500-1SC-24°	2	
6	910400100006	Plain washers GB97.1-8-200HV	平垫圈GB97.1-8-200HV	23	
7	910400500006	Spring washers GB93-8	弹簧垫圈GB93-8	23	
8	910100300020	Bolt GB5783-M8x16-8.8	螺栓GB5783-M8x16-8.8	20	
9	253631310701	External guide groove welding 6100	外导槽焊接6100	1	H=6100
9	253631310702	External guide groove welding 6600	外导槽焊接6600	1	H=6600
9	253631310703	External guide groove welding 7000	外导槽焊接7000	1	H=7000
10	253631320004	Joint Transition Plate	接头过渡板	1	
11	253631120101	Hydraulic hose assembly 10-L1850-1SC-24	液压管总成(直)10-L1850-1SC-24°	4	H=6100
11	253631120102	Hydraulic hose assembly 10-L1980-1SC-24	液压管总成(直)10-L1980-1SC-24°	4	H=6600
11	251228520702	Hydraulic hose assembly 10-L2150-1SC-24	液压管总成(直)10-L2150-1SC-24°	4	H=7000
12	251127520001	Pulley Φ110x42(double groove)	滑轮Φ110x42(双槽)	2	
13	255044520081	bush Φ20x Φ13x33	衬套Φ20xΦ13x33	2	
14	910400200005	Large washers GB96.1-12-200HV	大垫圈GB96.1-12-200HV	6	
15	910400500008	Spring washers GB93-12	弹簧垫圈GB93-12	3	
16	910100100054	Bolt GB5782-M12x80-8.8	螺栓GB5782-M12x80-8.8	1	
17	253631310704	Internal Guide Groove Welding 6100	内导槽焊接6100	1	H=6100
17	253631310705	Internal Guide Groove Welding 6600	内导槽焊接6600	1	H=6600
17	253631310706	Internal Guide Groove Welding 7000	内导槽焊接7000	1	H=7000
18	255028520034	Rubber tube fixing block	胶管固定块	12	
19	255028520035	Pipe clamp mounting plate	管夹安装板	6	
20	910100300027	Bolt GB5783-M8x45-8.8	螺栓GB5783-M8x45-8.8	6	
21	910100300018	Bolt GB5783-M6x60-8.8	螺栓GB5783-M6x60-8.8	4	
22	910300500003	Nut GB889.1-M6-10	螺母GB889.1-M6-10	4	
23	253631310004	Hydraulic steel pipe welding (24 ° )	液压钢管焊接(四联24° )	1	

双附加管路(四级门架)/DOUBLE ADDITIONAL TUBE((four stage full free lift)



序号/NO	编码/SN	Name	名称	数量/QTY	备注/Remarks
24	253631310001	Internal guide groove (left) connecting	内导槽(左)连接杆	1	
25	251328520704	Hydraulic hose assembly 10-L2220-1SC-24	液压管总成(直)10-L2220-1SC-24°	4	H=6100
25	251329020702	Hydraulic hose assembly 10-L2360-1SC-24	液压管总成(直)10-L2360-1SC-24°	4	H=6600
25	251330520702	Hydraulic hose assembly 10-L2510-1SC-24	液压管总成(直)10-L2510-1SC-24°	4	H=7000
26	253631310002	Double attached hose bracket (24°)	双附胶管支架(24°)	1	
27	910300100006	Nut GB6170-M8-10	螺母GB6170-M8-10	2	
28	910100300025	Bolt GB5783-M8x35-8.8	螺栓GB5783-M8x35-8.8	2	
29	910100300025	Bolt GB5783-M8x35-8.8	螺栓GB5783-M8x35-8.8	2	
30	253631310003	Intermediate cylinder rubber tube trans	中缸胶管固定架	1	
31	253645220012	Middle cylinder chain baffle	中缸链条挡板	1	
32	253631020020	Pulley Φ104x76	滑轮Φ104x76(四联)	1	
33	910100100060	Bolt GB5782-M12x120-8.8	螺栓GB5782-M12x120-8.8	1	
34	253630520906	Stent	支架	2	
35	253630520904	Middle cylinder rubber tube cover	中缸胶管护罩	1	
36	253631020021	Bush Φ20xΦ13x73	衬套Φ20xΦ13x73	1	
37	910400100008	Flat Washer GB97.1-12-200HV	平垫圈GB97.1-12-200HV	2	
38	910300100008	Nut GB6170-M12-10	螺母GB6170-M12-10	1	
39	253645220011	Cylinder head	缸头	1	
40	253644520004	Embrace hoop	抱箍	1	
41	253631101002	Single attached hose bracket (24°)	单附胶管支架(24°)	1	
42	253631110003	Joint body	接头体	1	H=6100
42	253631110701	External guide groove welding 6100	外导槽焊合6100	1	H=6600
42	253631110702	External guide groove welding 6600	外导槽焊合6600	1	H=7000
43	253631110703	External guide groove welding 7000	外导槽焊合7000	1	
44	910100100059	Bolt GB5782-M12x110-8.8	螺栓GB5782-M12x110-8.8	1	
45	253631120002	Joint Transition Plate	接头过渡板	1	
46	253631110001	Internal guide groove (right) connectin	内导槽(右)连接杆	1	H=6100
46	253631110704	Internal Guide Groove Welding 6100	内导槽焊合6100	1	H=6600
46	253631110705	Internal Guide Groove Welding 6600	内导槽焊合6600	1	H=7000
47	253631110706	Internal Guide Groove Welding 7000	内导槽焊合7000	1	
48	253631120005	Transitional mounting plate	过渡安装板	1	
49	251230520002	Hydraulic hose assembly 10-1260-1SC-24°	液压管总成(直)10-L1260-1SC-24°	2	

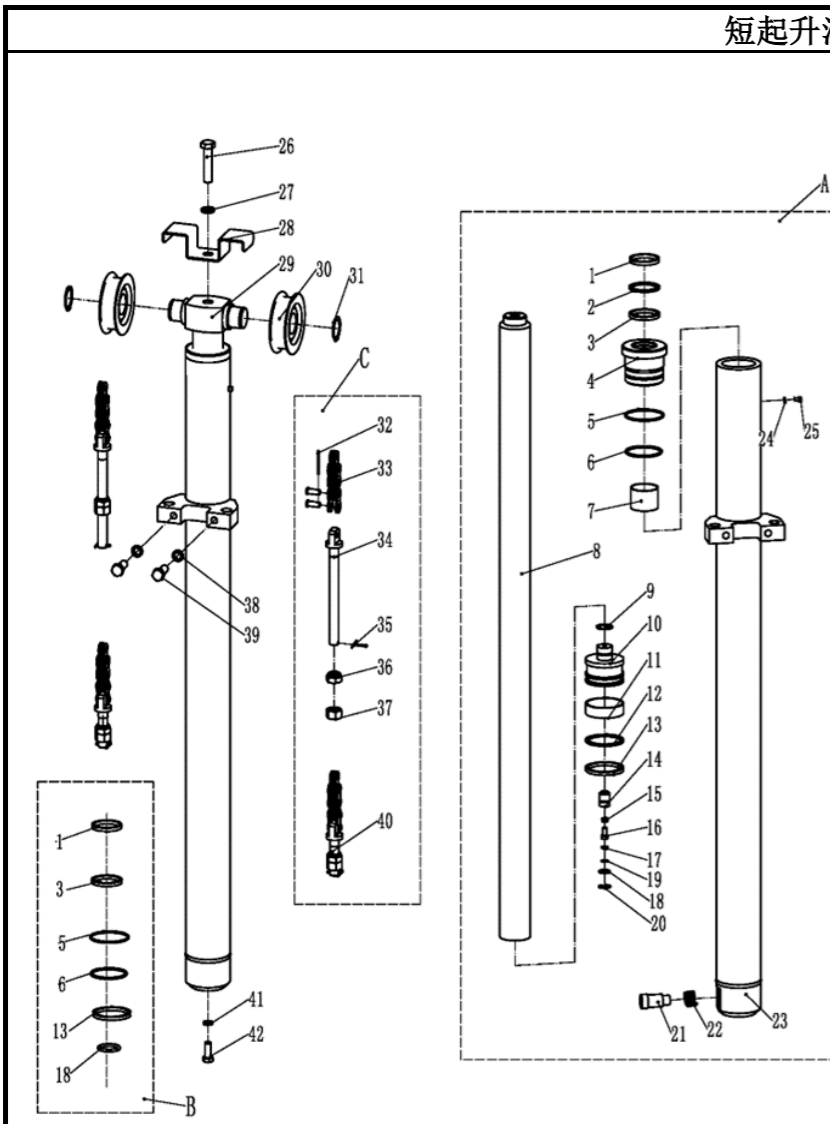
短起升油缸(四级全自由门架)/SHORT LIFTING CYLINDER (four stage full free lift)



序号/NO	编码/SN	Name	名称	数量/QTY	备注/Remarks
A	253645218001	Short lifting cylinder Φ75xΦ50x830	油缸(M) Φ75xΦ50x830	1	H=6100
A	253645218002	Short lifting cylinder Φ75xΦ50x895	油缸(M) Φ75xΦ50x895	1	H=6600
A	253645218003	Short lifting cylinder Φ75xΦ50x975	油缸(M) Φ75xΦ50x975	1	H=7000
B	255098510002	Seal kits(middle cylinder)	密封件修理包(三级全自由中缸)	1	
C	255044010101	Lifting chain LH1623×77	起升链条LH1623×77	2	H=6100
C	255043510139	Lifting chain LH1623×79	起升链条LH1623×79	2	H=6600
C	255044510137	Lifting chain LH1623×81	起升链条LH1623×81	2	H=7000
1	▲	Dust ring 50x58x7/6.5	防尘圈50x58x7/6.5	1	
2	▲	Catch 50×60×3	挡片50x60x3	1	
3	▲	Seal ring 50×60×6	密封圈50x60x6	1	
4	▲	Glide sleeve	导向套	1	
5	▲	O ring D75X3.1	O型密封圈D75X3.1	1	
6	▲	O ring D75X3.1	O型密封圈D70x3.1	1	

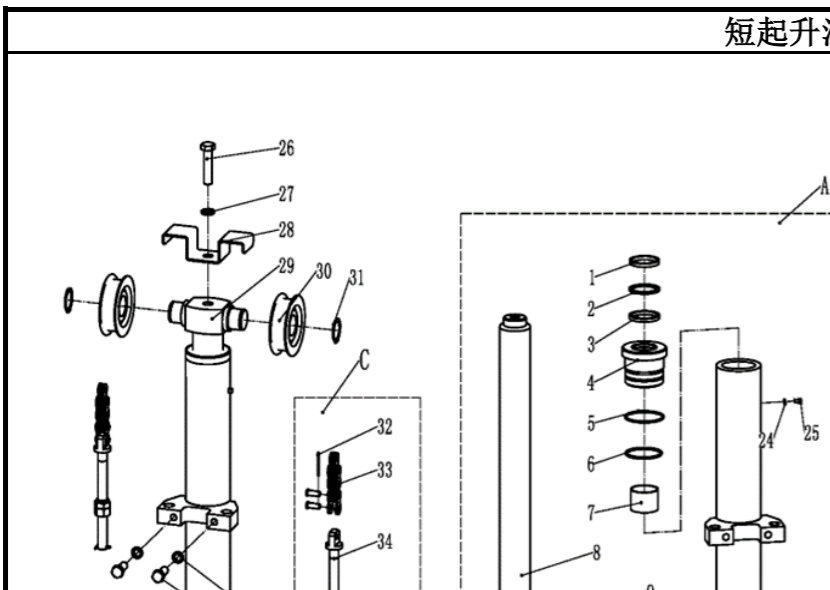


短起升油缸(四级全自由门架)/SHORT LIFTING CYLINDER (four stage full free lift)

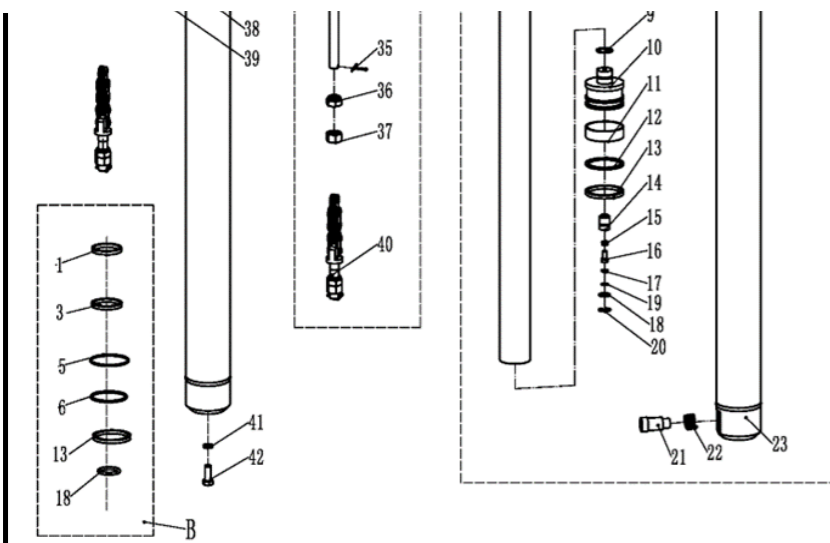


序号/NO	编码/SN	Name	名称	数量/QTY	备注/Remarks
A	253645218001	Short lifting cylinder Φ75xΦ50x830	油缸 (M) Φ75xΦ50x830	1	H=6100
A	253645218002	Short lifting cylinder Φ75xΦ50x895	油缸 (M) Φ75xΦ50x895	1	H=6600
A	253645218003	Short lifting cylinder Φ75xΦ50x975	油缸 (M) Φ75xΦ50x975	1	H=7000
B	255098510002	Seal kits(middle cylinder)	密封件修理包(三级全自由中缸)	1	
C	255044010101	Lifting chain LH1623×77	起升链条LH1623×77	2	H=6100
C	255043510139	Lifting chain LH1623×79	起升链条LH1623×79	2	H=6600
C	255044510137	Lifting chain LH1623×81	起升链条LH1623×81	2	H=7000
1	▲	Dust ring 50x58x7/6.5	防尘圈50x58x7/6.5	1	
2	▲	Catch 50×60×3	挡片50x60x3	1	
3	▲	Seal ring 50×60×6	密封圈50x60x6	1	
4	▲	Glide sleeve	导向套	1	
5	▲	O ring D75X3.1	O型密封圈D75X3.1	1	
6	▲	O ring D75X3.1	O型密封圈D70x3.1	1	
7	▲	Bearing50x55x40	钢背轴承 50x55x40	1	
8	▲	HSG Piston rod	HSG活塞杆	1	
9	▲	Circlip	钢丝挡圈	1	
10	▲	Piston assembly	活塞总成	1	
11	▲	Support ring 75x20x2.5	支承环75x20x2.5	1	
12	▲	Support ring 75x65x3	支承环75x65x3	1	
13	▲	Seal ring 75x65x6	孔用密封圈	1	
14	▲	Valve cover	阀套	1	
15	▲	Spring	弹簧	1	
16	▲	Valve plug	阀芯	1	
17	▲	Catch	挡片	1	
18	▲	O ring D20x2.4	O型密封圈	1	
19	▲	Circlip 12	孔用弹性挡圈12	1	
20	▲	Circlip 22	孔用弹性挡圈22	1	
21	▲	Slide valve	滑阀	1	
22	▲	Spring2.3x15x48.5	弹簧2.3x15x48.5	1	
23	▲	Cylinder	缸体	1	
24	▲	Spacer	垫片	1	

短起升油缸(四级全自由门架)/SHORT LIFTING CYLINDER (four stage full free lift)

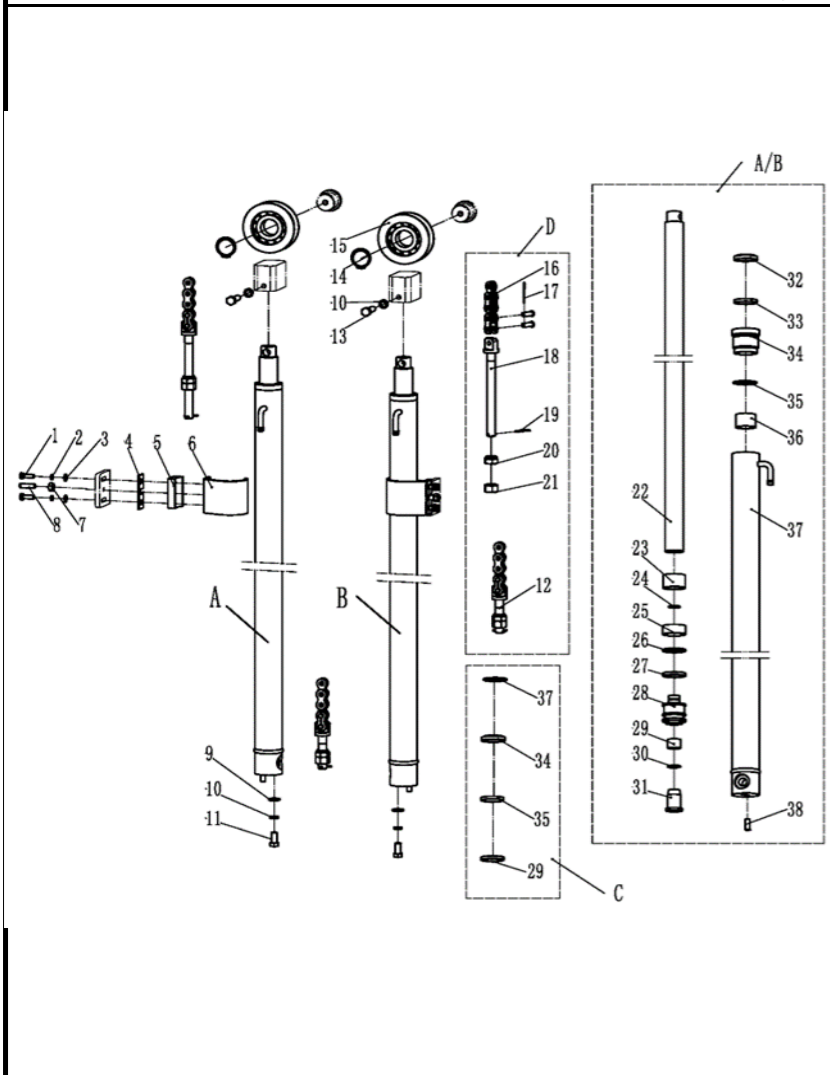


序号/NO	编码/SN	Name	名称	数量/QTY	备注/Remarks
25	▲	Screw M5x5	内六角圆柱头螺钉M5x5	1	
26	910100100071	Bolt GB5782-M16x50-8.8	螺栓GB5782-M16x50-8.8	1	
27	910400500010	Washer GB93-16	弹簧垫圈GB93-16	1	
28	253645220012	Middle cylinder chain baffle	中缸链条挡板	2	
29	253645220012	Cylinder head	缸头	1	
30	940200500001	Chain wheel bearing 780708K-φ110xφ40x27	链轮轴承780708K-φ110xφ40x27	2	
31	910401300020	Circlip GB894.1-40	轴用弹性挡圈GB894.1-40	2	
32	▲	split pin2.5x40	开口销2.5x40	2	
33	▲	LH1623 chain	LH1623板式链	2	
34	▲	Joint	长端接头	2	
35	▲	Split pin 3.2x30	开口销3.2x30	2	
36	▲	Nut M18x1.5	球面螺母M18x1.5	2	
37	▲	Nut M18x1.5	螺母M18x1.5	2	
38	910400500009	Washer GB93-14	弹簧垫圈GB93-14	2	
39	910100400022	Bolt GB5786-M14x1.5x40-8.8	螺栓GB5786-M14x1.5x40-8.8	2	



40	▲	Joint	短端接头	2	
41	910400500008	SpringWasherGB93-12	弹簧垫圈GB93-12	1	
42	910100400009	BoltGB5786-M12x1.25x25-8.8	螺栓GB5786-M12x1.25x25-8.8	1	

起升油缸(四级全自由门架)/ LIFTING CYLINDER (four stage full free lift)



序号/NO	编码/SN	Name	名称	数量/QTY	备注/Remarks
A	253645216001	cylinderΦ60xΦ50x1475	油缸(L)Φ60xΦ50x1475	1	
A	253645216002	cylinderΦ60xΦ50x1600	油缸(L)Φ60xΦ50x1600	1	
A	253645216003	cylinderΦ60xΦ50x1680	油缸(L)Φ60xΦ50x1680	1	
B	253645217001	cylinderΦ60xΦ50x1475	油缸(R)Φ60xΦ50x1475	1	
B	253645217002	cylinderΦ60xΦ50x1600	油缸(R)Φ60xΦ50x1600	1	
B	253645217003	cylinderΦ60xΦ50x1680	油缸(R)Φ60xΦ50x1680	1	
C	253698510001	Seal kits (lifting cylinder)	密封件修理包	2	
D	255044010106	Lifting chain LH1623-89	起升链条LH1623-89	2	
D	253543510066	Lifting chain LH1623-93	起升链条LH1623-93	2	
D	255044010108	Lifting chain LH1623-99	起升链条LH1623-99	2	
1	910100300023	Bolt GB5783-M8x25-8.8	螺栓GB5783-M8x25-8.8	4	
2	910400500007	Washer GB93-10	弹簧垫圈GB93-10	4	
3	910400100007	Washer GB97.1-10-200HV	平垫圈GB97.1-10-200HV	4	
4	255044520099	Rubber pad	橡胶垫	2	
5	255044520097	Support block	支撑块	2	
6	255044520098	Blendboard	弯板	2	
7	941100100003	Nut GB6170-M10-10	螺母GB6170-M10-10	2	
8	910300100007	Screw M10x35-8.8	螺钉M10x35-8.8	2	
9	910400100008	Washer GB97.1-12-200HV	平垫圈GB97.1-12-200HV	2	
10	910400500008	Washer GB93-12	弹簧垫圈GB93-12	2	
11	910100400009	Bolt GB5786-M12x1.25x25-8.8	螺栓GB5786-M12x1.25x25-8.8	2	
12	255044020156	Joint M18x1.5x102	链条螺栓M18x1.5x102	2	
13	910100300035	Bolt GB5783-M10x20-8.8	螺栓GB5783-M10x20-8.8	2	
14	910401300020	Circlip GB894.1-40	轴用弹性挡圈GB894.1-40	2	
15	940200500005	Chain wheel bearing 780708K-Φ110xΦ40x	链轮轴承780708K-Φ110xΦ40x27	2	
16	910900400014	LH1623chain	板式链GB6074-LH1623	2	
17	910600600022	Split pin 2.5x40	开口销2.5x40	2	
18	255044020157	Joint M18x1.5x217	链条螺栓M18x1.5x217	2	
19	910600600030	Split pin 3.2x30	开口销GB91-3.2x30	2	
20	255044020158	Nut M18x1.5	球面螺母M18x1.5	2	
21	910300400007	Nut M18x1.5	螺母GB6173-M18x1.5-05	2	



