

Print Number:

Print Date:

NOBLELIFT

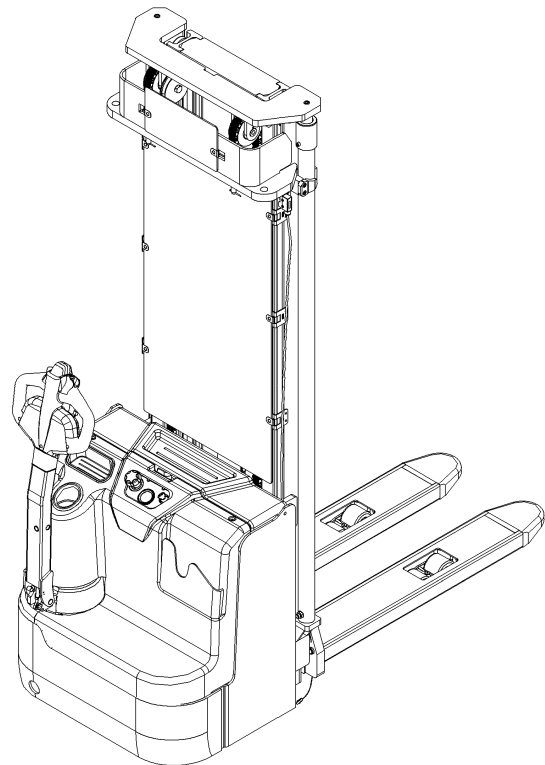


Scan QR Code for More

Electric Pallet Stacker PS16L

PARTS MANUAL

534746020101



Version V04

Truck Identification Number From:

Parts Manual

PS16L-PM04EN

Please order parts from authorized dealers of Noblelift Intelligent Equipment Co., LTD.

In order to avoid wrong delivery, all the orders for spare parts should specify the following items:

- Truck model, identification number and manufacture year.
- Orders for spare parts of mast, hydraulic transmission unit, steering axle, motor, etc. shall indicate the manufacture number of these parts.
- Codes for Noblelift spare parts are shown in the table of parts manual. Please also pay attention to the description of supply status, order quantity, etc. (check the number listed in "Mark" column of the parts manual).

"Mark" Column:

The unmarked indicates the parts are in short supply cycle.

Number 1: supply as package. Indicating these that parts are small parts and seal parts, which are supplied in package unit and in short supply cycle.

Number 2: supply with constraints. Indicating that these spare parts are not in stock and will be prepared for production after receiving the order from customers, which are in long supply cycle.

Number 3: phasing-out supply. Indicating that these parts will be replaced by new parts due to technical improvements and the current stock will not be available when these parts run out. Please check the description of technical improvements notice.

Number 4: supply as assembly. Indicating that these parts are assembly parts defined by manufacture process, which cannot be supplied as a single part.

Number 5: check other tables.

This parts manual is the property of Noblelift and can be shared under the confidential agreement only, Noblelift has the right to claim for compensation of any unauthorized use. Copy without permission is not allowed. Figures in the manual are not limited by the original design. Noblelift Intelligent Equipment Co., LTD reserves the right to improve the products for continuous technology progress.

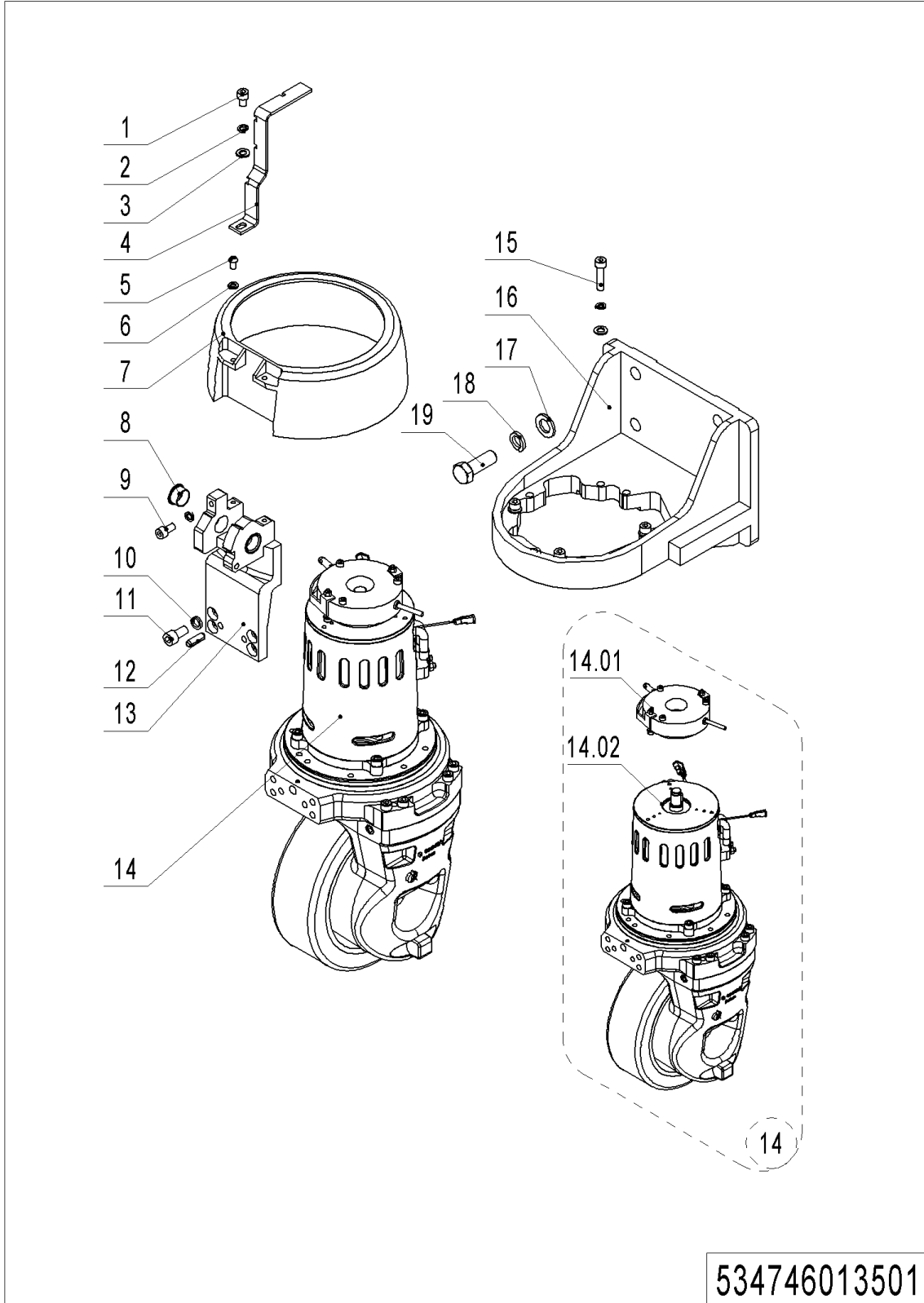
Table of Contents

Chapter 1: Drive System.....	1
01 Drive Unit (534746013501).....	1
02 Drive Unit 1.3KW(534746013502).....	3
Chapter 2: Hydraulic System.....	5
01 Hydraulic Pipeline (534746024001).....	5
02 Pump Unit (HPI,3.2KW)((534746023501).....	7
03 Pump Unit (VIBO,3.2KW)(534746023502).....	9
Chapter 3: Truck Frame	11
01 Chassis (534746021501).....	11
02 Chassis (Sideways Exchange) (534746021502)	13
02 Chassis (Sideways Exchange) (534746021502) Continuation	15
03 Fork Carriage (534746038001).....	17
Chapter 4: Mast System.....	19
01 Two-stage Mast Standard Lift (534746044002)	19
01 Two-stage Mast Standard Lift (534746044002) Continuation.....	21
02 Two-stage mast full free lift (534746043502).....	23
02 Two-stage Mast Full Free Lift (534746043502) Continuation 1	25
02 Two-stage Mast Full Free Lift (534746043502) Continuation 2	27
03 Triple Mast Standard Lift (534746045002)	29
03 Triple Mast Standard Lift (534746045002) Continuation.....	31
04 Triple Mast Full Free Lift (534746044502).....	33
04 Triple Mast Full Free Lift (534746044502) Continuation 1	35
04 Triple Mast Full Free Lift (534746044502) Continuation 2	37
04 Triple Mast Full Free Lift (534746044502) Continuation 3	39
04 Triple Mast Full Free Lift (534746044502) Continuation 4	41
Chapter 5: Steering System, Braking System, Wheels	43
01 Tiller Unit (504446011001)	43
02 Control Handle (535946011002)	45

02 Control Handle(EN1175:2020) (566546010002)	47
03 Load Wheel (532946017001)	49
04 Caster (534746016501).....	51
Chapter 6: Electrical Parts	53
01 Display Assembly (534746010001).....	53
02 Display Assembly(EN1175:2020) (534746010001).....	55
03 Electronic Components (534446033001)	57
04 Electronic Components(EN1175:2020) (534746033002).....	59
05 Electric control assembly (534746033003) (EN1175:2020).....	61
06 Charger (534746036501).....	63
07 Charger (Lithium battery) (535946036502).....	65
08 Traction Battery (534746037001).....	67
09 Traction Battery (Lithium battery) (535946037002)	69
Chapter 7: Special Parts	71
01 Load Backrest (532646040501).....	71
Chapter 8: Others	73
01 Label and Decal (EU) (534746047001).....	73
02 Label and Decal (US) (534746047002).....	75
Appendix.....	77
01 Electrical Circuit Diagram (534746045501).....	77
02 Electrical Circuit Diagram (lithium battery) (534746045501).....	78
03 Electrical Circuit Diagram(EN1175:2020) (534746045503).....	79
04 Electrical Circuit Diagram (lithium battery)	80
(EN1175:2020)(534746045504).....	80
05 Hydraulic Circuit Diagram (534446045502).....	81
06 Consumable Parts List	82

Chapter 1: Drive System

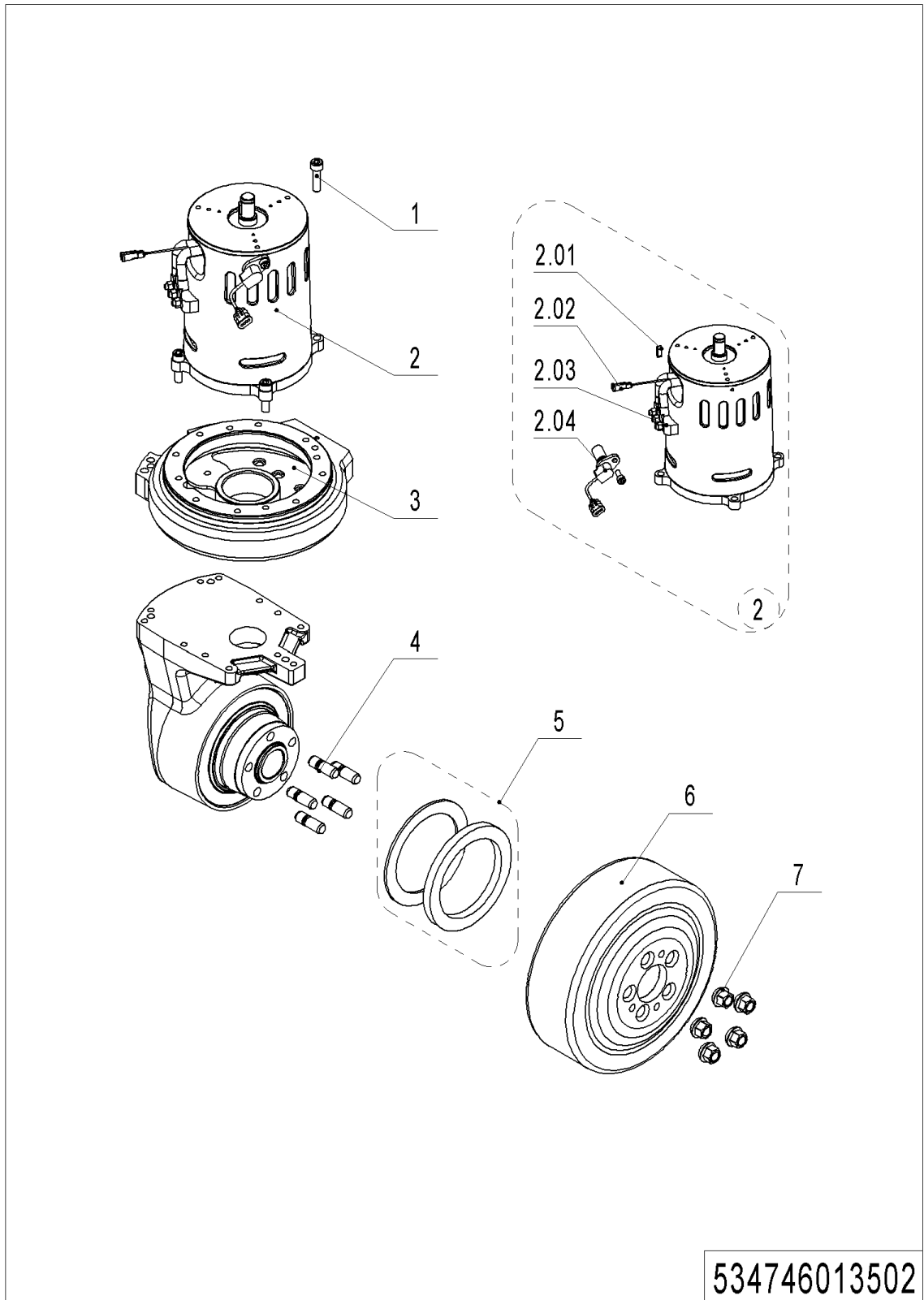
01 Drive Unit (534746013501)



1= Supply as package. 2= Supply with constraints. 3= Phasing-out supply. 4= Supply as assembly. 5= Check other tables.

01 Drive Unit (534746013501)

No.	Item Code	Mark	Item Description	Qty.	Substitute	Note
1	910200200053	1	Screw	1		
2	910400500006	1	Spring Washer	5		
3	910400100006	1	Flat Washer	5		
4	534713520002		Fixing Mount	1		
5	910200300017	1	Screw	2		
6	910400100005	1	Flat Washer	2		
7	534713520003		Protective Cover	1		
8	940500200005		Bushing	2		
9	910200200055	1	Screw	1		
10	910400500007	1	Spring Washer	4		
11	910200200075	1	Screw	4		
12	910600400044	1	Spring Pin	2		
13	534713520001		Bracket	1		
14	534798510010		Drive Unit Assembly	1		
14.01	940700100001		Brake	1		
14.02	940900400002	5	Drive Unit	1		See 534746013502
15	910200200060	1	Screw	4		
16	534713520000		Wheel Mount	1		
17	910400100010	1	Flat Washer	4		
18	910400500010	1	Spring Washer	4		
19	910100300071	1	Bolt	4		

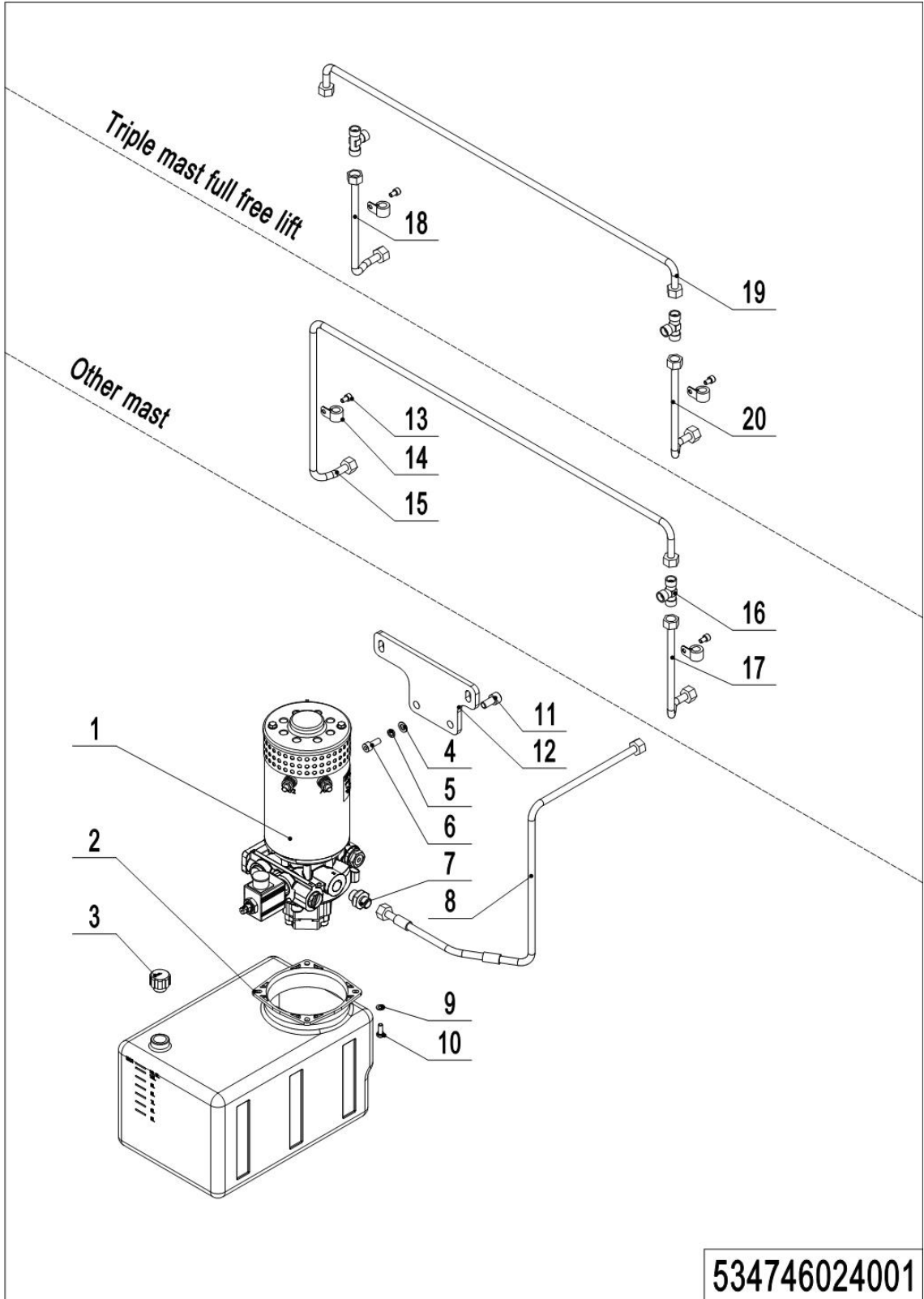
02 Drive Unit 1.3KW(534746013502)

02 Drive Unit 1.3KW(534746013502)

No.	Item Code	Mark	Item Description	Qty.	Substitute	Note
1	504498520016	1	Screw	4		
2	504498510005	2	Motor	1		
2.01	504498520011	2	Feather Key	1		
2.02	504498520012	2	Sensor	1		
2.03	504498520013	2	Wiring Board	1		
2.04	504498520010	2	Sensor	1		
3	504498510002	2	Rotary Table Kit	1		
4	504498520005	2	Bolt	5		
5	504498510003	2	Seal Kit	1		
6	940300400005		WheelΦ230x70	1		
7	504498520003	1	Nut	5		

Chapter 2: Hydraulic System

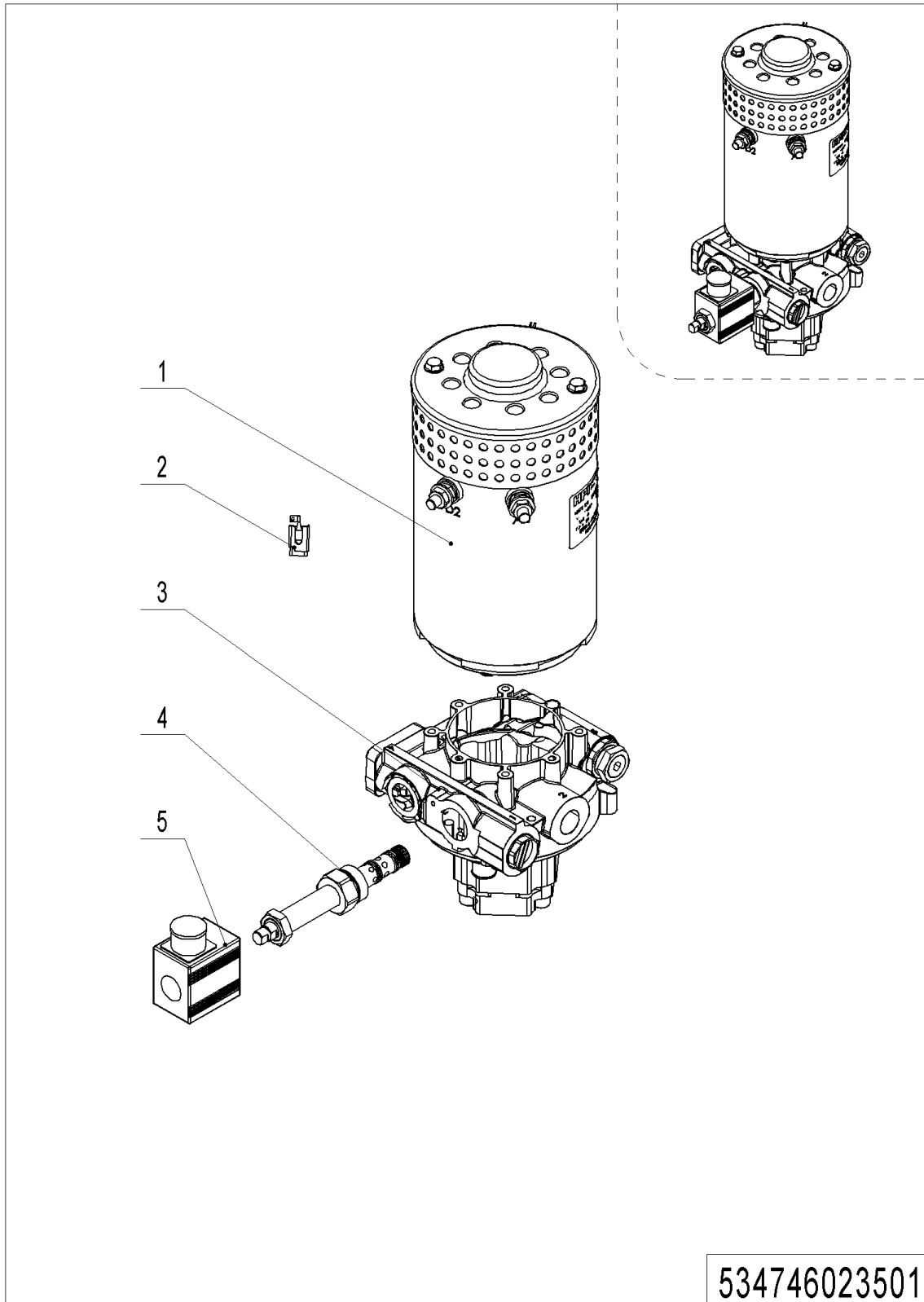
01 Hydraulic Pipeline (534746024001)



1= Supply as package. 2= Supply with constraints. 3= Phasing-out supply. 4= Supply as assembly. 5= Check other tables.

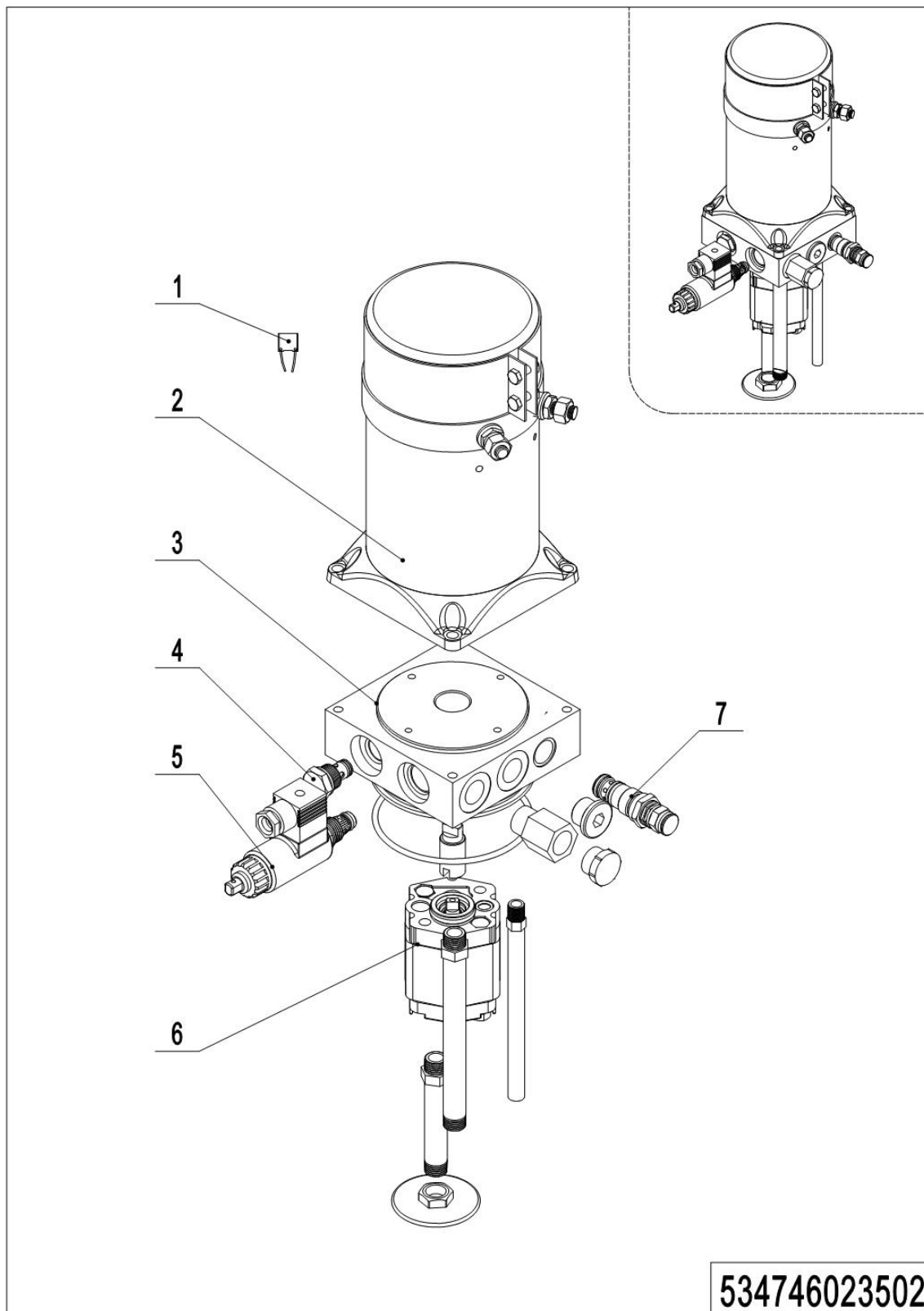
01 Hydraulic Pipeline (534746024001)

No.	Item Code	Mark	Item Description	Qty.	Substitute	Note
1	950900100015	5	Pump Unit	1		See 534746023501
1	950900100098	5	Pump Unit	1		See 534746023502
2	534719020002		Tank	1		
3	951100200004		Screw Plug	1		
4	910400100006	1	Flat Washer	2		
5	910400500006	1	Spring Washer	2		
6	910200200057	1	Screw	2		
7	950400300005		Joint	1		
8	534724010001		Hose	1		
9	910400100005	1	Flat Washer	4		
10	910100300010	1	Bolt	4		
11	910200200075	1	Screw	2		
12	534719020001		Mounting Plate	1		
13	910200200032	1	Screw	2		
14	951000100001		Hose Clamp	2		
15	534724010008		Steel Tube	1		DX
15	534724010009		Steel Tube	1		TX
16	950400700002		Joint	1		
16	950400700002		Joint	2		
17	534724010007		Steel Tube	1		DX
17	534724010006		Steel Tube	1		TX
18	534724010005		Steel Tube	1		
19	534724010000		Steel Tube	1		
20	534724010006		Steel Tube	1		

02 Pump Unit (HPI,3.2KW)((534746023501)

02 Pump Unit (HPI,3.2KW) (534746023501)

No.	Item Code	Mark	Item Description	Qty.	Substitute	Note
--	950900100015		Pump Unit	1		HPI,3.2KW
1	534798510006	2	Motor	1		
2	534798520026	2	Carbon Brush	1		
3	534798510007	2	Valve Block	1		
4	534798520024	2	Magnetic Valve	1		Provide with coil
5	534798520025	2	Coil	1		Provide with valve

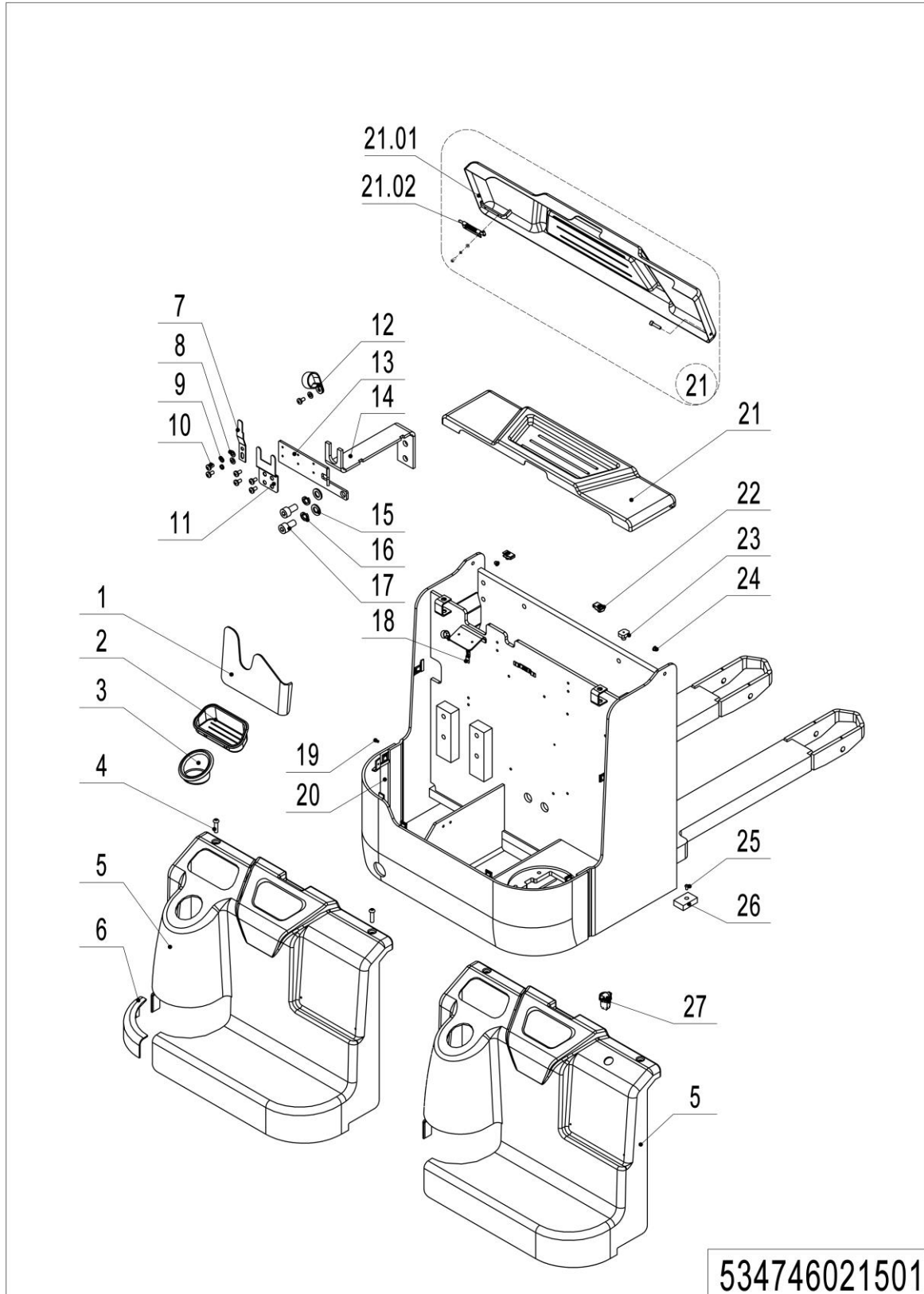
03 Pump Unit (VIBO,3.2KW)(534746023502)

03 Pump Unit (VIBO,3.2KW) (534746023502)

No.	Item Code	Mark	Item Description	Qty.	Substitute	Note
--	950900100098		Pump Unit	1		VIBO,3.2KW
1	535998510013	2	Carbon Brush	1		
2	534798510012	2	Motor	1		
3	534798510013	2	Valve	1		
4	532098510003	2	Check Valve	1		
5	534798510014	2	Magnetic Valve	1		
6	534798510015	2	Gear Pump	1		
7	402698520018	2	Overflow Valve	1		

Chapter 3: Truck Frame

01 Chassis (534746021501)

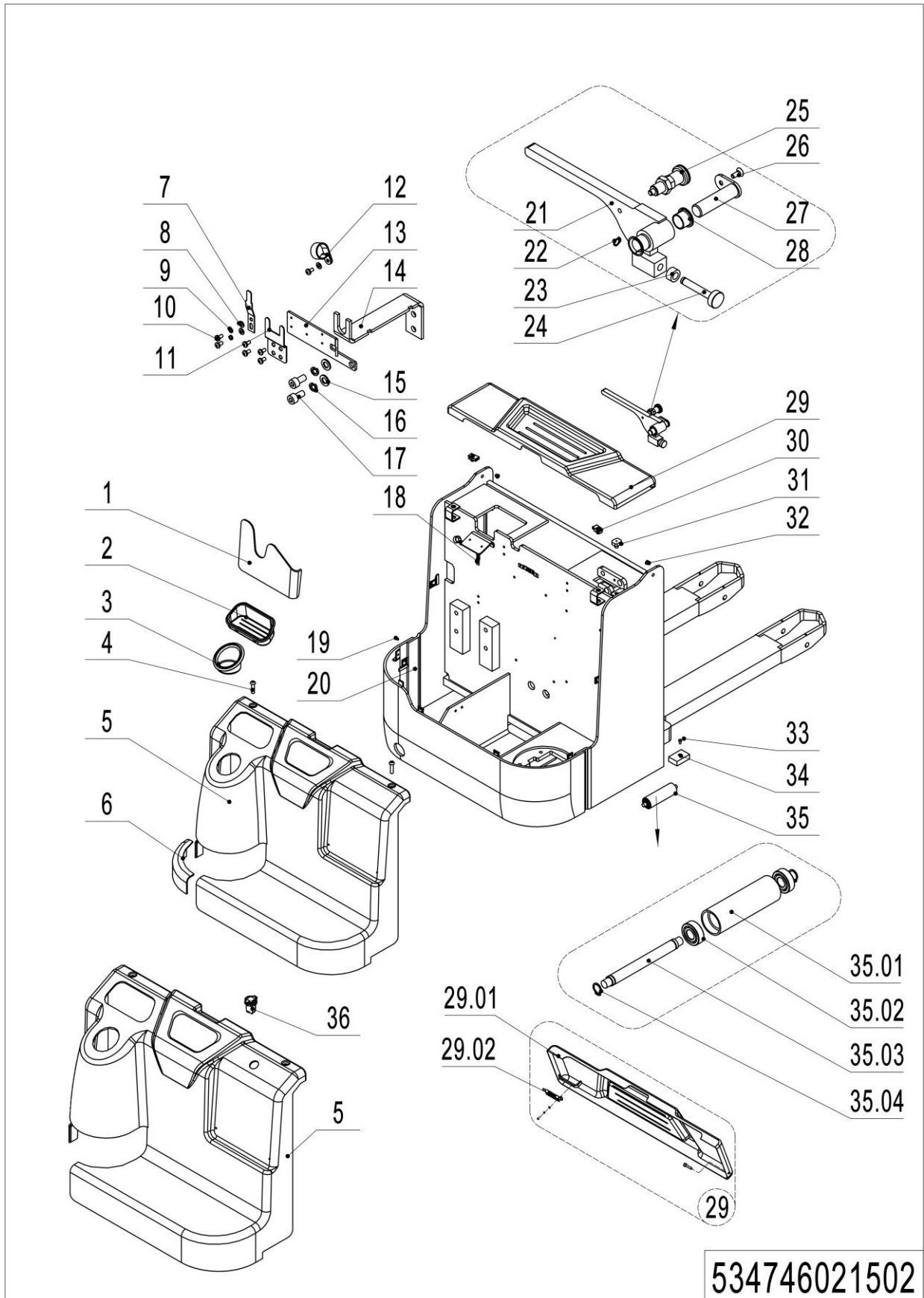


1= Supply as package. 2= Supply with constraints. 3= Phasing-out supply. 4= Supply as assembly. 5= Check other tables.

01 Chassis (534746021501)

No.	Item Code	Mark	Item Description	Qty.	Substitute	Note
1	534721520022		File Box	1		
2	534721520021		Container	1		
3	534721520020		Cup Holder	1		
4	941100100002	1	Screw	2		
5	534721520018		Protective Cover	1		
5	535021520022		Protective Cover	1		Only for lithium battery
6	534721520019		Protective Cover	1		
7	921300300010		Connector Holder	1		
8	910400100003	1	Flat Washer	5		
9	910400500003	1	Spring Washer	4		
10	910200500034	1	Screw	9		
11	921300300015		Holder	1		
12	921300200004		Cable Clamp	1		
13	921300300012		Holder	1		
14	534721520025		Fixing Mount	1		
15	910400100006	1	Flat Washer	2		
16	910400500006	1	Spring Washer	2		
17	910200200055	1	Screw	2		
18	921300300005		Holder	3		
19	910200800011	1	Screw	2		
20	534721510000	2	Chassis(570x1150)	1		
20	534721510001	2	Chassis(685x1150)	1		
21	534798501011		Cell Cover Assembly	1		
21.01	534721010000		Cell Cover	1		
21.02	940800900001		Lock Pin	1		
22	940400400003		Cage Nut	2		
23	505938520016		Crash Pad	1		
24	534721520023		Sleeve	2		
25	910200300017	1	Screw	2		
26	534721520024		Crash Pad	2		
27	921900100006		USB interface	1		Only for lithium battery

02 Chassis (Sideways Exchange) (534746021502)



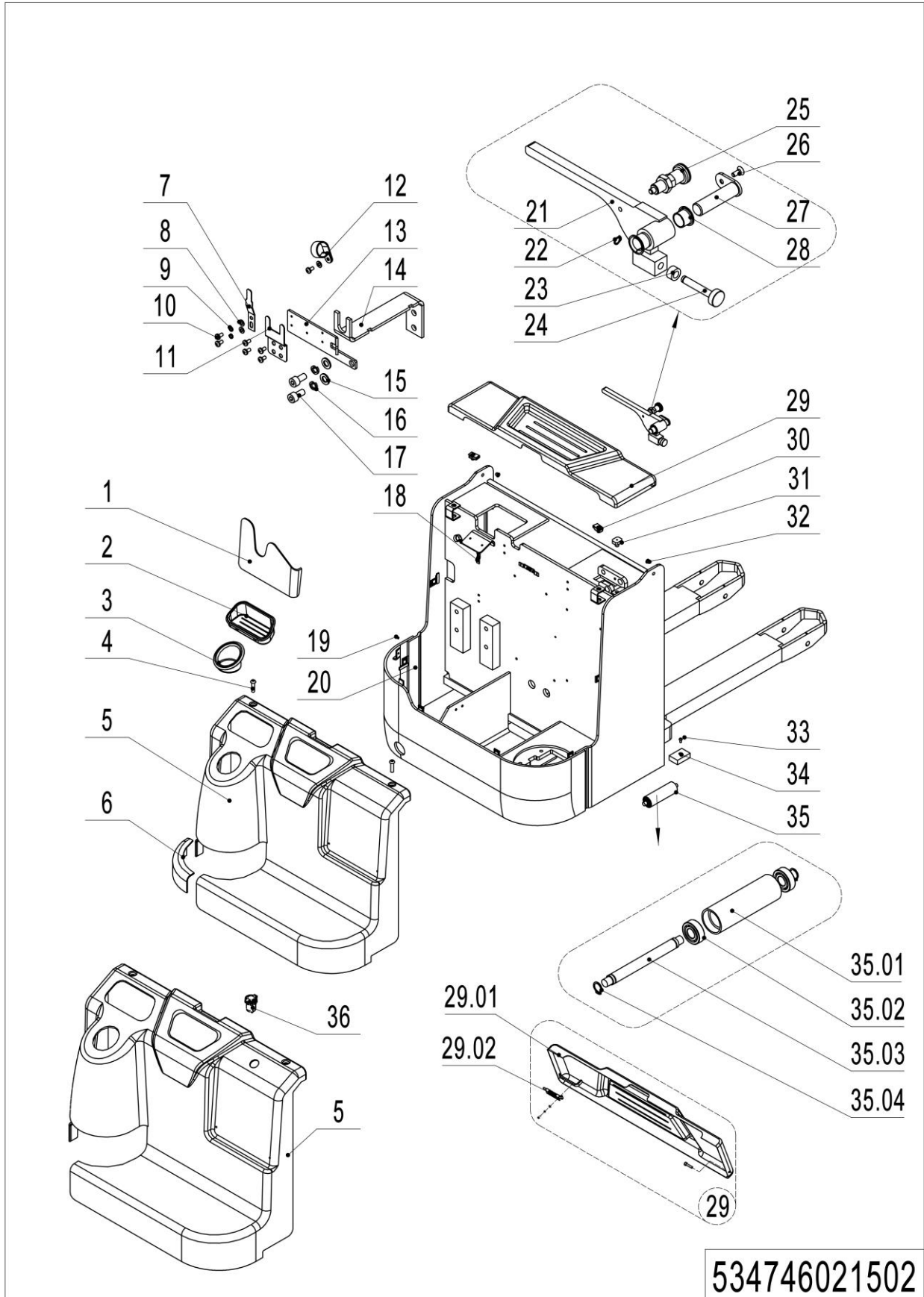
534746021502

1= Supply as package. 2= Supply with constraints. 3= Phasing-out supply. 4= Supply as assembly. 5= Check other tables.

02 Chassis (Sideways Exchange) (534746021502)

No.	Item Code	Mark	Item Description	Qty.	Substitute	Note
1	534721520022		File Box	1		
2	534721520021		Container	1		
3	534721520020		Cup Holder	1		
4	941100100002	1	Screw	2		
5	534721520018		Protective Cover	1		
5	535021520022		Protective Cover	1		Only for lithium battery
6	534721520019		Protective Cover	1		
7	921300300010		Connector Holder	1		
8	910400100003	1	Flat Washer	5		
9	910400500003	1	Spring Washer	4		
10	910200500034	1	Screw	9		
11	921300300015		Holder	1		
12	921300200004		Cable Clamp	1		
13	921300300012		Holder	1		
14	534721520025		Fixing Mount	1		
15	910400100006	1	Flat Washer	2		
16	910400500006	1	Spring Washer	2		
17	910200200055	1	Screw	2		
18	921300300005		Holder	3		
19	910200800011	1	Screw	2		
20	534721510002	2	Chassis(570x1150)	1		
20	534721510004		Chassis(685x1150)	1		
21	562038510008		Baffle	1		
22	910401300002	1	Circlip	1		
23	535921520038	1	Spacer Bush	1		
24	535921520037		Pin	1		
25	940800900002		Indexing Plunger	1		
26	910200400017	1	Screw	1		
27	535921510004		Pin	1		
28	940500200008		Bushing	2		

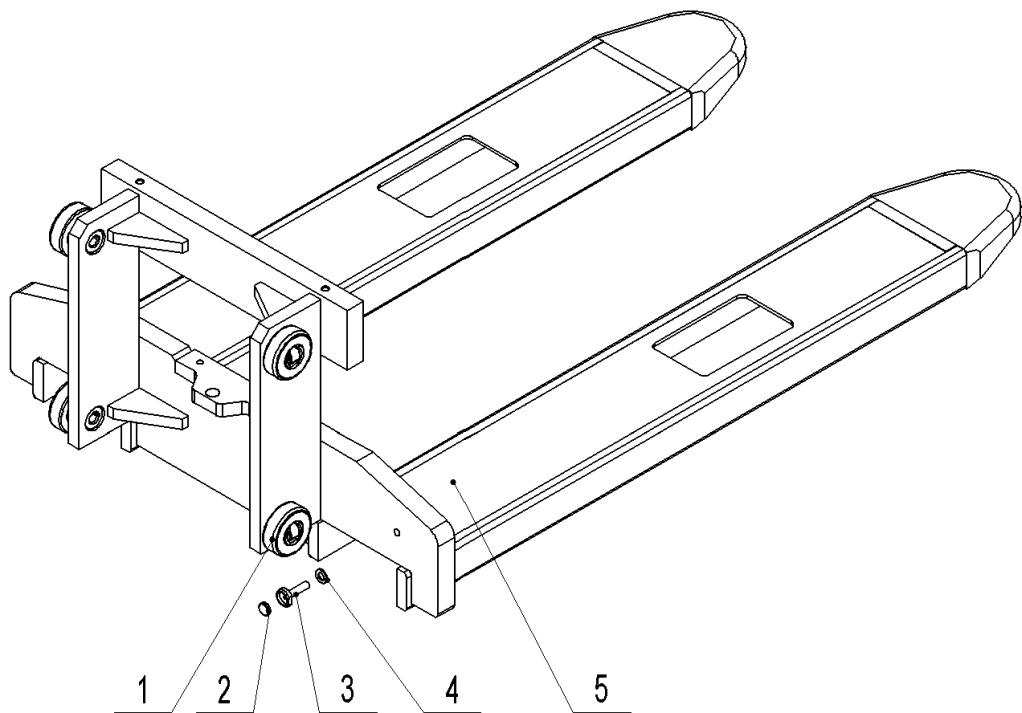
02 Chassis (Sideways Exchange) (534746021502) Continuation



1= Supply as package. 2= Supply with constraints. 3= Phasing-out supply. 4= Supply as assembly. 5= Check other tables.

02 Chassis (Sideways Exchange) (534746021502) Continuation

No.	Item Code	Mark	Item Description	Qty.	Substitute	Note
29	534798501011		Cell Cover Assembly	1		
29.01	534721010000		Cell Cover	1		
29.02	940800900001		Lock Pin	1		
30	940400400003		Cage Nut	2		
31	505938520016		Crash Pad	2		
32	534721520023		Sleeve	2		
33	910200300017	1	Screw	2		
34	534721520024		Crash Pad	2		
35	534721510003		Roller	6		
35.01	534721520028		Roller	6		
35.02	910700200017		Bearing	12		
35.03	534721520029		Axle	6		
35.04	910401300006	1	Circlip	12		
36	921900100006		USB interface	1		Only for lithium battery

03 Fork Carriage (534746038001)

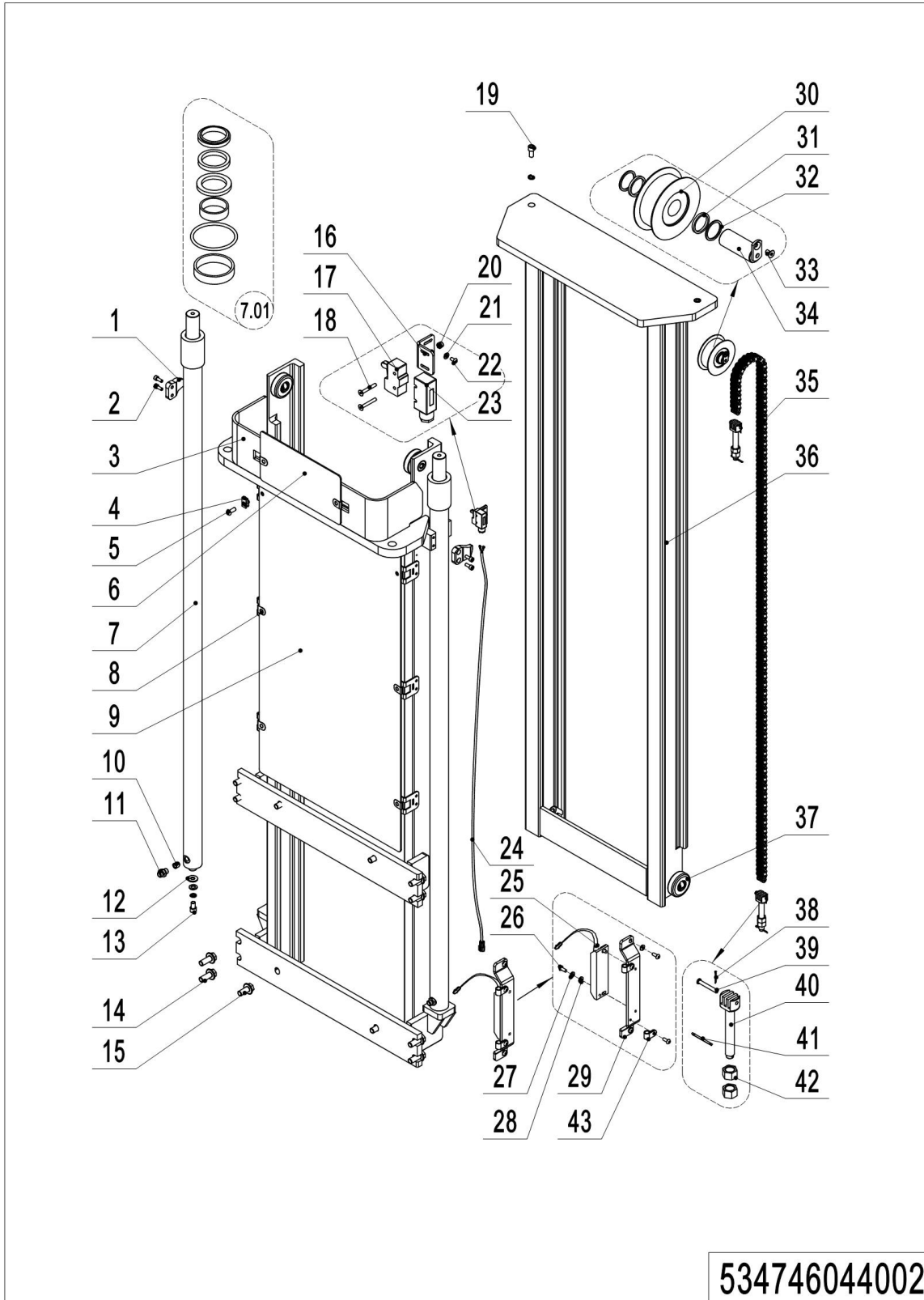
534746038001

03 Fork Carriage (534746038001)

No.	Item Code	Mark	Item Description	Qty.	Substitute	Note
1	940200300004		Compound Roller	4		
2	940600100001		Magnetic Steel	1		
3	940600200001		Mounting Base	1		
4	910400100007	1	Flat Washer	1		
5	534738010000	2	Fork(570x1150)	1		DX
5	534738010001	2	Fork(685x1150)	1		DX
5	534738010002	2	Fork(570x1150)	1		DX+FFL
5	534738010003	2	Fork(685x1150)	1		DX+FFL
5	534738010004	2	Fork(570x1150)	1		TX
5	534738010005	2	Fork(685x1150)	1		TX
5	534738010006	2	Fork(570x1150)	1		TX+FFL
5	534738010007	2	Fork(685x1150)	1		TX+FFL

Chapter 4: Mast System

01 Two-stage Mast Standard Lift (534746044002)



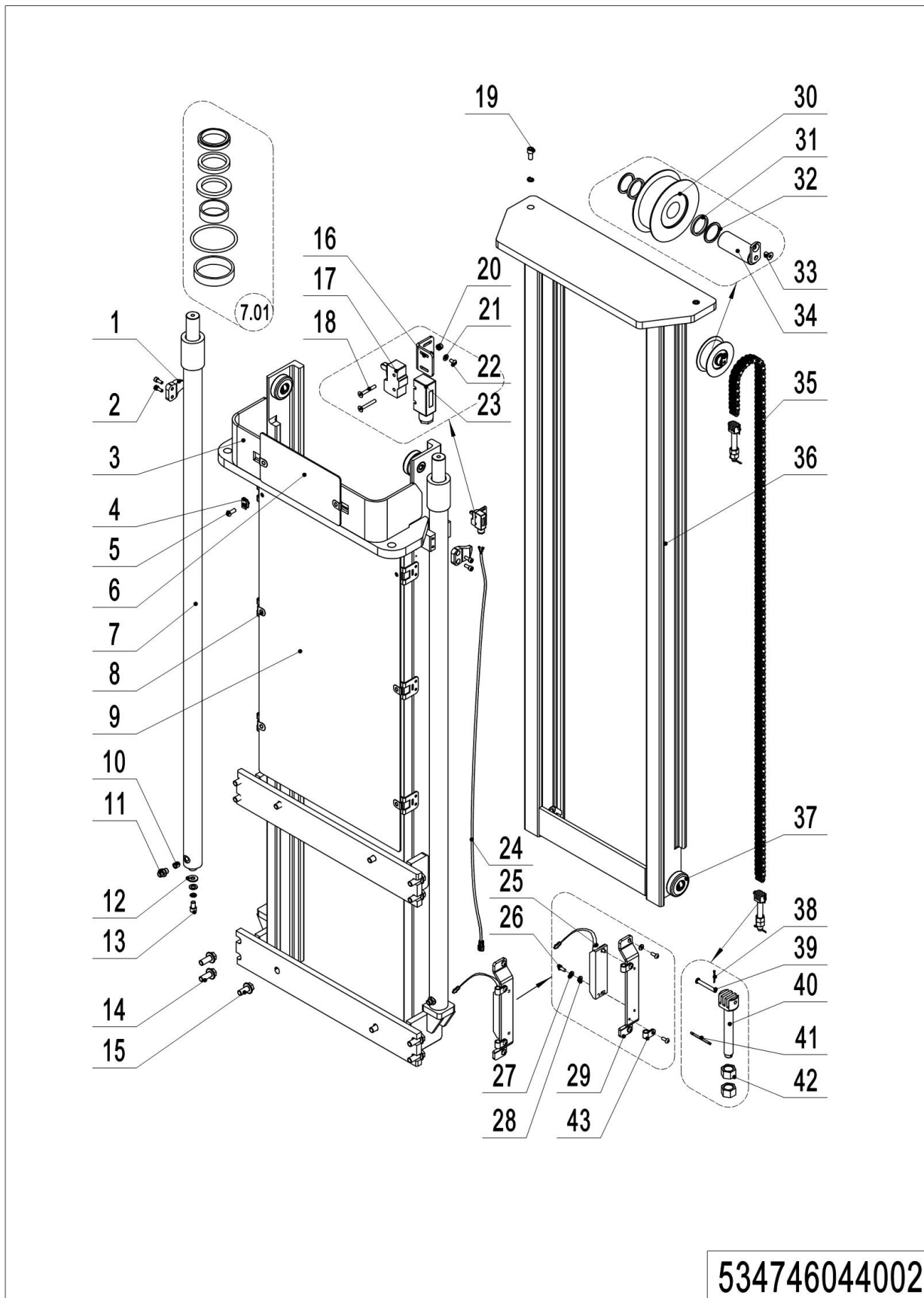
534746044002

1= Supply as package. 2= Supply with constraints. 3= Phasing-out supply. 4= Supply as assembly. 5= Check other tables.

01 Two-stage Mast Standard Lift (534746044002)

No.	Item Code	Mark	Item Description	Qty.	Substitute	Note
1	275044020076		Fixing Plate	2		
2	910200200057	1	Screw	4		
3	534744010013	2	Outer Mast(2900)	1		
3	534744010012	2	Outer Mast(3200)	1		
3	534744010011	2	Outer Mast(3600)	1		
4	940400400003		Cage Nut	2		
5	941100100005		Screw	2		
6	534744520037		Guard Plate	1		
7	534744010008		Cylinder	2		2900
7	534744010007		Cylinder	2		3200
7	534744010006		Cylinder	2		3600
7.01	534798510005		Seal Kit	2		
8	940400300001		Spring Buckle	4		
8	940400300001		Spring Buckle	6		
9	534744020011		Guard Plate	1		2900
9	534744520038		Guard Plate	1		3200
9	534744020006		Guard Plate	1		3600
10	950600300001		Safety Valve	2		
11	950400400003		Joint	2		
12	534744520015		Subplate	2		
13	910200200096	1	Screw	2		
14	910100800006	1	Bolt	8		
15	910100800005	1	Bolt	4		
16	534744520036		Fixing Plate	1		
17	920200300001		Microswitch	1		
18	910200400007	1	Screw	2		
19	910200200097	1	Screw	2		
20	910300500001	1	Nut	2		
21	910400100003	1	Flat Washer	1		
22	910200300005	1	Screw	2		

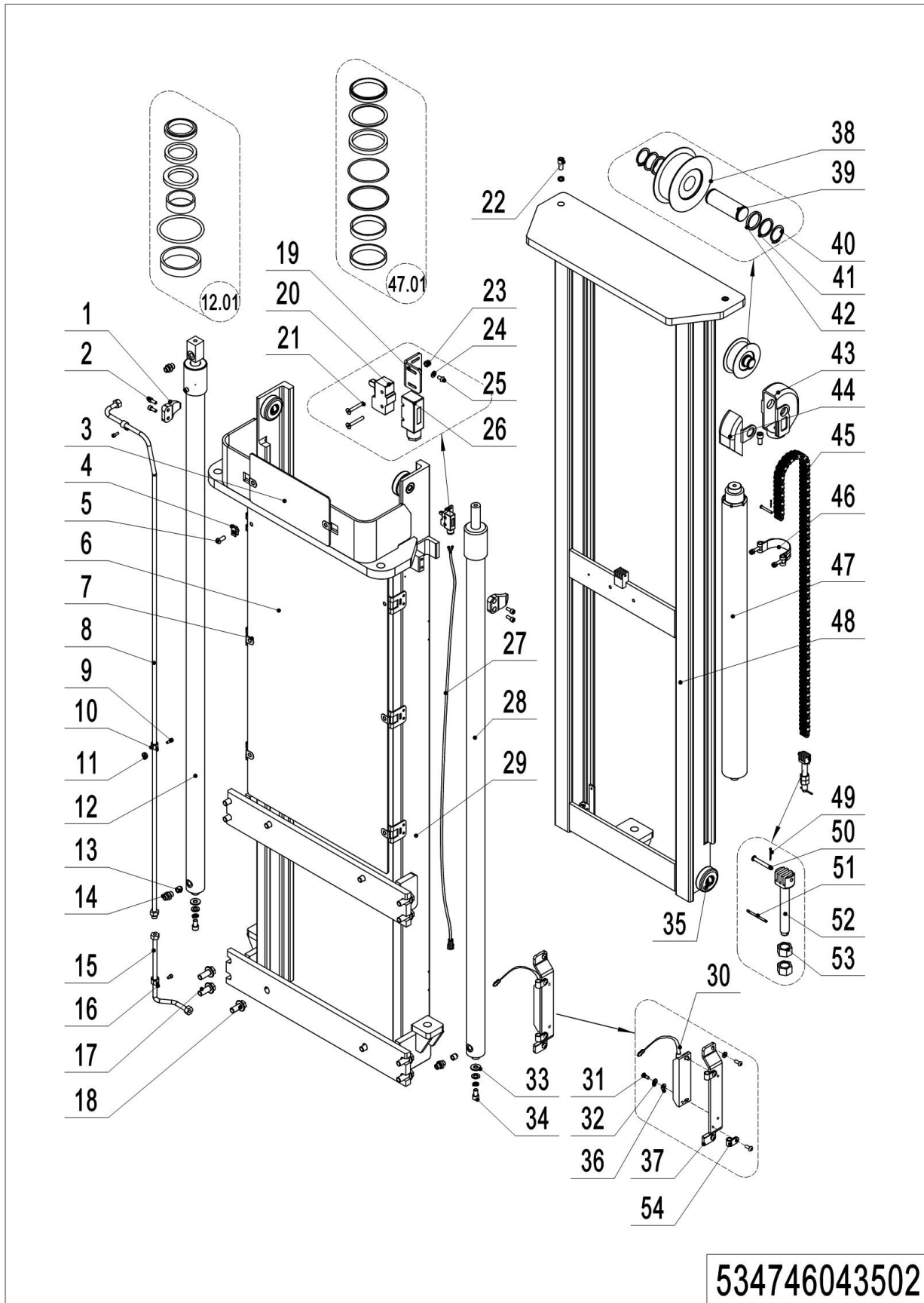
01 Two-stage Mast Standard Lift (534746044002) Continuation



01 Two-stage Mast Standard Lift (534746044002) Continuation

No.	Item Code	Mark	Item Description	Qty.	Substitute	Note
23	920200300008		Protective Cover	1		
24	534733010011		Wire Harness	1		2900
24	534733010013		Wire Harness	1		3200
24	534733010016		Wire Harness	1		3600
25	535933510005		Switch	1		
25	534433510001		Switch	1		EN1175:2020
26	910200500010	1	Screw	2		
26	910200300006	1	Screw	6		EN1175:2020
27	910400500003	1	Washer	2		
28	910400100003	1	Washer	4		EN1175:2020
29	534744520059		Protective Cover	1		
29	534744520080		Protective Cover	1		EN1175:2020
30	940200500010		Sprocket Bearing	1		
31	940600500009		Washer	2		
32	940600500008		Washer	2		
33	910200400016	1	Screw	1		
34	533544510006		Pin	1		
35	534744010010		Chain	1		2900
35	532944010015		Chain	1		3200
35	534744010009		Chain	1		3600
36	534744010016	2	Inner Mast(2900)	1		
36	534744010015	2	Inner Mast(3200)	1		
36	534744010014	2	Inner Mast(3600)	1		
37	940200300004		Compound Roller	4		
38	910600600006	1	Cotter Pin	2		
39	941100800012		Pin	2		
40	532644520038		Chain Anchor	2		
41	910600600023	1	Cotter Pin	2		
42	910300200008	1	Nut	4		
43	921300200001		Cable fixer	2		

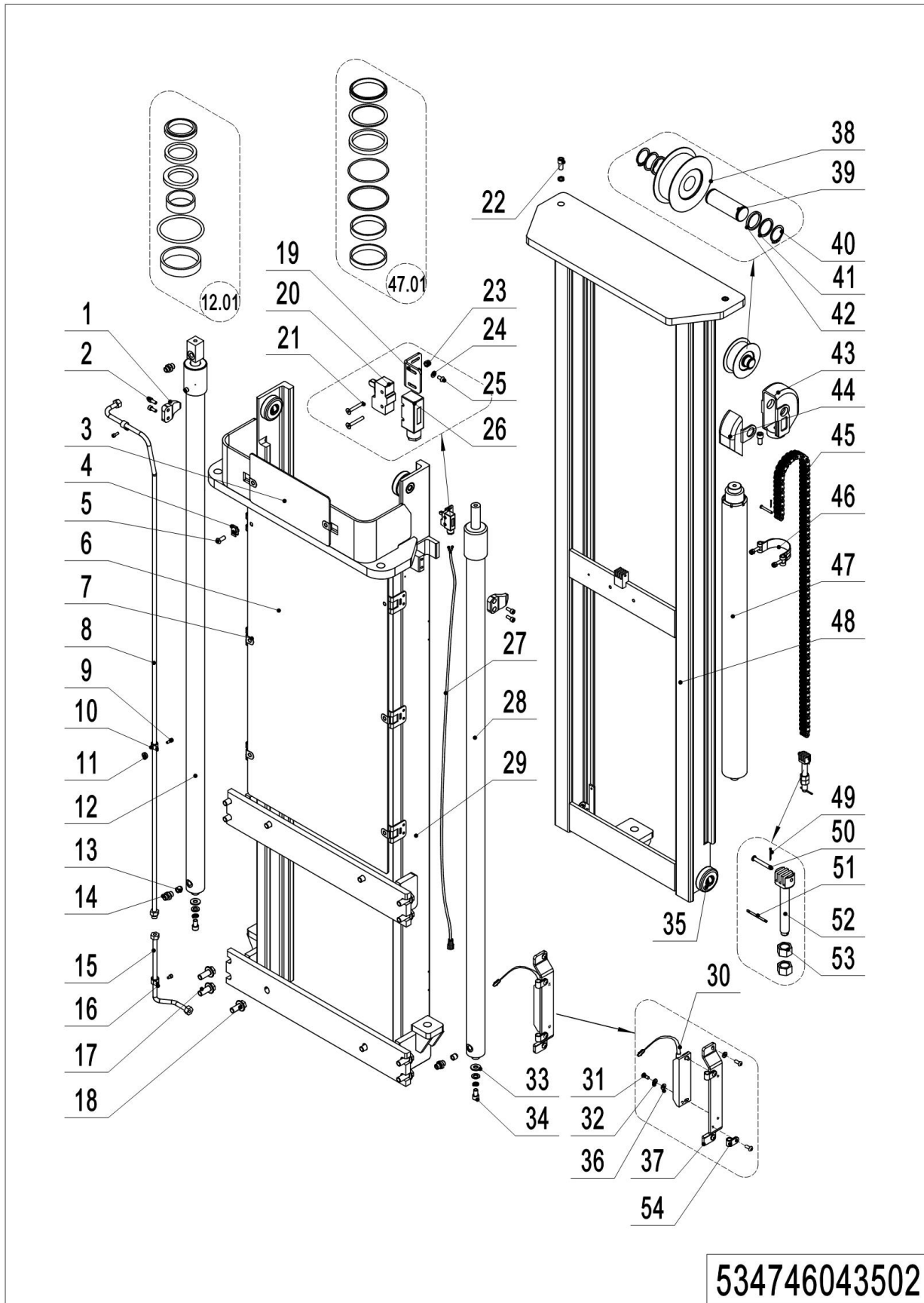
02 Two-stage mast full free lift (534746043502)



02 Two-stage mast full free lift (534746043502)

No.	Item Code	Mark	Item Description	Qty.	Substitute	Note
1	275044020076		Fixing Plate	2		
2	910200200057	1	Screw	4		
3	534744520037		Guard Plate	1		
4	940400400003		Cage Nut	2		
5	941100100005		Screw	2		
6	534744020011		Guard Plate	1		2900
6	534744520038		Guard Plate	1		3200
6	534744020006		Guard Plate	1		3600
6	534743540005		Guard Plate	1		4000
7	940400300001		Spring Buckle	4		
7	940400300001		Spring Buckle	6		
8	534743510017		Steel Tube	1		2900
8	534743510016		Steel Tube	1		3200
8	534443520001		Steel Tube	1		3600
8	534743540000		Steel Tube	1		4000
9	910200200035	1	Screw	2		
10	951000100001		Hose Clamp	2		
11	940600500001		Washer	2		
12	534743510008		Cylinder	1		2900
12	534743510007		Cylinder	1		3200
12	534743510006		Cylinder	1		3600
12	534743530004		Cylinder	1		4000
12.01	534798510002		Seal Kit	2		Also for cylinder 28
13	950600300001		Safety Valve	3		
14	950400400003		Joint	4		
15	534743510018		Steel Tube	1		
16	951000100003		Hose Clamp	1		
17	910100800006	1	Bolt	8		
18	910100800005	1	Bolt	4		
19	534744520036		Fixing Plate	1		

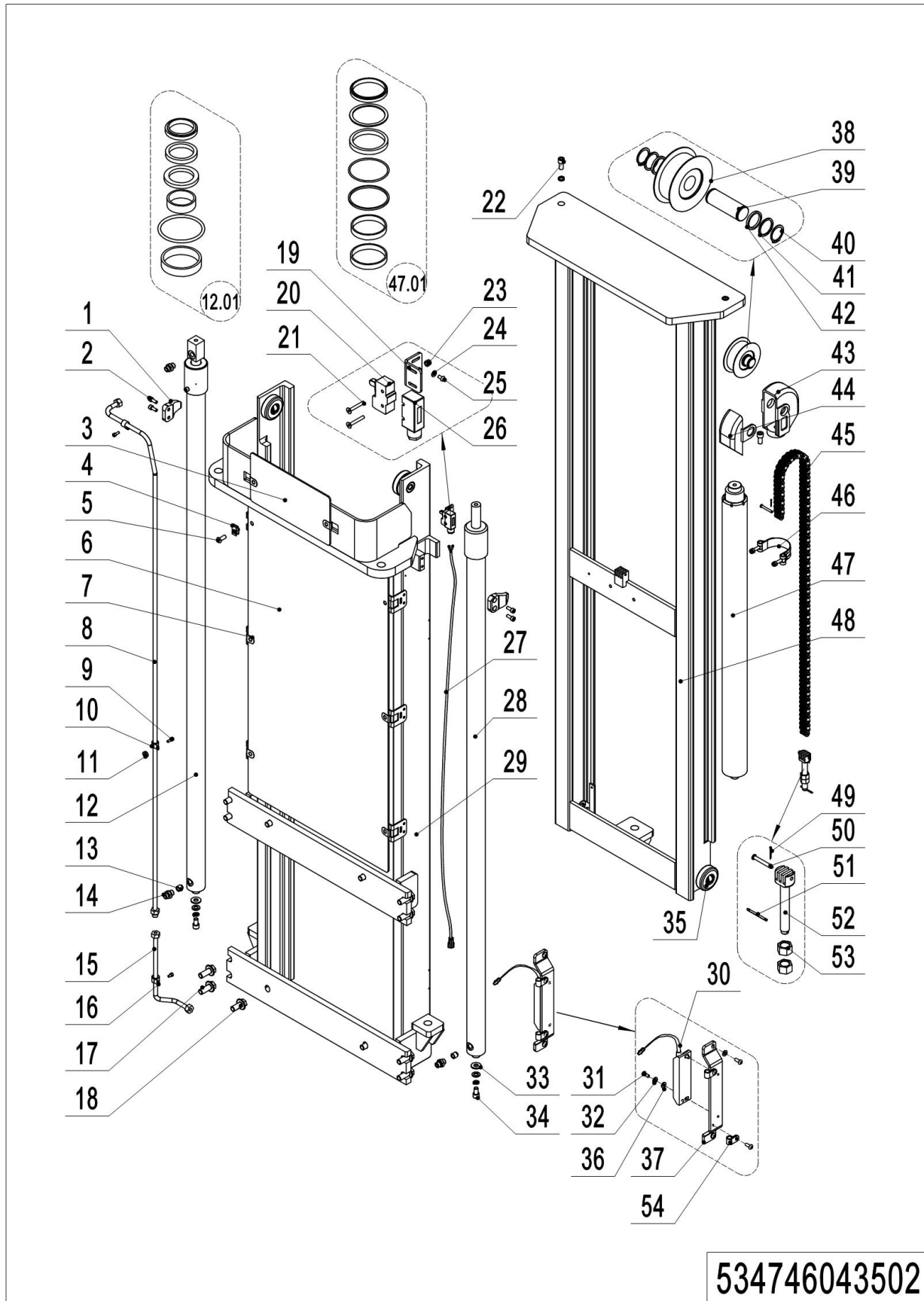
02 Two-stage Mast Full Free Lift (534746043502) Continuation 1



02 Two-stage Mast Full Free Lift (534746043502) Continuation 1

No.	Item Code	Mark	Item Description	Qty.	Substitute	Note
20	920200300001		Microswitch	1		
21	910200400007	1	Screw	2		
22	910200200097	1	Screw	3		
23	910300500001	1	Nut	2		
24	910400100003	1	Flat Washer	2		
25	910200300005	1	Screw	2		
26	920200300008		Protective Cover	1		
27	534733010011		Wire Harness	1		2900
27	534733010013		Wire Harness	1		3200
27	534733010016		Wire Harness	1		3600
27	534733010017		Wire Harness	1		4000
28	534743510014		Cylinder	1		2900
28	534743510013		Cylinder	1		3200
28	534743510012		Cylinder	1		3600
28	534743530005		Cylinder	1		4000
29	534743510022	2	Outer Mast(2900)	1		
29	534743510021	2	Outer Mast(3200)	1		
29	534743510020	2	Outer Mast(3600)	1		
29	534743530000	2	Outer Mast(4000)	1		
30	535933510005		Switch	1		
30	534433510001		Switch	1		EN1175:2020
31	910200500010	1	Screw	2		
31	910200300006	1	Screw	6		EN1175:2020
32	910400500003	1	Washer	2		EN1175:2020
33	534744520015		Subplate	2		
34	910200200096	1	Screw	2		
35	940200300004		Compound Roller	4		
36	910400100003	1	Washer	4		
37	534744520059		Protective Cover	1		
37	534744520080		Protective Cover	1		EN1175:2020

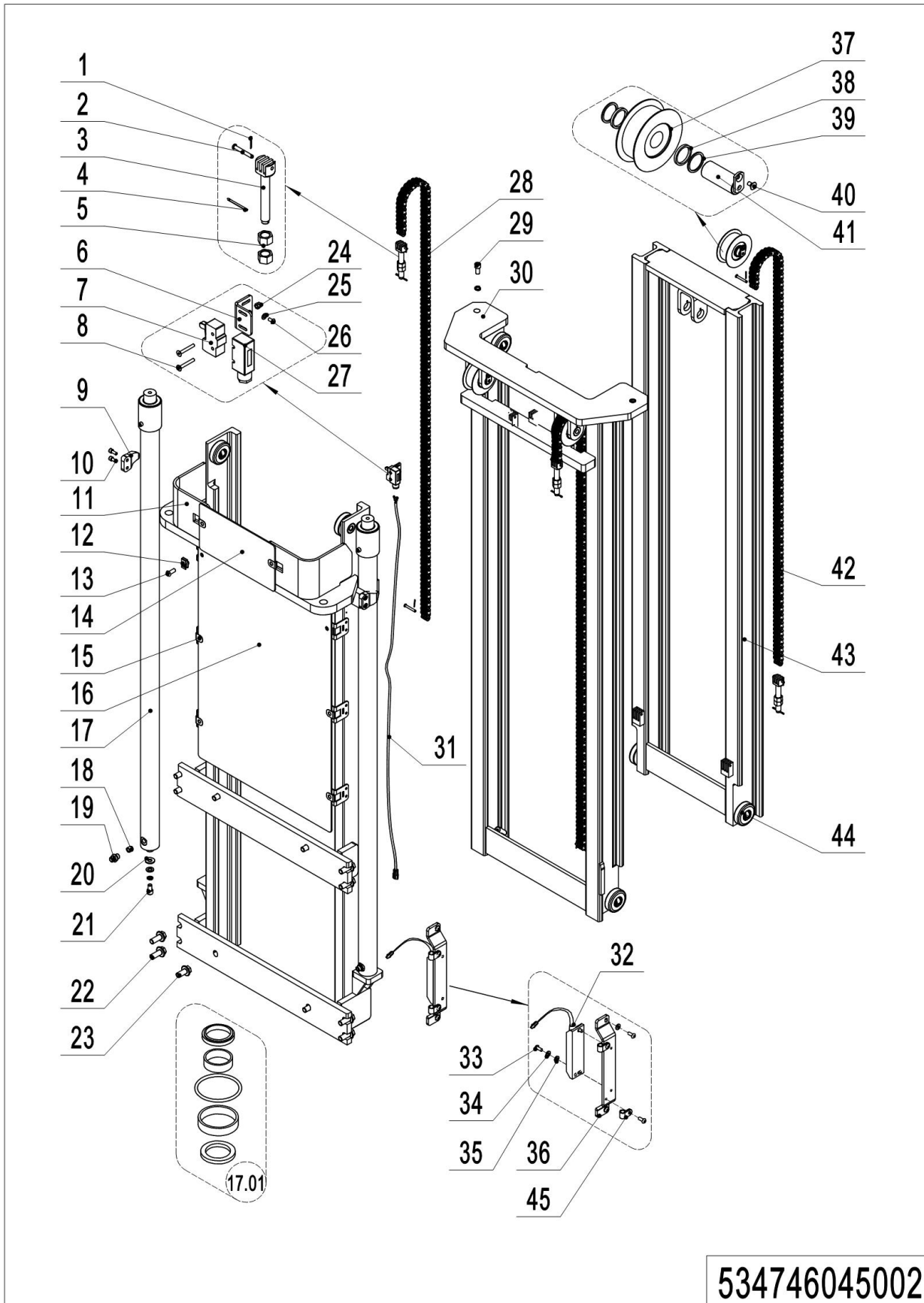
02 Two-stage Mast Full Free Lift (534746043502) Continuation 2



02 Two-stage Mast Full Free Lift (534746043502) Continuation 2

No.	Item Code	Mark	Item Description	Qty.	Substitute	Note
38	940200500010		Sprocket Bearing	1		
39	532644520037		Axle	1		
40	910401300016	1	Circlip	2		
41	940600500008		Washer	2		
42	940600500009		Washer	2		
43	532644520035		Yoke	1		
44	532644520036		Side Cover	1		
45	532644510077		Chain	1		2900
45	532644510083		Chain	1		3200
45	532644510073		Chain	1		3600
45	532644510079		Chain	1		4000
46	940800600002		Hoop	1		
47	534743510011		Cylinder	1		2900
47	534743510010		Cylinder	1		3200
47	534743510009		Cylinder	1		3600
47	534743530003		Cylinder	1		4000
47.01	534798510003		Seal Kit	1		
48	534743510025	2	Inner Mast(2900)	1		
48	534743510024	2	Inner Mast(3200)	1		
48	534743510023	2	Inner Mast(3600)	1		
48	534743530001	2	Inner Mast(4000)	1		
49	910600600006	1	Cotter Pin	2		
50	941100800012		Pin	2		
51	910600600023	1	Cotter Pin	1		
52	532644520038		Chain Anchor	1		
53	910300200008	1	Nut	2		
54	921300200001		Cable fixer	2		

03 Triple Mast Standard Lift (534746045002)



534746045002

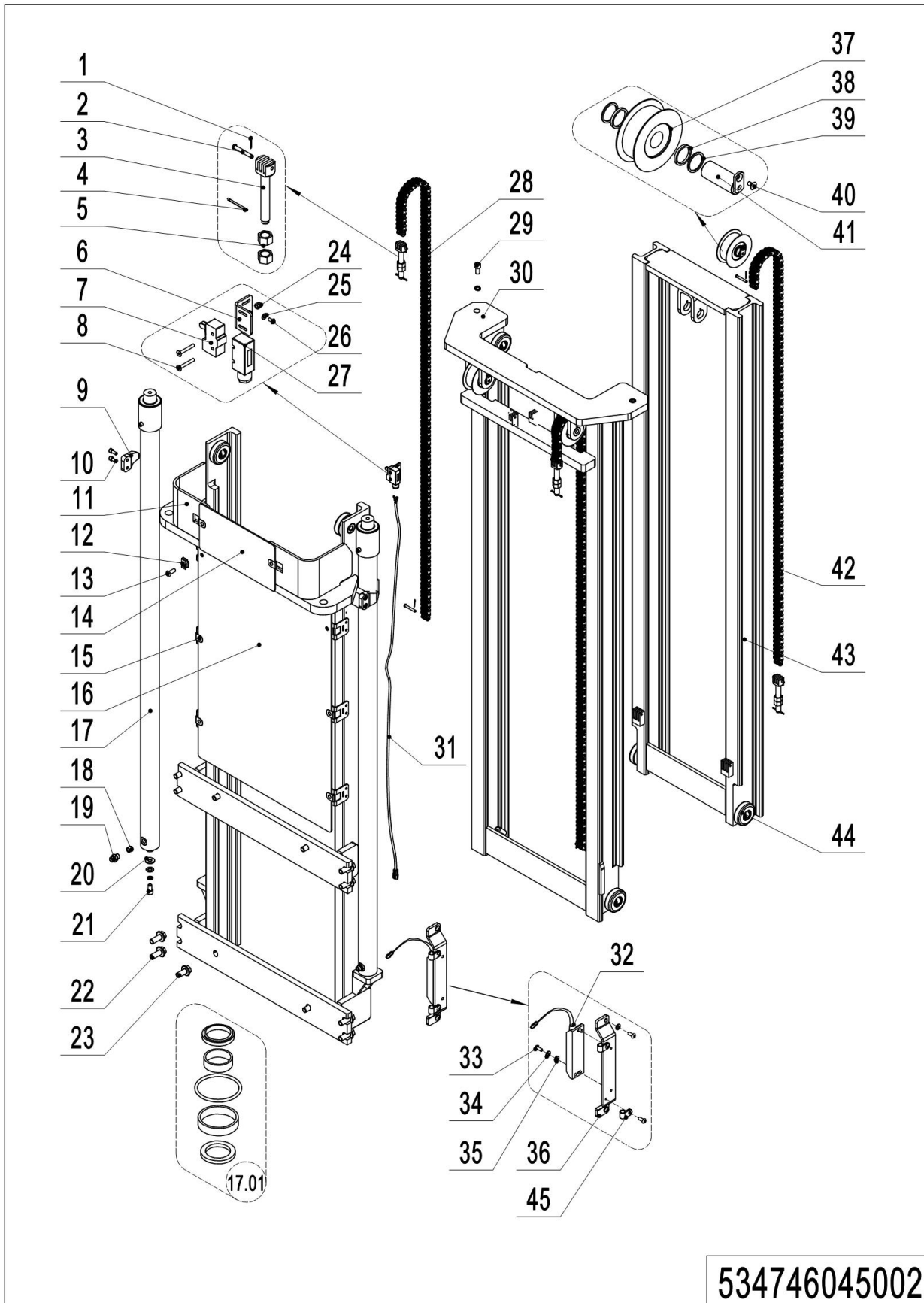
1= Supply as package. 2= Supply with constraints. 3= Phasing-out supply. 4= Supply as assembly. 5= Check other tables.

03 Triple Mast Standard Lift (534746045002)

No.	Item Code	Mark	Item Description	Qty.	Substitute	Note
1	910600600006	1	Cotter Pin	6		
2	941100800006	3	Pin	6		
2	941100800012		Pin	6		
3	532644520038		Chain Anchor	3		
4	910600600023		Cotter Pin	3		
5	910300200008	1	Nut	6		
6	534744520036		Fixing Plate	1		
7	920200300001		Microswitch	1		
8	910200400007	1	Screw	2		
9	275044020076		Fixing Plate	2		
10	910200200057	1	Screw	4		
11	534745010012	2	Outer Mast(4300)	1		
11	534745010010	2	Outer Mast(4600)	1		
12	940400400003		Cage Nut	2		
13	941100100005	1	Screw	2		
14	534744520037		Guard Plate	1		
15	940400300001		Spring Buckle	6		
16	534744520039		Guard Plate	1		4300
16	534744520038		Guard Plate	1		4600
17	534745010007		Cylinder	2		4300
17	534745010006		Cylinder	2		4600
17.01	534798510004		Seal Kit	2		
18	950600300001		Safety Valve	2		
19	950400400003		Joint	2		
20	534744520015		Subplate	2		
21	910200200096	1	Screw	2		
22	910100800006		Bolt	8		
23	910100800005		Bolt	4		
24	910200300005	1	Screw	2		
25	910400100003	1	Flat Washer	2		

1= Supply as package. 2= Supply with constraints. 3= Phasing-out supply. 4= Supply as assembly. 5= Check other tables.

03 Triple Mast Standard Lift (534746045002) Continuation

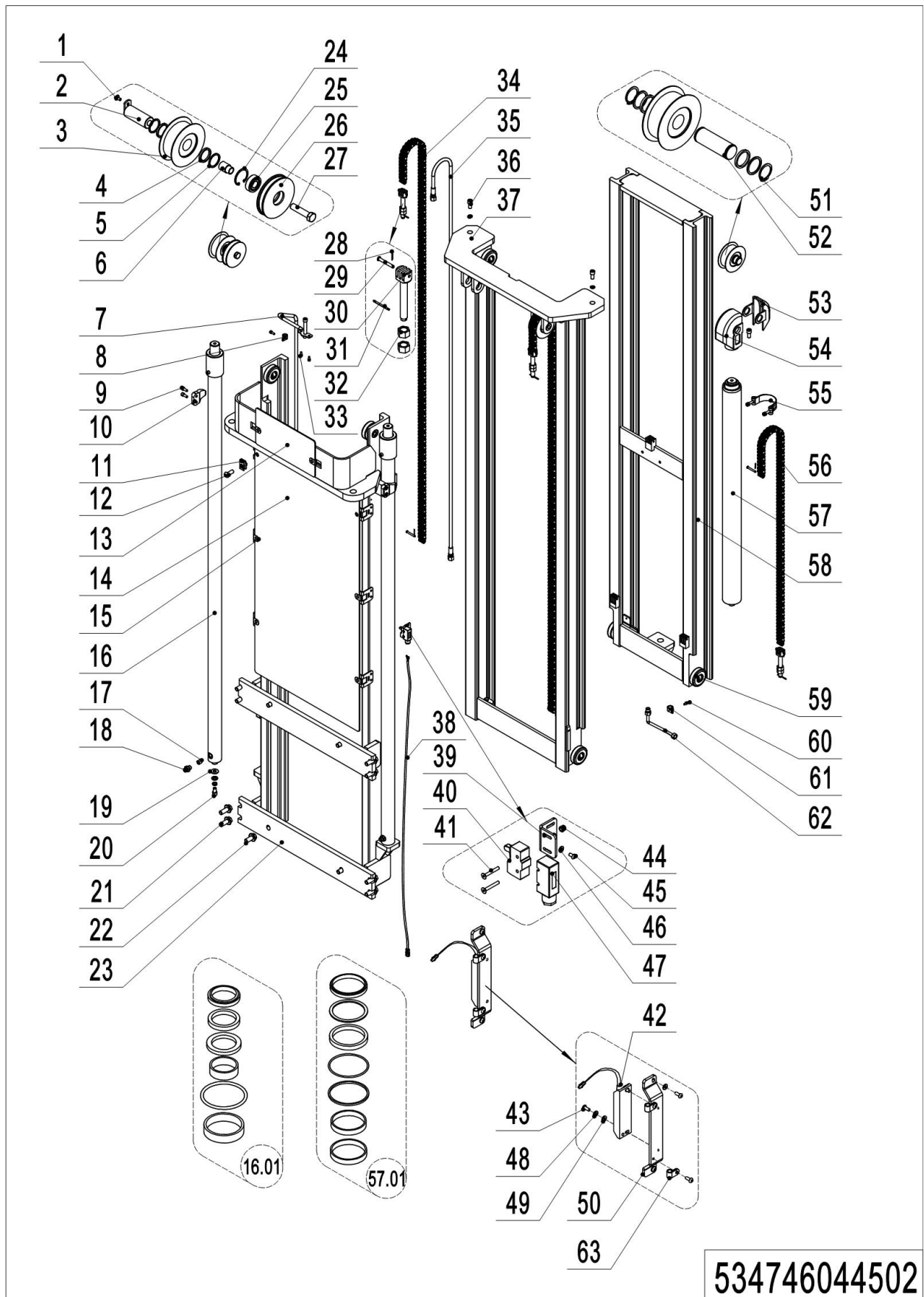


534746045002

03 Triple Mast Standard Lift (534746045002) Continuation

No.	Item Code	Mark	Item Description	Qty.	Substitute	Note
26	910200300005	1	Screw	4		
27	920200300008		Protective Cover	1		
28	534745010009		Chain	2		4300
28	534145010005		Chain	2		4600
29	910200200097		Screw	2		
30	534745010013	2	Middle Mast(4300)	1		
30	534745010011	2	Middle Mast(4600)	1		
31	534733010012		Wire Harness	1		4300
31	534733010013		Wire Harness	1		4600
32	535933510005		Switch	1		
32	534433510001		Switch	1		EN1175:2020
33	910200500010	1	Screw	2		
33	910200300006	1	Screw	6		EN1175:2020
34	534744520059		Protective Cover	1		
34	910400500003	1	Washer	2		EN1175:2020
35	910400100003	1	Washer	4		
36	534744520059		Protective Cover	1		
36	534744520080		Protective Cover	1		EN1175:2020
37	940200500010		Sprocket Bearing	3		
38	940600500009	1	Washer	6		
39	940600500008	1	Washer	6		
40	910200400016	1	Screw	3		
41	535045010008		Pin	3		
42	535044510020		Chain	1		4300
42	534745010008		Chain	1		4600
43	534745010005		Inner Mast(4300)	1		
43	534745010004		Inner Mast(4600)	1		
44	940200300004		Compound Roller	8		
45	921300200001		Cable fixer	2		

04 Triple Mast Full Free Lift (534746044502)

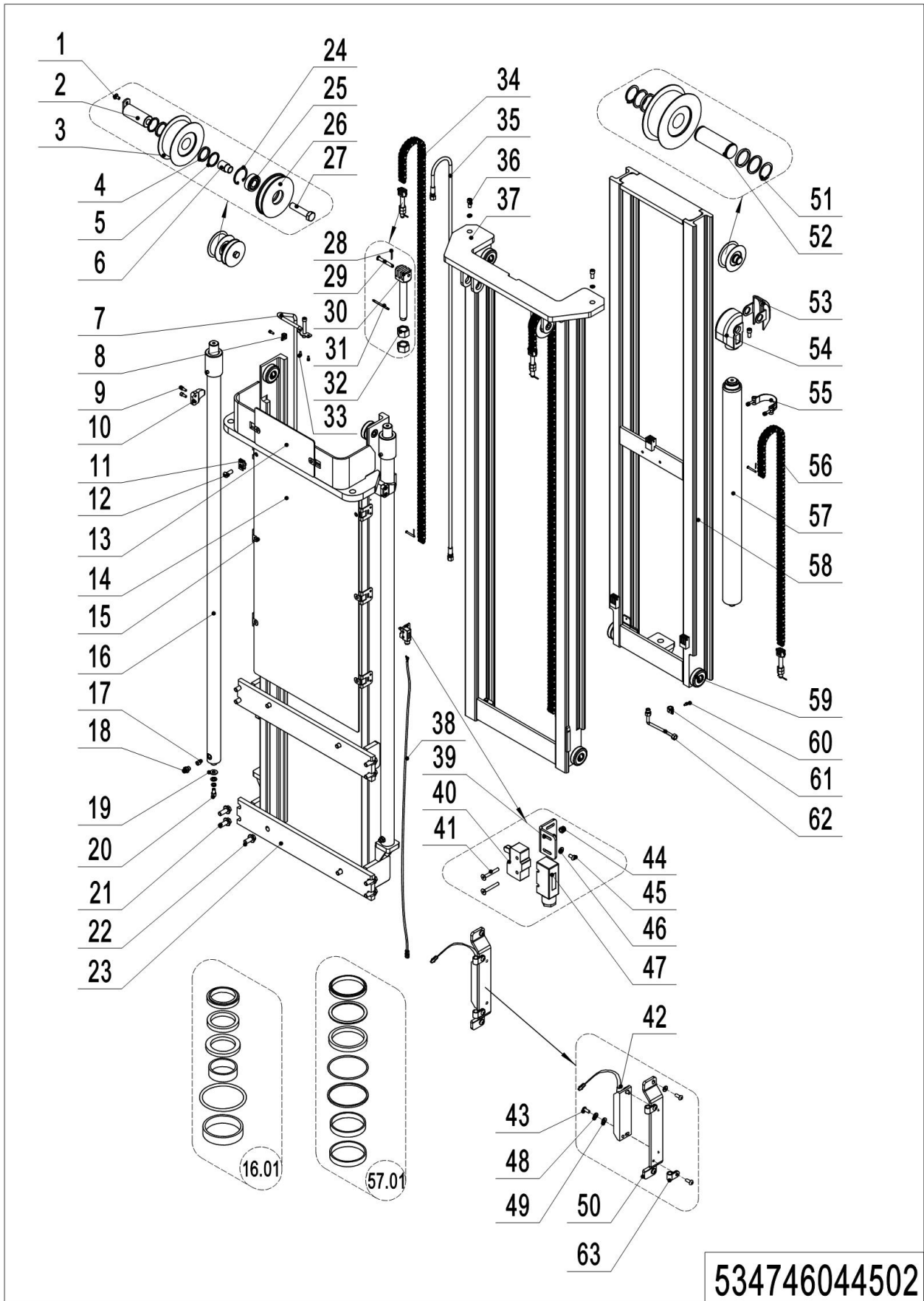


1= Supply as package. 2= Supply with constraints. 3= Phasing-out supply. 4= Supply as assembly. 5= Check other tables.

04 Triple Mast Full Free Lift (534746044502)

No.	Item Code	Mark	Item Description	Qty.	Substitute	Note
1	910200400016	1	Screw	2		
2	533544510006		Pin	2		
3	940200500010		Sprocket Bearing	3		
4	940600500009		Washer	6		
5	940600500008		Washer	6		
6	535944520001		Sleeve	1		
7	534744520074		Steel Tube	1		3400
7	534744530003		Steel Tube	1		3600
7	534744510023		Steel Tube	1		4000
7	534744510021		Steel Tube	1		4300
7	534744510020		Steel Tube	1		4600
7	534744530008		Steel Tube	1		4800
7	534744510022		Steel Tube	1		5300
7	534744520045		Steel Tube	1		5500
8	951000100001		Hose Clamp	2		
9	910200200057	1	Screw	4		
10	275044020076		Fixing Plate	2		
11	940400400003		Cage Nut	2		
12	941100100005		Screw	2		
13	534744520037		Guard Plate	1		
14	534744520072		Guard Plate	1		3400
14	534744540006		Guard Plate	1		3600
14	534744520041		Guard Plate	1		4000
14	534744520039		Guard Plate	1		4300
14	534744520038		Guard Plate	1		4600
14	534744540011		Guard Plate	1		4800
14	534744520040		Guard Plate	1		5300
14	534744520052		Guard Plate	1		5500
15	940400300001	1	Spring Buckle	4		
15	940400300001	1	Spring Buckle	6		

04 Triple Mast Full Free Lift (534746044502) Continuation 1

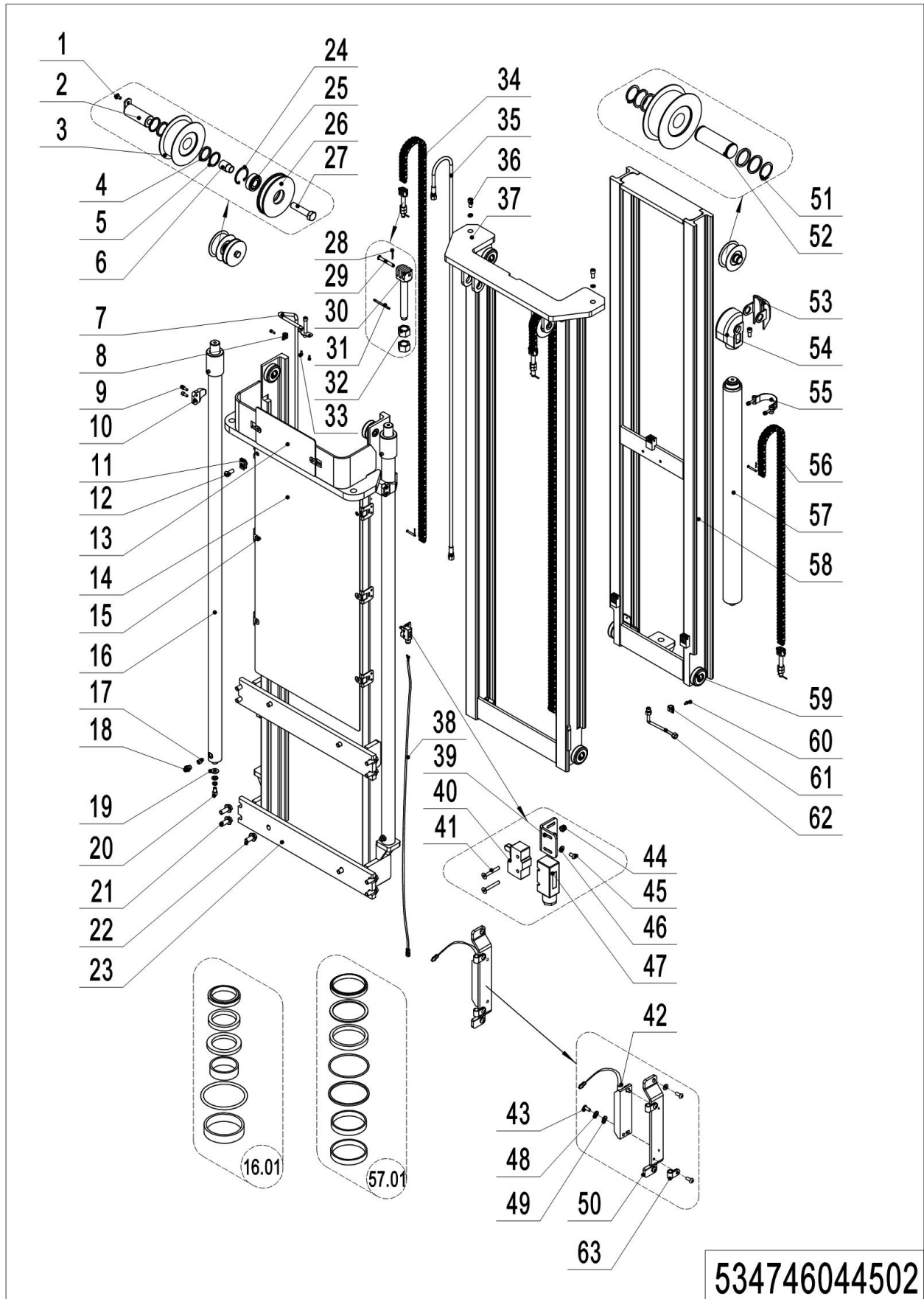


1= Supply as package. 2= Supply with constraints. 3= Phasing-out supply. 4= Supply as assembly. 5= Check other tables.

04 Triple Mast Full Free Lift (534746044502) Continuation 1

No.	Item Code	Mark	Item Description	Qty.	Substitute	Note
16	534744510044		Cylinder	2		3400
16	534744530012		Cylinder	2		3600
16	534744510019		Cylinder	2		4000
16	534744510017		Cylinder	2		4300
16	534744510016		Cylinder	2		4600
16	534744530007		Cylinder	2		4800
16	534744510018		Cylinder	2		5300
16	534744510028		Cylinder	2		5500
16.01	534798510000		Seal Kit	2		
17	950600300001		Safety Valve	3		
18	950400400003		Joint	3		
19	534744520015		Sub plate	2		
20	910200200096	1	Screw	2		
21	910100800006	1	Bolt	8		
22	910100800005	1	Bolt	4		
23	534744510041	2	Outer Mast(3400)	1		
23	534744530000	2	Outer Mast(3600)	1		
23	534744510039	2	Outer Mast(4000)	1		
23	534744510037	2	Outer Mast(4300)	1		
23	534744510030	2	Outer Mast(4600)	1		
23	534744530009	2	Outer Mast(4800)	1		
23	534744510035	2	Outer Mast(5300)	1		
23	534744510032	2	Outer Mast(5500)	1		
24	910401400013	1	Circlip	1		
25	910700200019		Bearing	1		
26	535944520000		Pulley	1		
27	910100100073	1	Bolt	1		
28	910600600006	1	Cotter Pin	6		
28	941100800006	3	Pin	6		
29	941100800012		Pin	6		

04 Triple Mast Full Free Lift (534746044502) Continuation 2

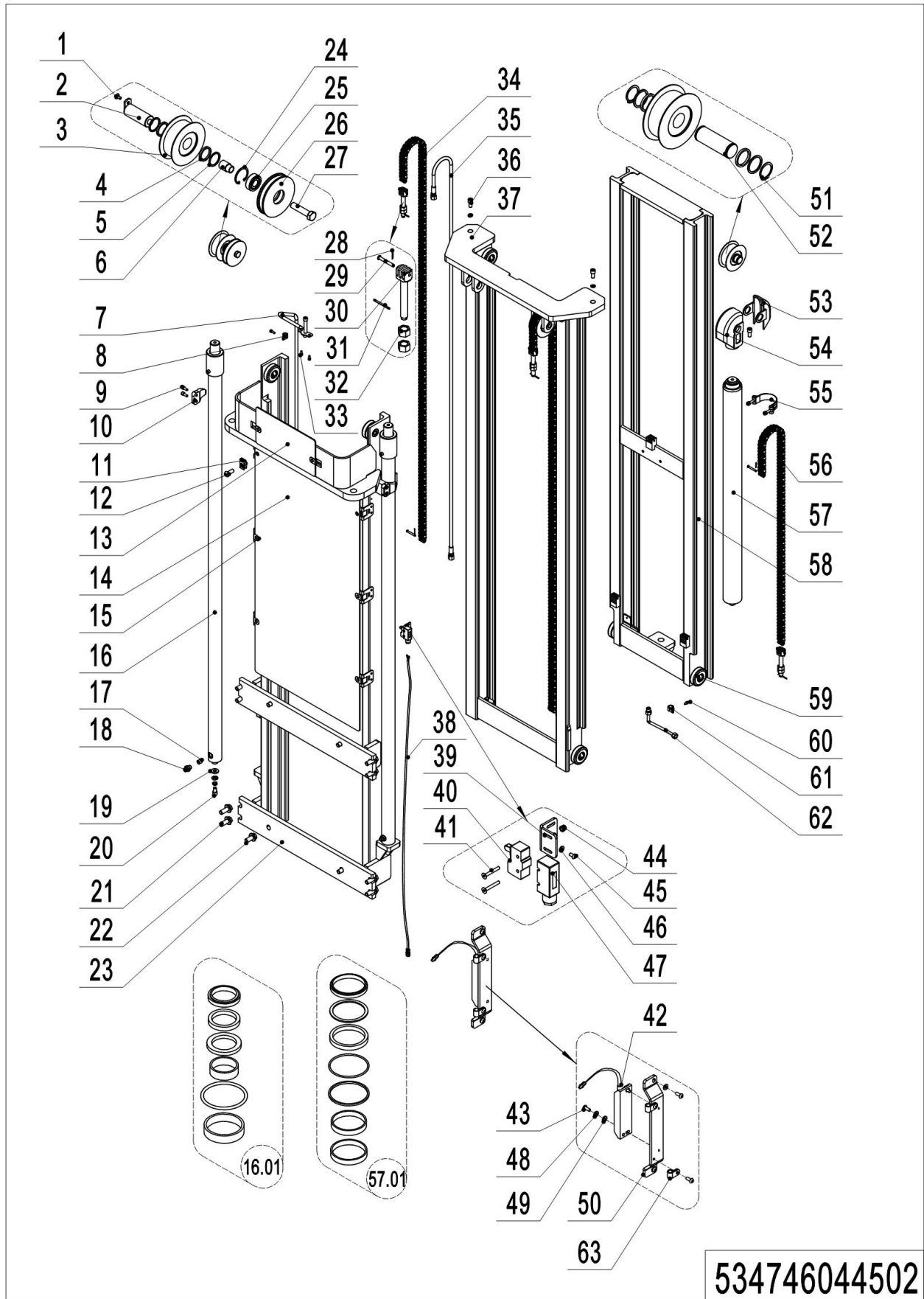


1= Supply as package. 2= Supply with constraints. 3= Phasing-out supply. 4= Supply as assembly. 5= Check other tables.

04 Triple Mast Full Free Lift (534746044502) Continuation 2

No.	Item Code	Mark	Item Description	Qty.	Substitute	Note
30	941300100008		Chain Bolt	3		
31	910600600023	1	Cotter Pin	3		
32	910300200008	1	Nut	6		
33	910200400006	1	Screw	2		
34	532644510081		Chain	2		3400
34	533545010006		Chain	2		3600
34	534744510047		Chain	2		4000
34	534745010009		Chain	2		4300
34	534145010005		Chain	2		4600
34	532644510078		Chain	2		4800
34	534744010009		Chain	2		5300
34	535044510031		Chain	2		5500
35	534744520073		Hose	1		3400
35	534744530004		Hose	1		3600
35	534744520043		Hose	1		4000
35	532644520143		Hose	1		4300
35	532644520144		Hose	1		4600
35	534744540014		Hose	1		4800
35	534744520050		Hose	1		5300
35	534744520044		Hose	1		5500
36	910200200097	1	Screw	3		
37	534744510042	2	Middle Mast(3400)	1		
37	534744530001	2	Middle Mast(3600)	1		
37	534744510040	2	Middle Mast(4000)	1		
37	534744510038	2	Middle Mast(4300)	1		
37	534744510031	2	Middle Mast(4600)	1		
37	534744530010	2	Middle Mast(4800)	1		
37	534744510036	2	Middle Mast(5300)	1		
37	534744510033	2	Middle Mast(5500)	1		
38	534733010018		Wire Harness	1		3400

04 Triple Mast Full Free Lift (534746044502) Continuation 3

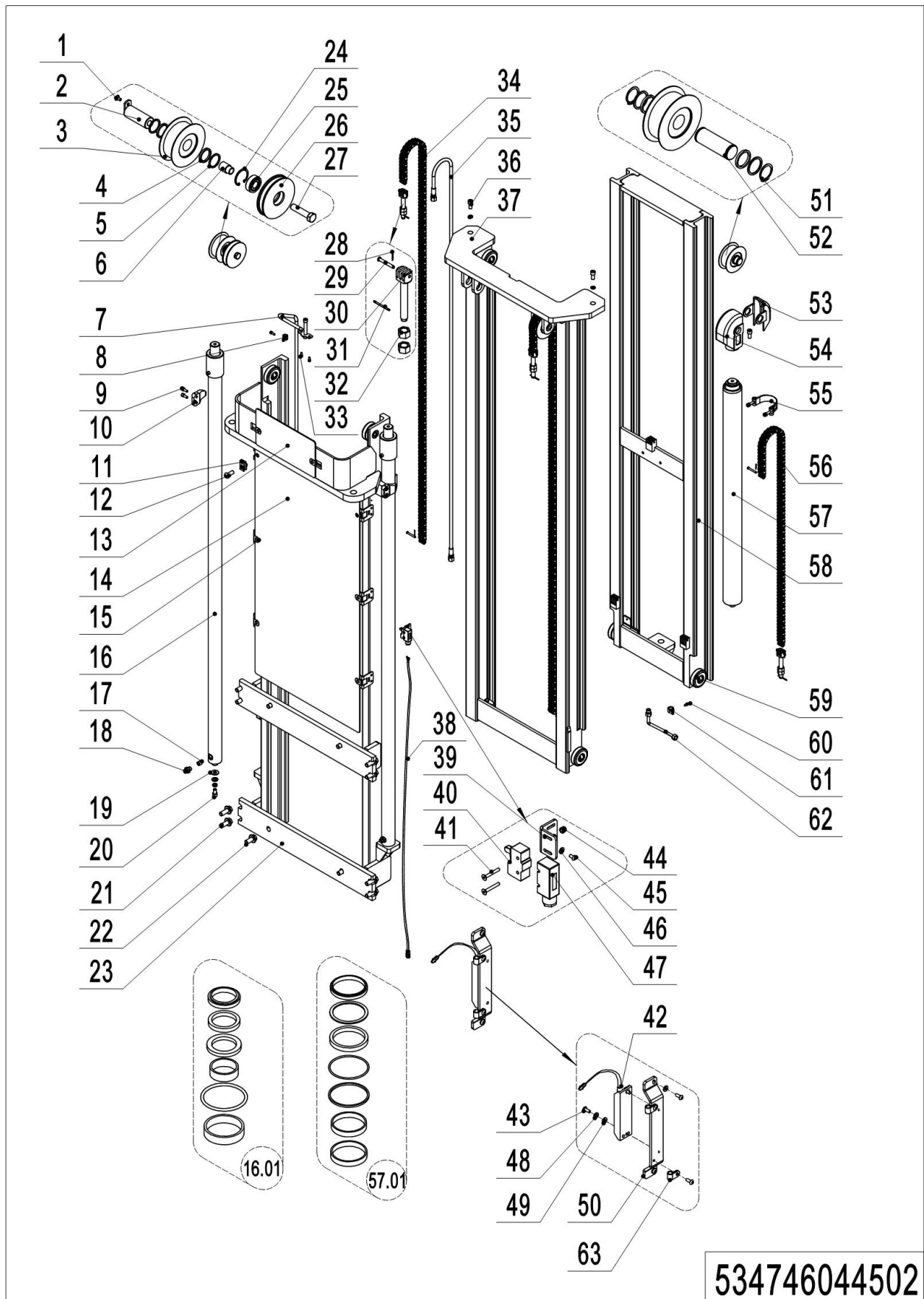


1= Supply as package. 2= Supply with constraints. 3= Phasing-out supply. 4= Supply as assembly. 5= Check other tables.

04 Triple Mast Full Free Lift (534746044502) Continuation 3

No.	Item Code	Mark	Item Description	Qty.	Substitute	Note
38	534733010002		Wire Harness	1		3600
38	534733010002		Wire Harness	1		4000
38	534733010012		Wire Harness	1		4300
38	534733010013		Wire Harness	1		4600
38	534733010013		Wire Harness	1		4800
38	534733010015		Wire Harness	1		5300
38	534733010017		Wire Harness	1		5500
39	534744520036		Fixing Plate	1		
40	920200300001		Microswitch	1		
41	910200400007	1	Screw	4		
42	535933510005		Switch	1		
42	534433510001		Switch	1		EN1175:2020
43	910200500010	1	Screw	2		
43	910200300006	1	Screw	6		EN1175:2020
44	910300500001	1	Nut	4		
45	910200300005	1	Screw	4		
46	910400100003	1	Flat Washer	2		
47	920200300008		Protective Cover	1		
48	910400500003	1	Washer	2		
49	910400100003	1	Washer	4		
50	534744520059		Protective Cover	1		
50	534744520080		Protective Cover	1		EN1175:2020
51	910401300016	1	Circlip	2		
52	532644520037		Axle	1		
53	532644520036		Side Cover	1		
54	532644520035		Yoke	1		
55	940800600002		Hoop	1		
56	534744510046		Chain	1		3400
56	533544510004		Chain	1		3600
56	534743510019		Chain	1		4000

04 Triple Mast Full Free Lift (534746044502) Continuation 4



534746044502

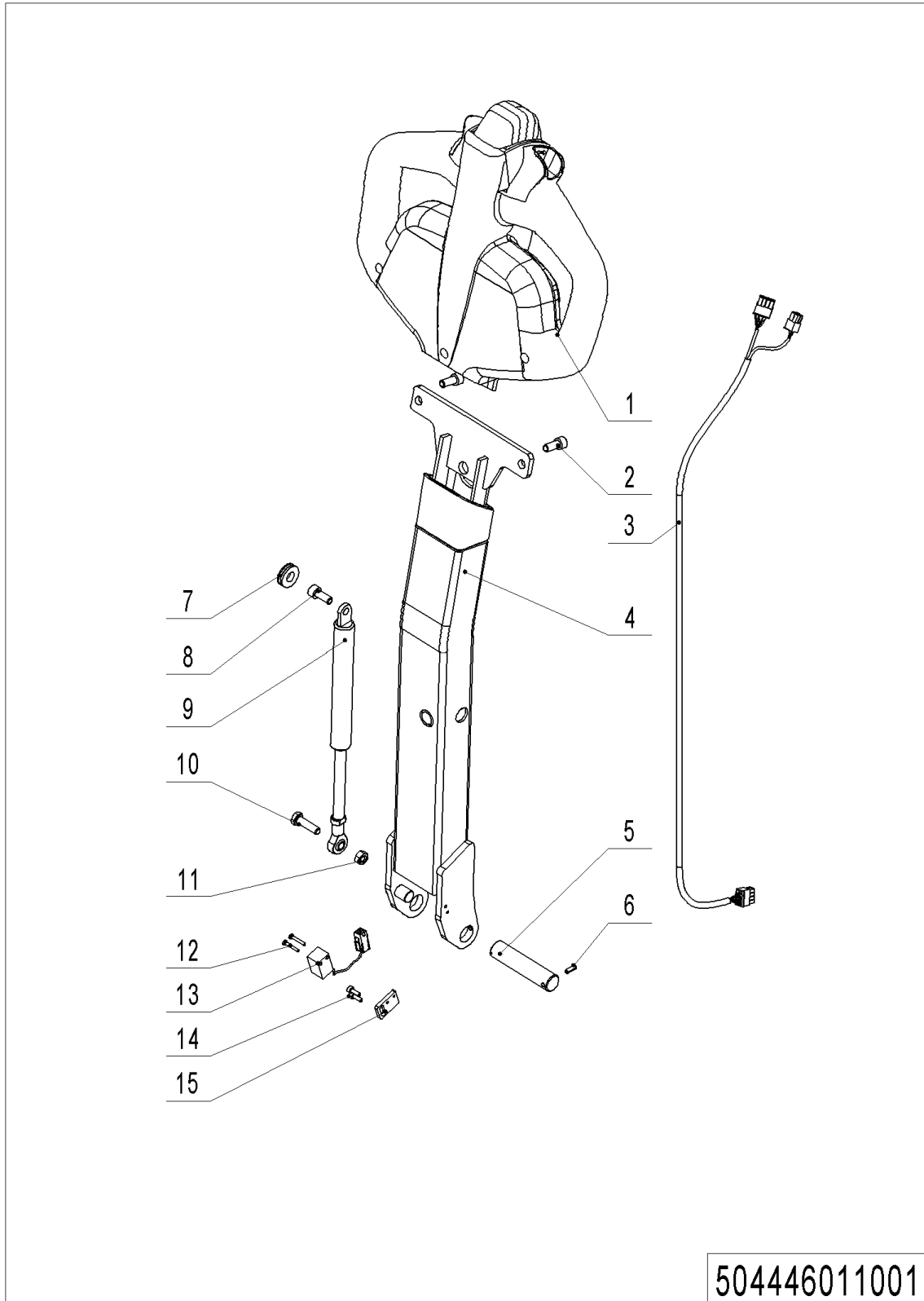
1= Supply as package. 2= Supply with constraints. 3= Phasing-out supply. 4= Supply as assembly. 5= Check other tables.

04 Triple Mast Full Free Lift (534746044502) Continuation 4

No.	Item Code	Mark	Item Description	Qty.	Substitute	Note
56	532644510077		Chain	1		4300
56	251044510096		Chain	1		4600
56	532644510083		Chain	1		4800
56	532644510073		Chain	1		5300
56	532644510079		Chain	1		5500
57	534744510045		Cylinder	1		3400
57	534744530011		Cylinder	1		3600
57	534744510015		Cylinder	1		4000
57	534744510013		Cylinder	1		4300
57	534744510012		Cylinder	1		4600
57	534744530006		Cylinder	1		4800
57	534744510014		Cylinder	1		5300
57	534744510029		Cylinder	1		5500
57.01	534798510001		Seal Kit	1		
58	534744510043	2	Inner Mast(3400)	1		
58	534744530002	2	Inner Mast(3600)	1		
58	534744510011	2	Inner Mast(4000)	1		
58	534744510009	2	Inner Mast(4300)	1		
58	534744510008	2	Inner Mast(4600)	1		
58	534744530005	2	Inner Mast(4800)	1		
58	534744510010	2	Inner Mast(5300)	1		
58	534744510034	2	Inner Mast(5500)	1		
59	940200300004		Compound Roller	8		
60	910200200032	1	Screw	1		
61	951000100003		Hose Clamp	1		
62	533544520006		Steel Tube	1		
63	921300200001		Cable fixer	2		

Chapter 5: Steering System, Braking System, Wheels

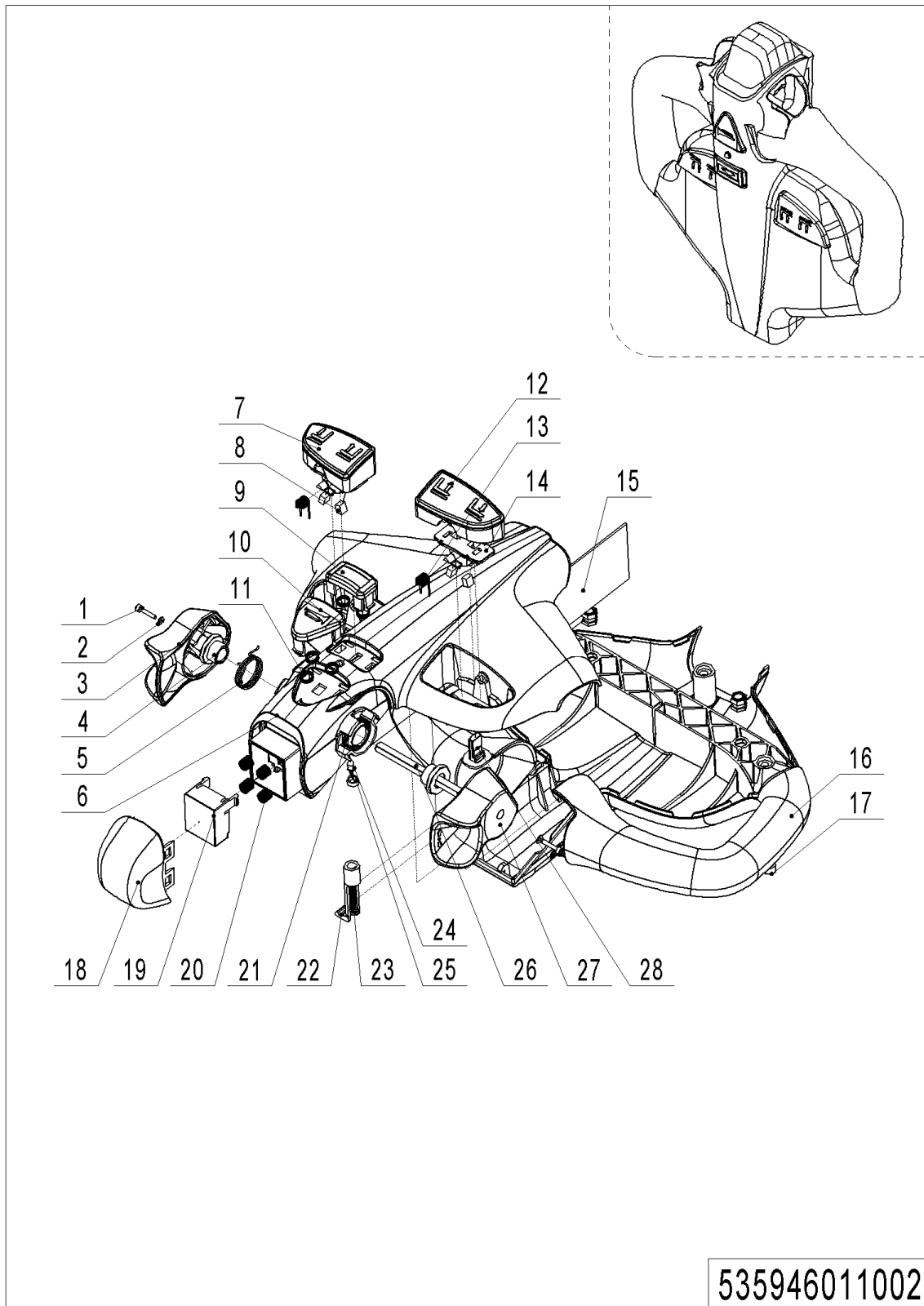
01 Tiller Unit (504446011001)



1= Supply as package. 2= Supply with constraints. 3= Phasing-out supply. 4= Supply as assembly. 5= Check other tables.

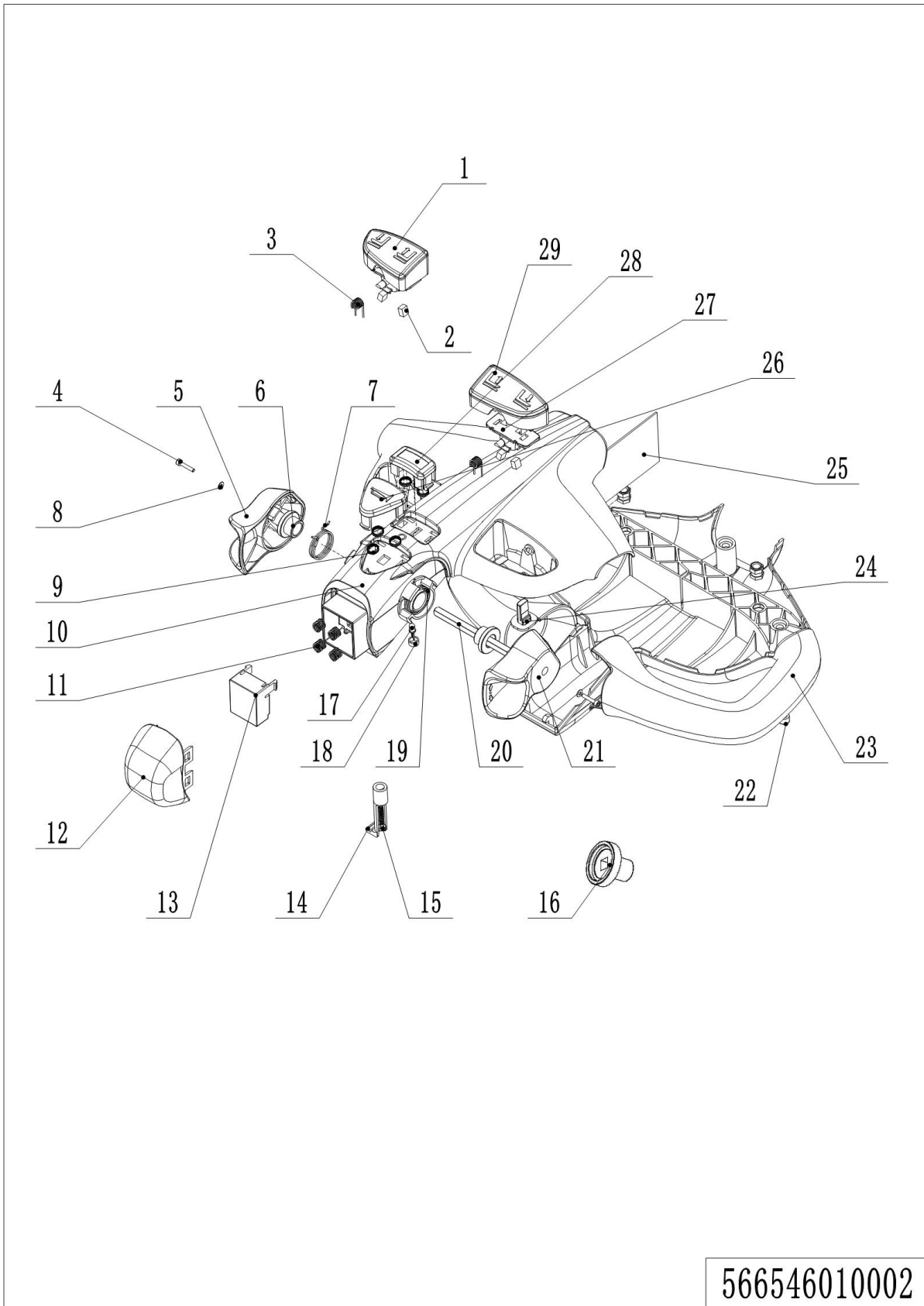
01 Tiller Unit (504446011001)

No.	Item Code	Mark	Item Description	Qty.	Substitute	Note
1	922100100001		Tiller	1		See 535946011002
1	922100100099		Tiller	1		See 566546010002 (EN1175:2020)
2	910200200057	1	Screw	2		
3	534733010001		Wire Harness	1		
3	534733010032		Wire Harness	1		EN1175:2020
4	504411010001		Tiller	1		
5	504411020011		Axle	1		
6	910600400009	1	Spring Pin	1		
7	502311020009		Close Plate	1		
8	941100400001	1	Screw	1		
9	940400100011		Air Spring	1		
10	910100300024	1	Bolt	1		
11	910300100006	1	Nut	1		
12	910200500015	1	Screw	2		
13	505633510002		Proximity Switch	1		
14	910200200014	1	Screw	2		
15	504411020009		Baseboard	1		

02 Control Handle (535946011002)

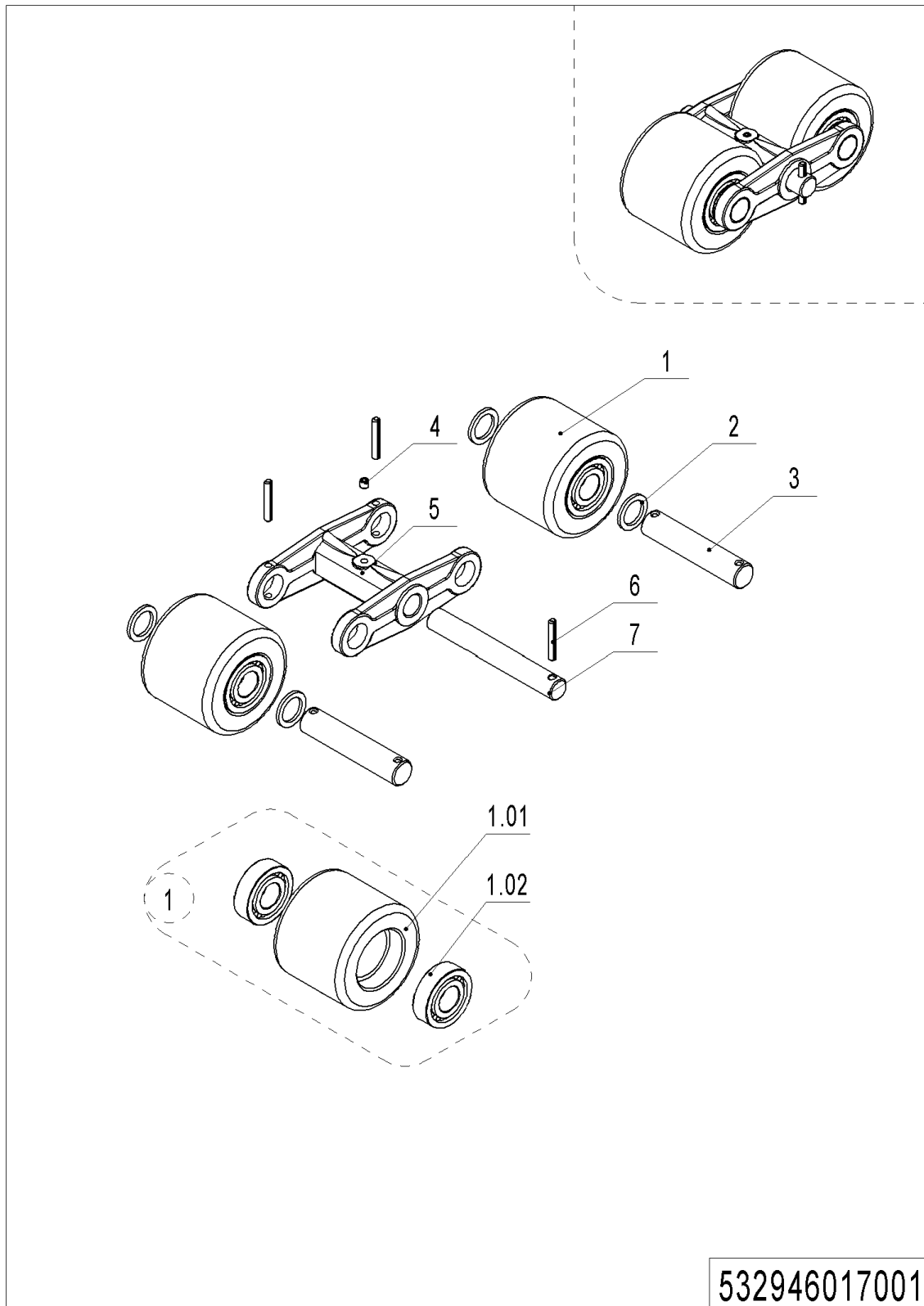
02 Control Handle (535946011002)

No.	Item Code	Mark	Item Description	Qty.	Substitute	Note
—	922100100001		Control Handle	1		
1	505698520008		Screw	2		
2	505698520009		Washer	2		
3	505698520001		Traction lever	1		
4	505698520004		Sleeve	2		
5	505698520027		Torsional Spring	1		
6	505698520014		Handle Cap	1		
7	505698520016		Button Cap	1		
8	505698520005		Magnet	4		
9	505698520021		Button Cap	1		
10	505698520002		Horn Button	1		
11	505698520003		Spring	5		
12	505698520022		Button Cap	1		
13	505698520018		Torsional Spring	2		
14	505698520017		Fixing Base	2		
15	505698520028		circuit Board	1		
16	505698520015		Handle Cap	1		
17	505698520007		Screw	3		
18	505698520020		Button Cap-	1		
19	505698520019		Pedestal	1		
20	505698520006		Spring	4		
21	505698520026		Torsional Spring	1		
22	505698520012		Clamp	1		
23	505698520023		Screw	1		
24	505698520024		Light	1		
25	505698520025		Lamp Holder	1		
26	505698520011		Axle-Traction lever	1		
27	505698520010		Traction lever	1		
28	505698520013		Sensor	2		

02 Control Handle(EN1175:2020) (566546010002)

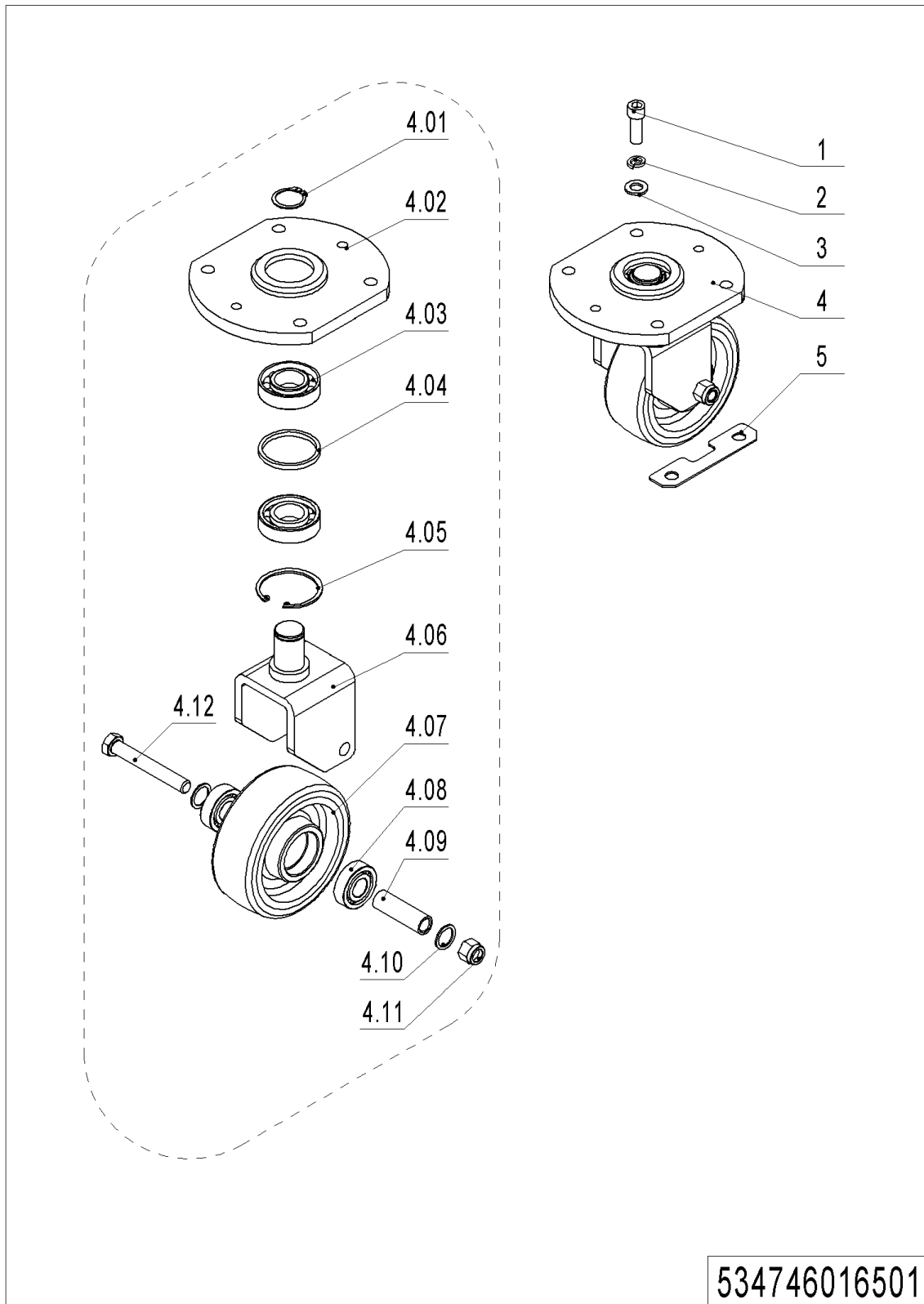
02 Control Handle (EN1175:2020) (566546010002)

No.	Item Code	Mark	Item Description	Qty.	Substitute	Note
—	922100100099		Control Handle	1		
1	505698520016		Button cap	1		
2	505698520005		Magnet	4		
3	505698520018		Torsional Spring	2		
4	505698520008		Screw	2		
5	505698520001		Traction lever	1		
6	505698520004		Sleeve	2		
7	505698520027		Torsional Spring	1		
8	505698520009		Washer	2		
9	505698520003		Spring	5		
10	505698520099		Handle Cap	1		
11	505698520006		Spring	4		
12	505698520020		Button Cap-	1		
13	505698520100		Pedestal	1		
14	505698520012		Clamp	1		
15	505698520023		Screw	1		
16	505698520102		Magnet holder	2		
17	505698520024		Light	1		
18	505698520025		Lamp Holder	1		
19	505698520026		Torsional Spring	1		
20	505698520011		Axle-Traction lever	1		
21	505698520010		Traction lever	1		
22	505698520007		Screw	3		
23	505698520015		Handle Cap	1		
24	505698520013		Sensor	2		
25	505698520101		circuit Board	1		
26	505698520002		Horn Button	1		
27	505698520017		Fixing Base	2		
28	505698520021		Button Cap	1		
29	505698520022		Button Cap	1		

03 Load Wheel (532946017001)

03 Load Wheel (532946017001)

No.	Item Code	Mark	Item Description	Qty.	Substitute	Note
--	532998510000		Wheel Assembly	2		
1	532998510001		Wheel Kits	4		
1.01	940300300009		Wheel Φ 84x70	4		
1.02	910700200019		Bearing	8		
2	940600500004		Washer	8		
3	504117020005		Axle	4		
4	911200100001		Oil Cup	2		
5	504117020004		Wheel Carrier	2		
6	910600400027	1	Spring Pin	6		
7	504117020003		Axle	2		

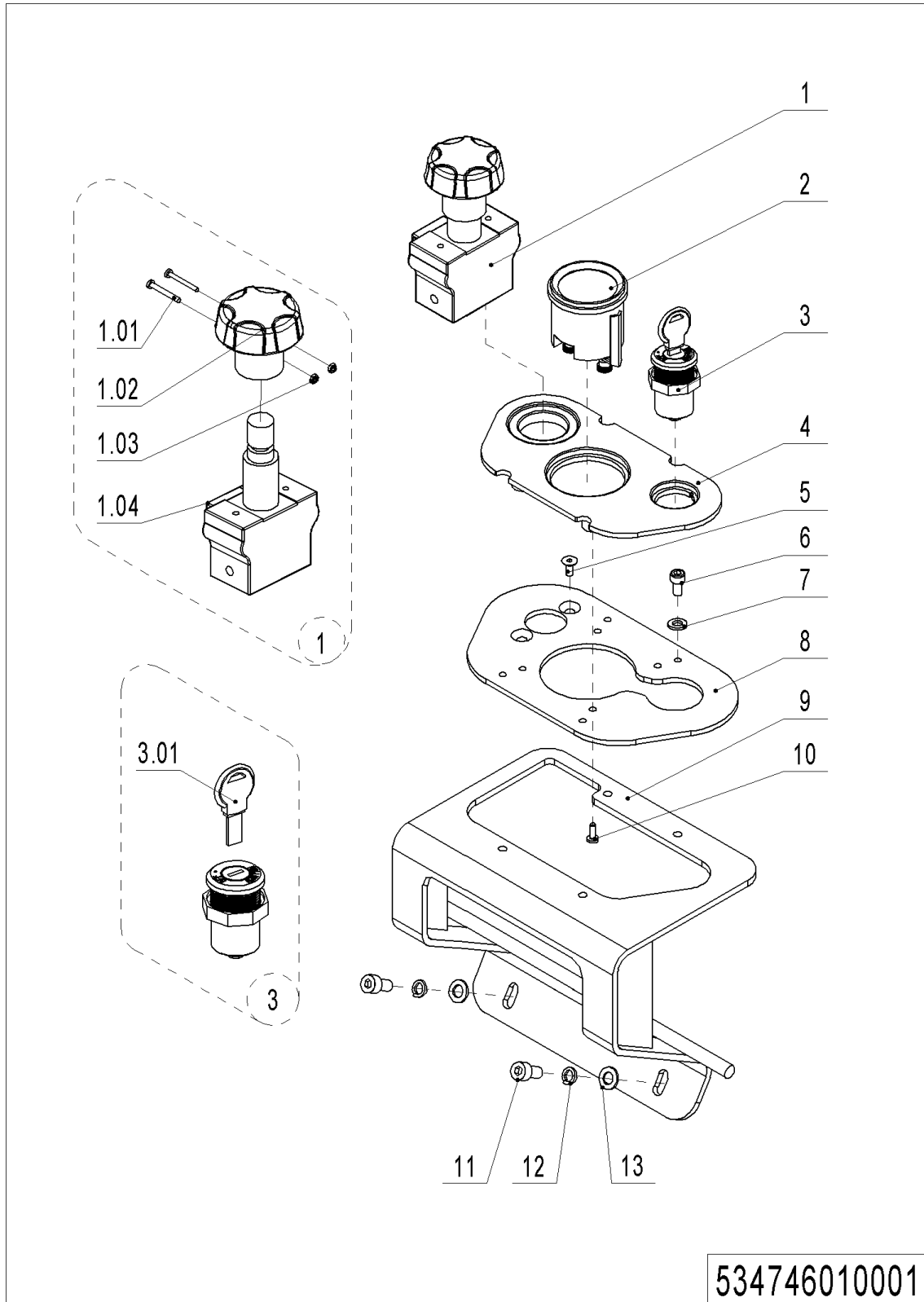
04 Caster (534746016501)

04 Caster (534746016501)

No.	Item Code	Mark	Item Description	Qty.	Substitute	Note
1	910200200099		Screw	4		
2	910400500008		Spring Washer	4		
3	910400100008		Flat Washer	4		
4	534716510002		Caster Assembly	1		
4.01	910401300016		Circlip	1		
4.02	534716510000		Bracket	1		
4.036	910700400004		Bearing	2		
4.04	532616520001		Check Ring	1		
4.05	910401400018	1	Circlip	1		
4.06	534716510001	2	Wheel Carrier	1		
4.07	940300300020		WheelΦ150x54	1		
4.08	910700200019		Bearing	2		
4.09	532616520003		Bushing	1		
4.10	940600500014		Washer	2		
4.11	910300500007	1	Nut	1		
4.12	910100100069	1	Bolt	1		
5	534721520026		Subplate	6		

Chapter 6: Electrical Parts

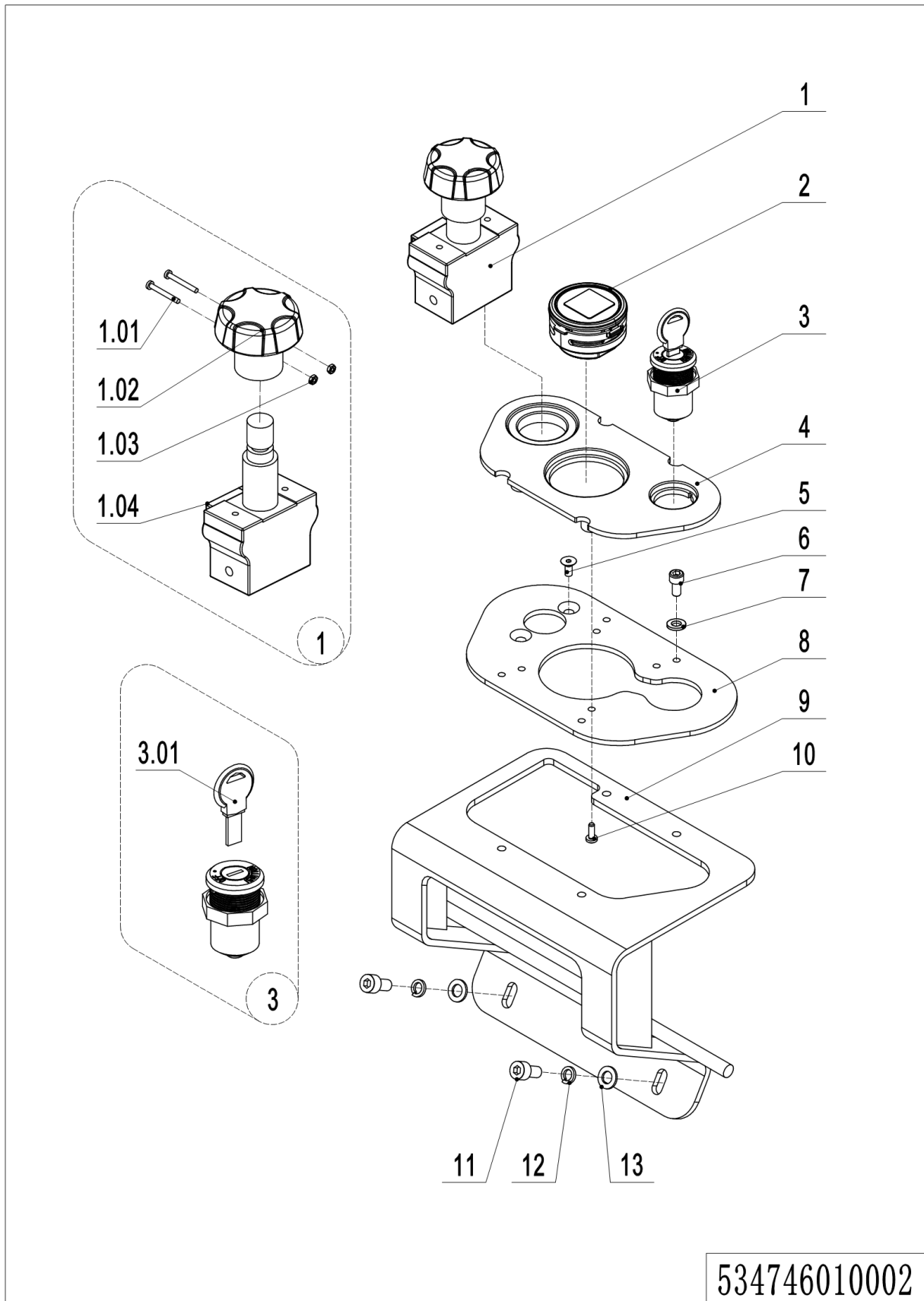
01 Display Assembly (534746010001)



01 Display Assembly (534746010001)

No.	Item Code	Mark	Item Description	Qty.	Substitute	Note
1	920200100001		Emergency Button	1		
1.01	910200500016		Screw	2		
1.02	505698520029		Button	1		
1.03	910300100002		Nut	2		
1.04	505698520030		Proximity Switch	1		
2	921100100012		仪表	1		
3	505634010000		Key Switch	1		
3.01	505698520031		Key	1		
4	534710020004		Panel	1		
5	910200400010		Screw	2		
6	910200200036		Screw	4		
7	910400100005		Flat Washer	4		
8	534710020005		Fixing Base	1		
9	534710010000		Mounting Plate	1		
10	910201300001		Screw	4		
11	910200200055		Screw	2		
12	910400500006		Spring Washer	2		
13	910400100006		Flat Washer	2		

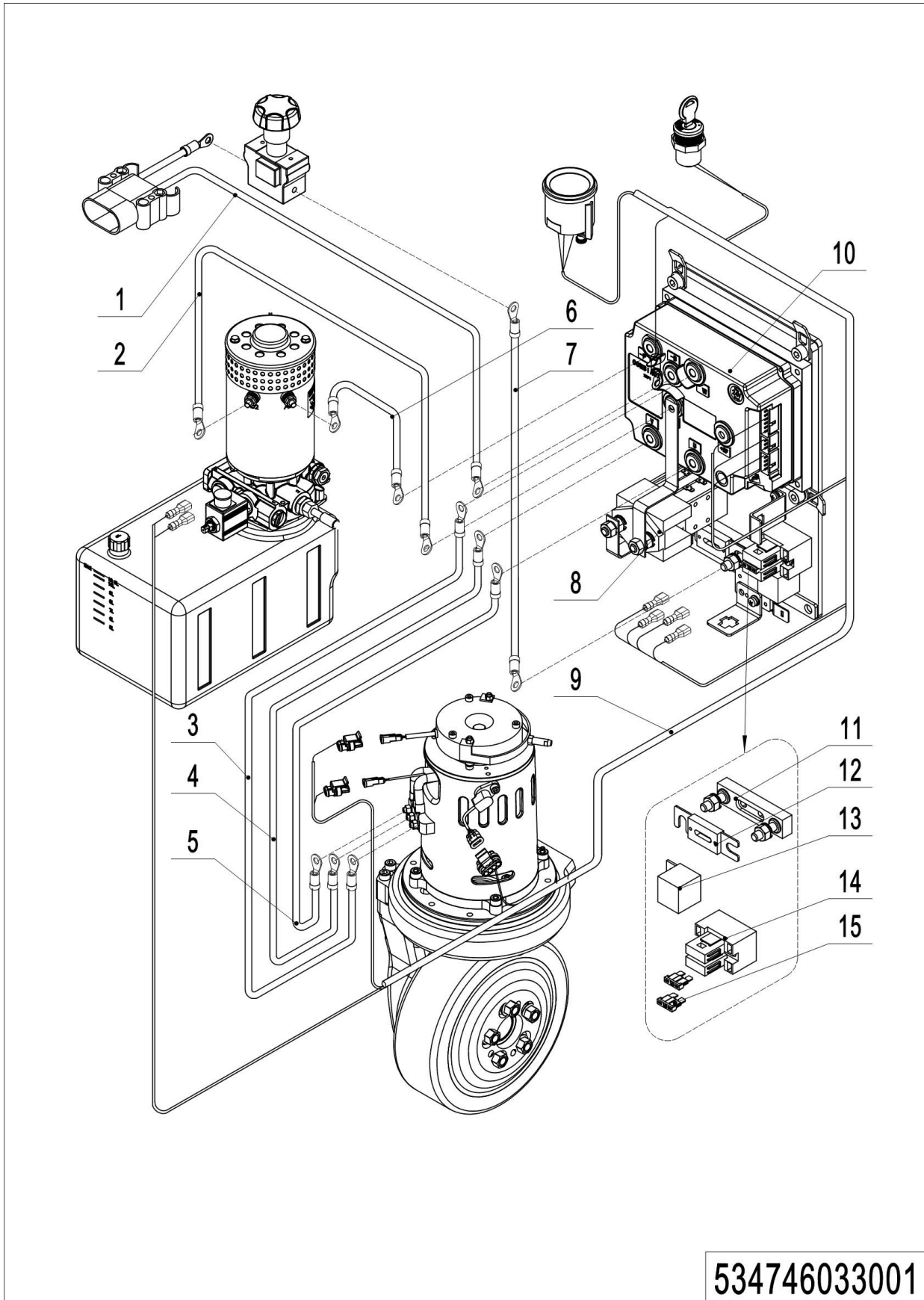
02 Display Assembly(EN1175:2020) (534746010002)



02 Display Assembly (EN1175:2020) (534746010002)

No.	Item Code	Mark	Item Description	Qty.	Substitute	Note
1	920200100001		Emergency Button	1		
1.01	910200500016		Screw	2		
1.02	505698520029		Button	1		
1.03	910300100002		Nut	2		
1.04	505698520030		Proximity Switch	1		
2	921100100116		Display	1		
3	505634010000		Key Switch	1		
3	505634010001		Key Switch	1		Only for lithium battery
3.01	505698520031		Key	1		
4	534710020004		Panel	1		
5	910200400010		Screw	2		
6	910200200036		Screw	4		
7	910400100005		Flat Washer	4		
8	534710020005		Fixing Base	1		
9	534710010000		Mounting Plate	1		
10	910201300001		Screw	4		
11	910200200055		Screw	2		
12	910400500006		Spring Washer	2		
13	910400100006		Flat Washer	2		

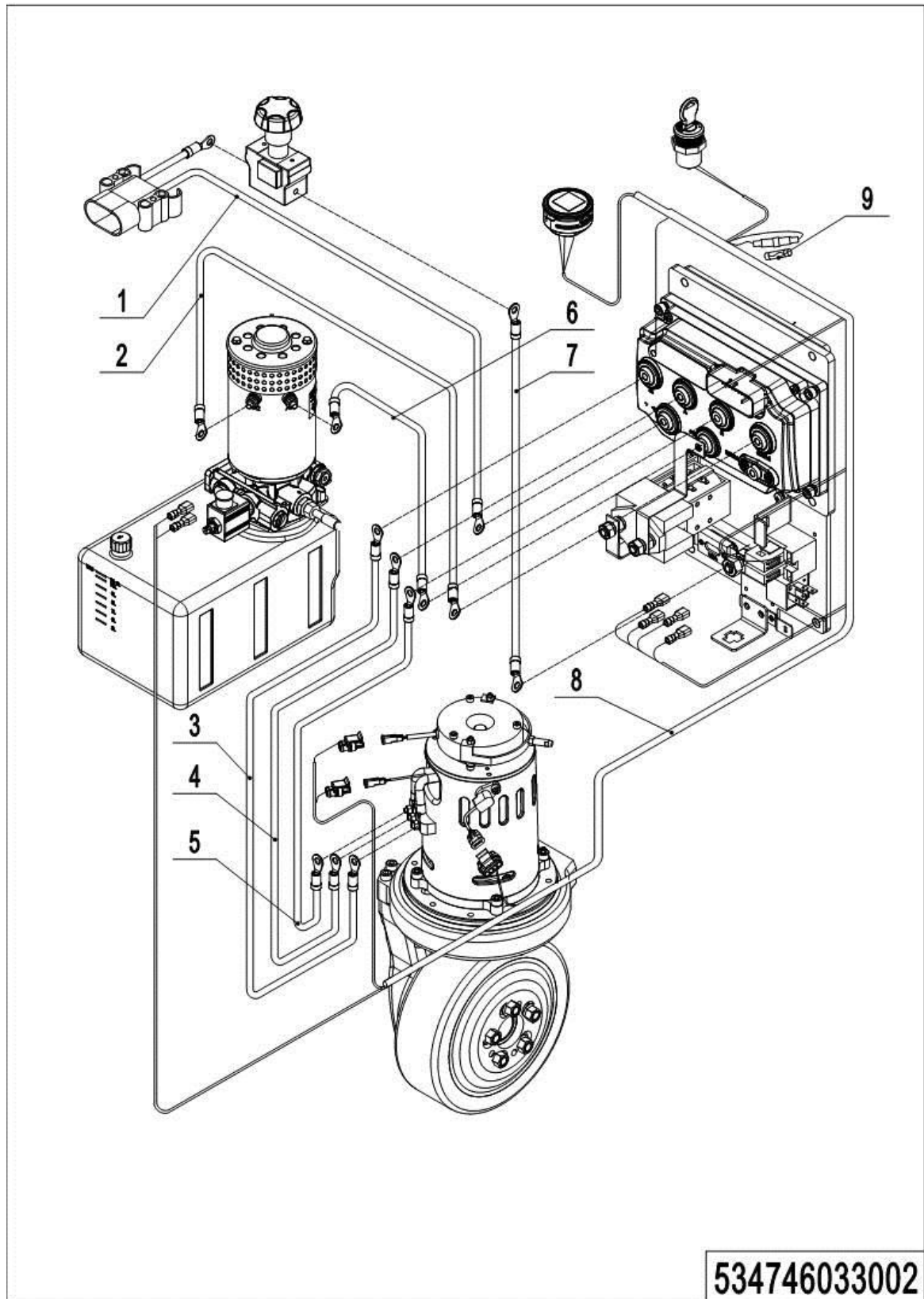
03 Electronic Components (534746033001)



534746033001

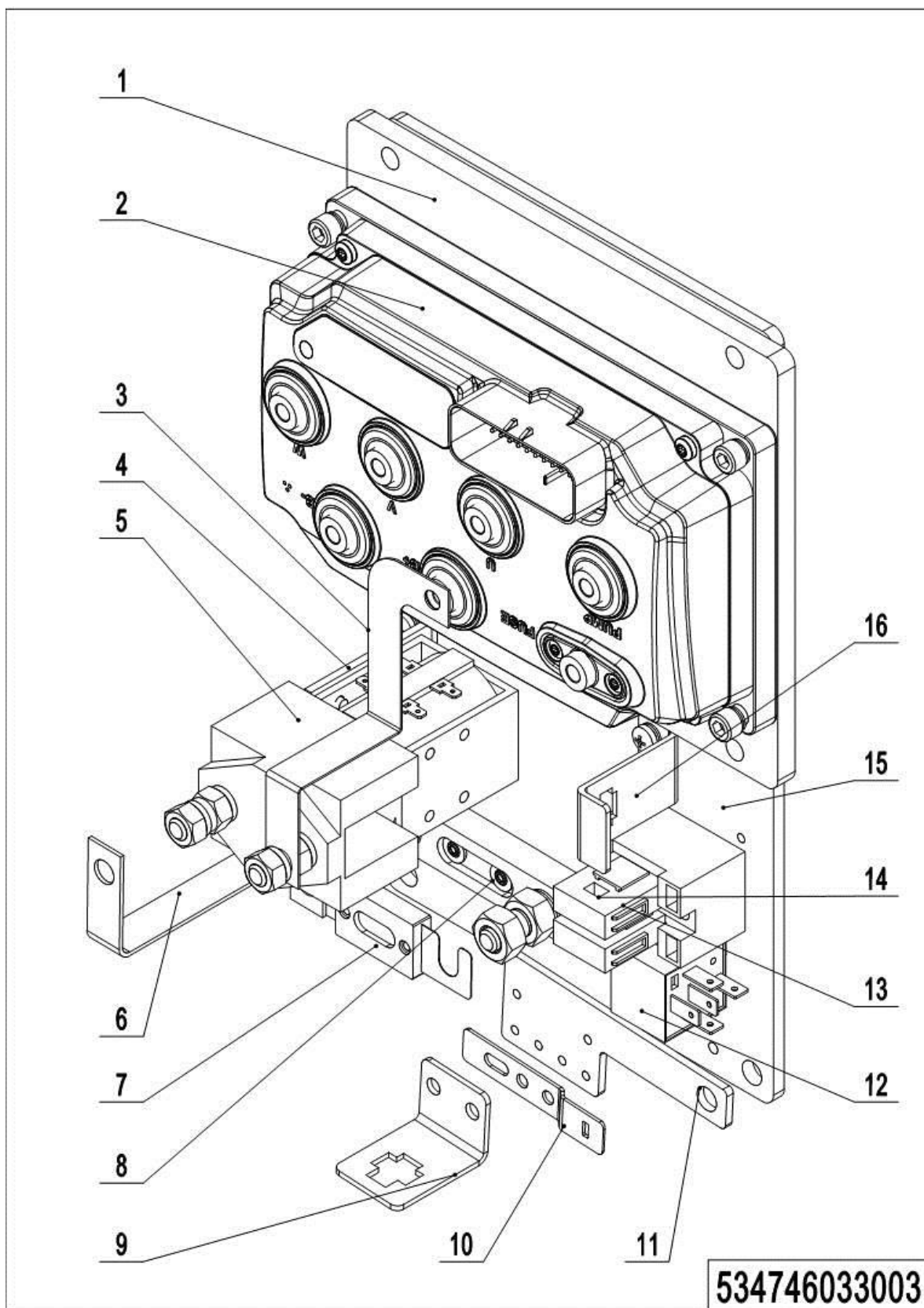
03 Electronic Components (534746033001)

No.	Item Code	Mark	Item Description	Qty.	Substitute	Note
1	534733010008		Wire Harness	1		
2	534433010000		Cable	1		
3	534733010005		Cable	1		
4	534733010004		Cable	1		
5	534733010003		Cable	1		
6	534433010001		Cable	1		
7	534733010009		Cable	1		
8	920700100002		Contactor	1		
9	534733010000		Wire Harness	1		
10	921400100048		Controller	1		
11	920100400002		Fuse Holder	1		
12	920100100013		Fuse350A	1		
13	920800100001		Relay	1		
14	920100400005		Fuse Holder	1		
15	920100200002		Fuse10A	2		

04 Electronic Components(EN1175:2020) (534746033002)

04 Electronic Components (EN1175:2020) (534746033002)

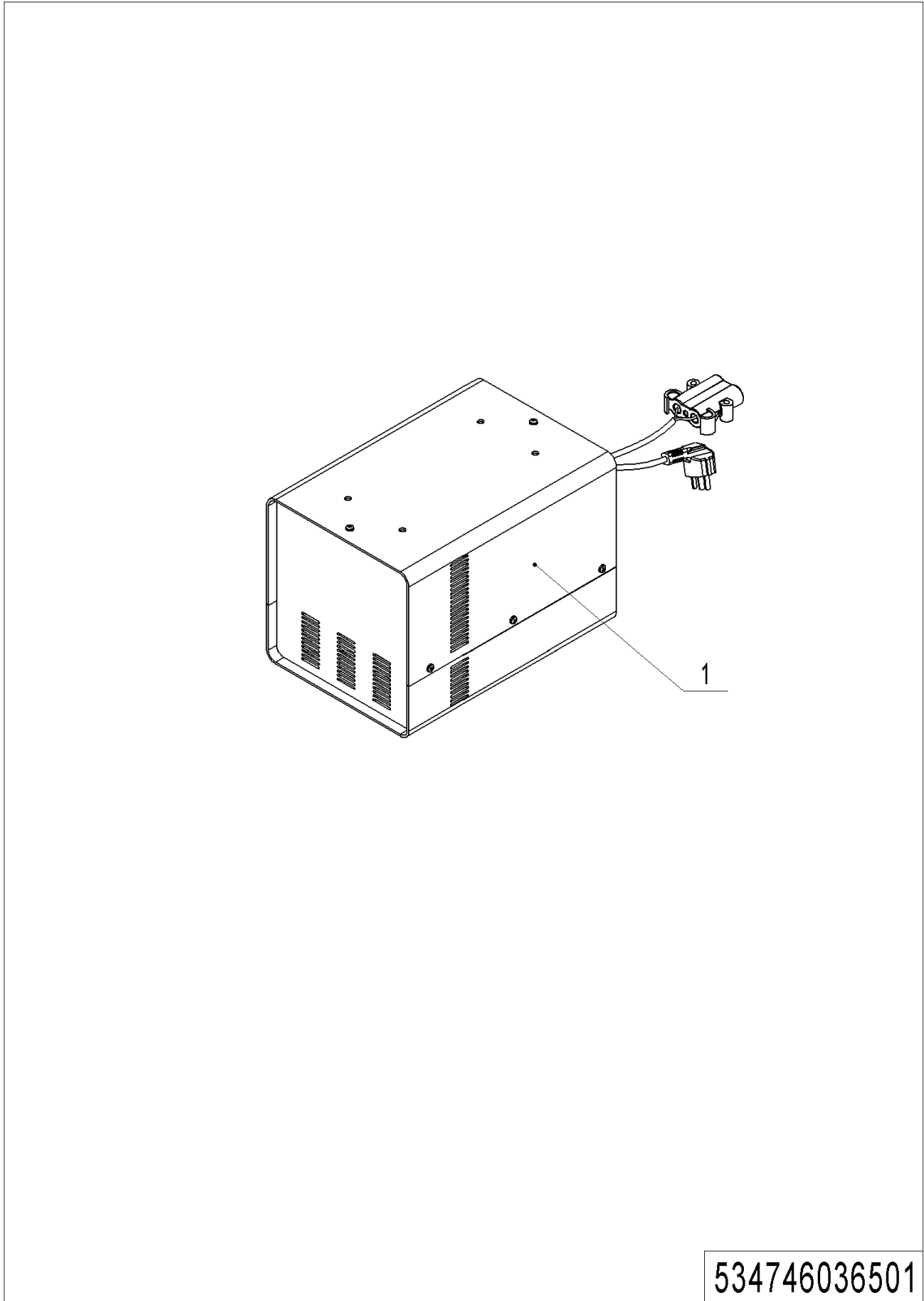
No.	Item Code	Mark	Item Description	Qty.	Substitute	Note
1	534733010031		Wire Harness	1		
1	534733010042		Wire Harness	1		Only for lithium battery
2	534733010033		Cable	1		
3	534733010034		Cable	1		
4	534733010027		Cable	1		
5	534733010028		Cable	1		
6	534733010029		Cable	1		
7	534733010009		Cable	1		
8	534733010026		Wire Harness	1		
9	920100300001		Fuse 0.5A	1		

05 Electric control assembly (534746033003) (EN1175:2020)

1= Supply as package. 2= Supply with constraints. 3= Phasing-out supply. 4= Supply as assembly. 5= Check other tables.

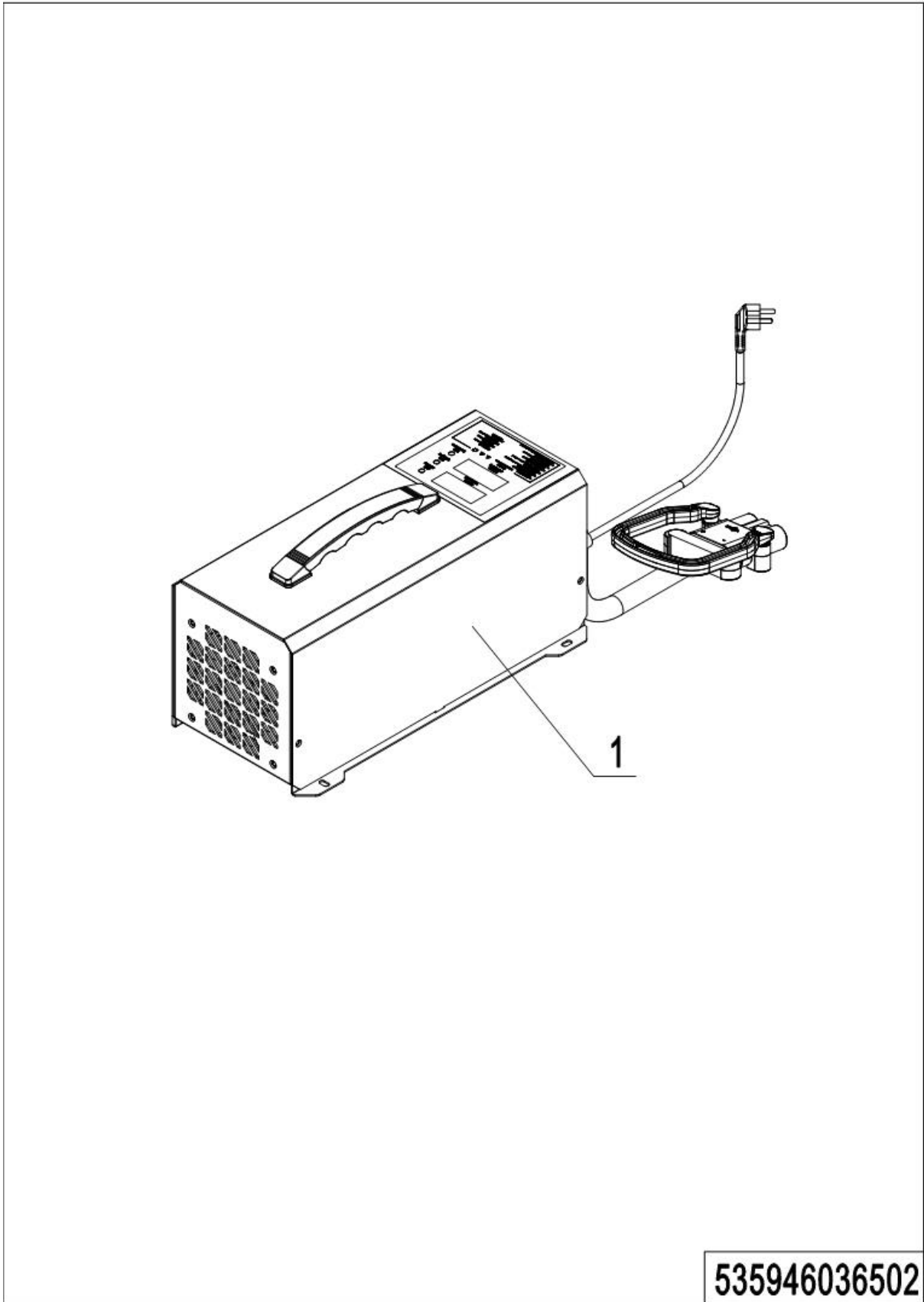
05 Electric control assembly (534746033003)

No.	Item Code	Mark	Item Description	Qty.	Substitute	Note
1	534733020003		Aluminium plate	1		
2	921400100124		Controller	1		
3	534733020004		Copper bar	1		
4	921300400004		Fixed mount	1		
5	920700100002		Contactactor	1		
6	534733020002		Copper bar	1		
7	920100100013		Fuse350A	1		
8	920100400002		Fuse Holder	1		
9	921300300002		Fixed mount	1		
10	921300300005		Fixed mount	1		
11	921300300008		Fixed mount	1		
12	920800100011		Relay	1		
13	920100400005		Fuse Holder	1		
14	920100200002		Fuse10A 10A	1		
15	534721520027		Mounting plate	1		
16	921300300001		Fixed mount	1		

06 Charger (534746036501)

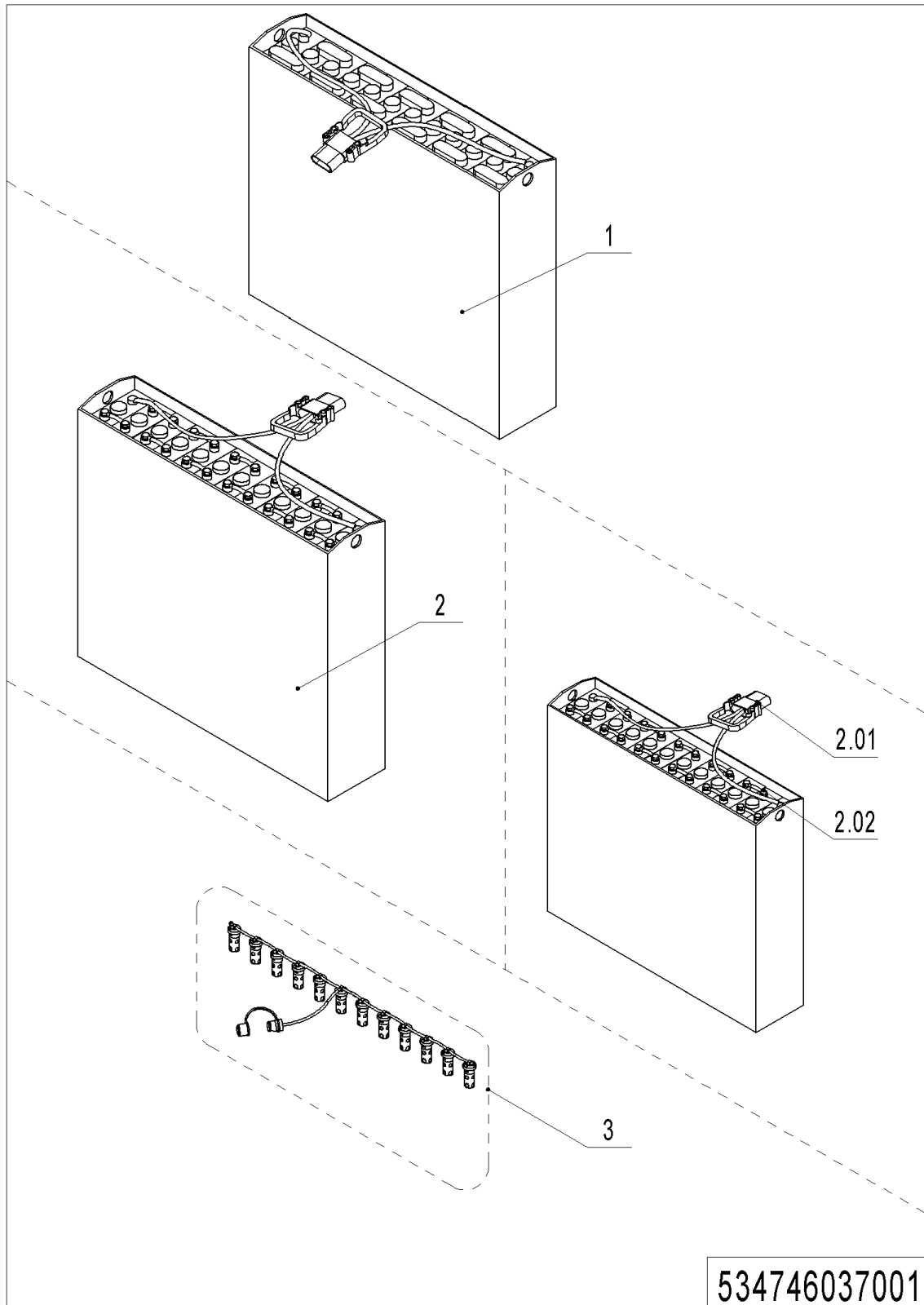
06 Charger (534746036501)

No.	Item Code	Mark	Item Description	Qty.	Substitute	Note
1	921000200183		Charger24V35A(Aisa-CHN)	1		
1	921000200184		Charger24V35A(Aisa-ENG)	1		
1	921000200185		Charger24V35A (EU)	1		
1	921000200186		Charger24V35A (ENG)	1		
1	921000200187		Charger24V35A (AUS)	1		
1	921000200188		Charger24V35A (USA)	1		
1	921000200365		Charger24V35A (ISR)	1		
1	921000200361		Charger24V35A (ITA)	1		
1	921000200448		Charger24V35A (ARG)	1		
1	921000200564		Charger24V35A (PHI)	1		
1	921000200598		Charger24V35A (USA220V)	1		

07 Charger (Lithium battery) (535946036502)

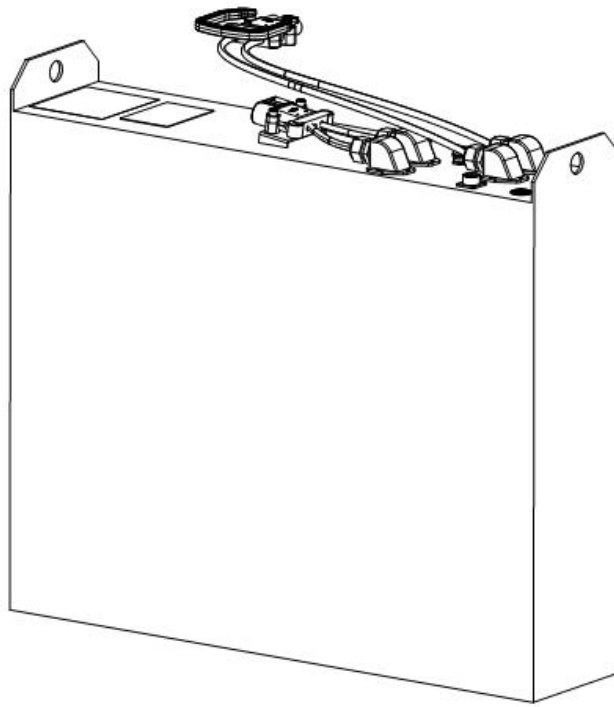
07 Charger (Lithium battery) (535946036502)

No.	Item Code	Mark	Item Description	Qty.	Substitute	Note
1	921000200723		Charger24V50A(USA)	1		REMA
1	921000200785		Charger24V50A(USA)	1		Anderson
1	921000200522		Charger24V60A (Aisa-CHN)	1		
1	921000200523		Charger24V60A (Aisa-ENG)	1		
1	921000200524		Charger24V60A (EU)	1		
1	921000200525		Charger24V60A (ENG)	1		
1	921000200526		Charger24V60A (AUS)	1		
1	921000200527		Charger24V60A (ISR)	1		
1	921000200528		Charger24V60A (ARG)	1		
1	921000200529		Charger24V60A (RSA)	1		small plug
1	921000200530		Charger24V60A (USA)	1		single-phase
1	921000200631		Charger24V60A (THA)	1		
1	921000200663		Charger24V60A (RSA)	1		large plug
1	921000200724		Charger24V60A (BRA)	1		
1	921000200690		Charger24V60A (USA)	1		Three-phase
1	921000200649		Charger24V60A (Aisa-CHN)	1		
1	921000200533		Charger24V80A (EU)	1		
1	921000200534		Charger24V80A (ENG)	1		
1	921000200535		Charger24V80A (AUS)	1		
1	921000200536		Charger24V80A (ISR)	1		
1	921000200537		Charger24V80A (ARG)	1		
1	921000200538		Charger24V80A (RSA)	1		small plug
1	921000200539		Charger24V80A (USA)	1		ANDSON80
1	921000200652		Charger24V80A (Aisa-CHN)	1		
1	921000200723		Charger24V50A(USA)	1		REMA
1	921000200785		Charger24V50A(USA)	1		Anderson

08 Traction Battery (534746037001)

08 Traction Battery (534746037001)

No.	Item Code	Mark	Item Description	Qty.	Substitute	Note
1	534737010000		Battery 24V270Ah (welded)	1		
1	920600100593		Battery 24V270Ah (welded)			EN1175:2020
2	534737010001		Battery 24V270Ah (bolted)			
2	534737010002		Battery 24V270Ah (bolted)	1		NO acid
2	920600100517		Battery 24V270Ah (bolted)	1		EN1175:2020
2.01	920400100007		Connector	1		For all battery
2.02	505698520000		Bolt	24		For bolted battery
3	535937110000		hydration system	1		For bolted battery

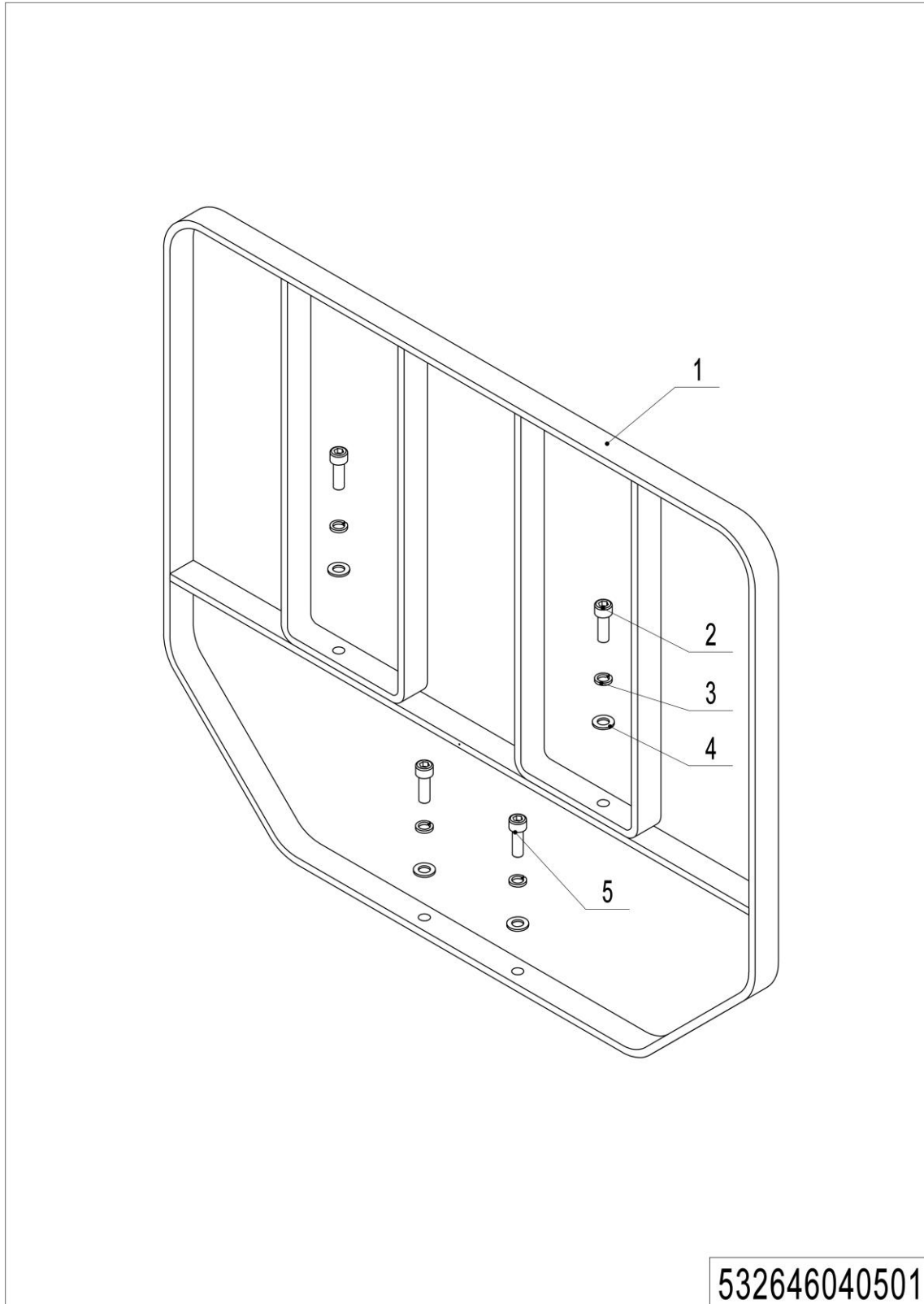
09 Traction Battery (Lithium battery) (535946037002)**535946037002**

09 Traction Battery (Lithium battery) (535946037002)

No.	Item Code	Mark	Item Description	Qty.	Substitute	Note
1	920600100342		Battery24V200Ah			
1	920600100340		Battery24V150Ah			

Chapter 7: Special Parts

01 Load Backrest (532646040501)

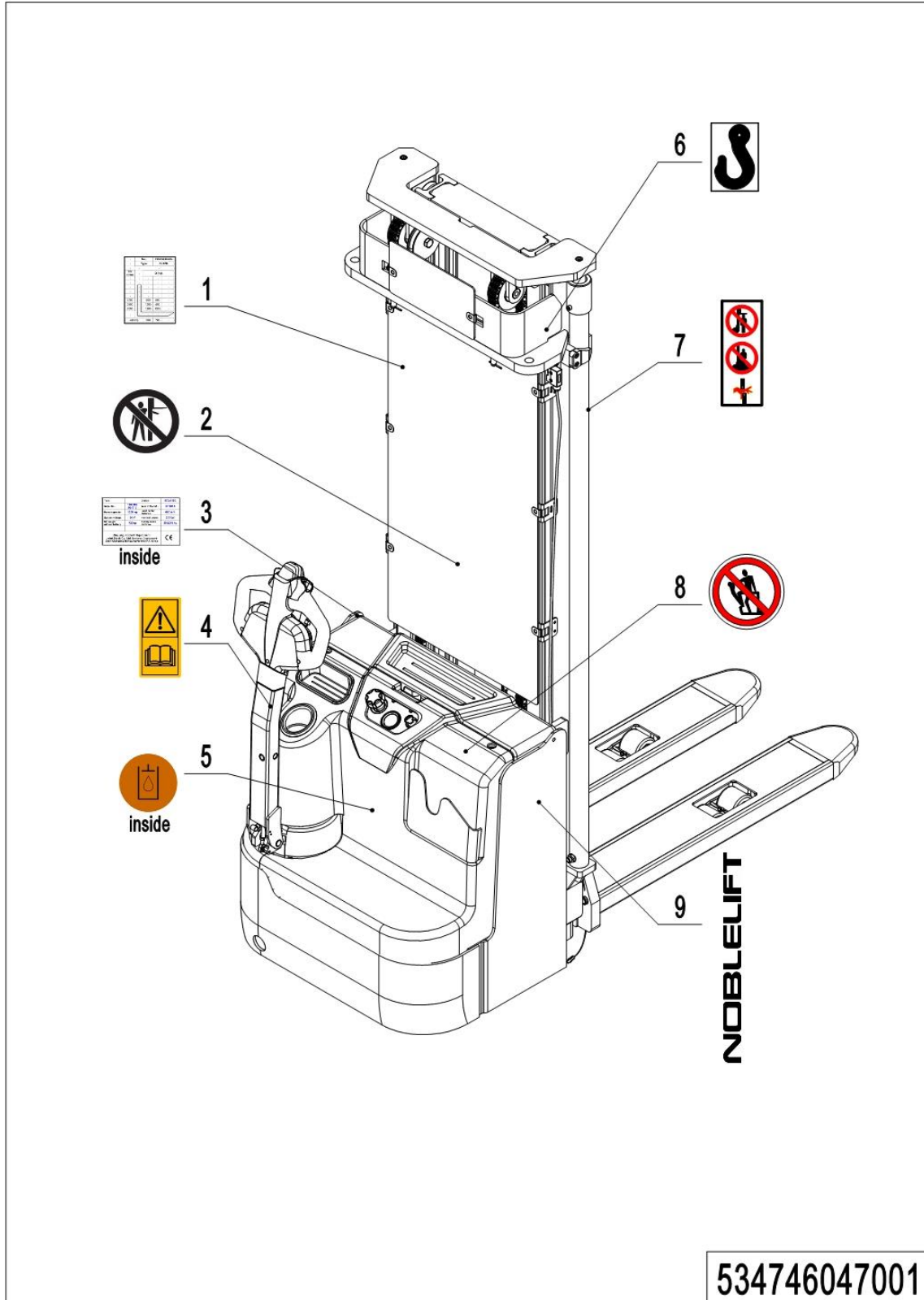


01 Load Backrest (532646040501)

No.	Item Code	Mark	Item Description	Qty.	Substitute	Note
1	532640510001	2	Load Backrest	1		
2	910200200076	1	Screw	2		
3	910400500007	1	Spring Washer	4		
4	910400100007	1	Flat Washer	4		
5	910200200078	1	Screw	2		

Chapter 8: Others

01 Label and Decal (EU) (534746047001)

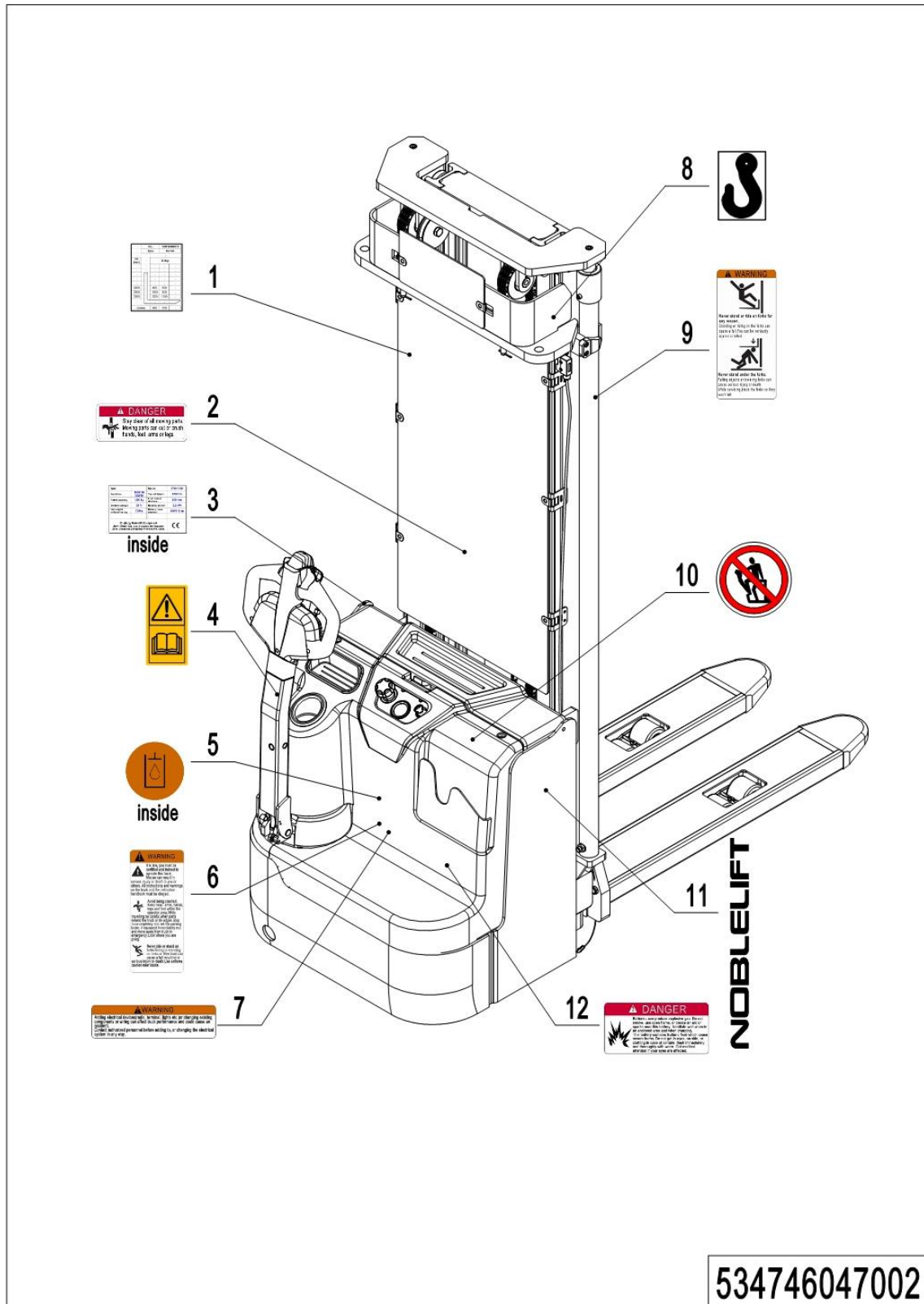


1= Supply as package. 2= Supply with constraints. 3= Phasing-out supply. 4= Supply as assembly. 5= Check other tables.

01 Label and Decal (EU) (534746047001)

No.	Item Code	Mark	Item Description	Qty.	Substitute	Note
1	534747520000		Load Capacity Diagram	1		
2	941200100006		Label	1		
3	534747520009		Identification Plat	1		
4	941200300002		Label	1		
5	941200300003		Label	1		
6	941200300001		Label	2		
7	941200100004		Label	2		
8	941200100003		Label	1		
9	941200500001		Label	2		Special label

02 Label and Decal (US) (534746047002)



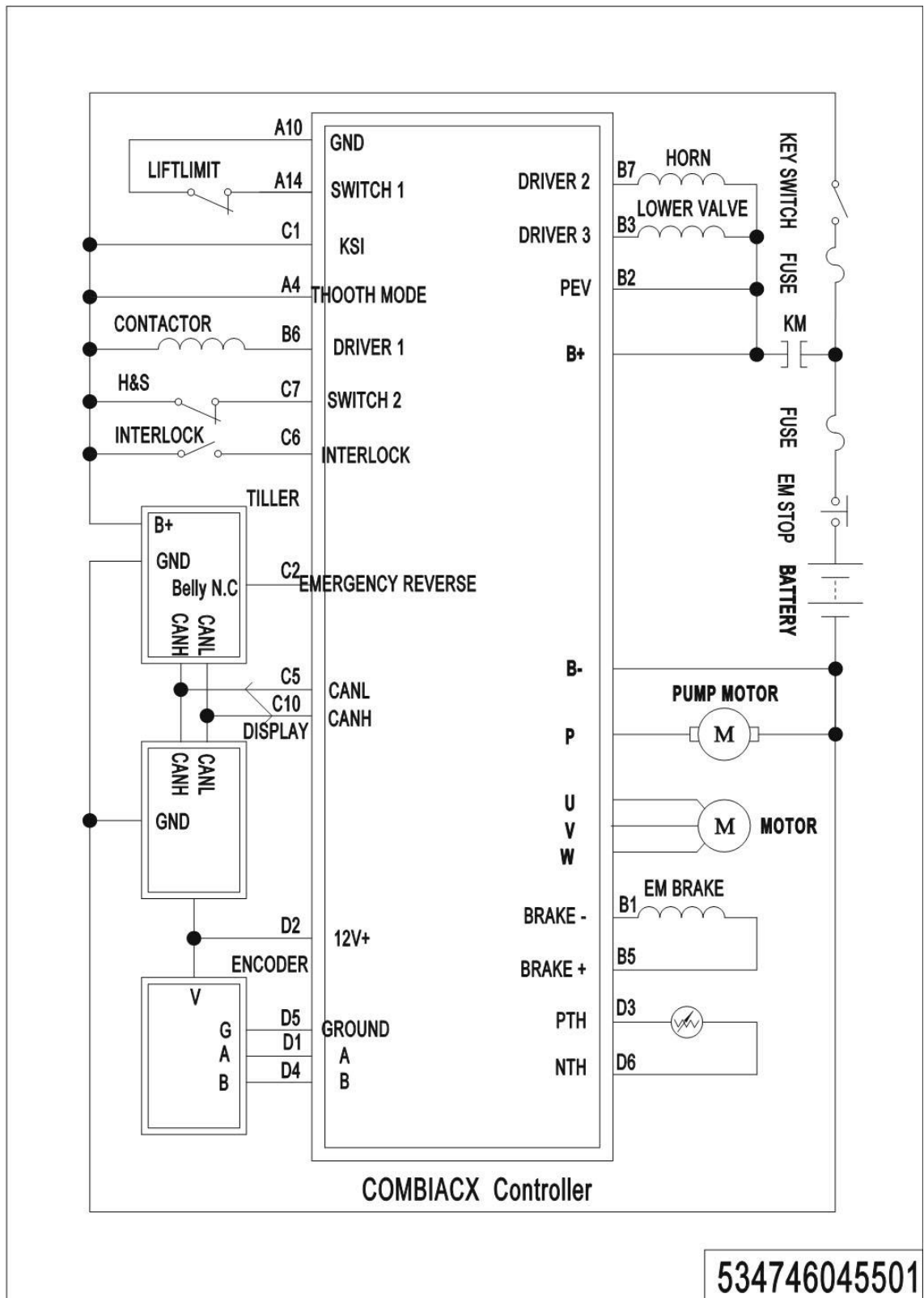
1= Supply as package. 2= Supply with constraints. 3= Phasing-out supply. 4= Supply as assembly. 5= Check other tables.

02 Label and Decal (US) (534746047002)

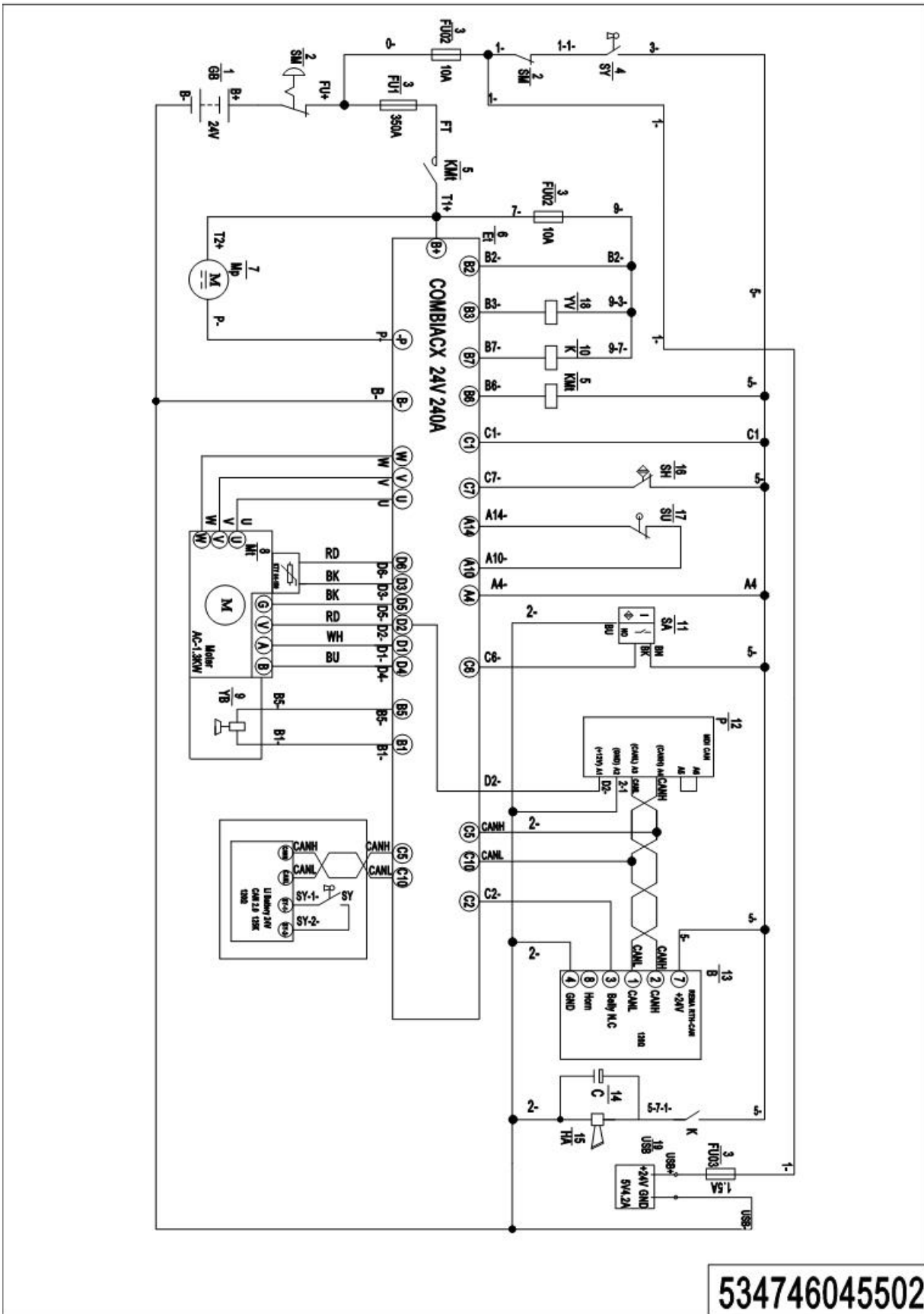
No.	Item Code	Mark	Item Description	Qty.	Substitute	Note
1	534747520000		Load Capacity Diagram	1		
2	941200100014		Label	1		
3	534747520009		Identification Plat	1		
4	941200300002		Label	1		
5	941200300003		Label	1		
6	941200100009		Label	1		
7	941200100010		Label	1		
8	941200300001		Label	2		
9	941200100016		Label	2		
10	941200100011		Label	1		
11	941200500001		Label	2		Special label
12	941200100013		Label	1		

Appendix

01 Electrical Circuit Diagram (534746045501)

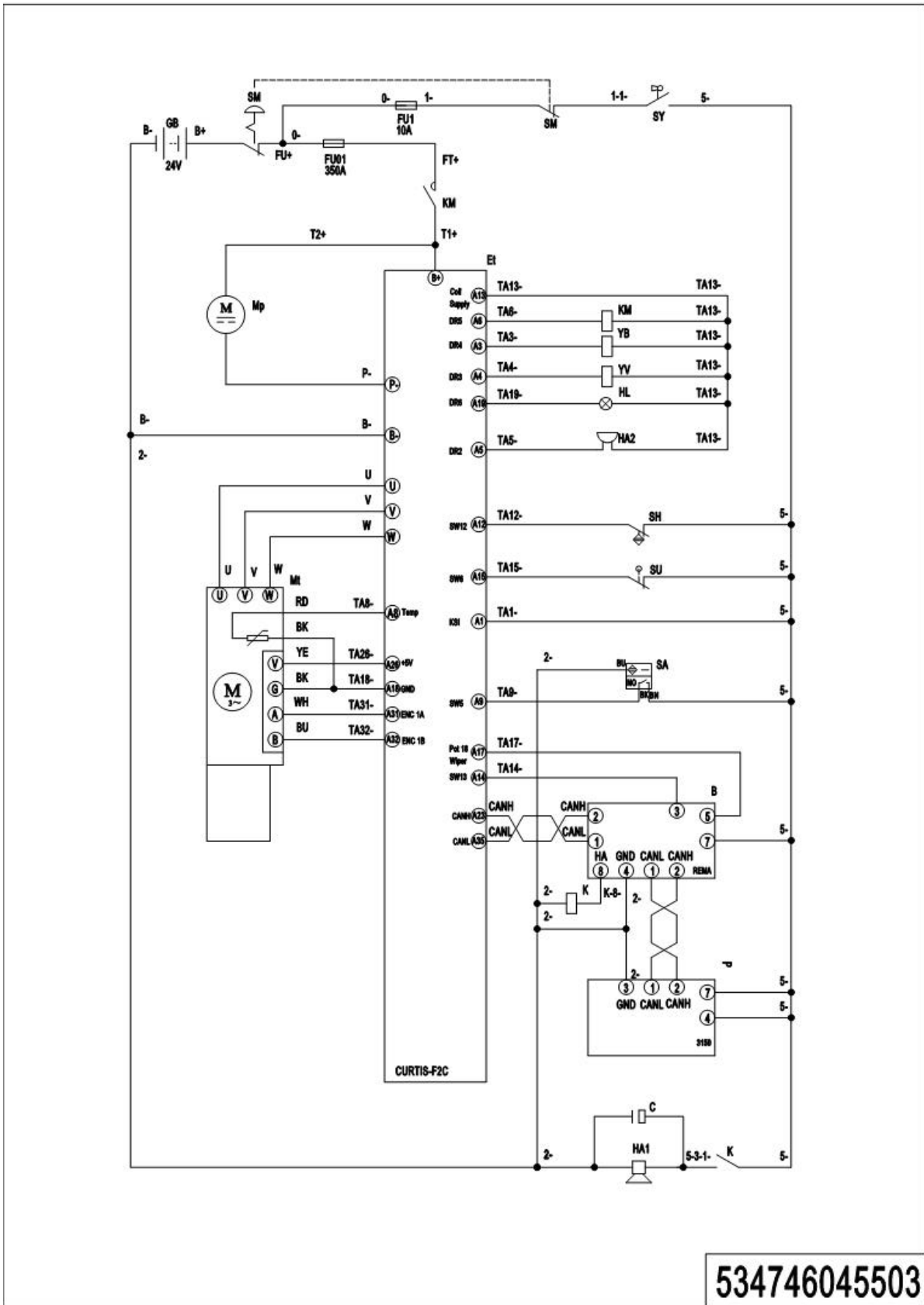


02 Electrical Circuit Diagram (lithium battery) (534746045501)



1= Supply as package. 2= Supply with constraints. 3= Phasing-out supply. 4= Supply as assembly. 5= Check other tables.

03 Electrical Circuit Diagram(EN1175:2020) (534746045503)

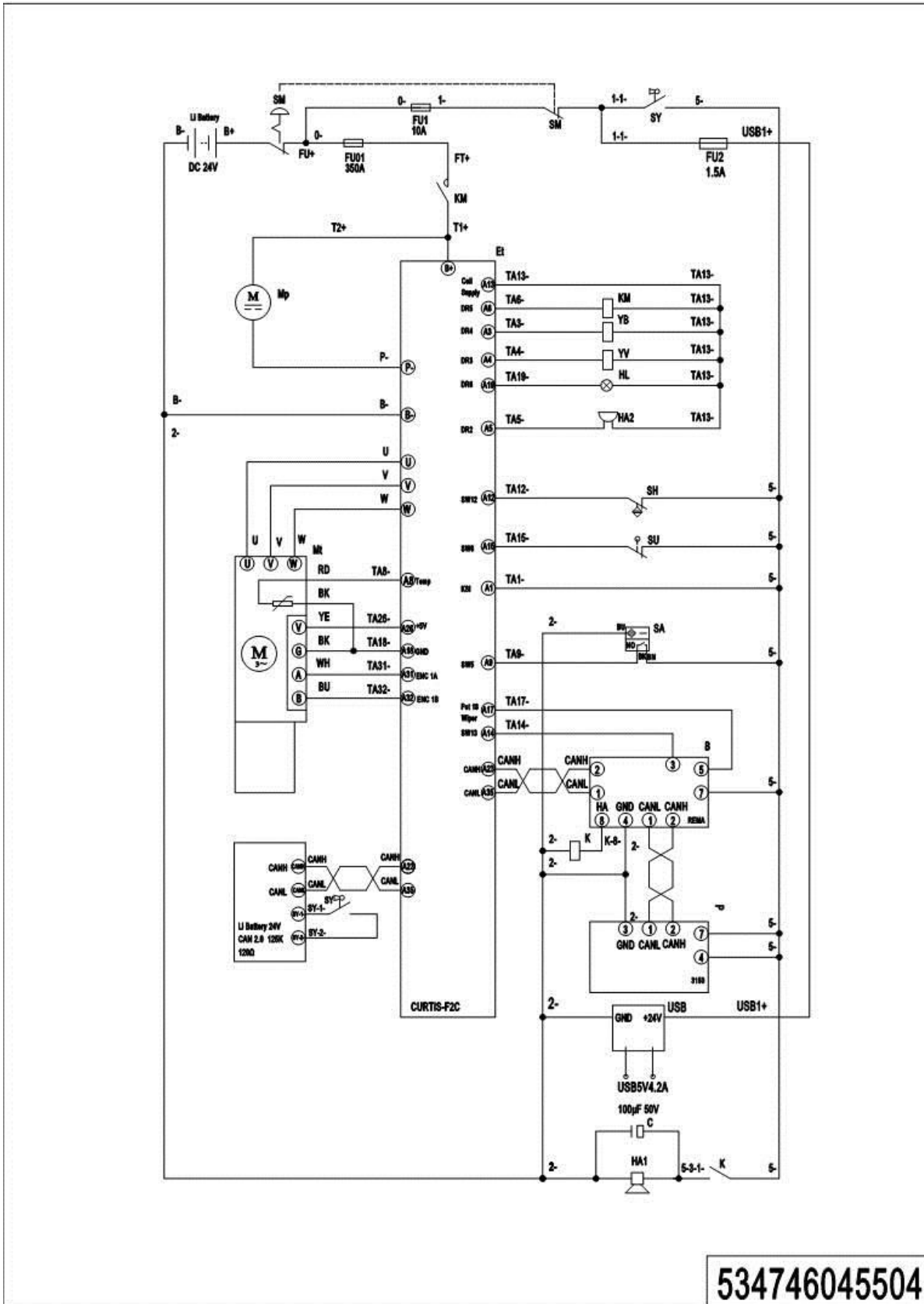


534746045503

1= Supply as package. 2= Supply with constraints. 3= Phasing-out supply. 4= Supply as assembly. 5= Check other tables.

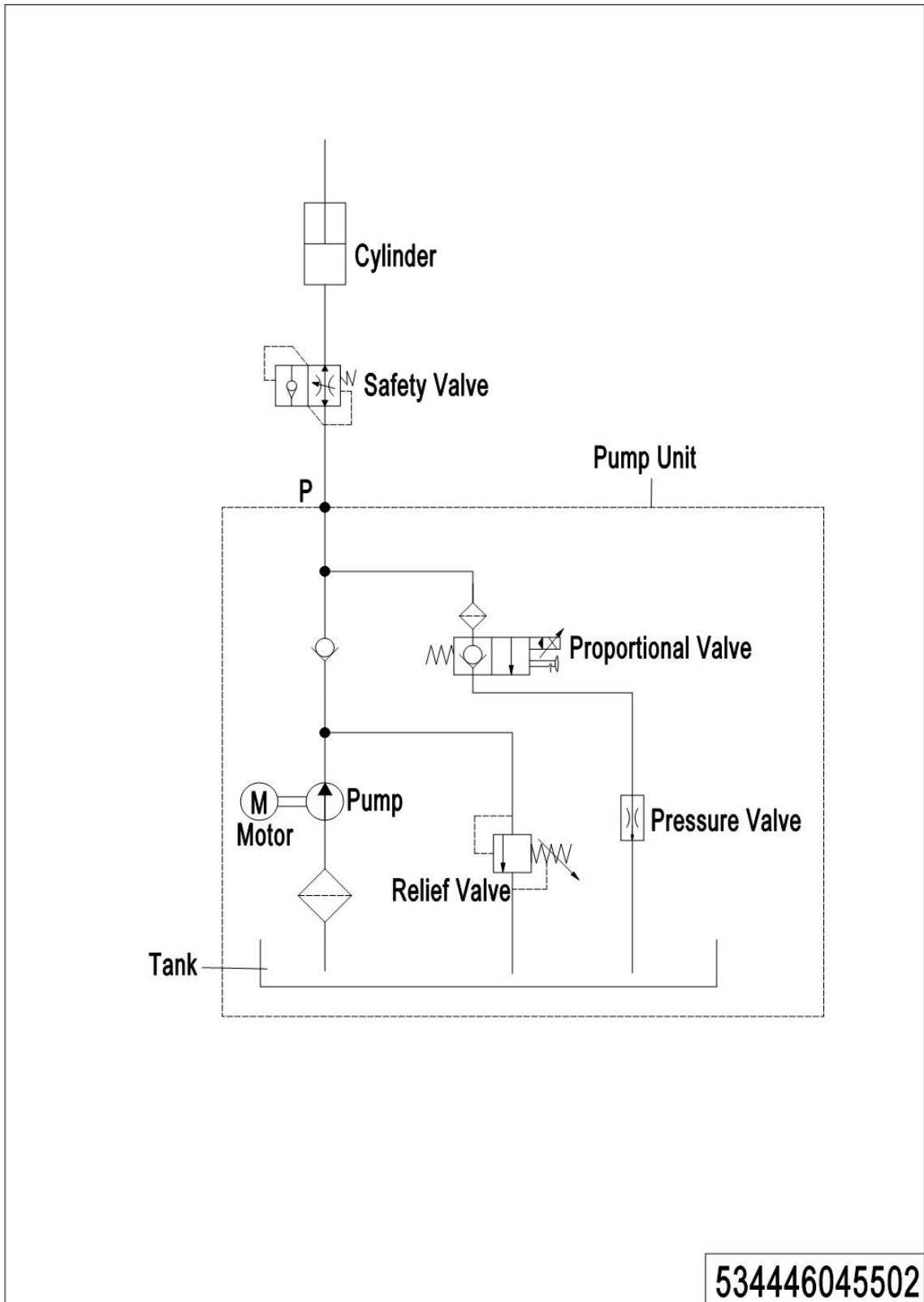
04 Electrical Circuit Diagram (lithium battery)

(EN1175:2020)(534746045504)



534746045504

1= Supply as package. 2= Supply with constraints. 3= Phasing-out supply. 4= Supply as assembly. 5= Check other tables.

05 Hydraulic Circuit Diagram (534446045502)

06 Consumable Parts List

No.	Item Code	Item Description	Qty.	Chapter/ Section/ Number
1	940500200005	Bushing	2	Chapter 1/01/8
2	940300400005	WheelΦ230x70	1	Chapter 1/02/6
3	534798520026	Carbon Brush	1	Chapter 2/02/2
4	535998510013	Carbon Brush	1	Chapter 2/03/1
5	940200300004	Compound Roller	4	Chapter 3/03/1 第四章/01/37 Chapter 4/02/35 Chapter 4/03/44 Chapter 4/04/59
6	534798510005	Seal Kit	2	Chapter 4/04/7.01
7	920200300001	Microswitch	2	Chapter4/01/17 Chapter4/02/20 Chapter4/03/7 Chapter 4/04/40
8	535933510005	Switch	2	Chapter 4/01/25Chapter 4/02/30Chapter 4/03/22 Chapter 4/04/42
9	940200300001	Compound Roller	16	Chapter 3/03/1 Chapter 4/01/37 Chapter 4/02/35 Chapter 4/03/44 Chapter 4/04/59
10	534798510002	Seal Kit	2	Chapter 4/02/12. 01
11	534798510003	Seal Kit		Chapter 4/02/47. 01
12	534798510004	Seal Kit		Chapter 4/03/17. 01
13	534798510000	Seal Kit		Chapter 4/04/16. 01
14	534798510001	Seal Kit		Chapter 4/04/57. 01
15	534798510000	Seal Kit	2	Chapter 4/04/16.01
16	534798510001	Seal Kit	1	Chapter 5/04/57.01
17	505633510002	Proximity Switch	1	Chapter 3/03/13
18	940300300009	WheelΦ84x70	4	Chapter 5/03/1.01
19	910700200019	Bearing	10	Chapter 4/04/25 Chapter 5/03/1. 02 Chapter 5/04/4. 08
20	910700400004	Bearing	2	Chapter 5/04/4.03
21	940300300020	WheelΦ150x54	1	Chapter 5/04/4.07
22	505698520029	Button	1	Chapter 6/01/1.02 Chapter 6/02/1.02
23	920100300001	Fuse	1	Chapter 6/04/9
24	920100100013	Fuse	1	Chapter 6/03/12 Chapter 6/05/07
25	920100200002	Fuse	1	Chapter 6/03/15 Chapter 6/05/14