

NOBLELIFT



Scan QR Code for More

Reach Truck RT16B

PARTS MANUAL

212346020101



Version: V04

Truck Identification Number From:

Parts Manual RT16B-PM04EN

Please order spare parts from authorized dealers of Noblelift Intelligent Equipment Co., LTD.

In order to avoid wrong delivery, all the orders for spare parts should specify the following items:

- Truck model, identification number and manufacture year.
- Orders for spare parts of mast, hydraulic transmission unit, steering axle, motor, etc. shall indicate the manufacture number of these parts.
- Codes for Noblelift spare parts are shown in the table of parts manual. Please also pay attention to the description of supply status, order quantity, etc. (check the number listed in "Mark" column of the parts manual).

"Mark" Column:

The unmarked indicates the parts are in short supply cycle.

Number 1: supply as package. Indicating these that parts are small parts and seal parts, which are supplied in package unit and in short supply cycle.

Number 2: supply with constraints. Indicating that these spare parts are not in stock and will be prepared for production after receiving the order from customers, which are in long supply cycle.

Number 3: phasing-out supply. Indicating that these parts will be replaced by new parts due to technical improvements and the current stock will not be available when these parts run out. Please check the description of technical improvements notice.

Number 4: supply as assembly. Indicating that these parts are assembly parts defined by manufacture process, which cannot be supplied as a single part.

Number 5: check other tables.

This parts manual is the property of Noblelift and can be shared under the confidential agreement only, Noblelift has the right to claim for compensation of any unauthorized use. Copy without permission is not allowed. Figures in the manual are not limited by the original design. Noblelift Intelligent Equipment Co., LTD reserves the right to improve the products for continuous technology progress.

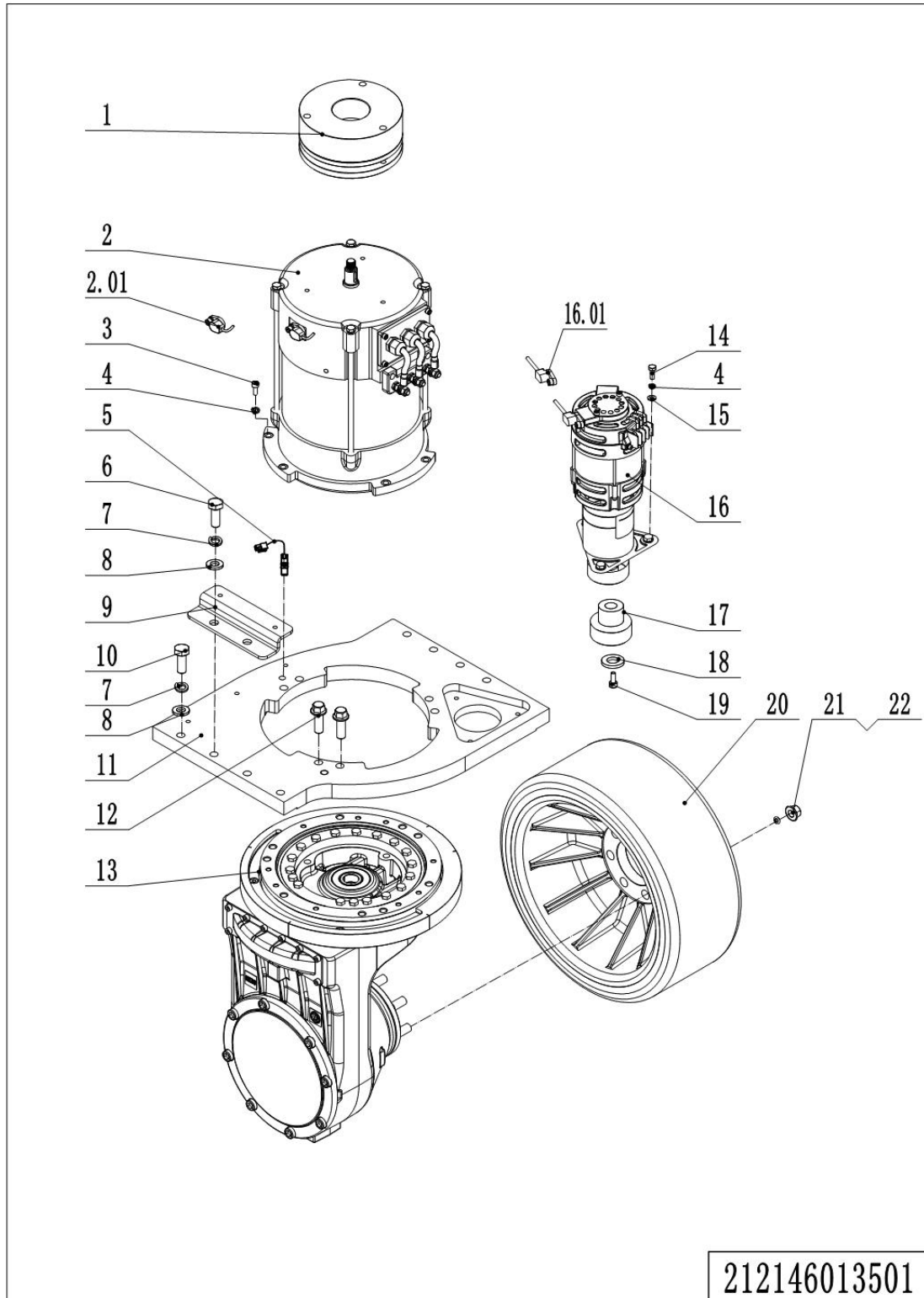
Table of Contents

| | |
|--|----|
| Chapter 1: Drive System..... | 5 |
| 01 Drive Unit (212146013501)..... | 5 |
| 02 Drive Unit (EN1175-2020)(213146013551)..... | 7 |
| 02 Drive Unit (EN1175-2020)(213146013551) Continuation..... | 9 |
| 03 Lift Unit (212146032501)..... | 11 |
| Chapter 2: Hydraulic System..... | 13 |
| 01 Hydraulic Circuit 3 (212346025001)..... | 13 |
| 01 Hydraulic Circuit 3 (212346025001) Continuation..... | 15 |
| 02 Hydraulic Circuit 4 (212346025501)..... | 17 |
| 02 Hydraulic Circuit 4 (212346025501) Continuation..... | 19 |
| 03 Reach Cylinder (212346020001)..... | 21 |
| 04 Oil Tank (212346019001)..... | 23 |
| 05 Tilt Cylinder (212146020501)..... | 25 |
| Chapter 3: Truck Frame..... | 27 |
| 01 Chassis (212346021501)..... | 27 |
| 01 Chassis (212346021501) Continuation..... | 29 |
| 02 Handle Assembly (212346021502)..... | 31 |
| 03 Overhead Guard (213346022001)..... | 33 |
| 04 Platform (212146018001)..... | 35 |
| 05 Seat (213346037501)..... | 37 |
| Chapter 4: Mast..... | 39 |
| 01 Outer Mast (212346044501)..... | 39 |
| 01 Outer Mast (212346044501) Continuation1..... | 41 |
| 01 Outer Mast (212346044501) Continuation 2..... | 43 |
| 02 Middle Mast (212146044502)..... | 45 |
| 03 Inner Mast (212346044503)..... | 47 |
| 03 Inner Mast (212346044503) Continuation..... | 49 |
| 04 Reach Frame (212346044504)..... | 51 |
| 04 Reach Frame (212346044504) Continuation..... | 53 |
| 05 Fork Carriage (212346044505)..... | 55 |
| 06 Mast Hydraulic Circuit 3 (212346044506)..... | 57 |
| 06 Mast Hydraulic Circuit 3 (212346044506) Continuation1..... | 59 |
| 06 Mast Hydraulic Circuit 3 (212346044506) Continuation 2..... | 61 |
| 06 Mast Hydraulic Circuit 3 (212346044506) Continuation 3..... | 63 |
| 07 Mast Hydraulic Circuit 4 (212346044507)..... | 65 |
| 07 Mast Hydraulic Circuit 4 (212346044507) Continuation1..... | 67 |
| 07 Mast Hydraulic Circuit 4 (212346044507) Continuation 2..... | 69 |
| 07 Mast Hydraulic Circuit 4 (212346044507) Continuation 3..... | 71 |
| Chapter 5: Steering System, Braking System, Wheels..... | 73 |
| 01 Steering Wheel (213346031501)..... | 73 |
| 01 Steering Wheel (213346031501) Continuation..... | 75 |
| 02 Brake Pedal (213346011501)..... | 77 |

| | |
|---|-----|
| 03 Brake Unit (212346011501) | 79 |
| 04 Load Wheel (212146017001) | 81 |
| Chapter 6: Electrical Parts | 83 |
| 01 Wire Harness (212346033001) | 83 |
| 02 Controller 1232SE (211046033002) | 85 |
| 03 Controller F4A(212346033010) | 87 |
| 04 Controller INMOTION(212346033011)..... | 89 |
| 05 Charger (212346036501) | 91 |
| Chapter 7: Special Parts | 95 |
| 01 Battery Holder (212146012501) | 95 |
| 01 Battery Holder (212146012501) Continuation | 97 |
| 02 Monitor (213346036001)..... | 99 |
| 03 Monitor(Wired power) (213346036002) | 101 |
| Chapter 8: Others | 103 |
| 01 Control Panel (212346010001)..... | 103 |
| 02 Labels and Decals (212346047001)..... | 105 |
| Appendix..... | 107 |
| 01 Electrical Circuit Diagram 1232SE..... | 107 |
| 02 Electrical Circuit Diagram F4A | 108 |
| 03 Electrical Circuit Diagram INMOTION..... | 109 |
| 04 Hydraulic Circuit Diagram | 110 |
| 05 Consumable Parts List | 111 |

Chapter 1: Drive System

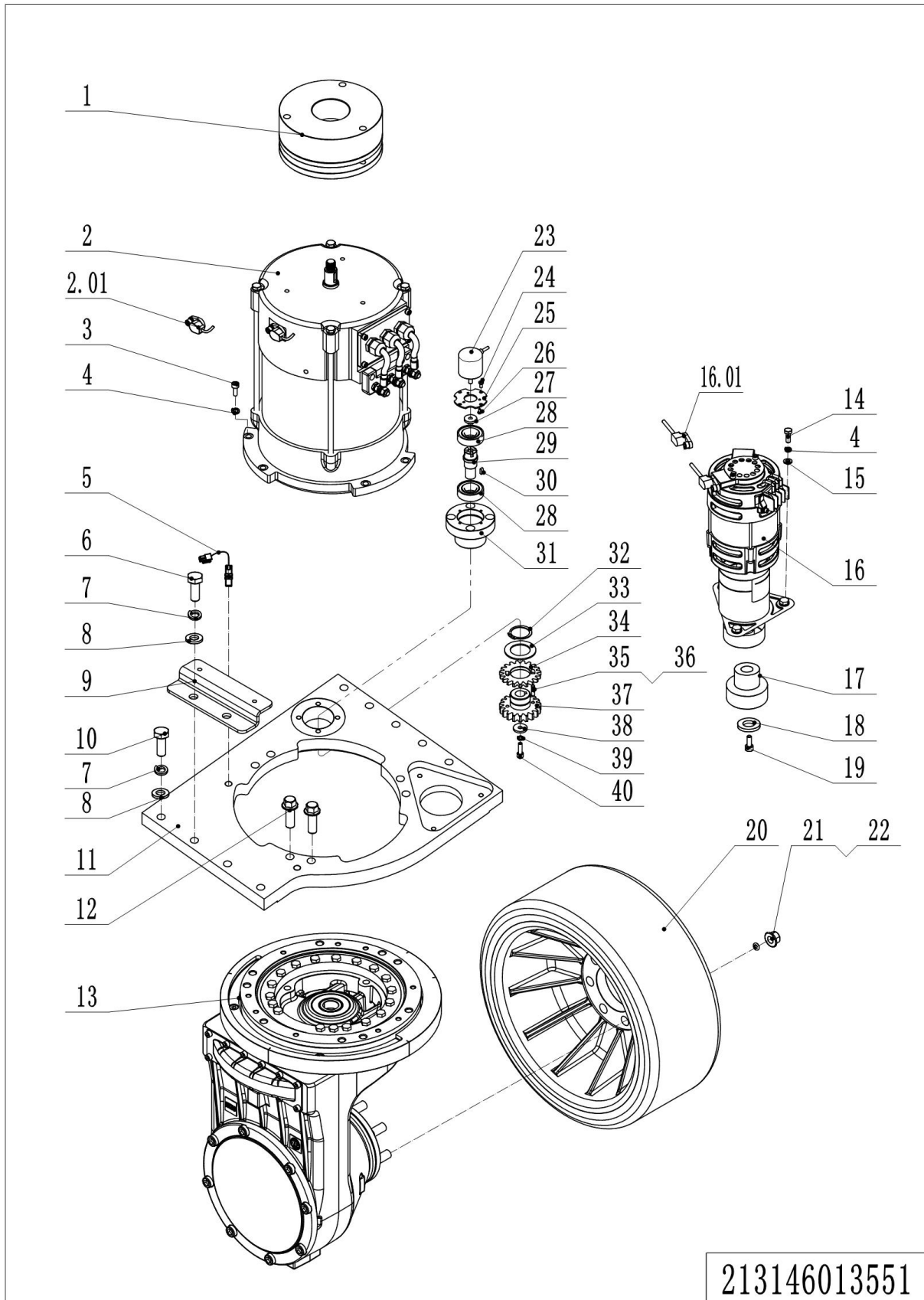
01Drive Unit (212146013501)



01Drive Unit(212146013501)

| No. | Item Code | Mark | Item Description | Qty. | Substitute | Note |
|-------|--------------|------|------------------|------|------------|------|
| 1 | 940700100003 | | Brake | 1 | | |
| 2 | 920900100110 | | Motor | 1 | | SCH |
| 2 | 920900100143 | | Motor | 1 | | |
| 2.01 | 921800200011 | | Encoder | 1 | | SCH |
| 2.01 | 921800200037 | | Encoder | 1 | | |
| 3 | 910200200061 | | Screw | 6 | | |
| 4 | 910400500006 | | Spring Washer | 10 | | |
| 5 | 212133510010 | | Proximity Switch | 1 | | |
| 6 | 910100300096 | | Bolt | 2 | | |
| 7 | 910400500008 | | Spring Washer | 8 | | |
| 8 | 910400100008 | | Flat Washer | 8 | | |
| 9 | 212121520047 | | Fixing Plate | 1 | | |
| 10 | 910100300095 | | Bolt | 7 | | |
| 11 | 213021520224 | | Plate | 1 | | |
| 12 | 910100800003 | | Bolt | 6 | | |
| 13 | 941000100007 | | Gearbox | 1 | | |
| 14 | 910400100006 | | Flat Washer | 3 | | |
| 15 | 910100300023 | | Bolt | 3 | | |
| 16 | 940900800001 | | Steering Unit | 1 | | |
| 16.01 | 921800200012 | | Encoder | 1 | | |
| 17 | 940998520071 | | Gear | 1 | | |
| 18 | 213313520001 | | Washer | 1 | | |
| 19 | 910200200058 | | Screw | 1 | | |
| 20 | 940300400041 | | WheelΦ343x140 | 1 | | |
| 21 | 940998520072 | | Nut | 7 | | |
| 22 | 940998520073 | | Spring Washer | 7 | | |

02Drive Unit (EN1175-2020)(213146013551)

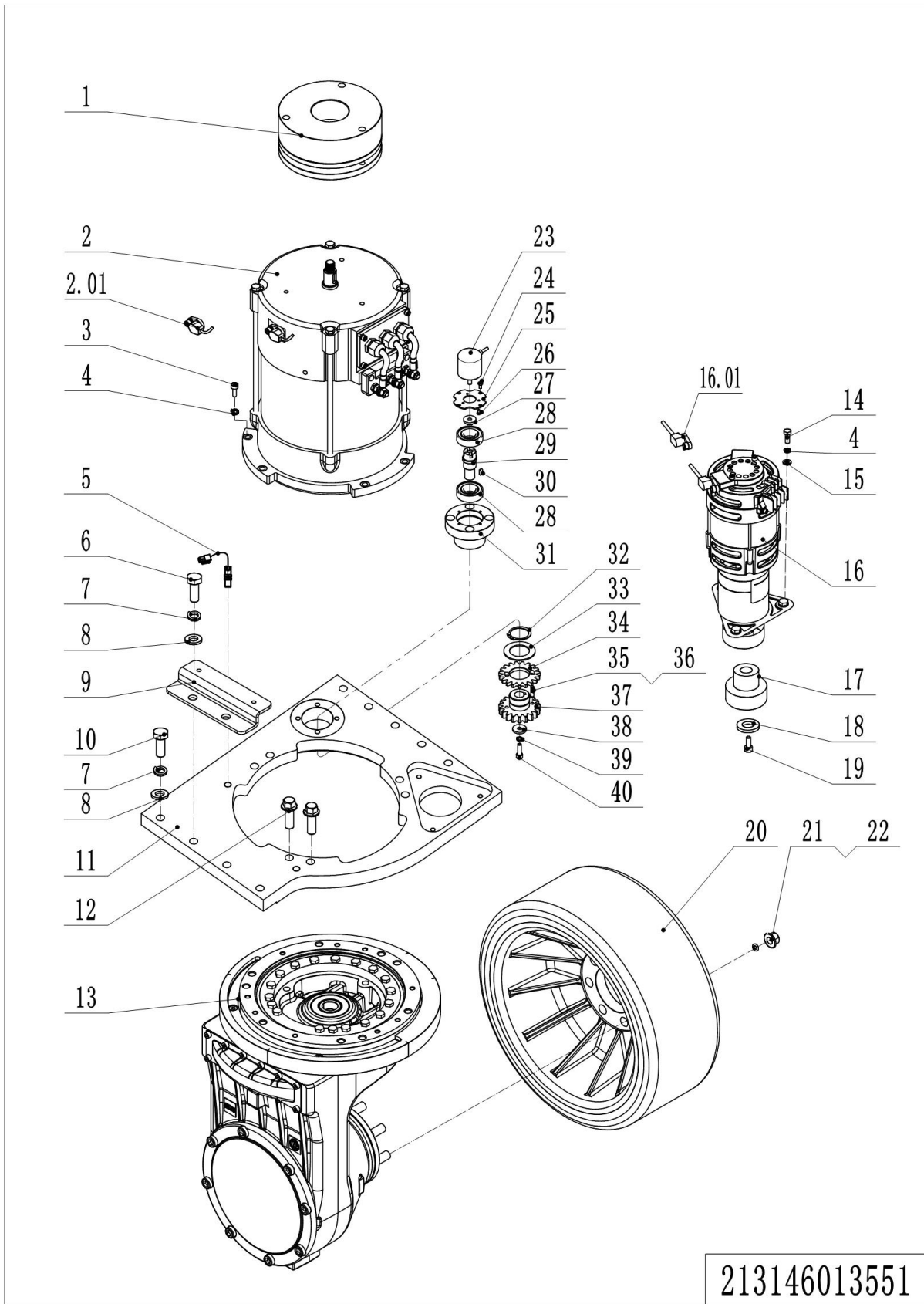


213146013551

02Drive Unit(EN1175-2020)(213146013551)

| No. | Item Code | Mark | Item Description | Qty. | Substitute | Note |
|-------|--------------|------|------------------|------|------------|------|
| 1 | 940700100003 | | Brake | 1 | | |
| 2 | 920900100110 | | Motor | 1 | | SCH |
| 2 | 920900100143 | | Motor | 1 | | |
| 2.01 | 921800200011 | | Encoder | 1 | | SCH |
| 2.01 | 921800200037 | | Encoder | 1 | | |
| 3 | 910200200061 | | Screw | 6 | | |
| 4 | 910400500006 | | Spring Washer | 10 | | |
| 5 | 212133510010 | | Proximity Switch | 1 | | |
| 6 | 910100300096 | | Bolt | 2 | | |
| 7 | 910400500008 | | Spring Washer | 8 | | |
| 8 | 910400100008 | | Flat Washer | 8 | | |
| 9 | 212121520047 | | Fixing Plate | 1 | | |
| 10 | 910100300095 | | Bolt | 7 | | |
| 11 | 213021520224 | | Plate | 1 | | |
| 12 | 910100800003 | | Bolt | 6 | | |
| 13 | 941000100007 | | Gearbox | 1 | | |
| 14 | 910400100006 | | Flat Washer | 3 | | |
| 15 | 910100300023 | | Bolt | 3 | | |
| 16 | 940900800001 | | Steering Unit | 1 | | |
| 16.01 | 921800200012 | | Encoder | 1 | | |
| 17 | 940998520071 | | Gear | 1 | | |
| 18 | 213313520001 | | Washer | 1 | | |
| 19 | 910200200058 | | Screw | 1 | | |
| 20 | 940300400041 | | WheelΦ343x140 | 1 | | |
| 21 | 940998520072 | | Nut | 7 | | |
| 22 | 940998520073 | | Spring Washer | 7 | | |
| 23 | 921800200029 | | Encoder | 1 | | |
| 24 | 910200200013 | | Screw | 4 | | |
| 25 | 212113520001 | | Mounting Plate | 1 | | |

02Drive Unit (EN1175-2020)(213146013551) Continuation



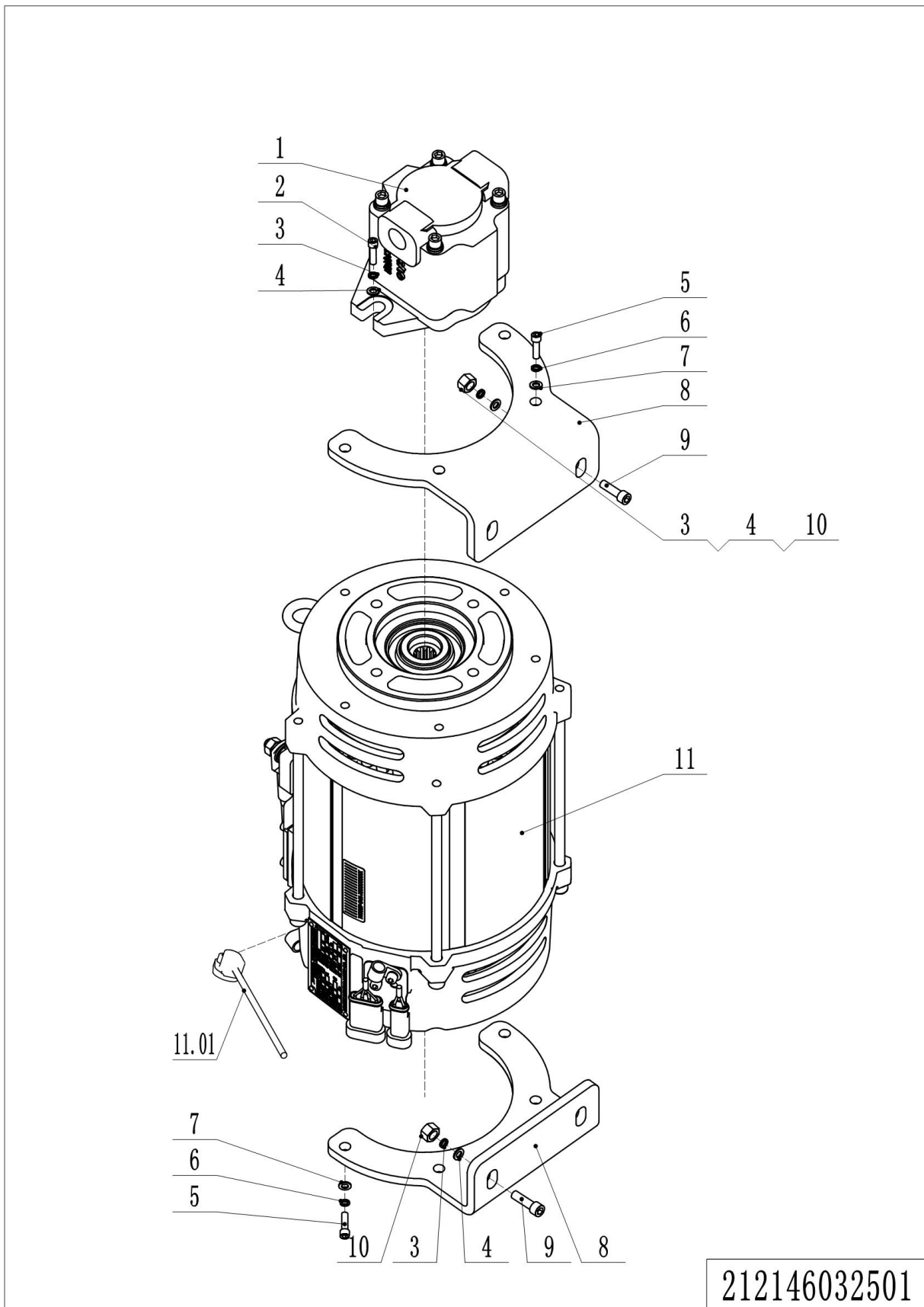
213146013551

1= Supply as package. 2= Supply with constraints. 3= Phasing-out supply. 4= Supply as assembly. 5= Check other tables.

02Drive Unit(EN1175-2020)(213146013551) Continuation

| No. | Item Code | Mark | Item Description | Qty. | Substitute | Note |
|-----|--------------|------|------------------|------|------------|------|
| 26 | 910200200001 | | Bolt | 3 | | |
| 27 | 505931520002 | | Link Block | 1 | | |
| 28 | 910700200004 | | Bearing | 2 | | |
| 29 | 212113520000 | | Axle | 1 | | |
| 30 | 910600800004 | | Flat Key | 1 | | |
| 31 | 212113520002 | | Bracket | 1 | | |
| 32 | 910401300017 | | Circlip | 1 | | |
| 33 | 212113520005 | | Press Plate | 1 | | |
| 34 | 212113520008 | | Gear | 1 | | |
| 35 | 910600100045 | | Cylindrical Pin | 1 | | |
| 36 | 212113520006 | | Spring | 1 | | |
| 37 | 212113520007 | | Gear | 1 | | |
| 38 | 212113520004 | | Press Plate | 1 | | |
| 39 | 910400500005 | | Spring Washer | 1 | | |
| 40 | 910200200036 | | Screw | 1 | | |

03Lift Unit (212146032501)



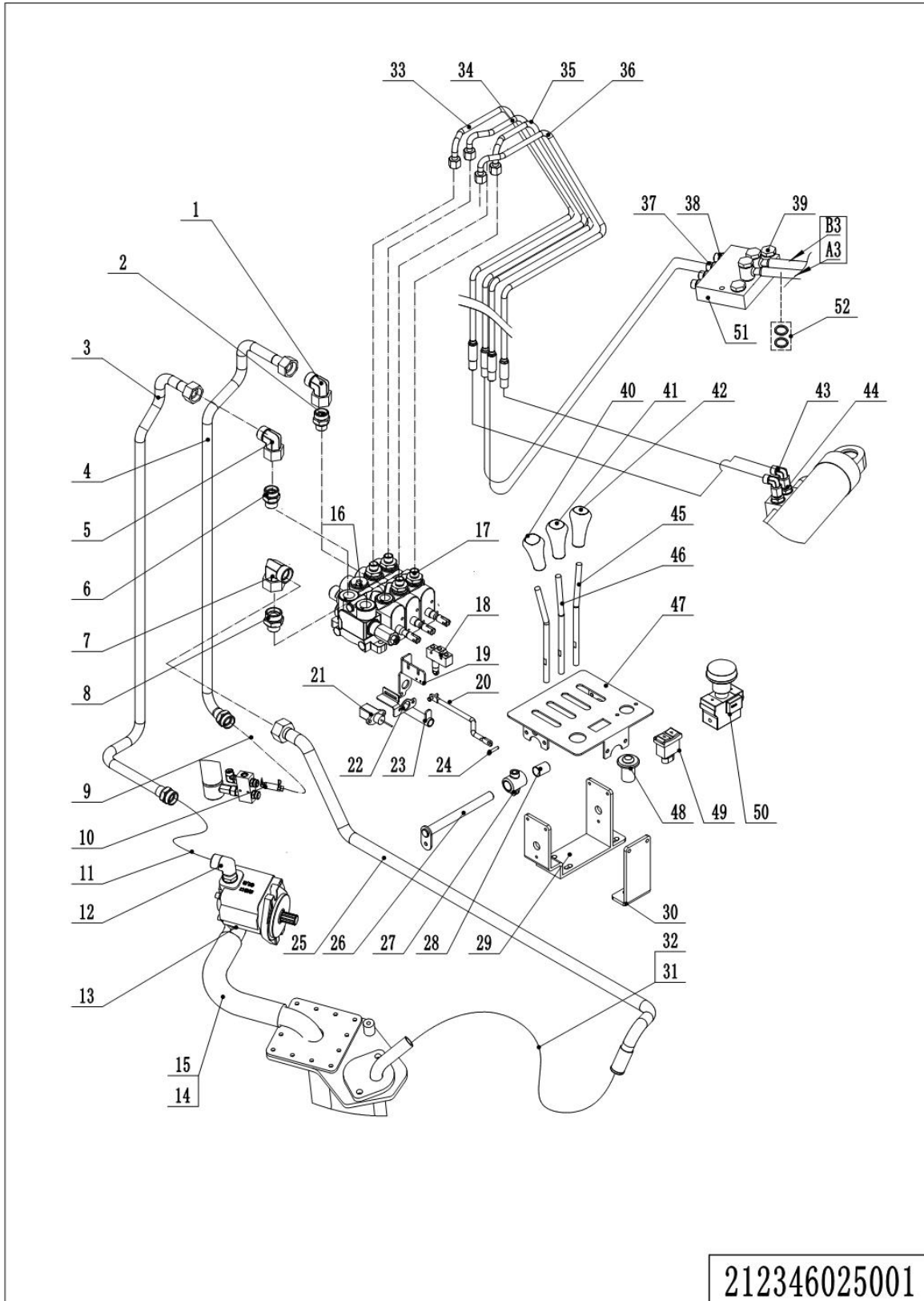
1= Supply as package. 2= Supply with constraints. 3= Phasing-out supply. 4= Supply as assembly. 5= Check other tables.

03Lift Unit(212146032501)

| No. | Item Code | Mark | Item Description | Qty. | Substitute | Note |
|-------|--------------|------|------------------|------|------------|------|
| 1 | 950800200008 | | Gear Pump | 1 | | |
| 2 | 910200200077 | 1 | Screw | 2 | | |
| 3 | 910400500007 | 1 | Spring Washer | 6 | | |
| 4 | 910400100007 | 1 | Flat Washer | 6 | | |
| 5 | 910200200057 | 1 | Screw | 8 | | |
| 6 | 910400500006 | 1 | Spring Washer | 8 | | |
| 7 | 910400100006 | 1 | Flat Washer | 8 | | |
| 8 | 212132520000 | | Mounting Plate | 2 | | |
| 9 | 910200200079 | 1 | Screw | 4 | | |
| 10 | 910300100007 | 1 | Nut | 4 | | |
| 11 | 920900100027 | | Motor | 1 | | KDS |
| 11 | 920900100126 | | Motor | 1 | | |
| 11.01 | 921800200013 | | Encoder | 1 | | KDS |
| 11.01 | 921800200038 | | Encoder | 1 | | |

Chapter 2: Hydraulic System

01 Hydraulic Circuit 3 (212346025001)

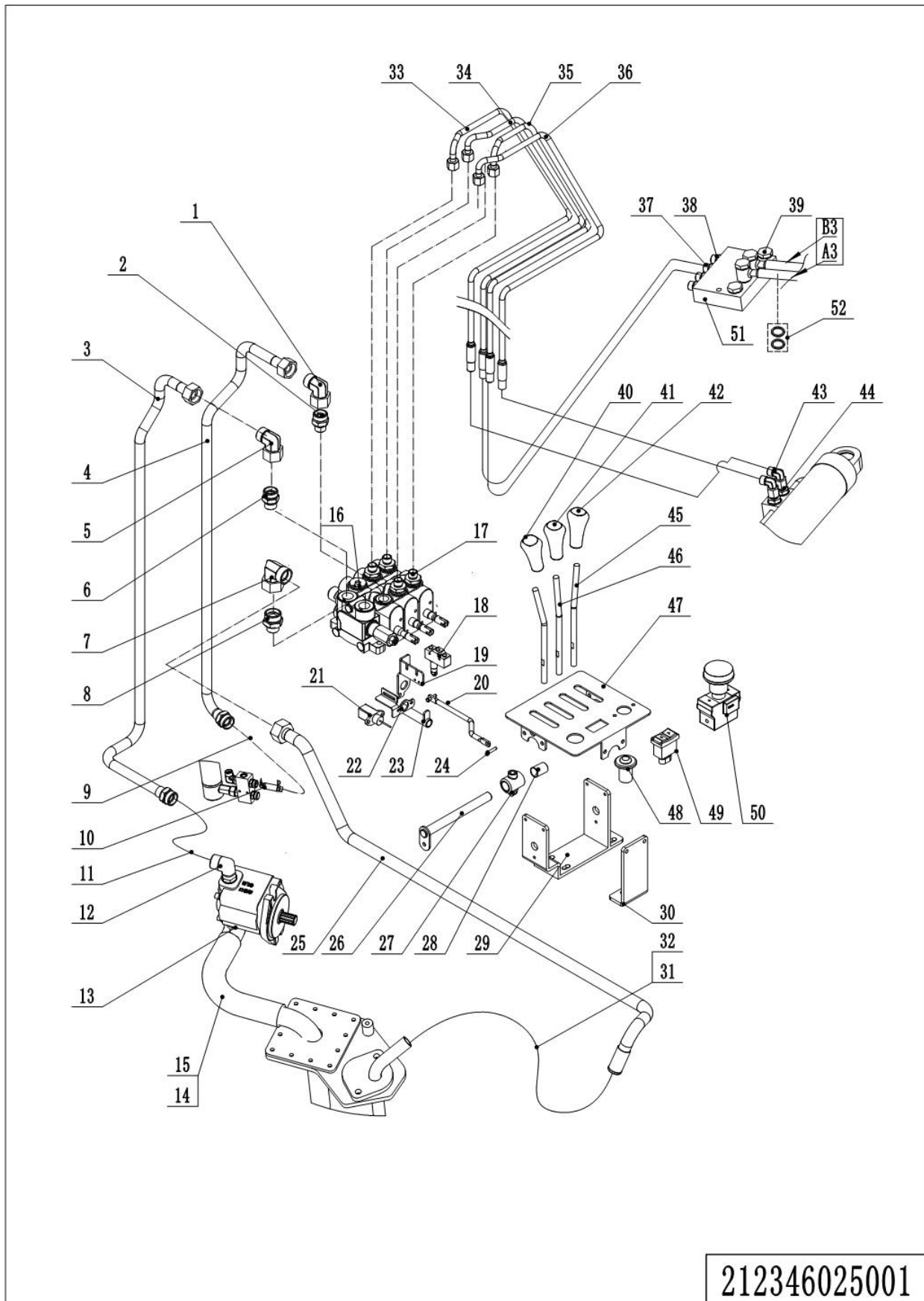


1= Supply as package. 2= Supply with constraints. 3= Phasing-out supply. 4= Supply as assembly. 5= Check other tables.

01 Hydraulic Circuit 3 (212346025001)

| No. | Item Code | Mark | Item Description | Qty. | Substitute | Note |
|-----|--------------|------|-------------------|------|------------|------------------|
| 1 | 950400200006 | | Joint | 1 | | |
| 2 | 213025020007 | | Adapter | 1 | | |
| 2 | 950400400025 | | Adapter | 1 | | longer |
| 3 | 212325520003 | | Steel Tube | 1 | | |
| 4 | 212325520004 | | Steel Tube | 1 | | |
| 4 | 212325520015 | | Steel Tube | 1 | | longer |
| 5 | 950400200006 | | Joint | 1 | | |
| 6 | 950400400008 | | Joint | 1 | | |
| 7 | 950400200007 | | Joint | 1 | | |
| 8 | 213025020008 | | Adapter | 1 | | |
| 9 | 212225520001 | | Hose | 1 | | |
| 10 | 950700300005 | | Speed Limit Valve | 1 | | |
| 11 | 212325520002 | | Hose | 1 | | |
| 12 | 950401100005 | | Joint | 1 | | |
| 13 | 216525020008 | | Adapter | 1 | | |
| 14 | 212125020001 | | Oil Tube | 1 | | |
| 15 | 911000600006 | | Hose Clamp | 2 | | |
| 16 | 950700100006 | | Multi-way Valve | 1 | | MSV04-41323-108 |
| 16 | 950700100009 | | Multi-way Valve | 1 | | MSV04-41323-7565 |
| 17 | 950400400012 | | Joint | 4 | | |
| 18 | 920200300004 | | Microswitch | 3 | | |
| 19 | 212225520021 | | Fixing Plate | 3 | | |
| 20 | 212325520005 | | Connecting Rod | 3 | | |
| 21 | 921800100027 | | Sensor | 1 | | |
| 22 | 212225520022 | | Fixing Plate | 1 | | |
| 23 | 212225510001 | | Stop Plate | 1 | | |
| 24 | 941100800001 | | Pin | 8 | | |
| 25 | 212325520000 | | Steel Tube | 1 | | |
| 26 | 201025510001 | | Pin | 1 | | |
| 27 | 213025020020 | | Bracket | 4 | | |
| 28 | 940500100006 | | Bushing | 6 | | |

01 Hydraulic Circuit 3 (212346025001) Continuation

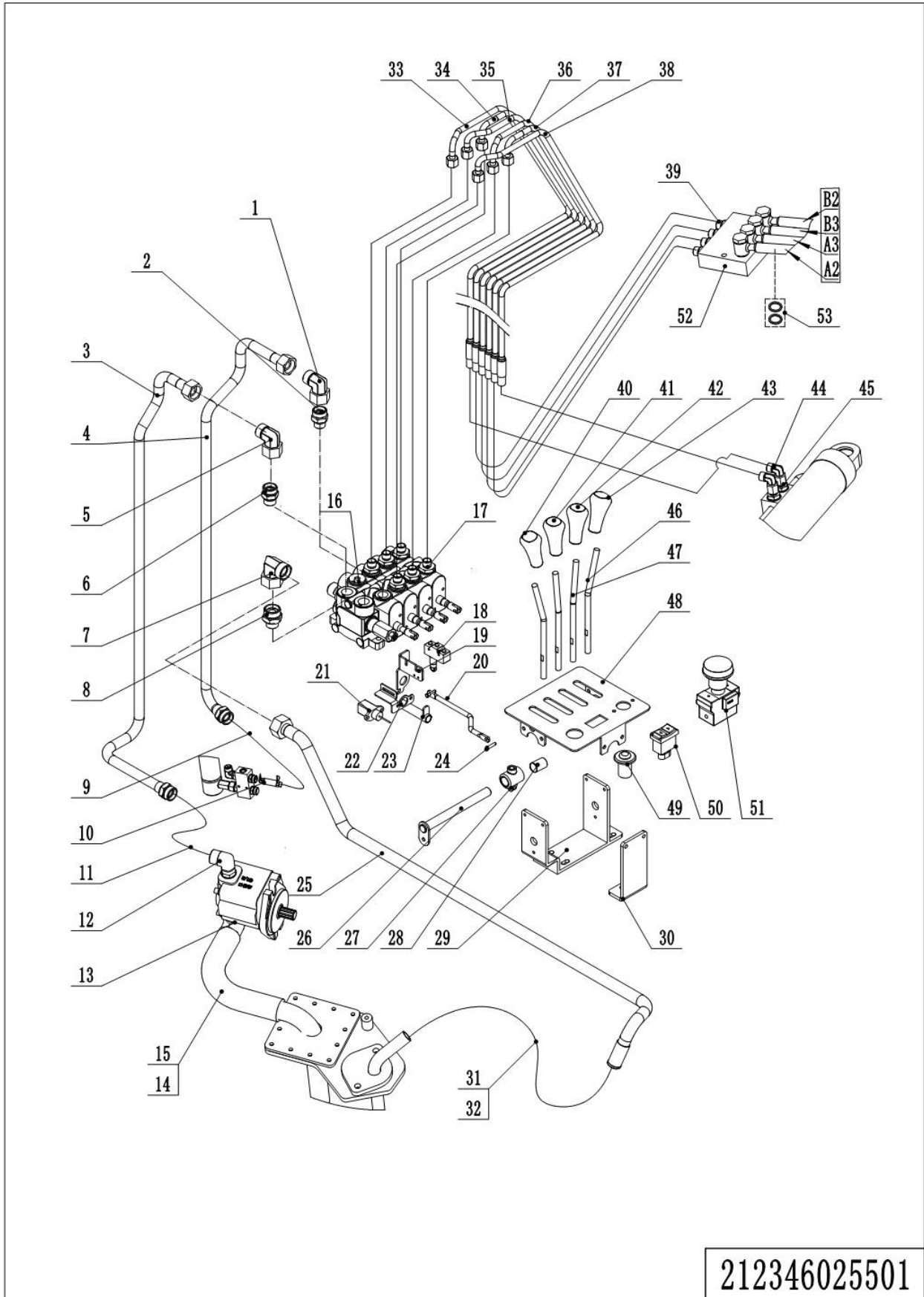


1= Supply as package. 2= Supply with constraints. 3= Phasing-out supply. 4= Supply as assembly. 5= Check other tables.

01 Hydraulic Circuit 3 (212346025001) Continuation

| No. | Item Code | Mark | Item Description | Qty. | Substitute | Note |
|-----|--------------|------|------------------|------|------------|------|
| 29 | 212325510000 | | Fixing Base | 1 | | |
| 30 | 212325520010 | | Fixing Plate | 1 | | |
| 31 | 900200401003 | | Pipe | 600 | | |
| 32 | 911000600004 | | Hose Clamp | 2 | | |
| 33 | 212225520011 | | Hose | 1 | | |
| 34 | 212225520013 | | Hose | 1 | | |
| 35 | 212225520014 | | Hose | 1 | | |
| 36 | 212225520016 | | Hose | 1 | | |
| 37 | 950400400003 | | Joint | 2 | | |
| 38 | 951100300004 | | Plug | 2 | | |
| 39 | 951100300006 | | Plug | 2 | | |
| 40 | 253524520010 | | Knob | 1 | | |
| 41 | 216525020011 | | Knob | 1 | | |
| 42 | 253524520009 | | Knob | 1 | | |
| 43 | 950400200003 | | Joint | 2 | | |
| 44 | 950400400003 | | Joint | 2 | | |
| 45 | 212225520029 | | Joystick | 2 | | |
| 46 | 212225520028 | | Joystick | 1 | | |
| 47 | 212325020000 | | Close Plate | 1 | | |
| 48 | 920200700015 | | Switch | 1 | | |
| 49 | 920200800040 | | Switch | 1 | | |
| 50 | 920200100005 | | Emergency Button | 1 | | |
| 51 | 212225520002 | | Valve Block | 1 | | |
| 52 | 910800900005 | | Washer | 4 | | |

02 Hydraulic Circuit 4 (212346025501)



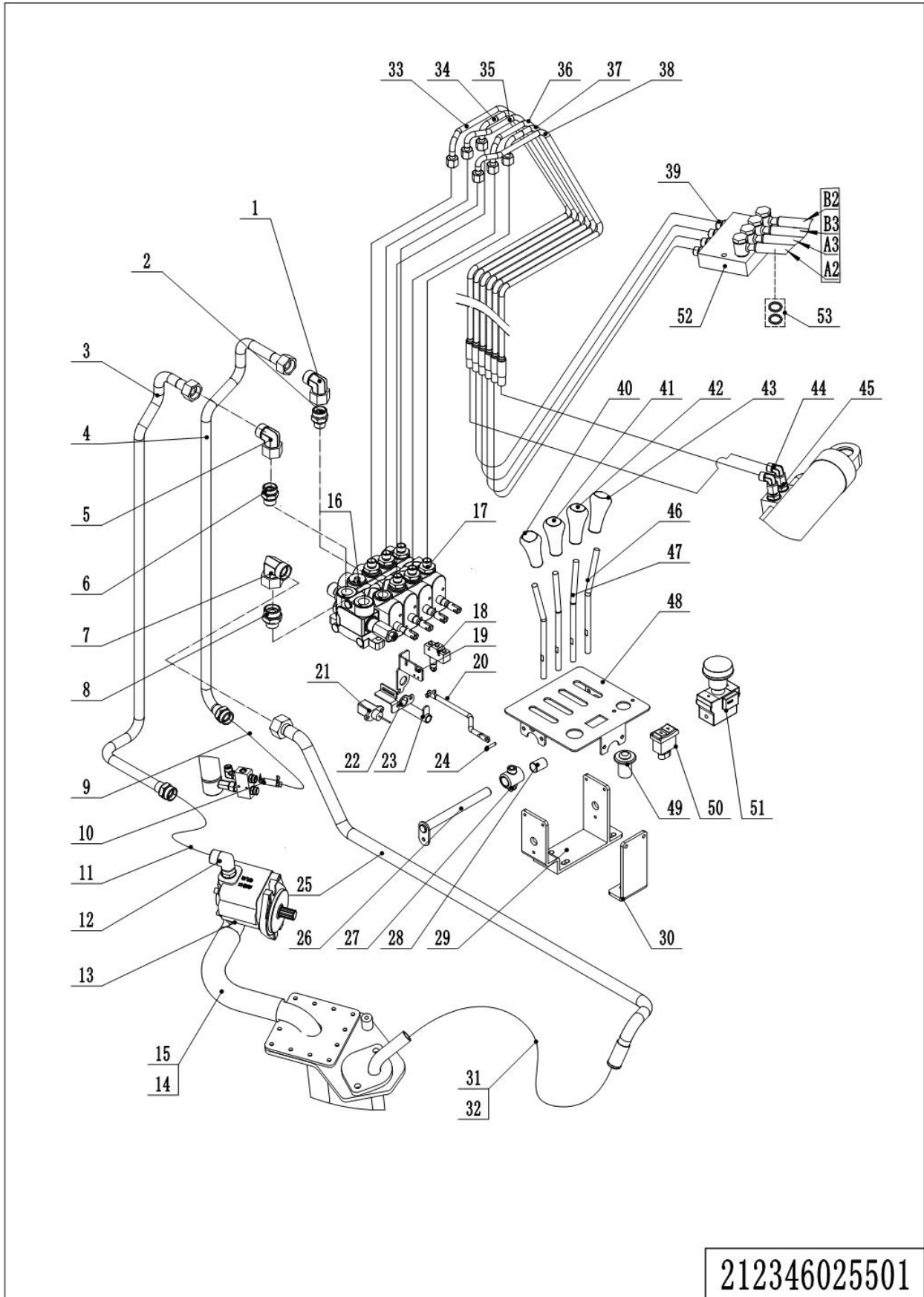
212346025501

1= Supply as package. 2= Supply with constraints. 3= Phasing-out supply. 4= Supply as assembly. 5= Check other tables.

02 Hydraulic Circuit 4 (212346025501)

| No. | Item Code | Mark | Item Description | Qty. | Substitute | Note |
|-----|--------------|------|-------------------|------|------------|------------------|
| 1 | 950400200006 | | Joint | 1 | | |
| 2 | 213025020007 | | Adapter | 1 | | |
| 2 | 950400400025 | | Adapter | 1 | | longer |
| 3 | 212325520003 | | Steel Tube | 1 | | |
| 4 | 212325520004 | | Steel Tube | 1 | | |
| 4 | 212325520015 | | Steel Tube | 1 | | longer |
| 5 | 950400200006 | | Joint | 1 | | |
| 6 | 950400400008 | | Joint | 1 | | |
| 7 | 950400200007 | | Joint | 1 | | |
| 8 | 213025020008 | | Adapter | 1 | | |
| 9 | 212225520001 | | Hose | 1 | | |
| 10 | 950700300005 | | Speed Limit Valve | 1 | | |
| 11 | 212325520002 | | Hose | 1 | | |
| 12 | 950401100005 | | Joint | 1 | | |
| 13 | 216525020008 | | Adapter | 1 | | |
| 14 | 212125020001 | | Oil Tube | 1 | | |
| 15 | 911000600006 | | Hose Clamp | 2 | | |
| 16 | 950700100006 | | Multi-way Valve | 1 | | MSV04-41323-108 |
| 16 | 950700100009 | | Multi-way Valve | 1 | | MSV04-41323-7565 |
| 17 | 950400400012 | | Joint | 6 | | |
| 18 | 920200300004 | | Microswitch | 4 | | |
| 19 | 212225520021 | | Fixing Plate | 4 | | |
| 20 | 212325520005 | | Connecting Rod | 4 | | |
| 21 | 921800100027 | | Sensor | 1 | | |
| 22 | 212225520022 | | Fixing Plate | 1 | | |
| 23 | 212225510001 | | Stop Plate | 1 | | |
| 24 | 941100800001 | | Pin | 8 | | |
| 25 | 212325520000 | | Steel Tube | 1 | | |
| 26 | 201025510001 | | Pin | 1 | | |
| 27 | 213025020020 | | Bracket | 4 | | |
| 28 | 940500100006 | | Bushing | 8 | | |

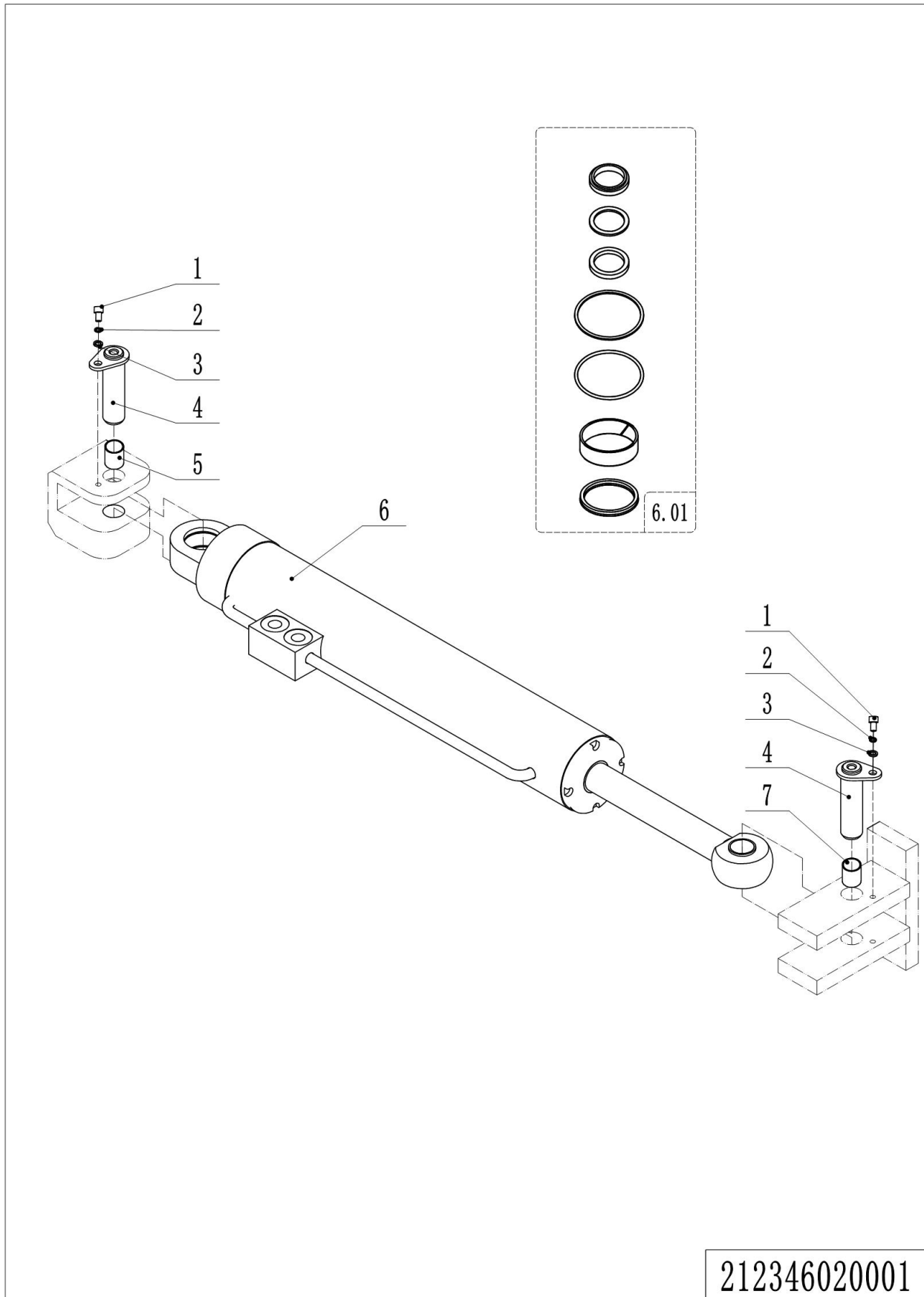
02 Hydraulic Circuit 4 (212346025501) Continuation



1= Supply as package. 2= Supply with constraints. 3= Phasing-out supply. 4= Supply as assembly. 5= Check other tables.

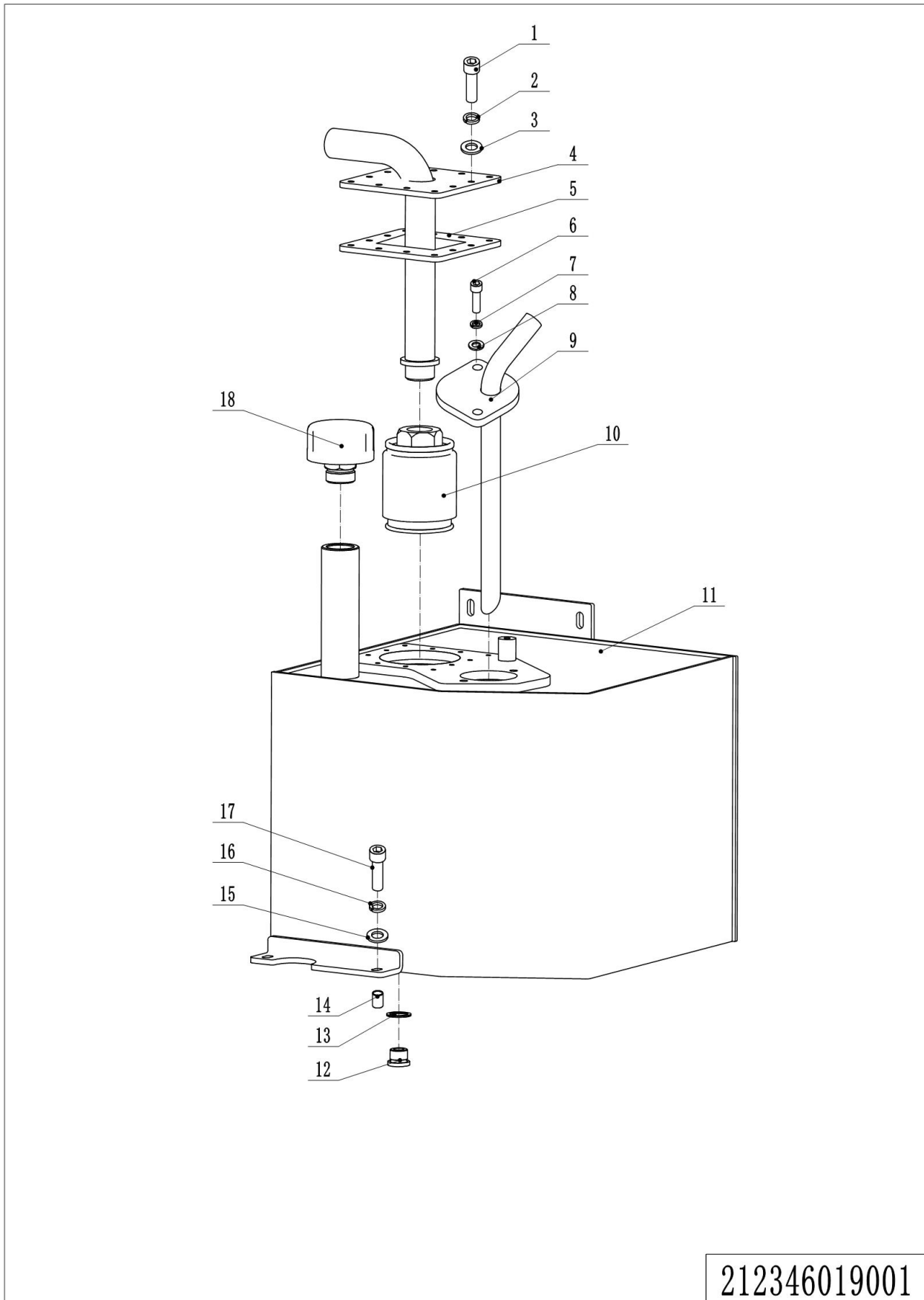
02 Hydraulic Circuit 4 (212346025501) Continuation

| No. | Item Code | Mark | Item Description | Qty. | Substitute | Note |
|-----|--------------|------|------------------|------|------------|-------------------|
| 29 | 212325510000 | | Fixing Base | 1 | | |
| 30 | 212325520010 | | Fixing Plate | 1 | | |
| 31 | 900200401003 | | Pipe | 600 | | |
| 32 | 911000600004 | | Hose Clamp | 2 | | |
| 33 | 212225520011 | | Hose | 1 | | 10-L1690-1SC-24 ° |
| 34 | 212225520012 | | Hose | 1 | | 10-L1305-1SC-24 ° |
| 35 | 212225520013 | | Hose | 1 | | 10-L1220-1SC-24 ° |
| 36 | 212225520014 | | Hose | 1 | | 10-L1195-1SC-24 ° |
| 37 | 212225520015 | | Hose | 1 | | 10-L1175-1SC-24 ° |
| 38 | 212225520016 | | Hose | 1 | | 10-L1640-1SC-24 ° |
| 39 | 950400400003 | | Joint | 4 | | 10-2xM16x1.5-24 ° |
| 40 | 253524520010 | | Knob | 1 | | |
| 41 | 216525020011 | | Knob | 1 | | |
| 42 | 253524520009 | | Knob | 1 | | |
| 43 | 253525020002 | | Knob | 1 | | |
| 44 | 950400200003 | | Joint | 2 | | 10-2xM16x1.5-24 ° |
| 45 | 950400400003 | | Joint | 2 | | 10-2xM16x1.5-24 ° |
| 46 | 212225520028 | | Joystick | 2 | | |
| 47 | 212225520029 | | Joystick | 2 | | |
| 48 | 212325510001 | | Close Plate | 1 | | |
| 49 | 920200700015 | | Switch | 1 | | 145000AB2138 |
| 50 | 920200800040 | | Switch | 1 | | |
| 51 | 920200100001 | | Emergency Button | 1 | | |
| 52 | 212225520002 | | Valve Block | 1 | | |
| 53 | 910800900005 | | Washer | 8 | | |

03 Reach Cylinder (212346020001)

03 Reach Cylinder (212346020001)

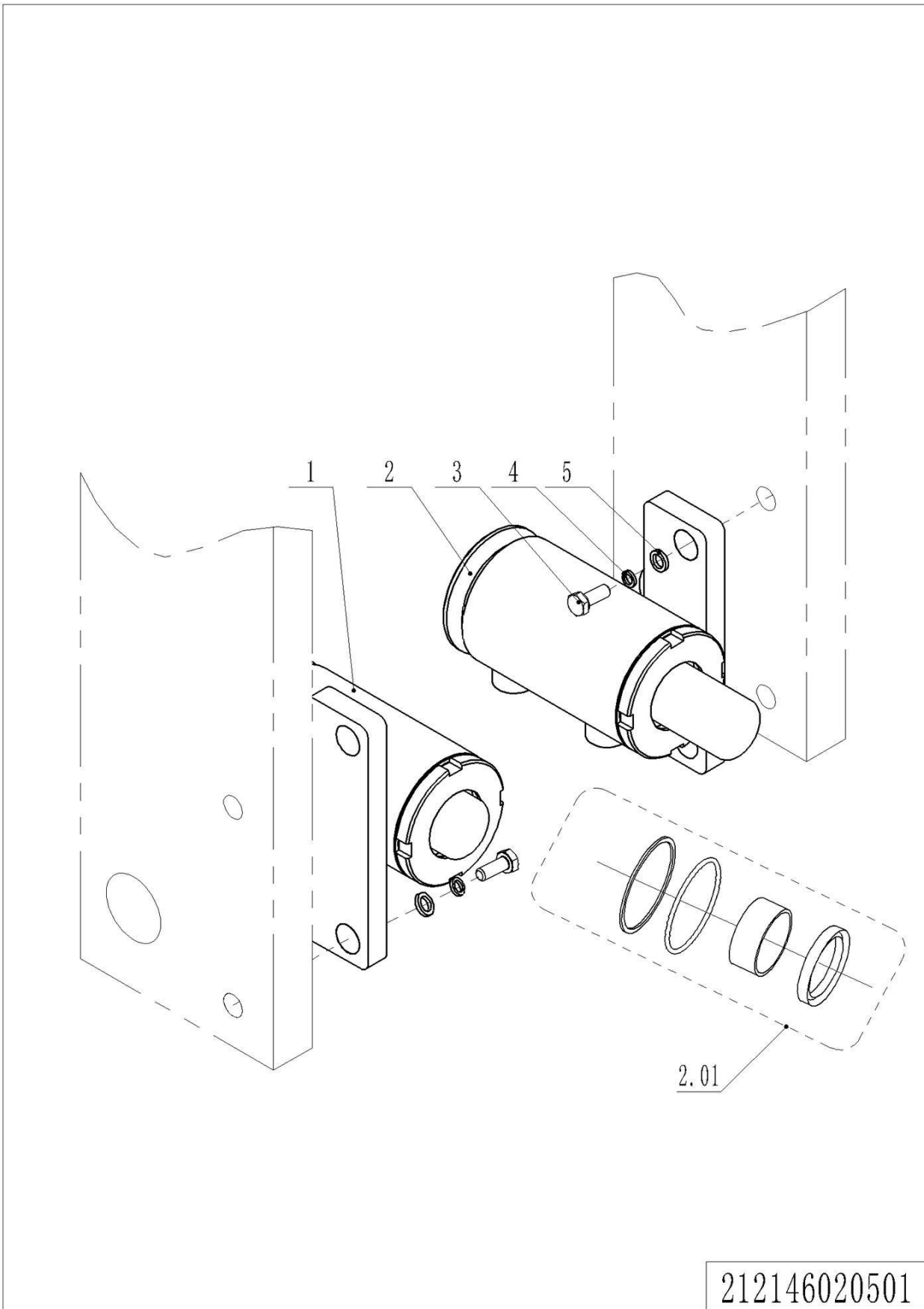
| No. | Item Code | Mark | Item Description | Qty. | Substitute | Note |
|------|--------------|------|------------------|------|------------|------|
| 1 | 910200200034 | | Screw | 2 | | |
| 2 | 910400500005 | | Spring Washer | 2 | | |
| 3 | 910400100005 | | Flat Washer | 2 | | |
| 4 | 212120010001 | | Pin | 2 | | |
| 5 | 212120020002 | | Bushing | 1 | | |
| 6 | 212120010000 | | Cylinder | 1 | | |
| 6.01 | 212198510004 | | Seal Kit | 1 | | |
| 7 | 212120020003 | | Bushing | 1 | | |

04 Oil Tank (212346019001)

212346019001

04 Oil Tank (212346019001)

| No. | Item Code | Mark | Item Description | Qty. | Substitute | Note |
|-----|--------------|------|------------------|------|------------|------|
| 1 | 910200200035 | | Screw | 12 | | |
| 2 | 910400500005 | | Spring Washer | 12 | | |
| 3 | 910400100005 | | Flat Washer | 12 | | |
| 4 | 212119010001 | | Cap-Tank | 1 | | |
| 5 | 212119020000 | | Sealing Gasket | 1 | | |
| 6 | 910200200077 | | Screw | 2 | | |
| 7 | 910400500007 | | Spring Washer | 2 | | |
| 8 | 910400100007 | | Flat Washer | 2 | | |
| 9 | 212319010000 | | Close Plate | 1 | | |
| 10 | 951000400001 | | Filter | 1 | | |
| 11 | 212119010000 | | Tank | 1 | | |
| 12 | 255019020015 | | Filler Plug | 1 | | |
| 13 | 910800900001 | | Bonded Washer | 1 | | |
| 14 | 532621520062 | | Crash Pad | 1 | | |
| 15 | 910400100006 | | Flat Washer | 4 | | |
| 16 | 910400500006 | | Spring Washer | 4 | | |
| 17 | 910200200058 | | Screw | 4 | | |
| 18 | 212119020019 | | Screw Plug | 1 | | |

05 Tilt Cylinder (212146020501)

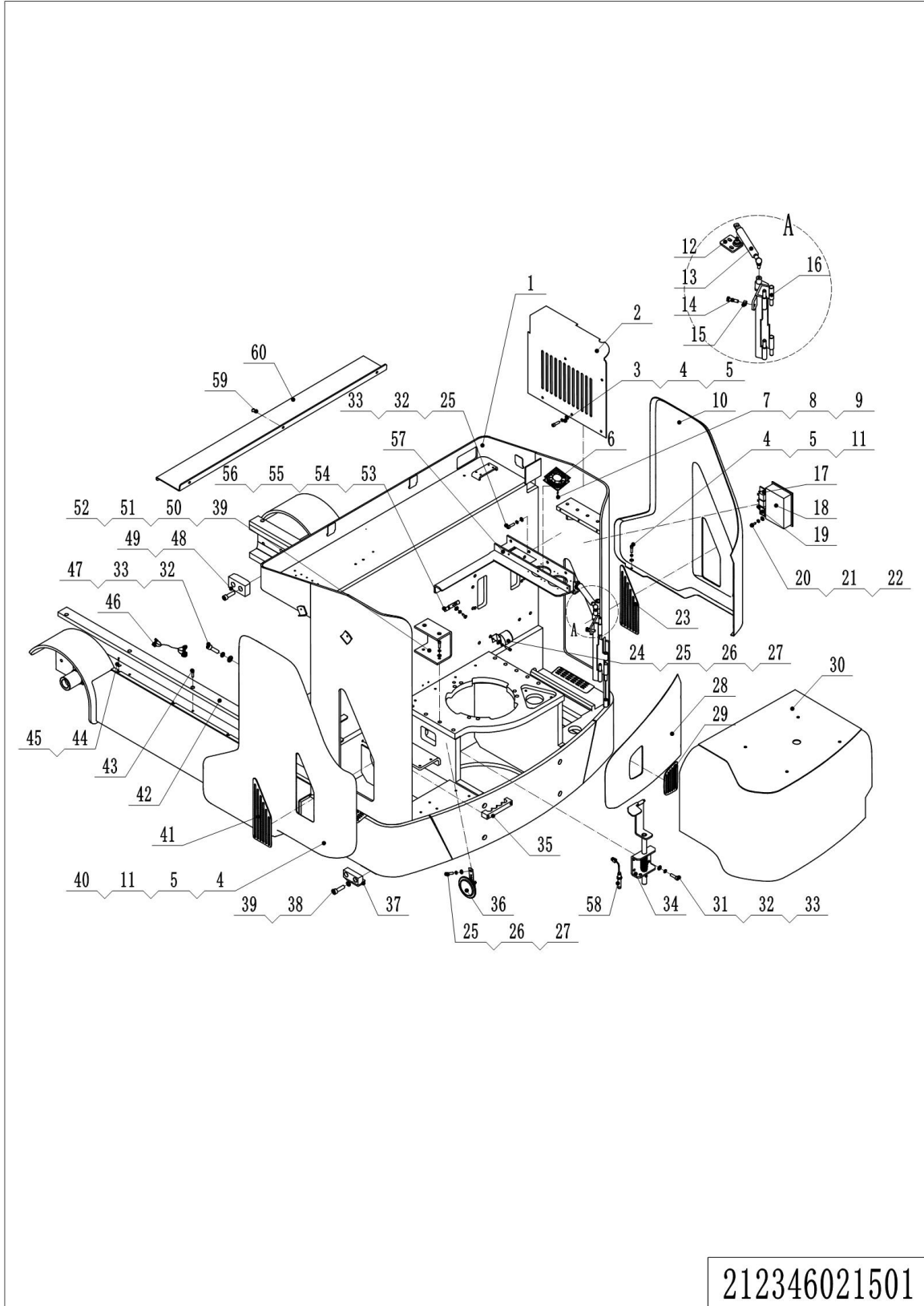
1= Supply as package. 2= Supply with constraints. 3= Phasing-out supply. 4= Supply as assembly. 5= Check other tables.

05 Tilt Cylinder (212146020501)

| No. | Item Code | Mark | Item Description | Qty. | Substitute | Note |
|------|--------------|------|------------------|------|------------|------|
| 1 | 214120510001 | | Tilt Cylinder | 1 | | |
| 2 | 214120510000 | | Tilt Cylinder | 1 | | |
| 2.01 | 212198510000 | | Seal Kit | 2 | | |
| 3 | 910100300063 | | Bolt | 4 | | |
| 4 | 910400500009 | | Spring Washer | 4 | | |
| 5 | 910400100009 | | Flat Washer | 4 | | |

Chapter 3: Truck Frame

01 Chassis (212346021501)



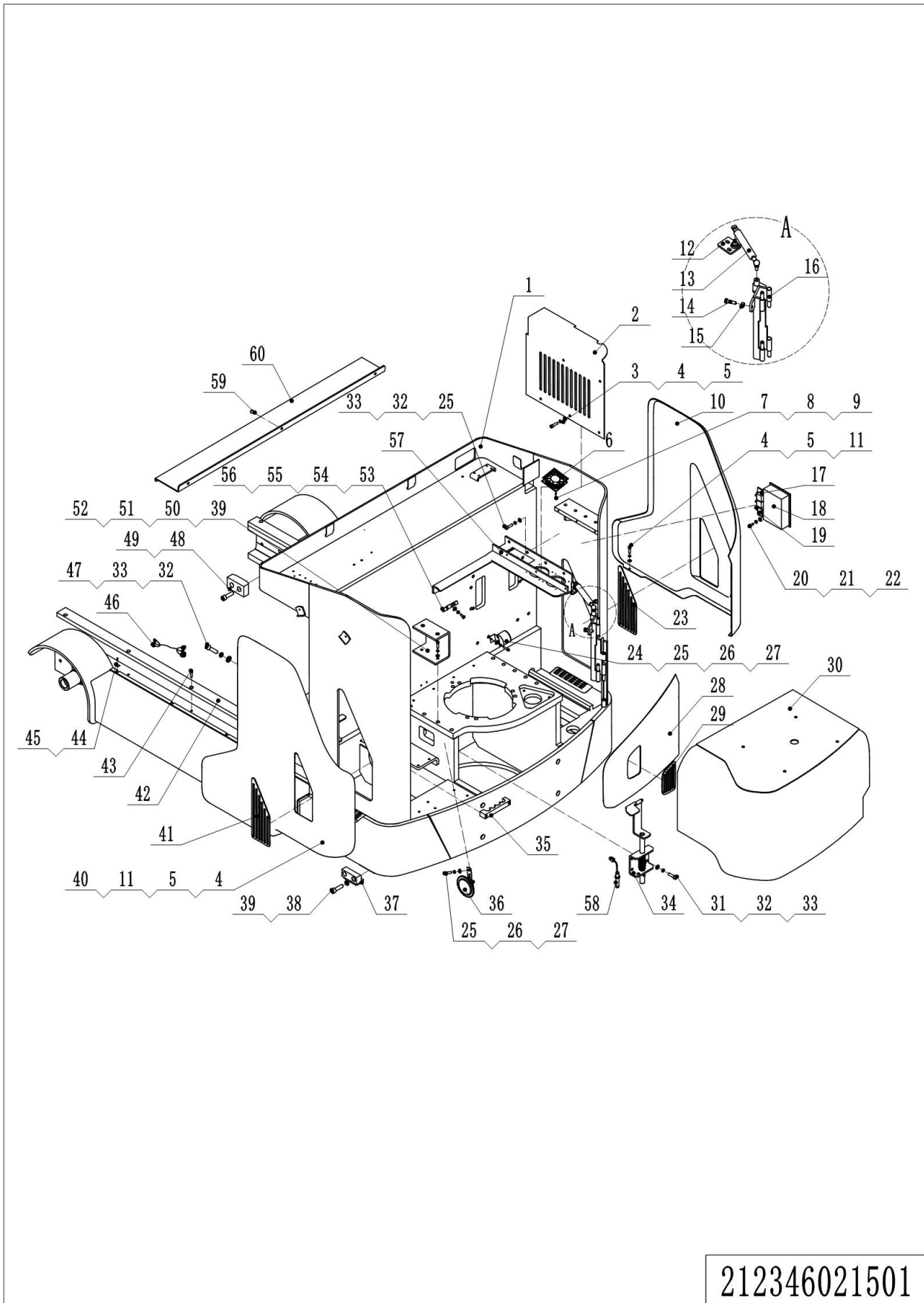
212346021501

1= Supply as package. 2= Supply with constraints. 3= Phasing-out supply. 4= Supply as assembly. 5= Check other tables.

01 Chassis (212346021501)

| No. | Item Code | Mark | Item Description | Qty. | Substitute | Note |
|-----|--------------|------|-------------------|------|------------|------|
| 1 | 212121510000 | | Chassis | 1 | | |
| 2 | 212121510005 | | Cover | 1 | | |
| 3 | 910200300017 | | Screw | 6 | | |
| 4 | 910400500005 | | Spring Washer | 16 | | |
| 5 | 910400100005 | | Flat Washer | 16 | | |
| 6 | 212133510018 | | Fan | 2 | | |
| 7 | 910200500028 | | Screw | 8 | | |
| 8 | 910400500003 | | Spring Washer | 8 | | |
| 9 | 910400100003 | | Flat Washer | 8 | | |
| 10 | 212121520092 | | Side Plate(right) | 1 | | |
| 11 | 910200200036 | | Screw | 10 | | |
| 12 | 212121510008 | | Fixing Base | 1 | | |
| 13 | 212121520048 | | Gas Spring | 1 | | |
| 14 | 910100300024 | | Bolt | 1 | | |
| 15 | 910300100006 | | Nut | 1 | | |
| 16 | 212121510002 | | Hinge | 1 | | |
| 17 | 920800100001 | | Relay | 2 | | |
| 18 | 921900100014 | | Converter | 1 | | |
| 19 | 922000100005 | | Lamp | 1 | | |
| 20 | 910200500037 | | Screw | 7 | | |
| 21 | 910400500004 | | Spring Washer | 7 | | |
| 22 | 910400100004 | | Flat Washer | 7 | | |
| 23 | 212121520101 | | Vent | 1 | | |
| 24 | 920500100002 | | Horn | 1 | | |
| 25 | 910200200055 | | Screw | 8 | | |
| 26 | 910400500006 | | Spring Washer | 2 | | |
| 27 | 910400100006 | | Flat Washer | 2 | | |
| 28 | 212121520091 | | Cover | 1 | | |
| 29 | 212121520102 | | Vent | 1 | | |
| 30 | 212121510009 | | Cover | 1 | | |

01 Chassis (212346021501) Continuation

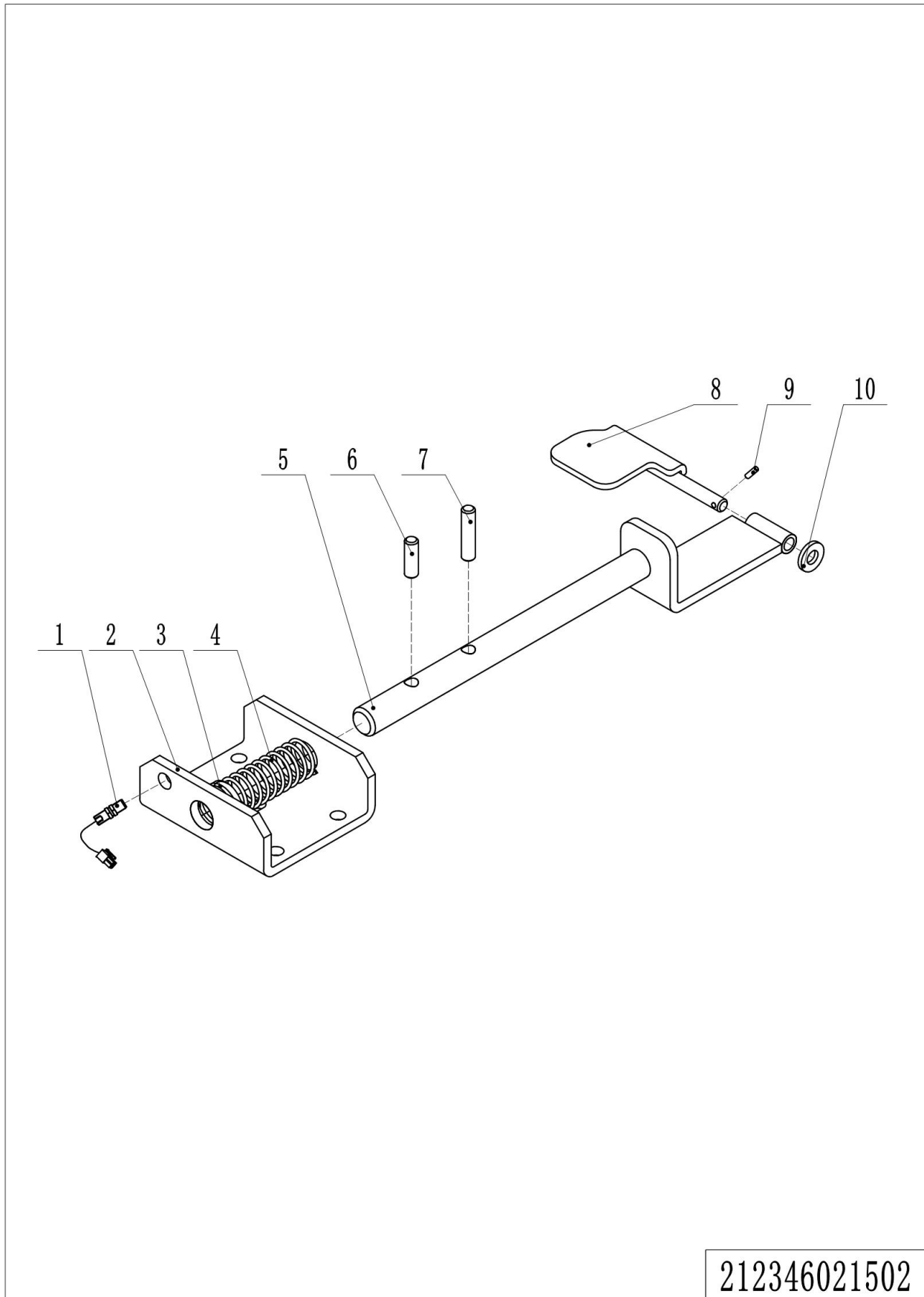


212346021501

1= Supply as package. 2= Supply with constraints. 3= Phasing-out supply. 4= Supply as assembly. 5= Check other tables.

01 Chassis (212346021501) Continuation

| No. | Item Code | Mark | Item Description | Qty. | Substitute | Note |
|-----|--------------|------|------------------|------|------------|----------------------------|
| 31 | 910200200060 | | Screw | 4 | | |
| 32 | 910400500006 | | Spring Washer | 12 | | |
| 33 | 910400100006 | | Flat Washer | 12 | | |
| 34 | / | 5 | Handle Assembly | 1 | | 212346021502 |
| 35 | 212121520064 | | Fixing Plate | 1 | | |
| 36 | 920500100001 | | Horn | 1 | | |
| 37 | 212121520068 | | Support Leg | 2 | | |
| 38 | 910200200099 | | Screw | 4 | | |
| 39 | 910400500008 | | Spring Washer | 6 | | |
| 40 | 212121520093 | | Side Plate(left) | 1 | | |
| 41 | 212121520100 | | Vent | 1 | | |
| 42 | 212121520049 | | Guide Rail | 2 | | |
| 43 | 910200200058 | | Screw | 8 | | |
| 44 | 212121520075 | | Press Plate | 8 | | |
| 45 | 910200300011 | | Screw | 8 | | |
| 46 | 212333010001 | | Wire Harness | 1 | | Curtis |
| 46 | 212333010001 | | Wire Harness | 1 | | Inmotion |
| 47 | 910200200065 | | Screw | 2 | | |
| 48 | 216521520001 | | Crash Pad | 2 | | |
| 49 | 910200200098 | | Screw | 4 | | |
| 50 | 212121520047 | | Fixing Plate | 1 | | |
| 51 | 910100300096 | | Bolt | 2 | | |
| 52 | 910400100008 | | Flat Washer | 2 | | |
| 53 | 921300300005 | | Holder | 1 | | |
| 54 | 910200500037 | | Screw | 2 | | |
| 55 | 910400500004 | | Spring Washer | 2 | | |
| 56 | 910400100004 | | Flat Washer | 2 | | |
| 57 | 212121510006 | | Fixing Base | 1 | | |
| 58 | 212133510007 | | Proximity Switch | 1 | | Fi4-G12-OP6L-L70PNP(300mm) |
| 58 | 212133510023 | | Proximity Switch | 1 | | 8mm |
| 59 | 941100100001 | | Screw | 3 | | 560Ah |
| 60 | 213121520011 | | Guard Plate | 1 | | 560Ah |

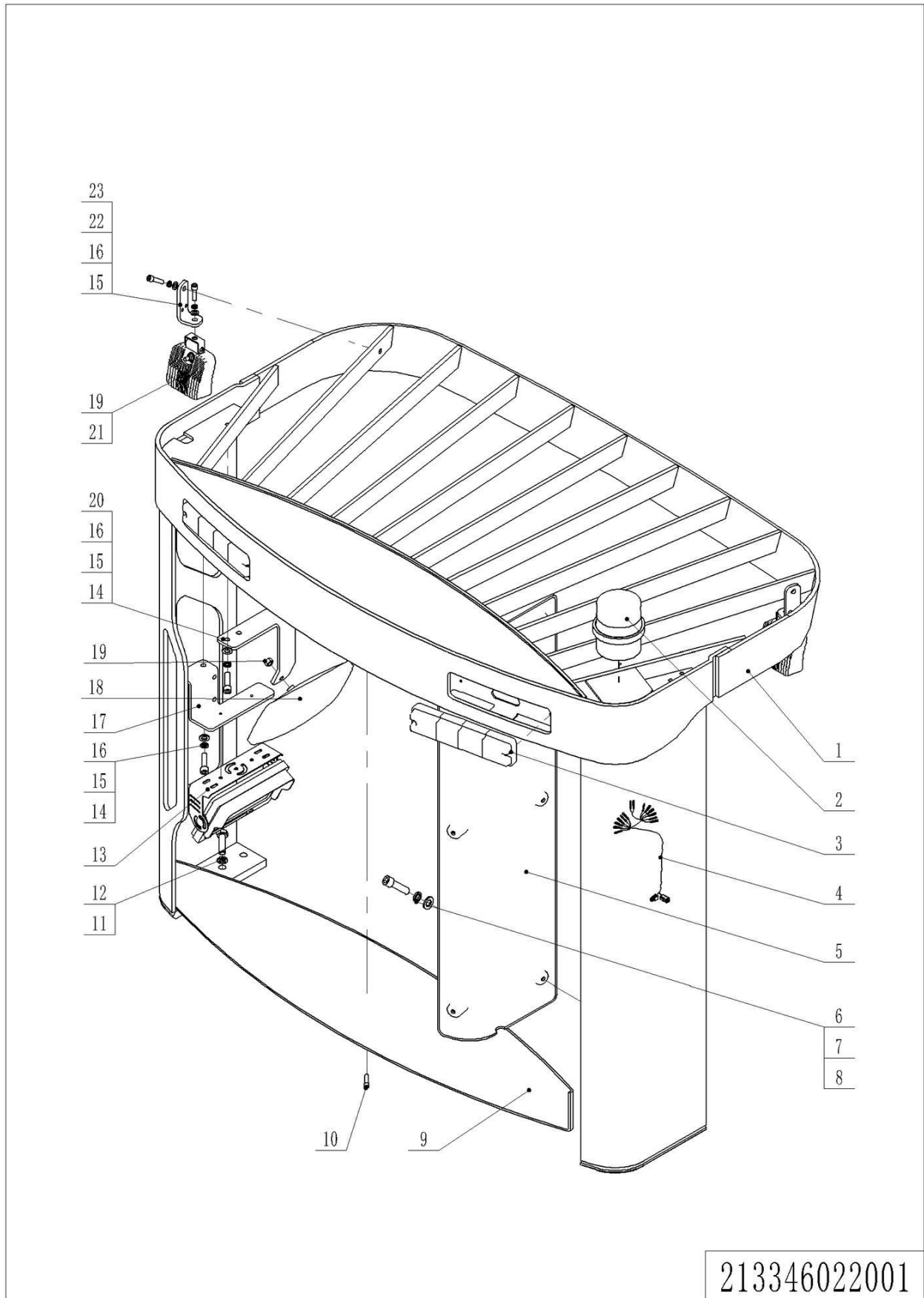
02 Handle Assembly (212346021502)

212346021502

02 Handle Assembly (212346021502)

| No. | Item Code | Mark | Item Description | Qty. | Substitute | Note |
|-----|--------------|------|------------------|------|------------|------|
| 1 | 212133510007 | | Proximity Switch | 1 | | |
| 1 | 212133510023 | | Proximity Switch | 1 | | 8mm |
| 2 | 212121520050 | | Fixing Plate | 1 | | |
| 3 | 212121520052 | | Washer | 1 | | |
| 4 | 212121520051 | | Spring | 1 | | |
| 5 | 212121510004 | | Bracket | 1 | | |
| 6 | 910600400044 | | Spring Pin | 1 | | |
| 7 | 910600400046 | | Spring Pin | 1 | | |
| 8 | 212121510003 | | Bolt | 1 | | |
| 9 | 910600400002 | | Spring Pin | 1 | | |
| 10 | 910400100006 | | Flat Washer | 1 | | |

03 Overhead Guard (213346022001)

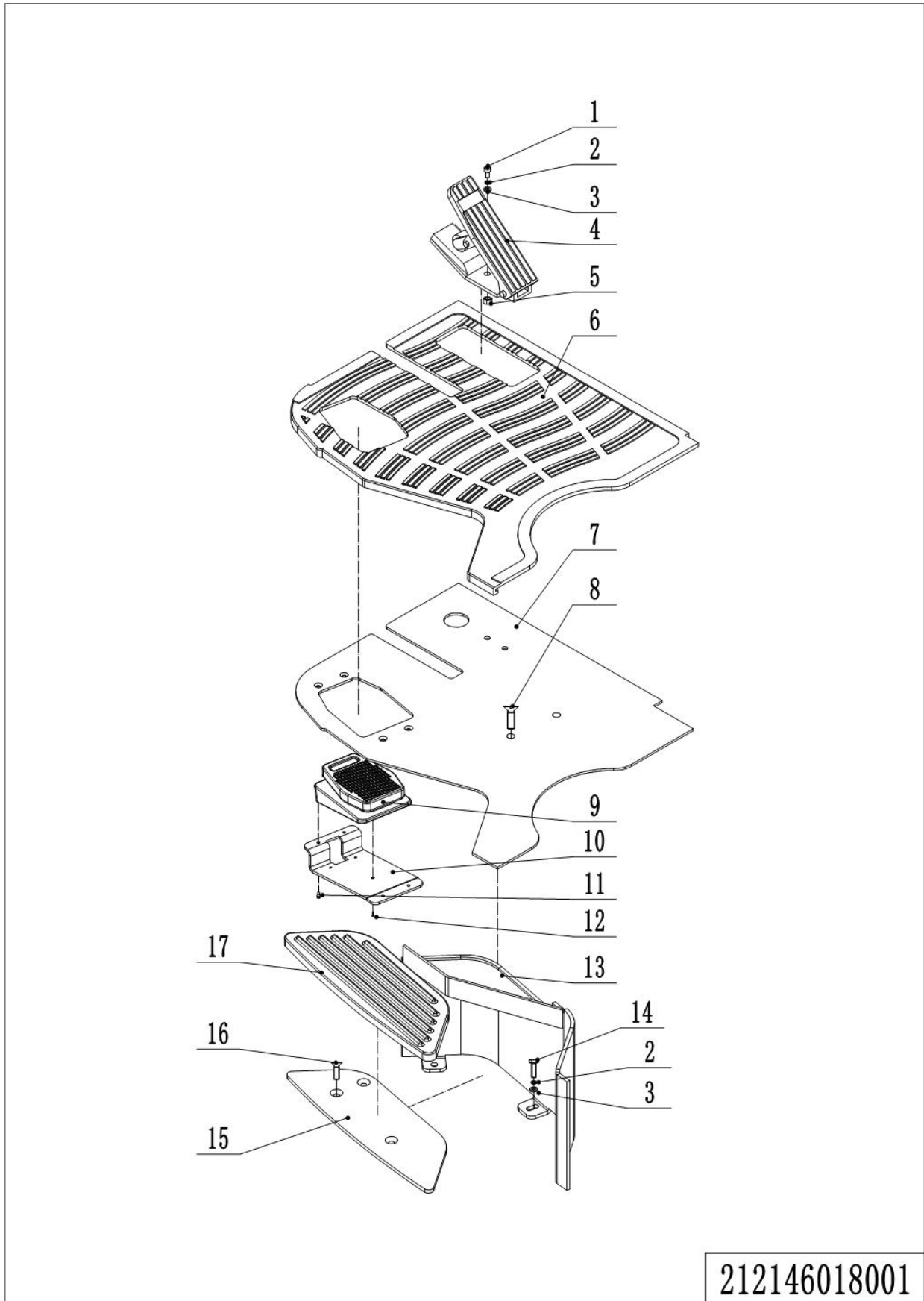


1= Supply as package. 2= Supply with constraints. 3= Phasing-out supply. 4= Supply as assembly. 5= Check other tables.

03 Overhead Guard (213346022001)

| No. | Item Code | Mark | Item Description | Qty. | Substitute | Note |
|-----|--------------|------|------------------|------|------------|------|
| 1 | 212122010000 | | Overhead Guard | 1 | | |
| 2 | 922000100051 | | Lamp | 1 | | |
| 3 | 922000100003 | | Lamp | 2 | | |
| 4 | 212133010013 | | Wire Harness | 1 | | |
| 5 | 212122020021 | | Cover | 1 | | |
| 6 | 910200300017 | | Screw | 6 | | |
| 7 | 910400500005 | | Spring Washer | 6 | | |
| 8 | 910400100005 | | Flat Washer | 6 | | |
| 9 | 212122020020 | | Cover | 1 | | |
| 10 | 910200300017 | | Screw | 1 | | |
| 11 | 910200300037 | | Screw | 8 | | |
| 12 | 910400500008 | | Spring Washer | 8 | | |
| 13 | / | 5 | Monitor | 1 | | |
| 14 | 910200200055 | | Screw | 4 | | |
| 15 | 910400500006 | | Spring Washer | 8 | | |
| 16 | 910400100006 | | Flat Washer | 8 | | |
| 17 | 212122020018 | | Bolt | 1 | | |
| 18 | 940800100001 | | Rearview Mirror | 1 | | |
| 19 | 910300100006 | | Nut | 5 | | |
| 20 | 212122020022 | | Mirror | 1 | | |
| 21 | 922000100016 | | Lamp | 2 | | |
| 22 | 910200200058 | | Screw | 4 | | |
| 23 | 212122020023 | | Mounting Plate | 2 | | |

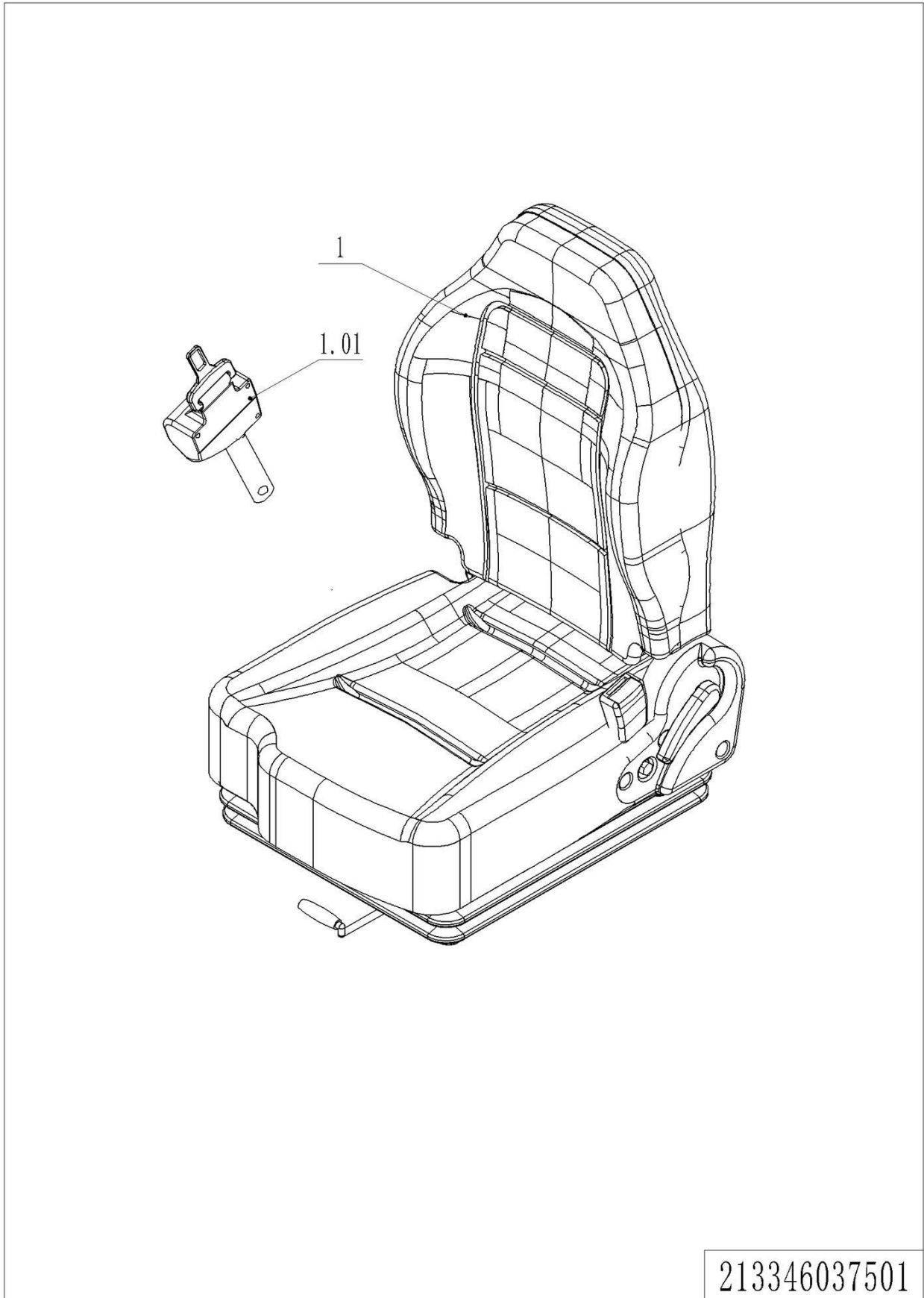
04 Platform (212146018001)



1= Supply as package. 2= Supply with constraints. 3= Phasing-out supply. 4= Supply as assembly. 5= Check other tables.

04 Platform (212146018001)

| No. | Item Code | Mark | Item Description | Qty. | Substitute | Note |
|-----|--------------|------|------------------|------|------------|-------------|
| 1 | 910200200057 | 1 | Screw | 2 | | |
| 2 | 910400100006 | 1 | Flat Washer | 4 | | |
| 3 | 910400500006 | 1 | Spring Washer | 4 | | |
| 4 | CHARG01000 | | Accelerator | 1 | | |
| 4 | 921700100028 | | Accelerator | 1 | | EN1175-2020 |
| 5 | 910300100006 | 1 | Nut | 2 | | |
| 6 | 212118020000 | | Mat | 1 | | |
| 7 | 212118020001 | | Platform | 1 | | |
| 8 | 910200400033 | 1 | Screw | 2 | | |
| 9 | 212133510019 | | Foot Switch | 1 | | |
| 10 | 212118020008 | | Mounting Plate | 1 | | |
| 11 | 910200400009 | 1 | Screw | 4 | | |
| 12 | 212198520048 | 1 | Screw | 3 | | |
| 13 | 212118010000 | | Bracket | 1 | | |
| 14 | 910100300022 | 1 | Bolt | 2 | | |
| 15 | 212118010001 | | Platform | 1 | | |
| 16 | 910200400026 | 1 | Screw | 3 | | |
| 17 | 212118020002 | | Mat | 1 | | |

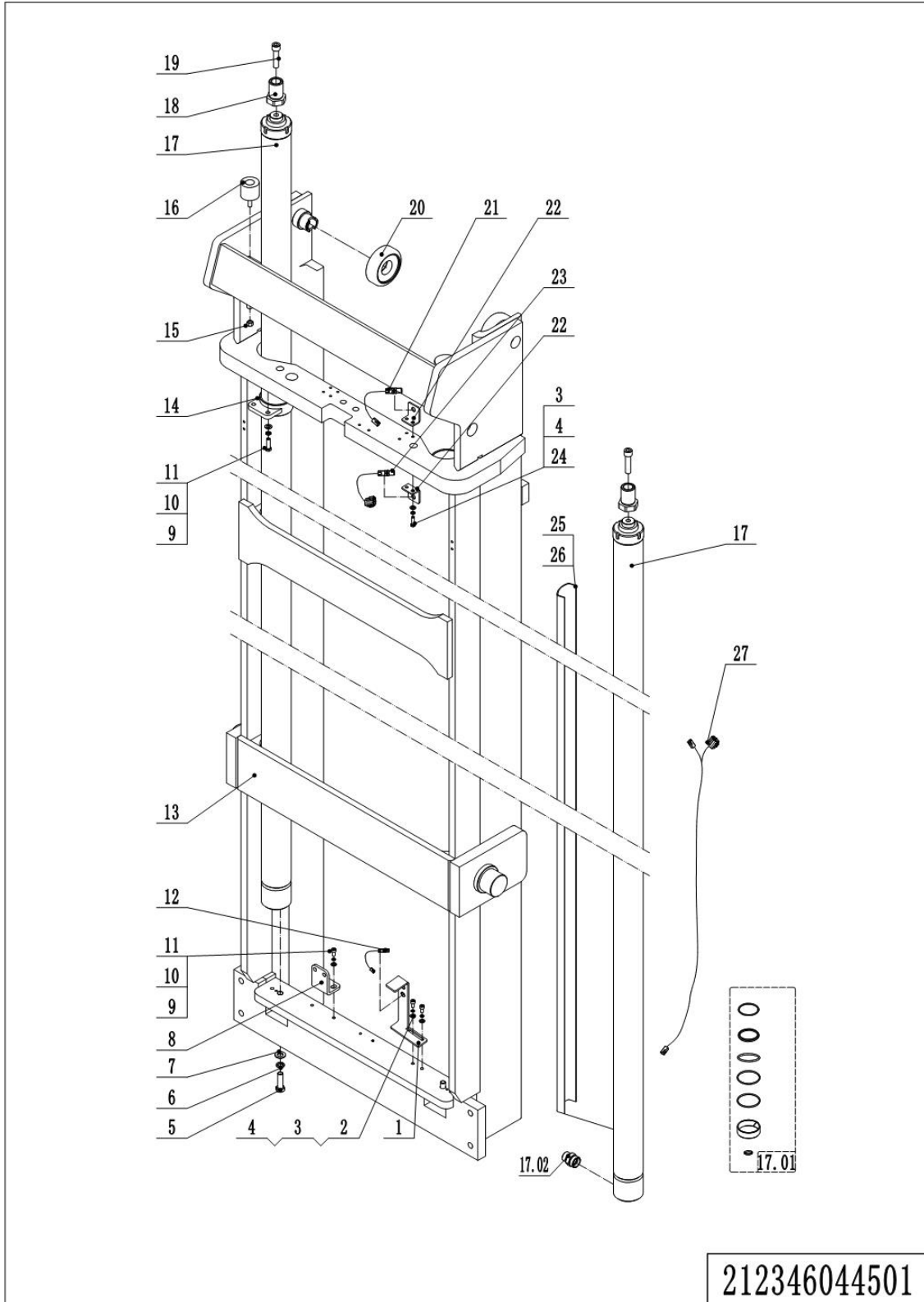
05 Seat (213346037501)

05 Seat (213346037501)

| No. | Item Code | Mark | Item Description | Qty. | Substitute | Note |
|------|--------------|------|------------------|------|------------|------|
| 1 | 213037510000 | | Seat | 1 | | |
| 1.01 | 213098510052 | | Safety Belt | 1 | | |

Chapter 4: Mast

01 Outer Mast (212346044501)

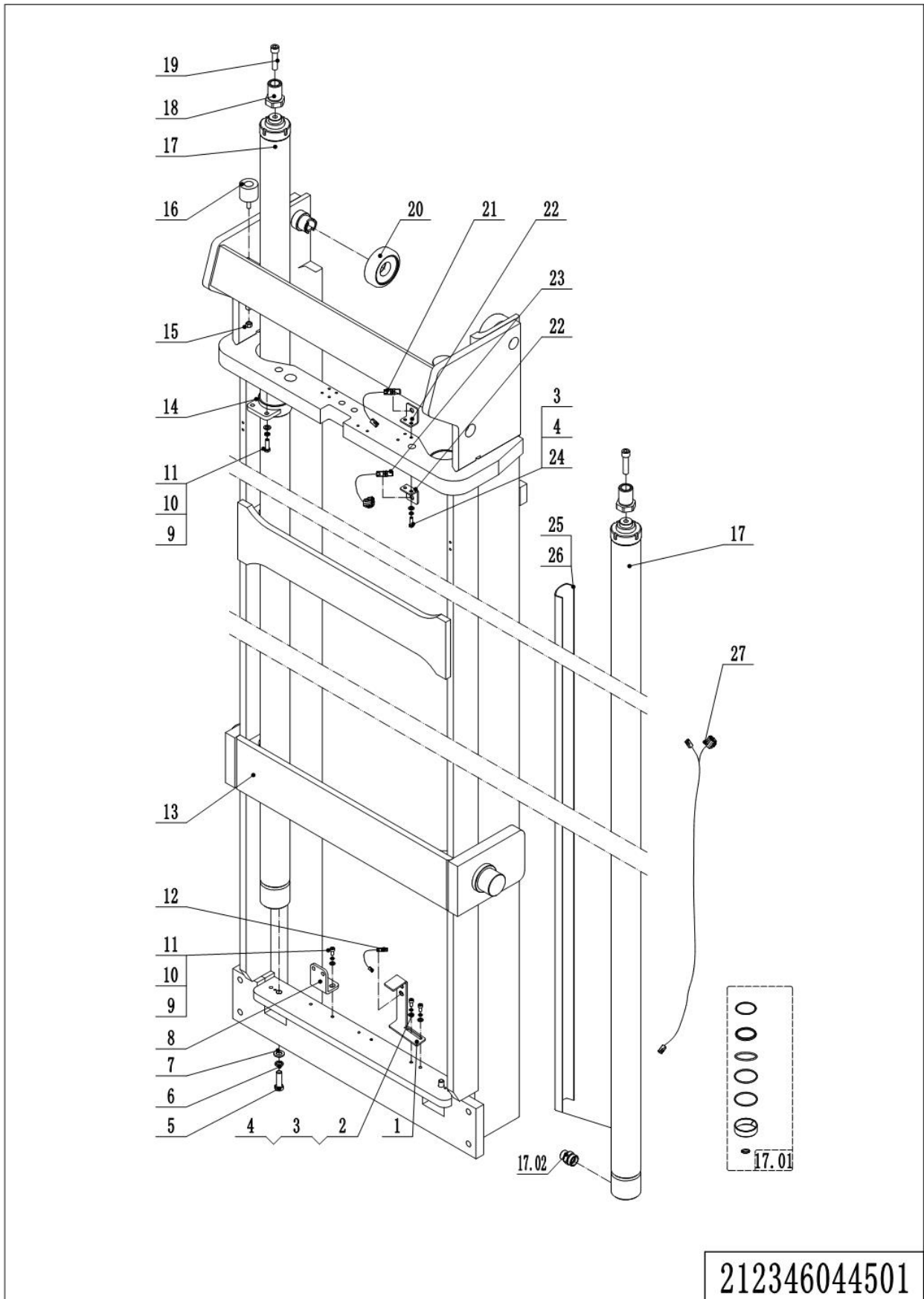


1= Supply as package. 2= Supply with constraints. 3= Phasing-out supply. 4= Supply as assembly. 5= Check other tables.

01 Outer Mast (212346044501)

| No. | Item Code | Mark | Item Description | Qty. | Substitute | Note |
|-----|--------------|------|------------------|------|------------|------|
| 1 | 212144520297 | | Fixing Plate | 1 | | |
| 2 | 910200200033 | | Screw | 2 | | |
| 3 | 910400500005 | | Spring Washer | 6 | | |
| 4 | 910400100005 | | Flat Washer | 6 | | |
| 5 | 910100400012 | | Bolt | 2 | | |
| 6 | 910400500008 | | Spring Washer | 2 | | |
| 7 | 910400100008 | | Flat Washer | 2 | | |
| 8 | 212144520062 | | Fixing Plate | 1 | | |
| 9 | 910200200058 | | Screw | 6 | | |
| 10 | 910400500006 | | Spring Washer | 6 | | |
| 11 | 910400100006 | | Flat Washer | 6 | | |
| 12 | 212133510005 | | Proximity Switch | 1 | | |
| 13 | 212144510005 | | Outer Mast(4500) | 1 | | 4500 |
| 13 | 212144510006 | | Outer Mast(5000) | | | 5000 |
| 13 | 212144510007 | | Outer Mast(5500) | | | 5500 |
| 13 | 212144510008 | | Outer Mast(6000) | | | 6000 |
| 13 | 212144510009 | | Outer Mast(6500) | | | 6500 |
| 13 | 212144510010 | | Outer Mast(7000) | | | 7000 |
| 13 | 212144510011 | | Outer Mast(7500) | | | 7500 |
| 13 | 212144510012 | | Outer Mast(8000) | | | 8000 |
| 13 | 212144510013 | | Outer Mast(8500) | | | 8500 |
| 13 | 212144510014 | | Outer Mast(9000) | | | 9000 |
| 13 | 212144510015 | | Outer Mast(9500) | | | 9500 |
| 14 | 212144510048 | | Fixing Base | 2 | | |
| 15 | 910300500004 | | Nut | 2 | | |
| 16 | 212144520065 | | Crash Pad | 2 | | |
| 17 | 212144510055 | | Cylinder | 2 | | 4500 |
| 17 | 212144510056 | | Cylinder | 2 | | 5000 |
| 17 | 212144510057 | | Cylinder | 2 | | 5500 |
| 17 | 212144510058 | | Cylinder | 2 | | 6000 |

01 Outer Mast (212346044501) Continuation1



212346044501

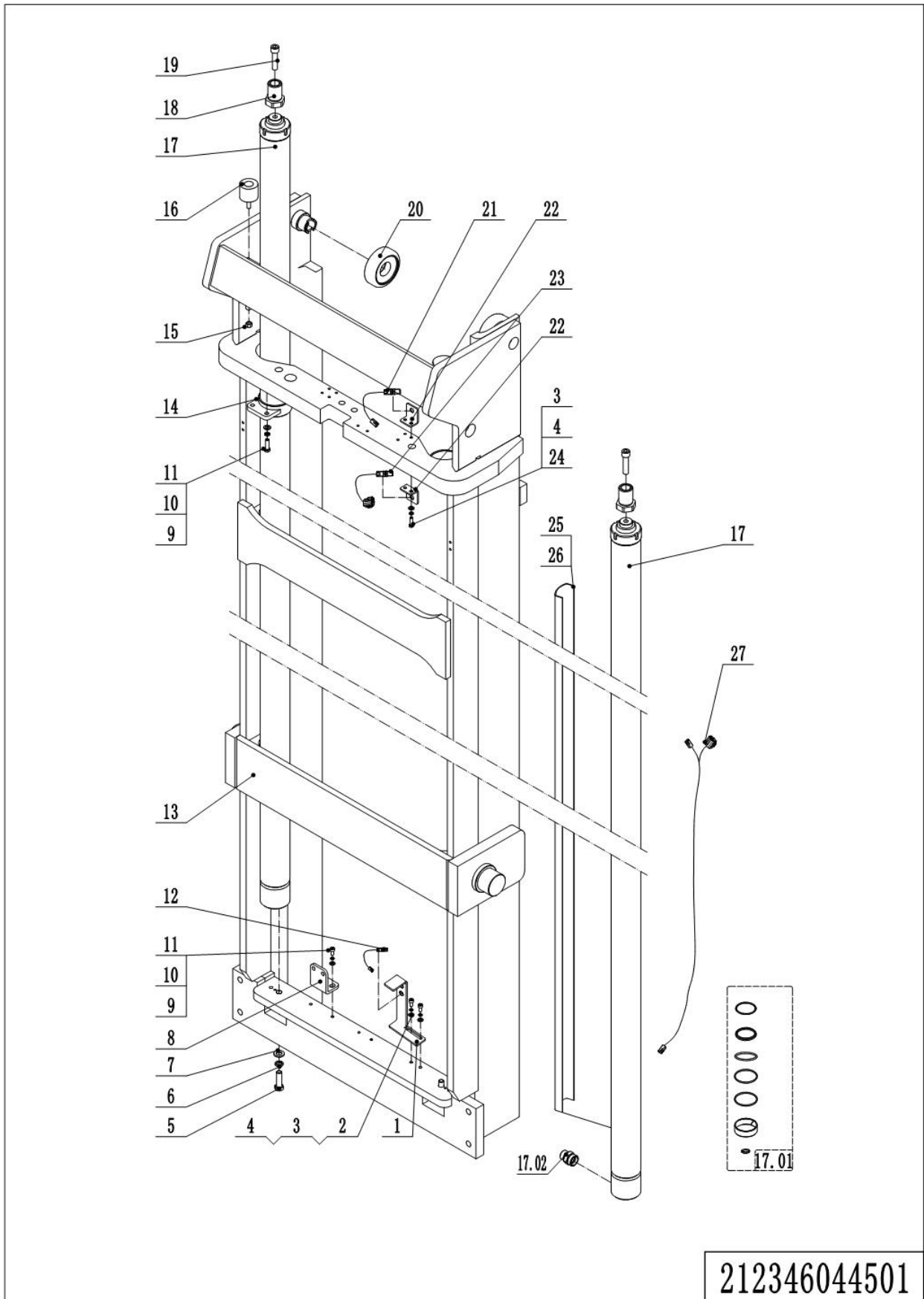
1= Supply as package. 2= Supply with constraints. 3= Phasing-out supply. 4= Supply as assembly. 5= Check other tables.

01 Outer Mast (212346044501) Continuation1

| No. | Item Code | Mark | Item Description | Qty. | Substitute | Note |
|-------|--------------|------|----------------------|------|------------|------------------|
| 17 | 212144510059 | | Cylinder | 2 | | 6500 |
| 17 | 212144510060 | | Cylinder | 2 | | 7000 |
| 17 | 212144510061 | | Cylinder | 2 | | 7500 |
| 17 | 212144510062 | | Cylinder | 2 | | 8000 |
| 17 | 212144510063 | | Cylinder | 2 | | 8500 |
| 17 | 212144510064 | | Cylinder | 2 | | 9000 |
| 17 | 212144510065 | | Cylinder | 2 | | 9500 |
| 17.01 | 212198510002 | | Seal Kit | 1 | | |
| 17.02 | 212198520022 | | Anti-explosion Valve | 1 | | |
| 18 | 212144520060 | | Barrel | 2 | | |
| 19 | 910100300054 | | Bolt | 2 | | |
| 20 | 940200300052 | | Compound Roller | 2 | | Φ89.6, most used |
| 20 | 940200300056 | | Compound Roller | | | Φ89.2 |
| 20 | 940200300043 | | Compound Roller | | | Φ90 |
| 21 | 212133510008 | | Proximity Switch | 1 | | |
| 22 | 212144520061 | | Fixing Plate | 2 | | |
| 23 | 212133510006 | | Proximity Switch | 1 | | |
| 24 | 910200500052 | | Screw | 4 | | |
| 25 | 212144520250 | | Shield | 1 | | Several |
| 25 | 212144520251 | | Shield | 1 | | Several |
| 25 | 212144520252 | | Shield | 1 | | Several |
| 25 | 212144520253 | | Shield | 1 | | Several |
| 25 | 212144520295 | | Shield | 1 | | Several |
| 26 | 911000600007 | | Hose Clamp | 6 | | Several |
| 27 | 212133010019 | | Wire Harness | 1 | | 4500 |
| 27 | 212133010020 | | Wire Harness | 1 | | 5000 |
| 27 | 212133010022 | | Wire Harness | 1 | | 5500 |
| 27 | 212133010023 | | Wire Harness | 1 | | 6000 |
| 27 | 212133010024 | | Wire Harness | 1 | | 6500 |
| 27 | 212133010025 | | Wire Harness | 1 | | 7000 |

1= Supply as package. 2= Supply with constraints. 3= Phasing-out supply. 4= Supply as assembly. 5= Check other tables.

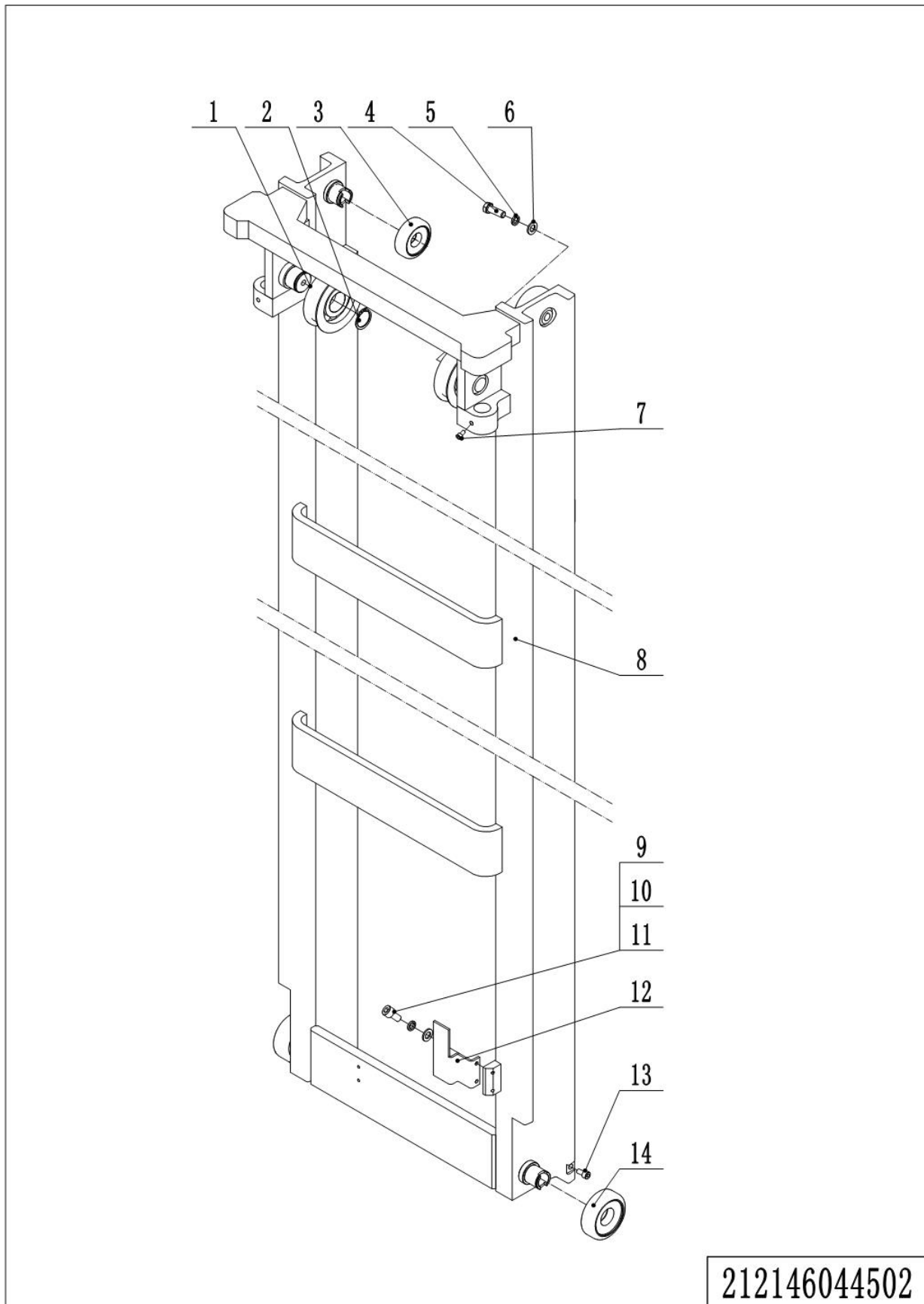
01 Outer Mast (212346044501) Continuation 2



1= Supply as package. 2= Supply with constraints. 3= Phasing-out supply. 4= Supply as assembly. 5= Check other tables.

01 Outer Mast (212346044501) Continuation 2

| No. | Item Code | Mark | Item Description | Qty. | Substitute | Note |
|-----|--------------|------|------------------|------|------------|------|
| 27 | 212133010026 | | Wire Harness | 1 | | 7500 |
| 27 | 212133010027 | | Wire Harness | 1 | | 8000 |
| 27 | 212133010028 | | Wire Harness | 1 | | 8500 |
| 27 | 212133010029 | | Wire Harness | 1 | | 9000 |
| 27 | 212133010017 | | Wire Harness | 1 | | 9500 |

02 Middle Mast (212146044502)

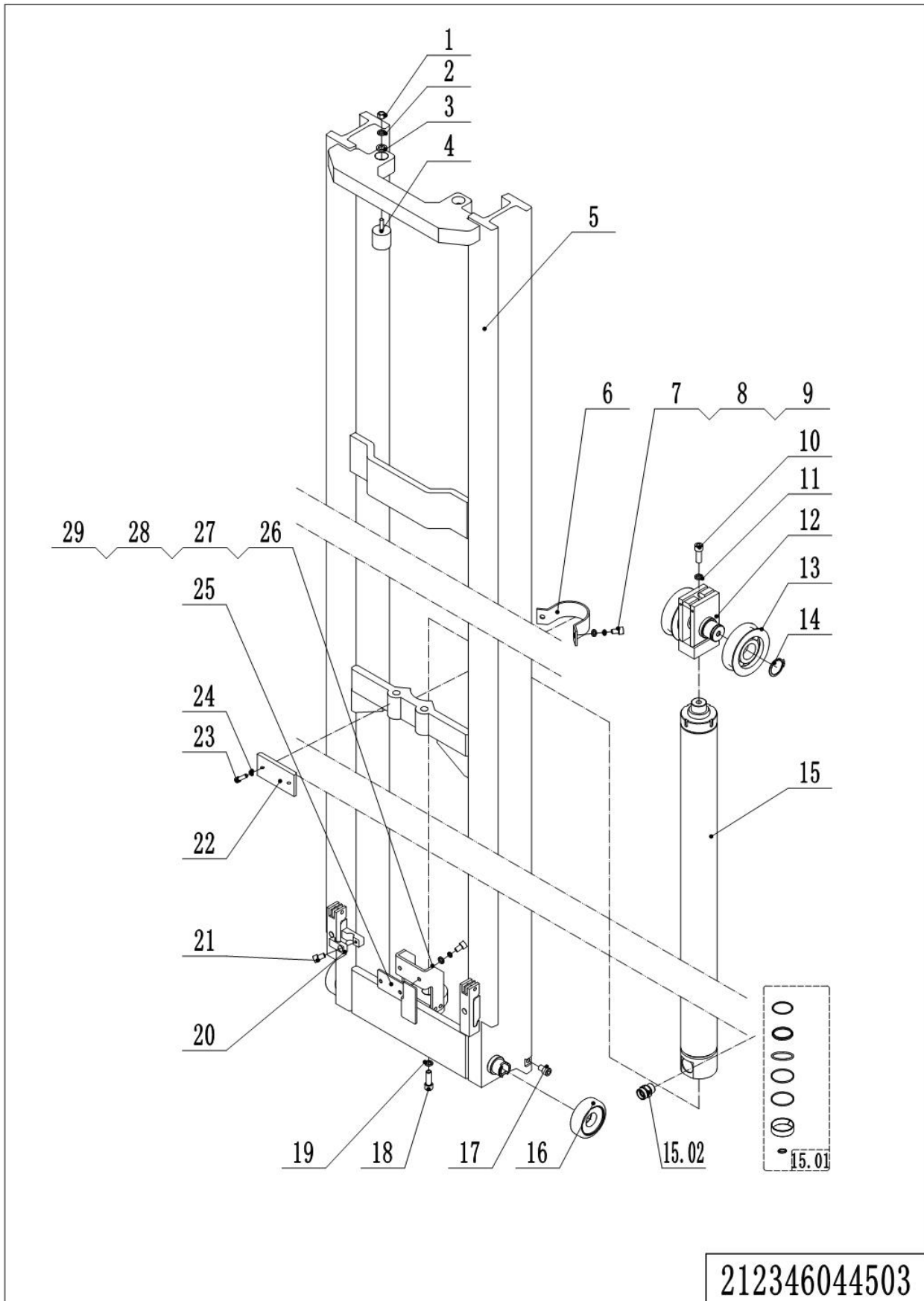
1= Supply as package. 2= Supply with constraints. 3= Phasing-out supply. 4= Supply as assembly. 5= Check other tables.

02 Middle Mast (212146044502)

| No. | Item Code | Mark | Item Description | Qty. | Substitute | Note |
|-----|--------------|------|-------------------|------|------------|-------------------|
| 1 | 940200500001 | | Sprocket Bearing | 2 | | |
| 2 | 910401300020 | | Circlip | 2 | | |
| 3 | 940200300034 | | Compound Roller | 2 | | Φ89.27, most used |
| 3 | 940200300051 | | Compound Roller | | | Φ88.7 |
| 3 | 940200300044 | | Compound Roller | | | Φ90.1 |
| 4 | 910100300051 | | Bolt | 1 | | |
| 5 | 910400500008 | | Spring Washer | 1 | | |
| 6 | 910400100008 | | Flat Washer | 1 | | |
| 7 | 910200900014 | | Screw | 2 | | |
| 8 | 212144510020 | | Middle Mast(4500) | 1 | | 4500 |
| 8 | 212144510021 | | Middle Mast(5000) | 1 | | 5000 |
| 8 | 212144510022 | | Middle Mast(5500) | 1 | | 5500 |
| 8 | 212144510023 | | Middle Mast(6000) | 1 | | 6000 |
| 8 | 212144510024 | | Middle Mast(6500) | 1 | | 6500 |
| 8 | 212144510025 | | Middle Mast(7000) | 1 | | 7000 |
| 8 | 212144510026 | | Middle Mast(7500) | 1 | | 7500 |
| 8 | 212144510027 | | Middle Mast(8000) | 1 | | 8000 |
| 8 | 212144510028 | | Middle Mast(8500) | 1 | | 8500 |
| 8 | 212144510029 | | Middle Mast(9000) | 1 | | 9000 |
| 8 | 212144510030 | | Middle Mast(9500) | 1 | | 9500 |
| 9 | 910200200036 | | Screw | 2 | | |
| 10 | 910400500005 | | Spring Washer | 2 | | |
| 11 | 910400100005 | | Flat Washer | 2 | | |
| 12 | 212144520066 | | Fixing Plate | 1 | | |
| 13 | 910200200096 | | Screw | 2 | | |
| 14 | 940200300052 | | Compound Roller | 2 | | Φ89.6, most used |
| 14 | 940200300056 | | Compound Roller | | | Φ89.2 |
| 14 | 940200300043 | | Compound Roller | | | Φ90 |

1= Supply as package. 2= Supply with constraints. 3= Phasing-out supply. 4= Supply as assembly. 5= Check other tables.

03 Inner Mast (212346044503)

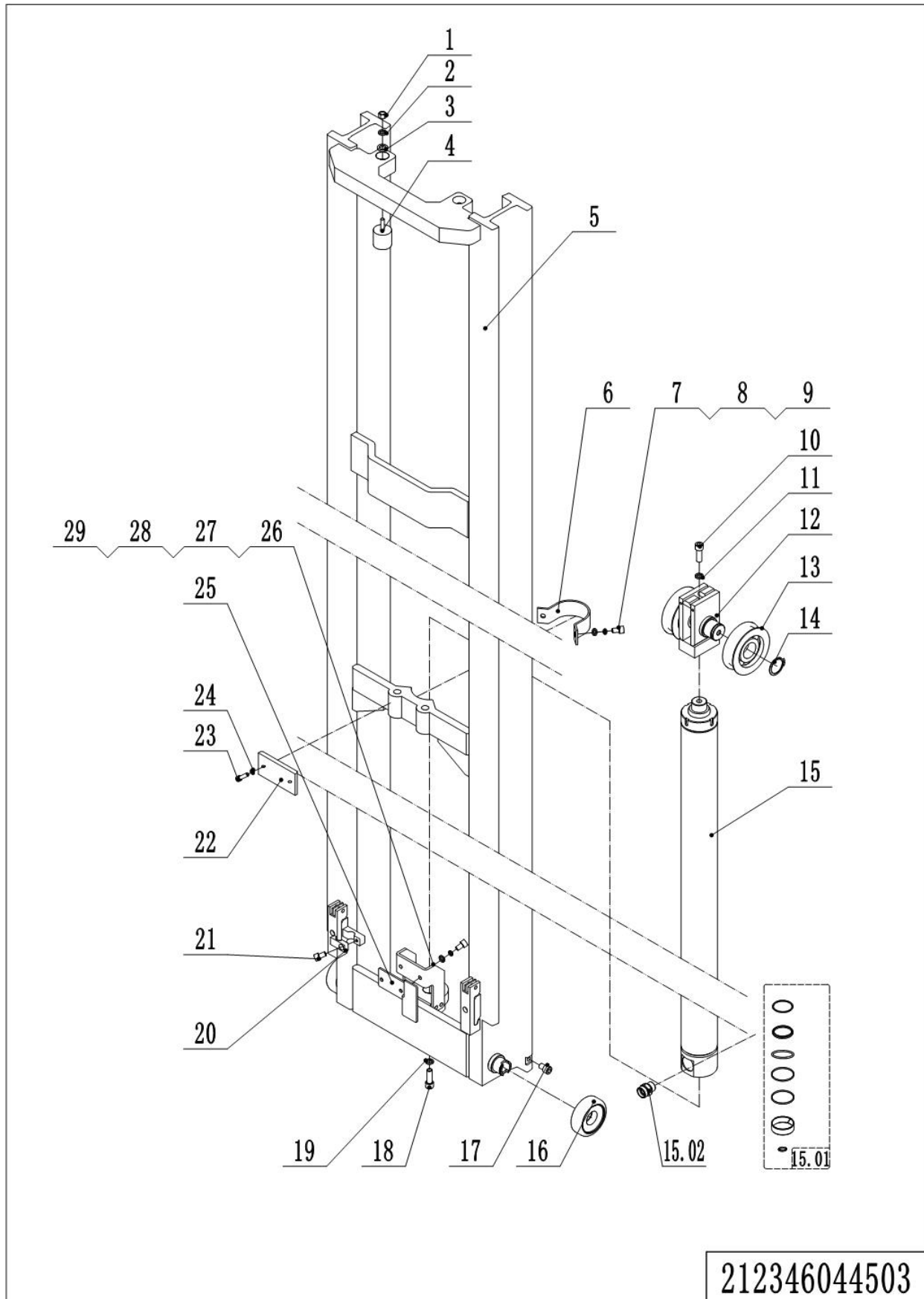


1= Supply as package. 2= Supply with constraints. 3= Phasing-out supply. 4= Supply as assembly. 5= Check other tables.

03 Inner Mast (212346044503)

| No. | Item Code | Mark | Item Description | Qty. | Substitute | Note |
|-----|--------------|------|------------------|------|------------|------|
| 1 | 910300500004 | | Nut | 2 | | |
| 2 | 910400500006 | | Spring Washer | 3 | | |
| 3 | 910400100006 | | Flat Washer | 2 | | |
| 4 | 212144520242 | | Crash Pad | 2 | | |
| 5 | 212144510035 | | Inner Mast(4500) | 1 | | 4500 |
| 5 | 212144510036 | | Inner Mast(5000) | 1 | | 5000 |
| 5 | 212144510037 | | Inner Mast(5500) | 1 | | 5500 |
| 5 | 212144510038 | | Inner Mast(6000) | 1 | | 6000 |
| 5 | 212144510039 | | Inner Mast(6500) | 1 | | 6500 |
| 5 | 212144510040 | | Inner Mast(7000) | 1 | | 7000 |
| 5 | 212144510041 | | Inner Mast(7500) | 1 | | 7500 |
| 5 | 212144510042 | | Inner Mast(8000) | 1 | | 8000 |
| 5 | 212144510043 | | Inner Mast(8500) | 1 | | 8500 |
| 5 | 212144510044 | | Inner Mast(9000) | 1 | | 9000 |
| 5 | 212144510045 | | Inner Mast(9500) | 1 | | 9500 |
| 6 | 212144520068 | | Fixing Plate | 1 | | |
| 7 | 910100200005 | | Bolt | 2 | | |
| 8 | 910400500007 | | Spring Washer | 2 | | |
| 9 | 910400100007 | | Flat Washer | 2 | | |
| 10 | 910200200099 | | Screw | 2 | | |
| 11 | 910400500008 | | Spring Washer | 4 | | |
| 12 | 212144510049 | | Yoke | 1 | | |
| 13 | 940200500001 | | Sprocket Bearing | 2 | | |
| 14 | 910401300020 | | Circlip | 2 | | |
| 15 | 212144510070 | | Cylinder | 1 | | 4500 |
| 15 | 212144510071 | | Cylinder | 1 | | 5000 |
| 15 | 212144510072 | | Cylinder | 1 | | 5500 |
| 15 | 212144510073 | | Cylinder | 1 | | 6000 |
| 15 | 212144510074 | | Cylinder | 1 | | 6500 |
| 15 | 212144510075 | | Cylinder | 1 | | 7000 |

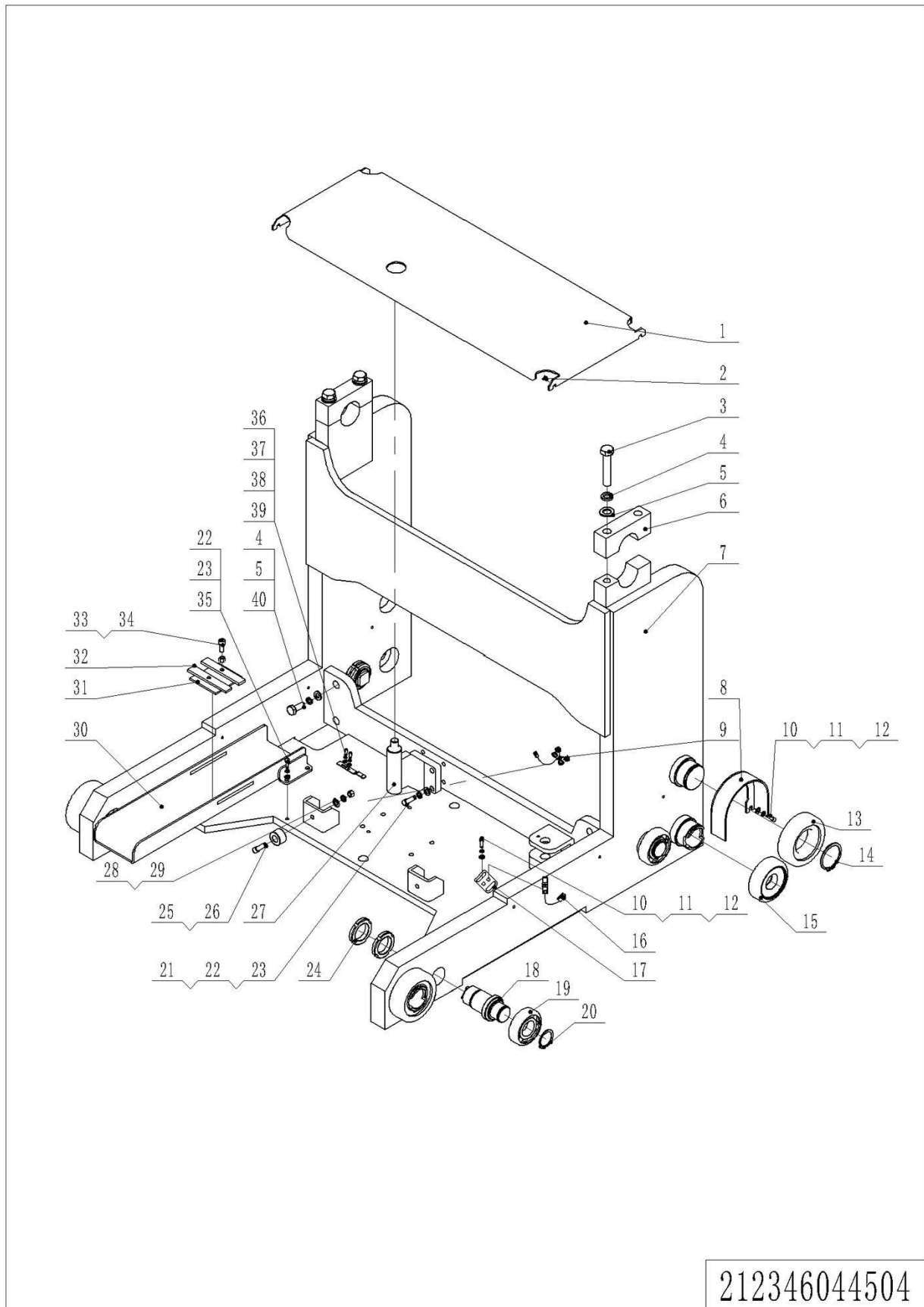
03 Inner Mast (212346044503) Continuation



1= Supply as package. 2= Supply with constraints. 3= Phasing-out supply. 4= Supply as assembly. 5= Check other tables.

03 Inner Mast (212346044503) Continuation

| No. | Item Code | Mark | Item Description | Qty. | Substitute | Note |
|-------|--------------|------|----------------------|------|------------|-------------------|
| 15 | 212144510076 | | Cylinder | 1 | | 7500 |
| 15 | 212144510077 | | Cylinder | 1 | | 8000 |
| 15 | 212144510078 | | Cylinder | 1 | | 8500 |
| 15 | 212144510079 | | Cylinder | 1 | | 9000 |
| 15 | 212144510080 | | Cylinder | 1 | | 9500 |
| 15.01 | 212198510003 | | Seal Kit | 1 | | |
| 15.02 | 212198520036 | | Anti-explosion Valve | 1 | | |
| 16 | 940200300034 | | Compound Roller | 2 | | Φ89.27, most used |
| 16 | 940200300051 | | Compound Roller | | | Φ88.7 |
| 16 | 940200300044 | | Compound Roller | | | Φ90.1 |
| 17 | 910200200096 | | Screw | 2 | | |
| 18 | 910100200005 | | Bolt | 1 | | |
| 19 | 910400100008 | | Flat Washer | 1 | | |
| 20 | 213044520110 | | Pipe Clip | 1 | | |
| 21 | 910200200055 | | Screw | 1 | | |
| 22 | 212144520236 | | Press Plate | 1 | | |
| 23 | 910200500051 | | Screw | 2 | | |
| 24 | 910400500005 | | Spring Washer | 2 | | |
| 25 | 212144520298 | | Mounting Plate | 1 | | |
| 26 | 212144520049 | | Mounting Base | 1 | | |
| 27 | 910400100006 | 1 | Flat Washer | 2 | | |
| 28 | 910400500006 | 1 | Spring Washer | 2 | | |
| 29 | 910200200058 | 1 | Screw | 2 | | |

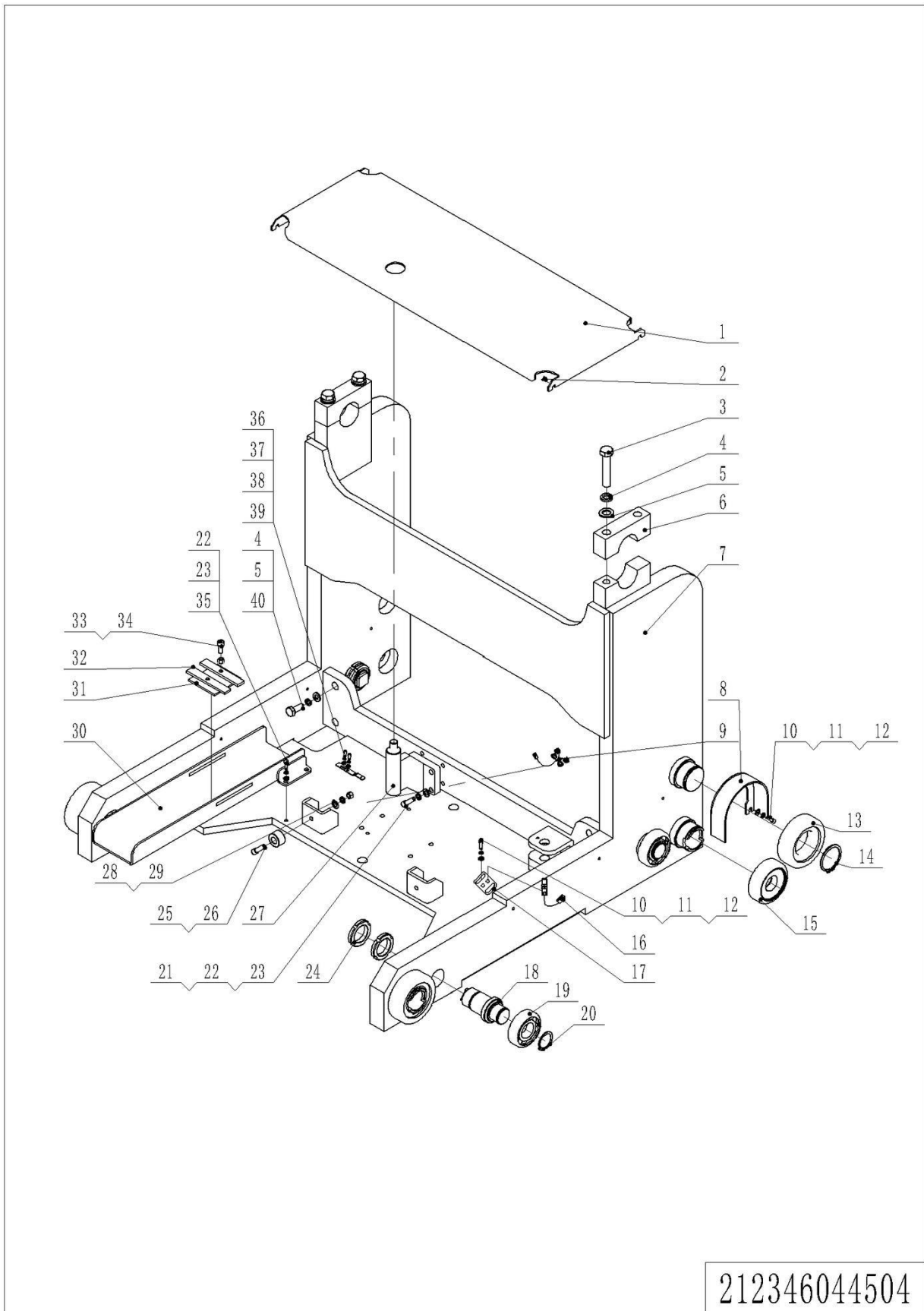
04 Reach Frame (212346044504)

212346044504

04 Reach Frame (212346044504)

| No. | Item Code | Mark | Item Description | Qty. | Substitute | Note |
|-----|--------------|------|------------------|------|------------|----------|
| 1 | 212144520234 | | Close Plate | 1 | | |
| 2 | 910100300009 | | Bolt | 4 | | |
| 3 | 910100400039 | | Bolt | 4 | | |
| 4 | 910400500010 | | Spring Washer | 8 | | |
| 5 | 910400100010 | | Flat Washer | 8 | | |
| 6 | 213344520003 | | Fixing Plate | 2 | | |
| 7 | 212144510050 | | Frame | 1 | | |
| 8 | 212144510081 | | Protective Cover | 2 | | |
| 9 | 212333010002 | | Wire Harness | 1 | | Curtis |
| 9 | 213433010005 | | Wire Harness | 1 | | Inmotion |
| 10 | 910200200036 | | Screw | 10 | | |
| 11 | 910400100005 | | Flat Washer | 10 | | |
| 12 | 910400500005 | | Spring Washer | 10 | | |
| 13 | 940200100042 | | Main Roller | 2 | | |
| 14 | 910401300026 | | Circlip | 6 | | |
| 15 | 940200300042 | | Compound Roller | 4 | | |
| 16 | 212133510002 | | Proximity Switch | 1 | | |
| 17 | 212144520235 | | Fixing Plate | 1 | | |
| 18 | 212144520218 | | Axle | 4 | | |
| 19 | 940200100008 | | Main Roller | 4 | | |
| 20 | 910401300018 | | Circlip | 4 | | |
| 21 | 910200200079 | | Screw | 4 | | |
| 22 | 910400100007 | | Flat Washer | 4 | | |
| 23 | 910400500007 | | Spring Washer | 4 | | |
| 24 | 910300800008 | | Nut | 8 | | |
| 25 | 532621520062 | | Crash Pad | 2 | | |
| 26 | 910200200060 | | Screw | 2 | | |
| 27 | 212144510051 | | Fixing Base | 1 | | |
| 28 | 910300500004 | | Nut | 2 | | |
| 29 | 910400100006 | | Flat Washer | 8 | | |

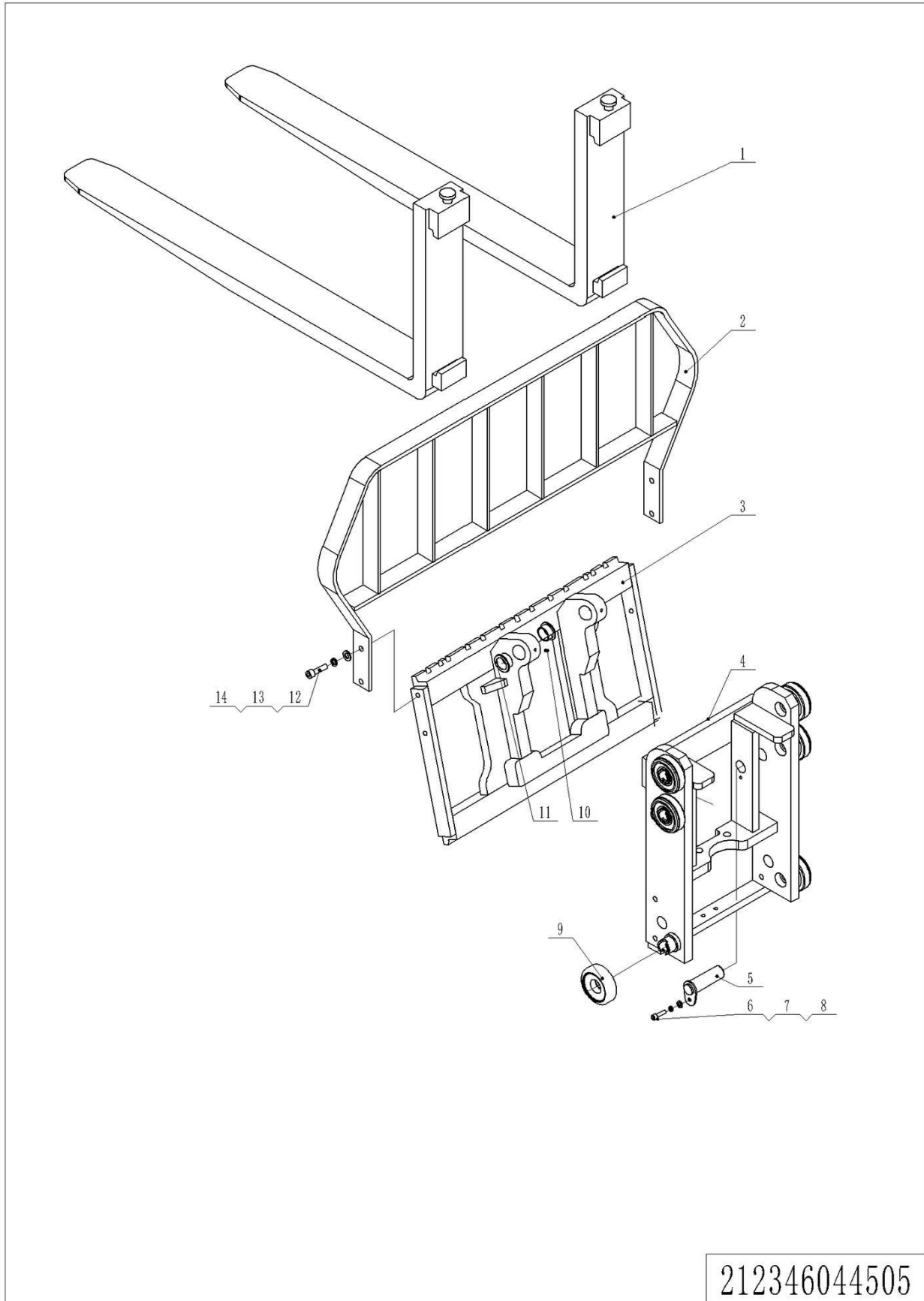
04 Reach Frame (212346044504) Continuation



1= Supply as package. 2= Supply with constraints. 3= Phasing-out supply. 4= Supply as assembly. 5= Check other tables.

04 Reach Frame (212346044504) Continuation

| No. | Item Code | Mark | Item Description | Qty. | Substitute | Note |
|-----|--------------|------|------------------|------|------------|------|
| 30 | 212125010000 | | Guide Slot | 1 | | |
| 31 | 212125020011 | | Plate | 1 | | |
| 32 | 212125020030 | | Press Plate | 2 | | |
| 33 | 910200200058 | | Screw | 4 | | |
| 34 | 910300100006 | | Nut | 4 | | |
| 35 | 910200200057 | | Screw | 4 | | |
| 36 | 910200500037 | | Screw | 8 | | |
| 37 | 910400500004 | | Spring Washer | 8 | | |
| 38 | 910400100004 | | Flat Washer | 8 | | |
| 39 | 921300300005 | | Holder | 4 | | |
| 40 | 910100200014 | | Bolt | 4 | | |

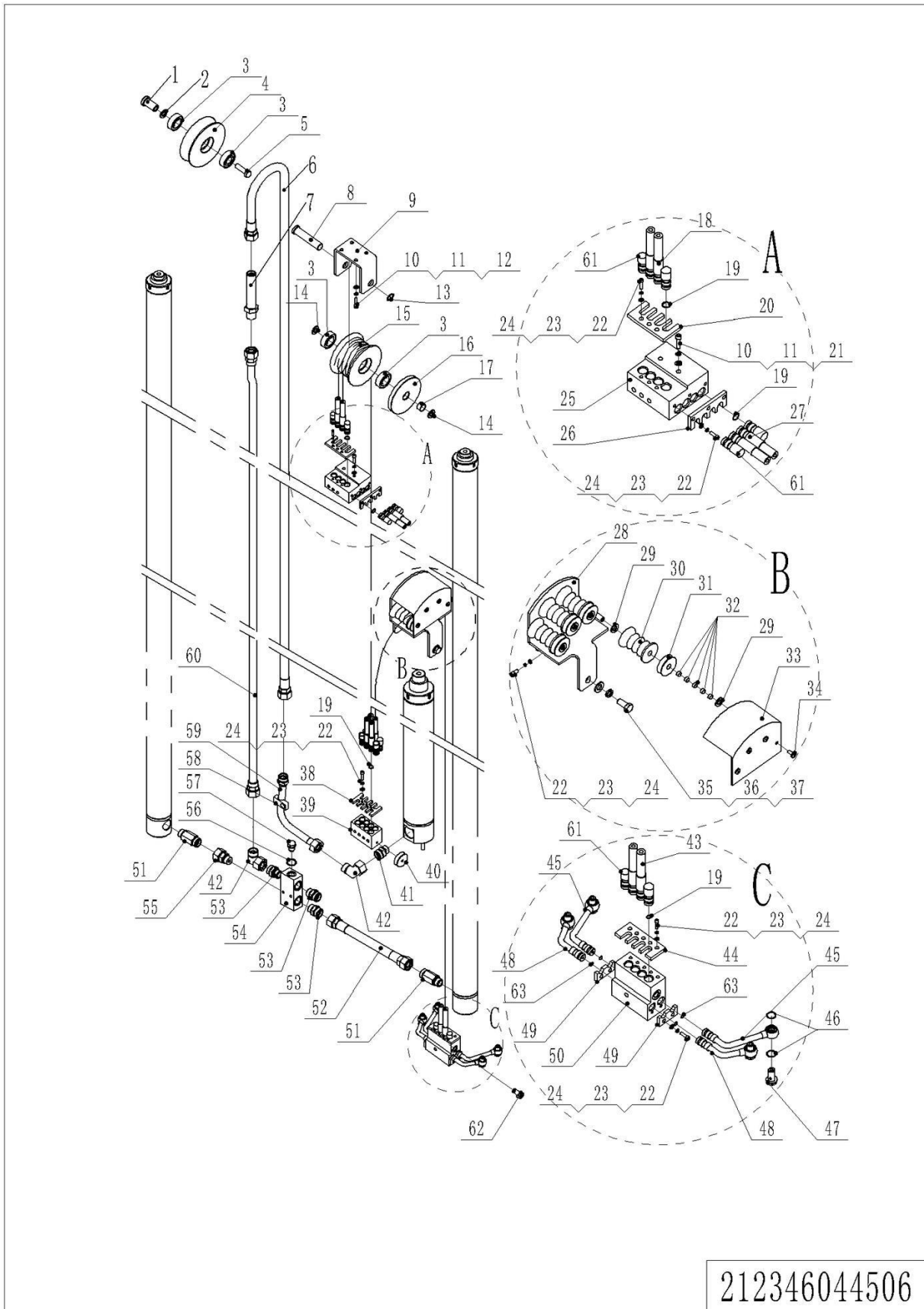
05 Fork Carriage (212346044505)

1= Supply as package. 2= Supply with constraints. 3= Phasing-out supply. 4= Supply as assembly. 5= Check other tables.

05 Fork Carriage (212346044505)

| No. | Item Code | Mark | Item Description | Qty. | Substitute | Note |
|-----|--------------|------|------------------|------|------------|----------------------|
| 1 | 940100100008 | | Fork120x40x1070 | 2 | | 1070 |
| 1 | 940100100009 | | Fork120x40x1220 | 2 | | 1220 |
| 1 | 940100100010 | | Fork120x40x1150 | 2 | | 1150 |
| 1 | 940100100011 | | Fork120x40x1370 | 2 | | 1370 |
| 1 | 940100100012 | | Fork120x40x1520 | 2 | | 1520 |
| 1 | 940100100030 | | Fork120x40x1820 | 2 | | 1820 |
| 1 | 940100100037 | | Fork120x40x1100 | 2 | | 1100 |
| 2 | 212140510000 | | Load Backrest | 1 | | |
| 3 | 212138010005 | | Fork | 1 | | |
| 3 | 940100200006 | | Side Shifter | 1 | | Side Shift Dedicated |
| 4 | 212138010000 | | Carriage | 1 | | |
| 5 | 212138010003 | | Pin | 2 | | |
| 6 | 910200300025 | | Screw | 2 | | |
| 7 | 910400100006 | | Flat Washer | 2 | | |
| 8 | 910400500019 | | Spring Washer | 2 | | |
| 9 | 940200300034 | | Compound Roller | 2 | | Φ89.27, most used |
| 9 | 940200300051 | | Compound Roller | | | Φ88.7 |
| 9 | 940200300044 | | Compound Roller | | | Φ90.1 |
| 10 | 911200100002 | | Oil Cup | 2 | | |
| 11 | 940500400013 | | Bearing | 4 | | |
| 12 | 910100300050 | | Bolt | 4 | | |
| 13 | 910400500008 | | Spring Washer | 4 | | |
| 14 | 910400100008 | | Flat Washer | 4 | | |

06 Mast Hydraulic Circuit 3 (212346044506)



212346044506

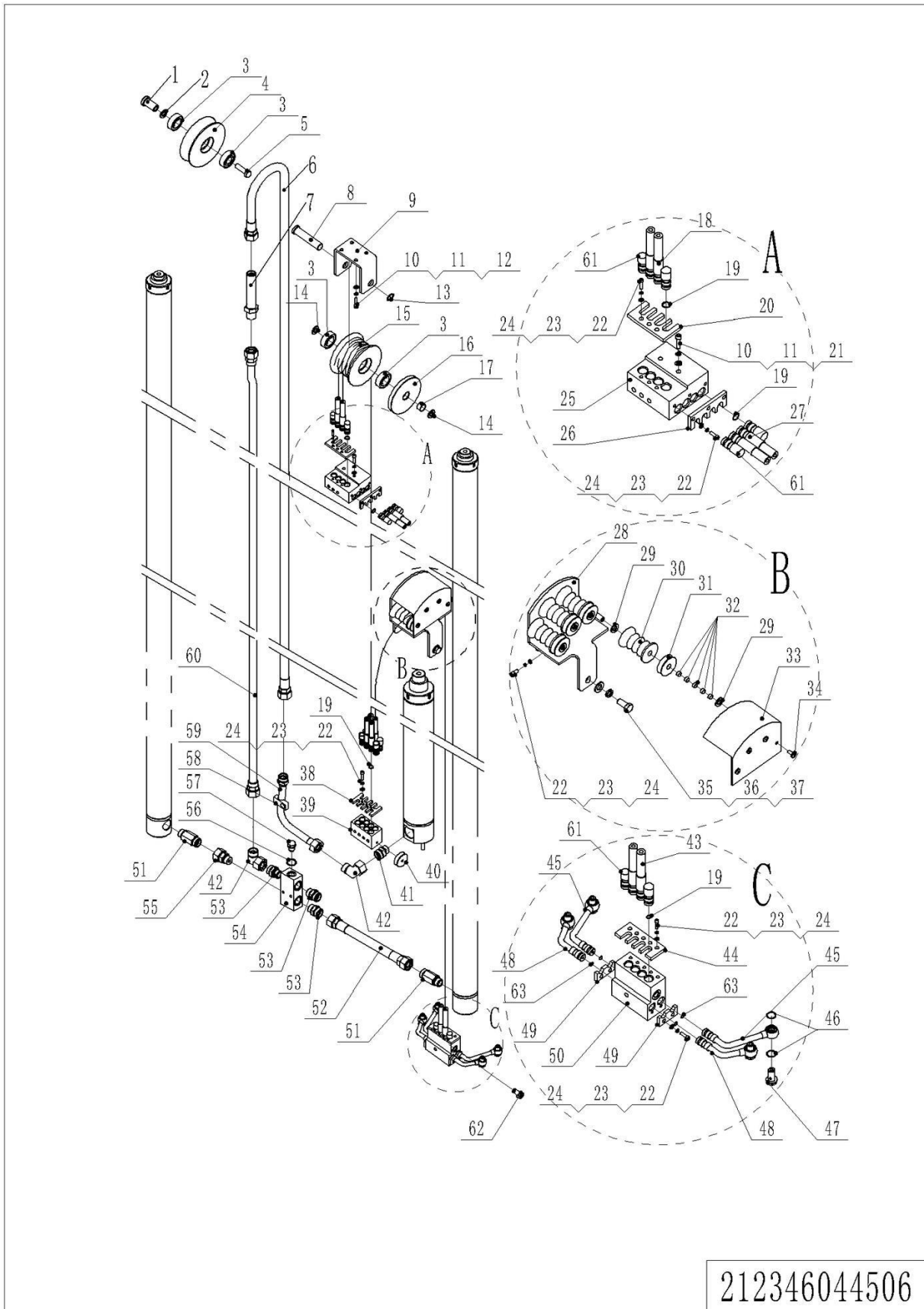
1= Supply as package. 2= Supply with constraints. 3= Phasing-out supply. 4= Supply as assembly. 5= Check other tables.

06 Mast Hydraulic Circuit 3 (212346044506)

| No. | Item Code | Mark | Item Description | Qty. | Substitute | Note |
|-----|--------------|------|------------------|------|------------|------|
| 1 | 212144520051 | | Pin | 1 | | |
| 2 | 212144520052 | | Washer | 1 | | |
| 3 | 910700200019 | | Bearing | 4 | | |
| 4 | 212144520050 | | Pulley | 1 | | |
| 5 | 910100300057 | | Bolt | 1 | | |
| 6 | 212144520130 | | Hose | 1 | | 4500 |
| 6 | 212144520131 | | Hose | 1 | | 5000 |
| 6 | 212144520132 | | Hose | 1 | | 5500 |
| 6 | 212144520133 | | Hose | 1 | | 6000 |
| 6 | 212144520134 | | Hose | 1 | | 6500 |
| 6 | 212144520135 | | Hose | 1 | | 7000 |
| 6 | 212144520136 | | Hose | 1 | | 7500 |
| 6 | 212144520137 | | Hose | 1 | | 8000 |
| 6 | 212144520138 | | Hose | 1 | | 8500 |
| 6 | 212144520139 | | Hose | 1 | | 9000 |
| 6 | 212144520140 | | Hose | 1 | | 9500 |
| 7 | 950400500003 | | Joint | 1 | | |
| 8 | 212144520057 | | Pin | 1 | | |
| 9 | 212144520044 | | Mounting Base | 1 | | |
| 10 | 910400100006 | | Flat Washer | 10 | | |
| 11 | 910400500006 | | Spring Washer | 15 | | |
| 12 | 910200200058 | | Screw | 13 | | |
| 13 | 910401300011 | | Circlip | 1 | | |
| 14 | 212144520056 | | Washer | 2 | | |
| 15 | 212144520053 | | Pulley | 1 | | |
| 16 | 212144520054 | | Pulley | 1 | | |
| 17 | 940500100016 | | Bushing | 1 | | |
| 18 | 212144520100 | | Hose | 4 | | 4500 |
| 18 | 212144520101 | | Hose | 4 | | 5000 |
| 18 | 212144520102 | | Hose | 4 | | 5500 |

1= Supply as package. 2= Supply with constraints. 3= Phasing-out supply. 4= Supply as assembly. 5= Check other tables.

06 Mast Hydraulic Circuit 3 (212346044506) Continuation1

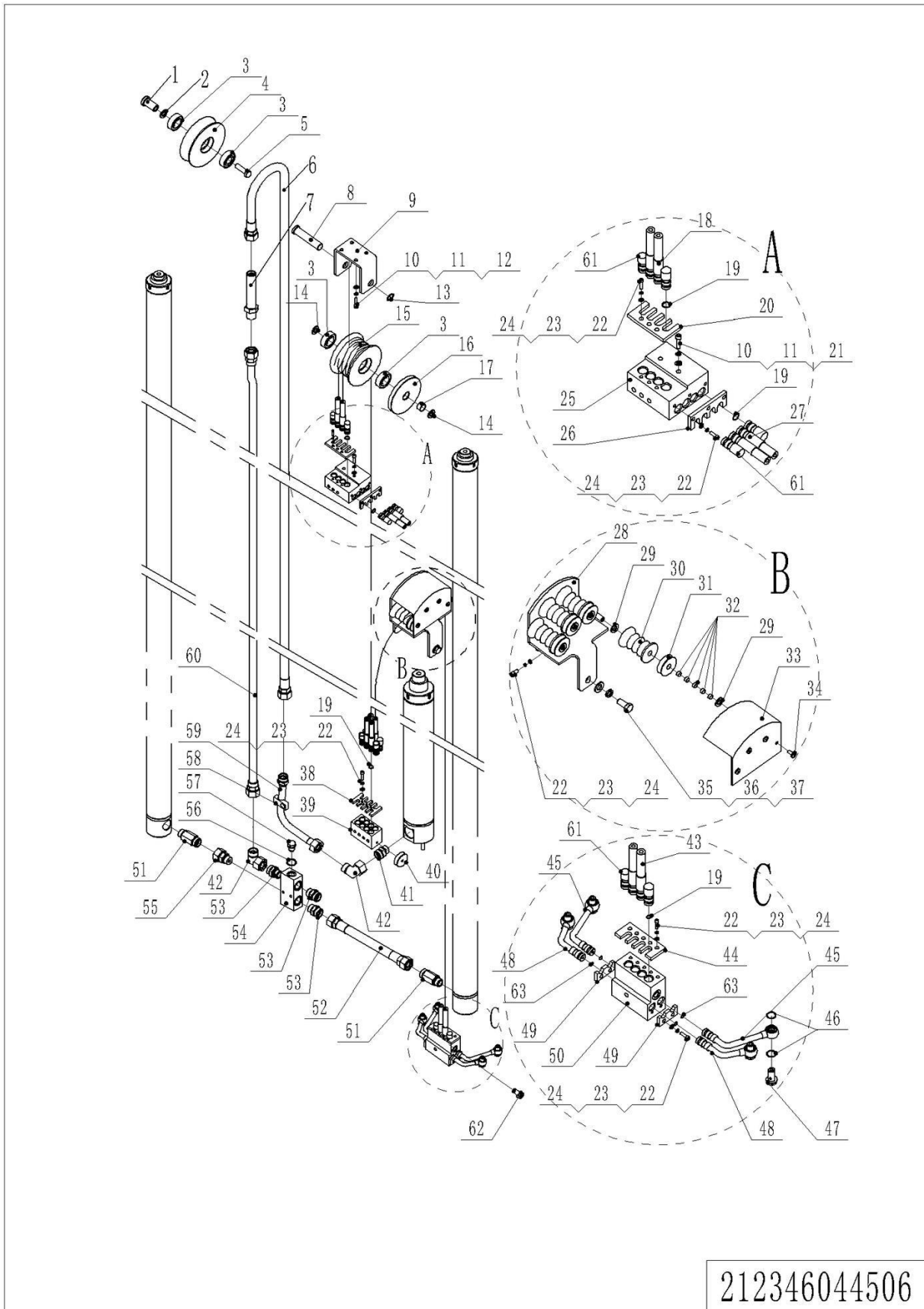


212346044506

06 Mast Hydraulic Circuit 3 (212346044506) Continuation1

| No. | Item Code | Mark | Item Description | Qty. | Substitute | Note |
|-----|--------------|------|------------------|------|------------|------|
| 18 | 212144520103 | | Hose | 4 | | 6000 |
| 18 | 212144520104 | | Hose | 4 | | 6500 |
| 18 | 212144520105 | | Hose | 4 | | 7000 |
| 18 | 212144520106 | | Hose | 4 | | 7500 |
| 18 | 212144520107 | | Hose | 4 | | 8000 |
| 18 | 212144520108 | | Hose | 4 | | 8500 |
| 18 | 212144520109 | | Hose | 4 | | 9000 |
| 18 | 212144520110 | | Hose | 4 | | 9500 |
| 19 | 910800100124 | | O-Ring | 26 | | |
| 20 | 212144520045 | | Plate | 1 | | |
| 21 | 910200200062 | | Screw | 2 | | |
| 22 | 910200200035 | | Screw | 16 | | |
| 23 | 910400500005 | | Spring Washer | 16 | | |
| 24 | 910400100005 | | Flat Washer | 16 | | |
| 25 | 212144520047 | | Valve Block | 1 | | |
| 26 | 212144520046 | | Plate | 1 | | |
| 27 | 212125020015 | | Hose | 4 | | 4500 |
| 27 | 212125020026 | | Hose | 4 | | 5000 |
| 27 | 212125020027 | | Hose | 4 | | 5500 |
| 27 | 212125020018 | | Hose | 4 | | 6000 |
| 27 | 212125020019 | | Hose | 4 | | 6500 |
| 27 | 212125020020 | | Hose | 4 | | 7000 |
| 27 | 212125020021 | | Hose | 4 | | 7500 |
| 27 | 212125020022 | | Hose | 4 | | 8000 |
| 27 | 212125020023 | | Hose | 4 | | 8500 |
| 27 | 212125020024 | | Hose | 4 | | 9000 |
| 27 | 212125020025 | | Hose | 4 | | 9500 |
| 28 | 212144510047 | | Wheel Casing | 1 | | |
| 29 | 910400100007 | | Flat Washer | 8 | | |
| 30 | 212144520058 | | Pulley | 4 | | |

06 Mast Hydraulic Circuit 3 (212346044506) Continuation 2



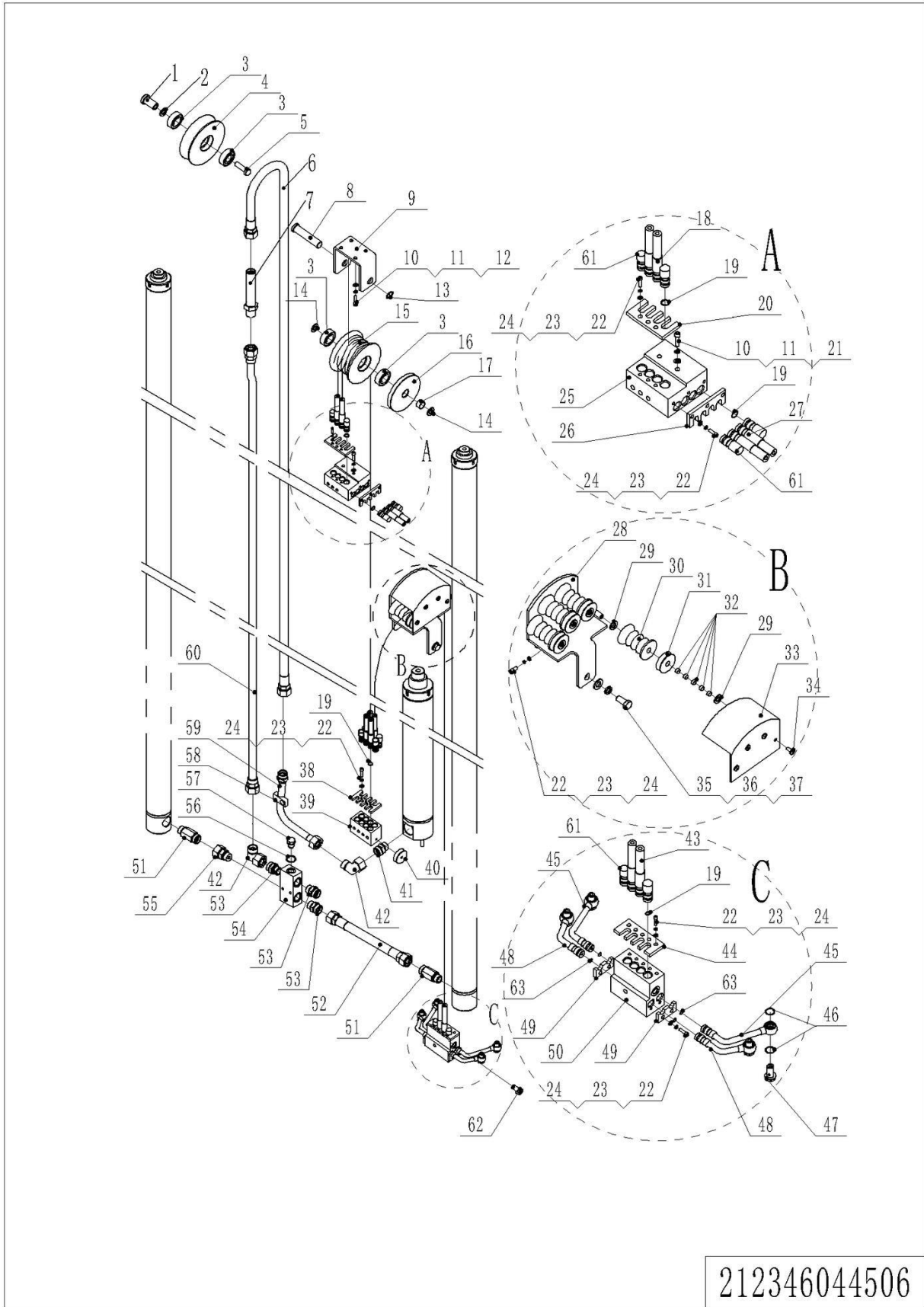
212346044506

06 Mast Hydraulic Circuit 3 (212346044506) Continuation 2

| No. | Item Code | Mark | Item Description | Qty. | Substitute | Note |
|-----|--------------|------|----------------------|------|------------|------|
| 31 | 212144520059 | | Pulley | 4 | | |
| 32 | 940500100079 | | Bushing | 20 | | |
| 33 | 212144510046 | | Wheel Casing | 1 | | |
| 34 | 910200500052 | | Screw | 4 | | |
| 35 | 910100300048 | | Bolt | 2 | | |
| 36 | 910400500008 | | Spring Washer | 3 | | |
| 37 | 910400100008 | | Flat Washer | 2 | | |
| 38 | 212144520040 | | Plate | 1 | | |
| 39 | 212144520039 | | Valve Block | 1 | | |
| 40 | 212144520037 | | Pulley | 1 | | |
| 41 | 212198520036 | | Anti-explosion Valve | 1 | | |
| 42 | 950400200006 | | Joint | 2 | | |
| 43 | 212144520085 | | Hose | 4 | | 4500 |
| 43 | 212144520086 | | Hose | 4 | | 5000 |
| 43 | 212144520087 | | Hose | 4 | | 5500 |
| 43 | 212144520088 | | Hose | 4 | | 6000 |
| 43 | 212144520089 | | Hose | 4 | | 6500 |
| 43 | 212144520090 | | Hose | 4 | | 7000 |
| 43 | 212144520091 | | Hose | 4 | | 7500 |
| 43 | 212144520092 | | Hose | 4 | | 8000 |
| 43 | 212144520093 | | Hose | 4 | | 8500 |
| 43 | 212144520094 | | Hose | 4 | | 9000 |
| 43 | 212144520095 | | Hose | 4 | | 9500 |
| 44 | 212144520032 | | Plate | 1 | | |
| 45 | 212144520033 | | Steel Tube | 2 | | |
| 46 | 910800100125 | | O-Ring | 4 | | |
| 47 | 212144520042 | | Bolt | 4 | | |
| 48 | 212144520034 | | Steel Tube | 2 | | |
| 49 | 212144520031 | | Plate | 2 | | |
| 50 | 212144520030 | | Valve Block | 1 | | |

1= Supply as package. 2= Supply with constraints. 3= Phasing-out supply. 4= Supply as assembly. 5= Check other tables.

06 Mast Hydraulic Circuit 3 (212346044506) Continuation 3



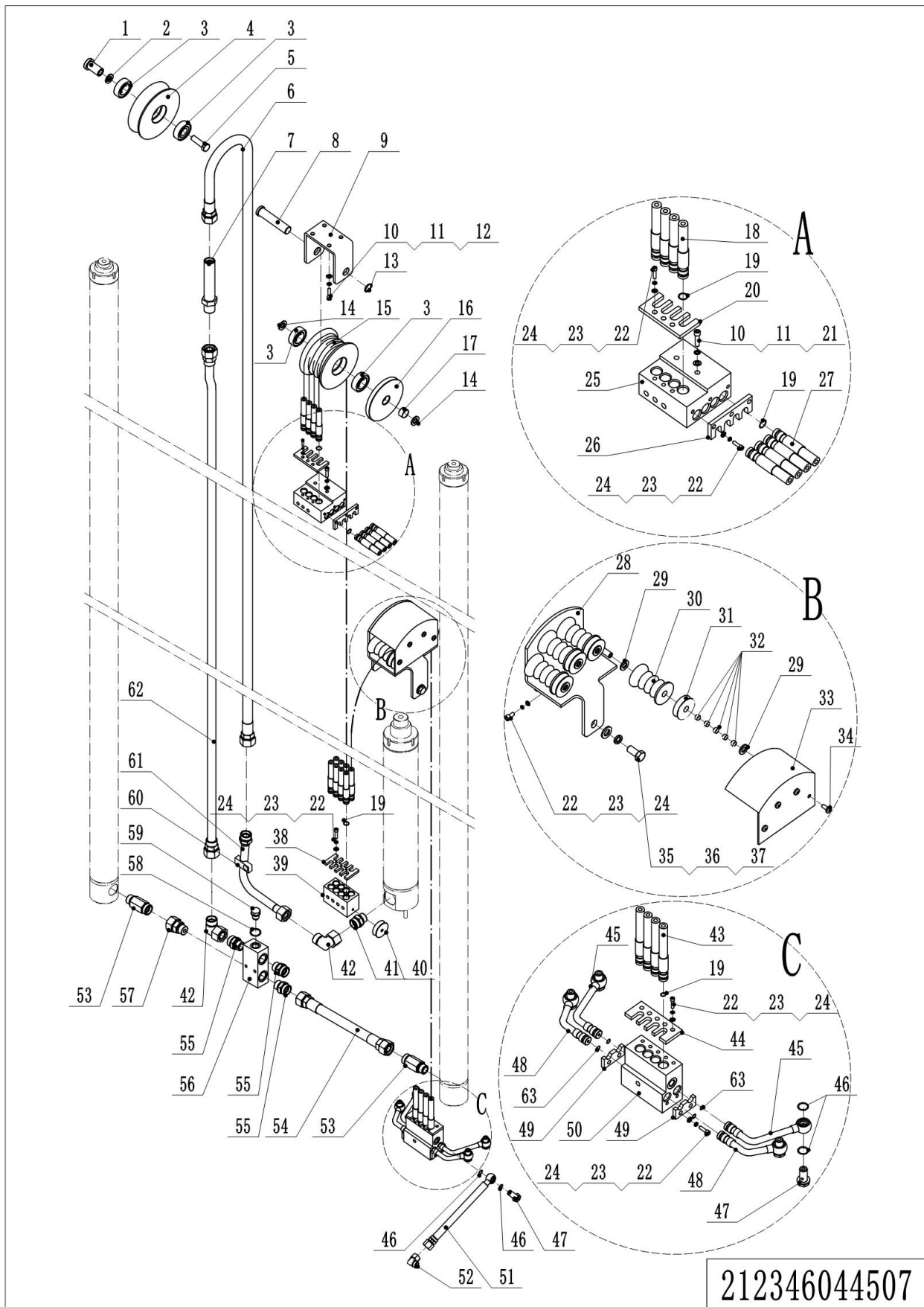
212346044506

1= Supply as package. 2= Supply with constraints. 3= Phasing-out supply. 4= Supply as assembly. 5= Check other tables.

06 Mast Hydraulic Circuit 3 (212346044506) Continuation 3

| No. | Item Code | Mark | Item Description | Qty. | Substitute | Note |
|-----|--------------|------|----------------------|------|------------|---------|
| 51 | 212198520022 | | Anti-explosion Valve | 2 | | |
| 52 | 212144520036 | | Hose | 1 | | |
| 53 | 950400400011 | | Joint | 3 | | |
| 54 | 212144520041 | | Valve Block | 1 | | |
| 55 | 950400100003 | | Joint | 1 | | |
| 56 | 910800900005 | | Bonded Washer | 1 | | |
| 57 | 911300100001 | | Screw Plug | 1 | | |
| 58 | 213044520110 | | Pipe Clip | 1 | | |
| 59 | 212144520048 | | Steel Tube | 1 | | |
| 60 | 212144520115 | | Steel Tube | 1 | | 4500 |
| 60 | 212144520116 | | Steel Tube | 1 | | 5000 |
| 60 | 212144520117 | | Steel Tube | 1 | | 5500 |
| 60 | 212144520118 | | Steel Tube | 1 | | 6000 |
| 60 | 212144520119 | | Steel Tube | 1 | | 6500 |
| 60 | 212144520120 | | Steel Tube | 1 | | 7000 |
| 60 | 212144520121 | | Steel Tube | 1 | | 7500 |
| 60 | 212144520122 | | Steel Tube | 1 | | 8000 |
| 60 | 212144520123 | | Steel Tube | 1 | | 8500 |
| 60 | 212144520124 | | Steel Tube | 1 | | 9000 |
| 60 | 212144520125 | | Steel Tube | 1 | | 9500 |
| 61 | 212344520000 | | Plug | 10 | | |
| 62 | 951100300002 | | Plug | 2 | | M12x1.5 |
| 63 | 910800100061 | | O-Ring | 4 | | |

07 Mast Hydraulic Circuit 4 (212346044507)

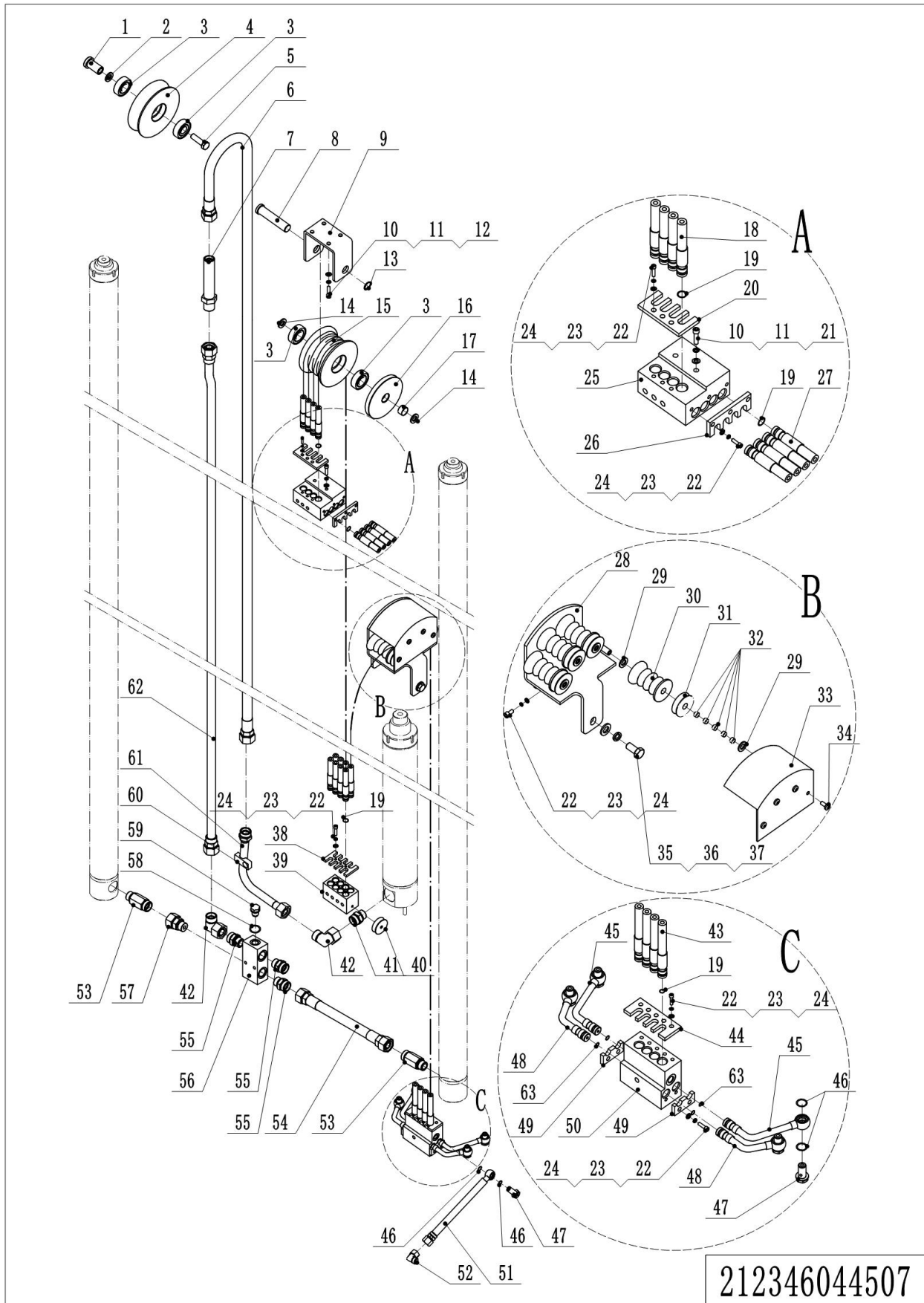


1= Supply as package. 2= Supply with constraints. 3= Phasing-out supply. 4= Supply as assembly. 5= Check other tables.

07 Mast Hydraulic Circuit 4 (212346044507)

| No. | Item Code | Mark | Item Description | Qty. | Substitute | Note |
|-----|--------------|------|------------------|------|------------|------|
| 1 | 212144520051 | | Pin | 1 | | |
| 2 | 212144520052 | | Washer | 1 | | |
| 3 | 910700200019 | | Bearing | 4 | | |
| 4 | 212144520050 | | Pulley | 1 | | |
| 5 | 910100300057 | | Bolt | 1 | | |
| 6 | 212144520130 | | Hose | 1 | | 4500 |
| 6 | 212144520131 | | Hose | 1 | | 5000 |
| 6 | 212144520132 | | Hose | 1 | | 5500 |
| 6 | 212144520133 | | Hose | 1 | | 6000 |
| 6 | 212144520134 | | Hose | 1 | | 6500 |
| 6 | 212144520135 | | Hose | 1 | | 7000 |
| 6 | 212144520136 | | Hose | 1 | | 7500 |
| 6 | 212144520137 | | Hose | 1 | | 8000 |
| 6 | 212144520138 | | Hose | 1 | | 8500 |
| 6 | 212144520139 | | Hose | 1 | | 9000 |
| 6 | 212144520140 | | Hose | 1 | | 9500 |
| 7 | 950400500003 | | Joint | 1 | | |
| 8 | 212144520057 | | Pin | 1 | | |
| 9 | 212144520044 | | Mounting Base | 1 | | |
| 10 | 910400100006 | | Flat Washer | 10 | | |
| 11 | 910400500006 | | Spring Washer | 15 | | |
| 12 | 910200200058 | | Screw | 13 | | |
| 13 | 910401300011 | | Circlip | 1 | | |
| 14 | 212144520056 | | Washer | 2 | | |
| 15 | 212144520053 | | Pulley | 1 | | |
| 16 | 212144520054 | | Pulley | 1 | | |
| 17 | 940500100016 | | Bushing | 1 | | |
| 18 | 212144520100 | | Hose | 4 | | 4500 |
| 18 | 212144520101 | | Hose | 4 | | 5000 |
| 18 | 212144520102 | | Hose | 4 | | 5500 |

07 Mast Hydraulic Circuit 4 (212346044507) Continuation1



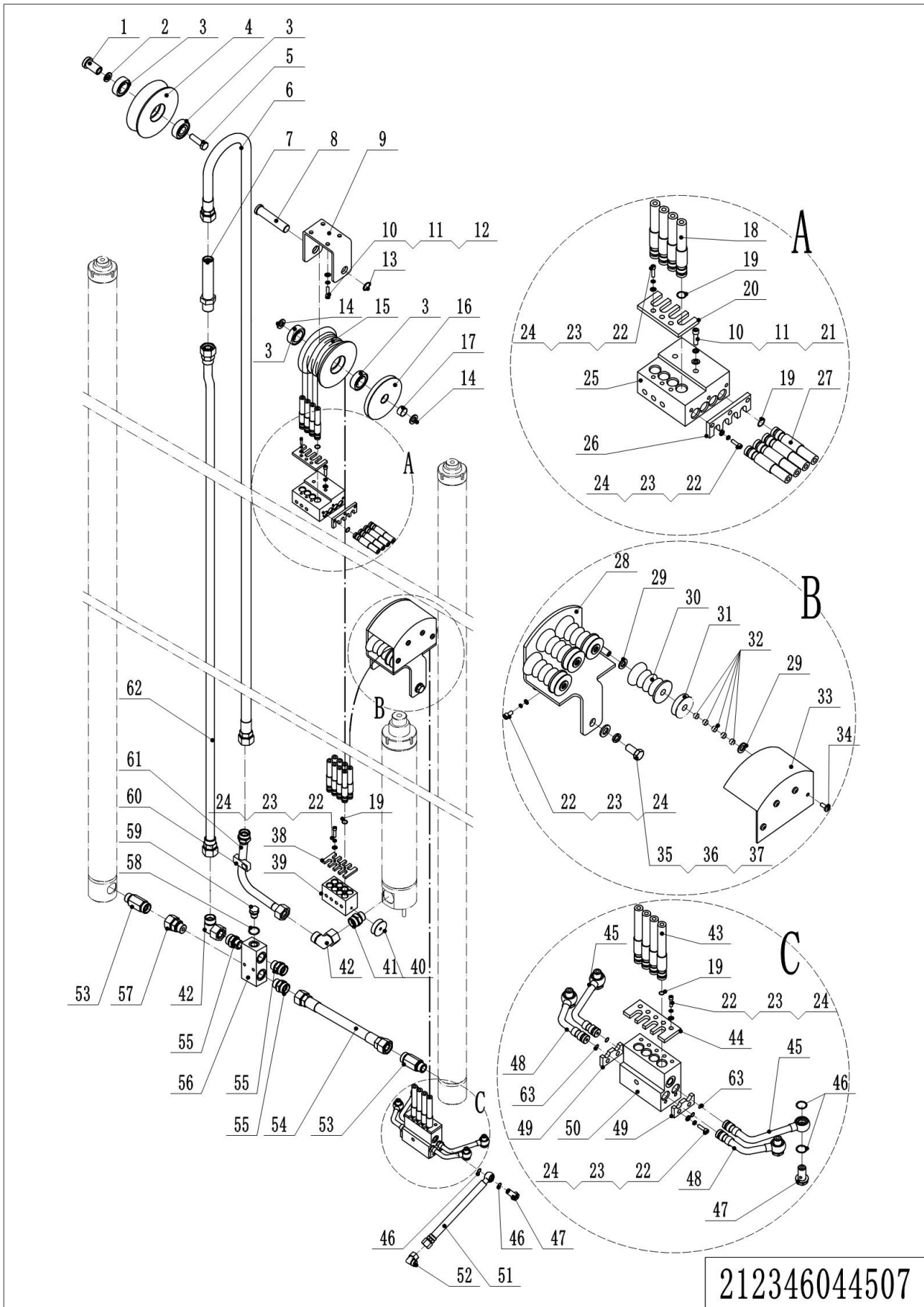
1= Supply as package. 2= Supply with constraints. 3= Phasing-out supply. 4= Supply as assembly. 5= Check other tables.

07 Mast Hydraulic Circuit 4 (212346044507) Continuation1

| No. | Item Code | Mark | Item Description | Qty. | Substitute | Note |
|-----|--------------|------|------------------|------|------------|------|
| 18 | 212144520103 | | Hose | 4 | | 6000 |
| 18 | 212144520104 | | Hose | 4 | | 6500 |
| 18 | 212144520105 | | Hose | 4 | | 7000 |
| 18 | 212144520106 | | Hose | 4 | | 7500 |
| 18 | 212144520107 | | Hose | 4 | | 8000 |
| 18 | 212144520108 | | Hose | 4 | | 8500 |
| 18 | 212144520109 | | Hose | 4 | | 9000 |
| 18 | 212144520110 | | Hose | 4 | | 9500 |
| 19 | 910800100124 | | O-Ring | 26 | | |
| 20 | 212144520045 | | Plate | 1 | | |
| 21 | 910200200062 | | Screw | 2 | | |
| 22 | 910200200035 | | Screw | 16 | | |
| 23 | 910400500005 | | Spring Washer | 16 | | |
| 24 | 910400100005 | | Flat Washer | 16 | | |
| 25 | 212144520047 | | Valve Block | 1 | | |
| 26 | 212144520046 | | Plate | 1 | | |
| 27 | 212125020015 | | Hose | 4 | | 4500 |
| 27 | 212125020026 | | Hose | 4 | | 5000 |
| 27 | 212125020027 | | Hose | 4 | | 5500 |
| 27 | 212125020018 | | Hose | 4 | | 6000 |
| 27 | 212125020019 | | Hose | 4 | | 6500 |
| 27 | 212125020020 | | Hose | 4 | | 7000 |
| 27 | 212125020021 | | Hose | 4 | | 7500 |
| 27 | 212125020022 | | Hose | 4 | | 8000 |
| 27 | 212125020023 | | Hose | 4 | | 8500 |
| 27 | 212125020024 | | Hose | 4 | | 9000 |
| 27 | 212125020025 | | Hose | 4 | | 9500 |
| 28 | 212144510047 | | Wheel Casing | 1 | | |
| 29 | 910400100007 | | Flat Washer | 8 | | |
| 30 | 212144520058 | | Pulley | 4 | | |

1= Supply as package. 2= Supply with constraints. 3= Phasing-out supply. 4= Supply as assembly. 5= Check other tables.

07 Mast Hydraulic Circuit 4 (212346044507) Continuation 2

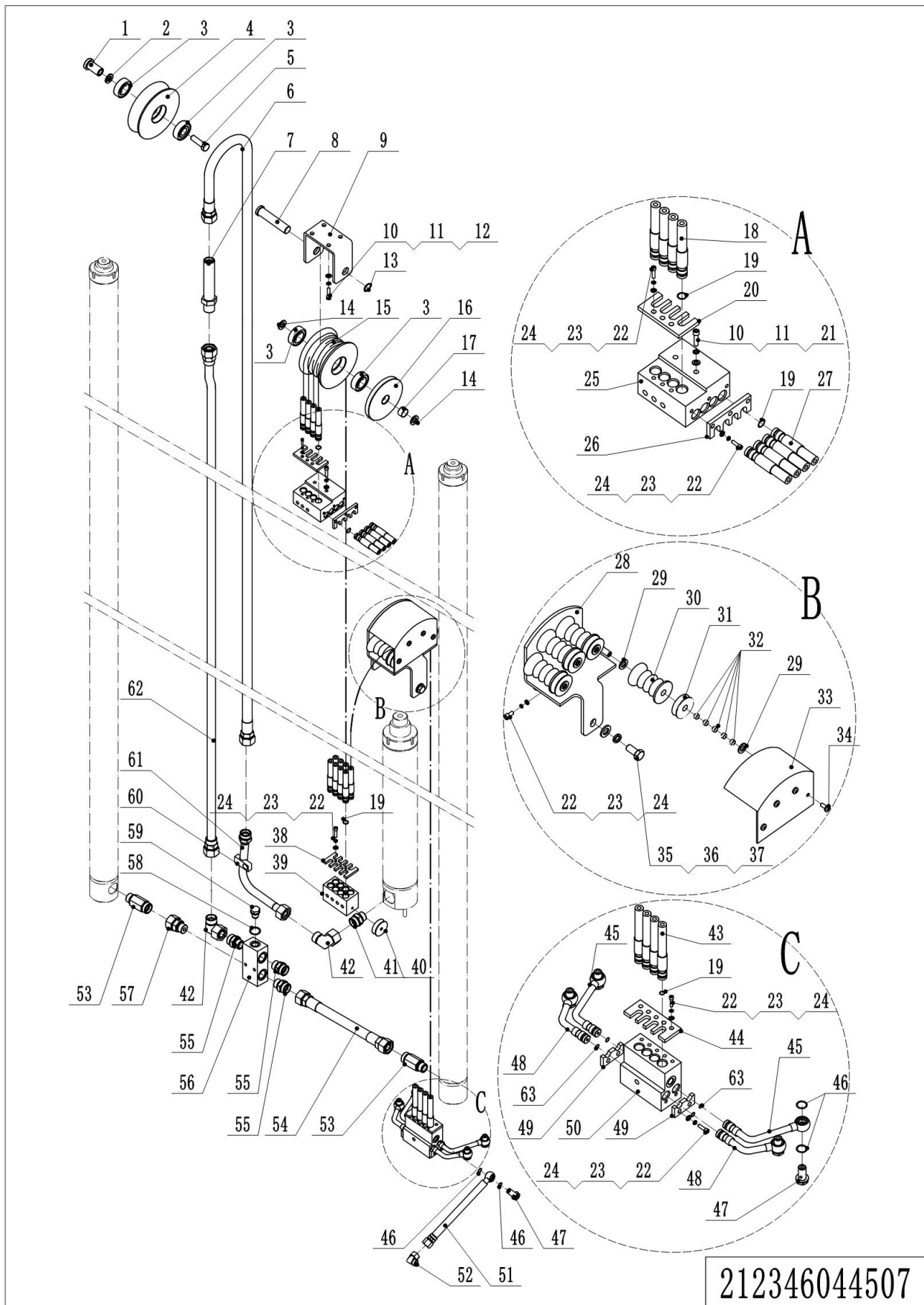


1= Supply as package. 2= Supply with constraints. 3= Phasing-out supply. 4= Supply as assembly. 5= Check other tables.

07 Mast Hydraulic Circuit 4 (212346044507) Continuation 2

| No. | Item Code | Mark | Item Description | Qty. | Substitute | Note |
|-----|--------------|------|----------------------|------|------------|------|
| 31 | 212144520059 | | Pulley | 4 | | |
| 32 | 940500100079 | | Bushing | 20 | | |
| 33 | 212144510046 | | Wheel Casing | 1 | | |
| 34 | 910200500052 | | Screw | 4 | | |
| 35 | 910100300048 | | Bolt | 2 | | |
| 36 | 910400500008 | | Spring Washer | 3 | | |
| 37 | 910400100008 | | Flat Washer | 2 | | |
| 38 | 212144520040 | | Plate | 1 | | |
| 39 | 212144520039 | | Valve Block | 1 | | |
| 40 | 212144520037 | | Pulley | 1 | | |
| 41 | 212198520036 | | Anti-explosion Valve | 1 | | |
| 42 | 950400200006 | | Joint | 2 | | |
| 43 | 212144520085 | | Hose | 4 | | 4500 |
| 43 | 212144520086 | | Hose | 4 | | 5000 |
| 43 | 212144520087 | | Hose | 4 | | 5500 |
| 43 | 212144520088 | | Hose | 4 | | 6000 |
| 43 | 212144520089 | | Hose | 4 | | 6500 |
| 43 | 212144520090 | | Hose | 4 | | 7000 |
| 43 | 212144520091 | | Hose | 4 | | 7500 |
| 43 | 212144520092 | | Hose | 4 | | 8000 |
| 43 | 212144520093 | | Hose | 4 | | 8500 |
| 43 | 212144520094 | | Hose | 4 | | 9000 |
| 43 | 212144520095 | | Hose | 4 | | 9500 |
| 44 | 212144520032 | | Plate | 1 | | |
| 45 | 212144520033 | | Steel Tube | 2 | | |
| 46 | 910800100125 | | O-Ring | 4 | | |
| 47 | 212144520042 | | Bolt | 4 | | |
| 48 | 212144520034 | | Steel Tube | 2 | | |
| 49 | 212144520031 | | Plate | 2 | | |
| 50 | 212144520030 | | Valve Block | 1 | | |

07 Mast Hydraulic Circuit 4 (212346044507) Continuation 3



1= Supply as package. 2= Supply with constraints. 3= Phasing-out supply. 4= Supply as assembly. 5= Check other tables.

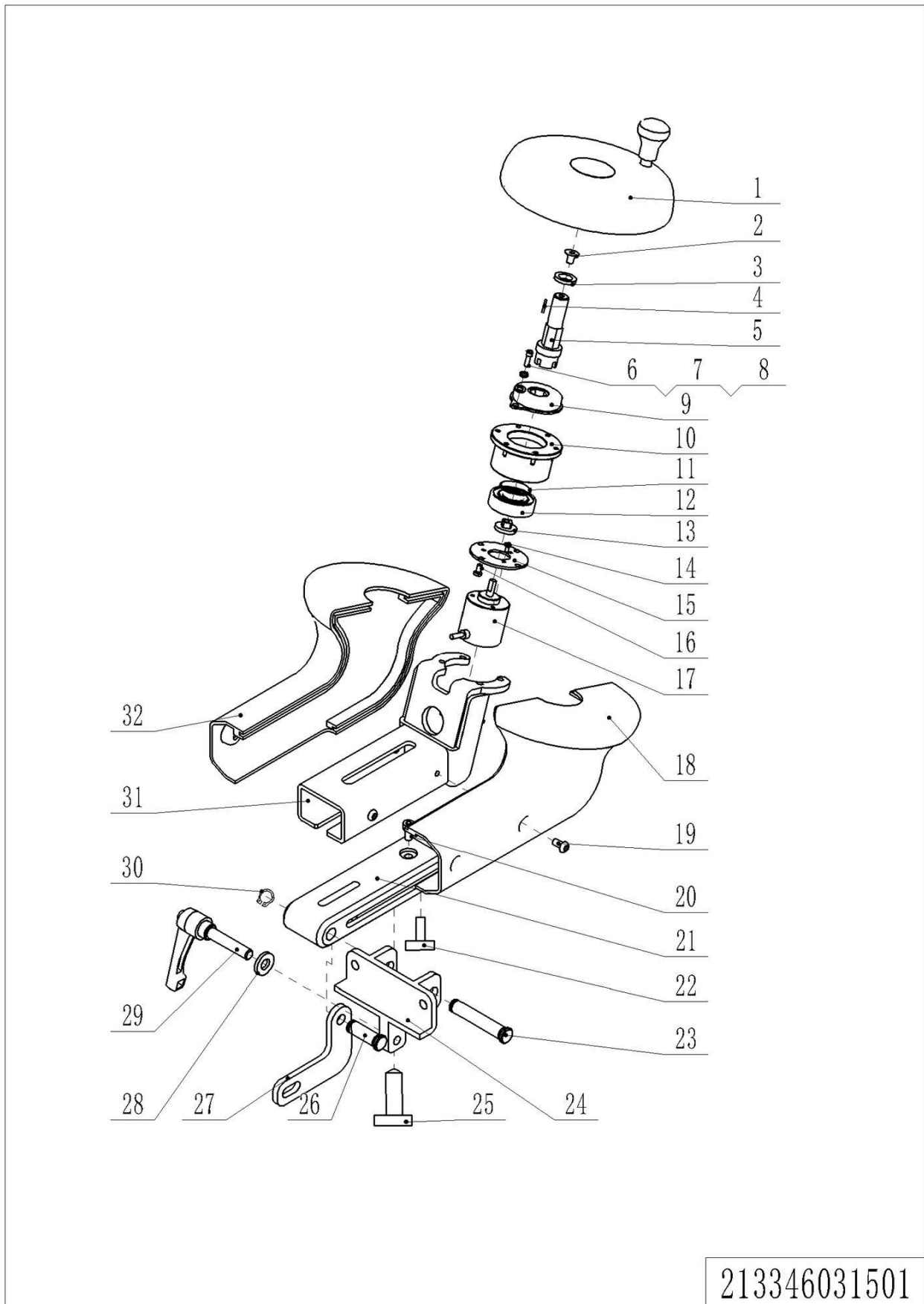
07 Mast Hydraulic Circuit 4 (212346044507) Continuation 3

| No. | Item Code | Mark | Item Description | Qty. | Substitute | Note |
|-----|--------------|------|----------------------|------|------------|------|
| 51 | 212144520035 | | Hose | 2 | | |
| 52 | 950400200001 | | Joint | 2 | | |
| 53 | 212198520022 | | Anti-explosion Valve | 2 | | |
| 54 | 212144520036 | | Hose | 1 | | |
| 55 | 950400400011 | | Joint | 3 | | |
| 56 | 212144520041 | | Valve Block | 1 | | |
| 57 | 950400100003 | | Joint | 1 | | |
| 58 | 910800900005 | | Bonded Washer | 1 | | |
| 59 | 911300100001 | | Screw Plug | 1 | | |
| 60 | 213044520110 | | Pipe Clip | 1 | | |
| 61 | 212144520048 | | Steel Tube | 1 | | |
| 62 | 212144520115 | | Steel Tube | 1 | | 4500 |
| 62 | 212144520116 | | Steel Tube | 1 | | 5000 |
| 62 | 212144520117 | | Steel Tube | 1 | | 5500 |
| 62 | 212144520118 | | Steel Tube | 1 | | 6000 |
| 62 | 212144520119 | | Steel Tube | 1 | | 6500 |
| 62 | 212144520120 | | Steel Tube | 1 | | 7000 |
| 62 | 212144520121 | | Steel Tube | 1 | | 7500 |
| 62 | 212144520122 | | Steel Tube | 1 | | 8000 |
| 62 | 212144520123 | | Steel Tube | 1 | | 8500 |
| 62 | 212144520124 | | Steel Tube | 1 | | 9000 |
| 62 | 212144520125 | | Steel Tube | 1 | | 9500 |
| 63 | 910800100061 | | O-Ring | 4 | | |

01 Steering Wheel (213346031501)

| No. | Item Code | Mark | Item Description | Qty. | Substitute | Note |
|-----|--------------|------|------------------|------|------------|------|
| 1 | 940801700001 | | Handwheel | 1 | | |
| 2 | 910200400015 | | Screw | 1 | | |
| 3 | 212131520006 | | Washer | 1 | | |
| 4 | 910600800004 | | Flat Key | 1 | | |
| 5 | 212131520005 | | Axle | 1 | | |
| 6 | 910200500038 | | Screw | 5 | | |
| 7 | 910400100004 | | Flat Washer | 5 | | |
| 8 | 910400500004 | | Spring Washer | 5 | | |
| 9 | 271531511021 | | Rotary Damper | 1 | | |
| 10 | 212131520007 | | Bracket | 1 | | |
| 11 | 910401400012 | | Circlip | 1 | | |
| 12 | 910700200004 | | Bearing | 1 | | |
| 13 | 505931520002 | | Link Block | 1 | | |
| 14 | 910200500009 | | Screw | 3 | | |
| 15 | 212131520008 | | Fixing Plate | 1 | | |
| 16 | 910200500021 | | Screw | 4 | | |
| 17 | 212131510002 | | Potentiometer | 1 | | |
| 18 | 212131520001 | | Protective Cover | 1 | | |
| 19 | 910200300017 | | Screw | 4 | | |
| 20 | 910200200033 | | Screw | 1 | | |
| 21 | 212131520004 | | Sliding Block | 1 | | |
| 22 | 212131520015 | | Handwheel | 1 | | |
| 23 | 440517020002 | | Pin | 1 | | |
| 24 | 212131510000 | | Fixing Base | 1 | | |
| 25 | 212131520015 | | Handwheel | 1 | | |
| 26 | 213031540015 | | Pin | 1 | | |
| 27 | 212131520003 | | Fixing Plate | 1 | | |
| 28 | 212131520002 | | Washer | 1 | | |
| 29 | 272031510001 | | Handle | 1 | | |
| 30 | 910401300003 | | Circlip | 1 | | |

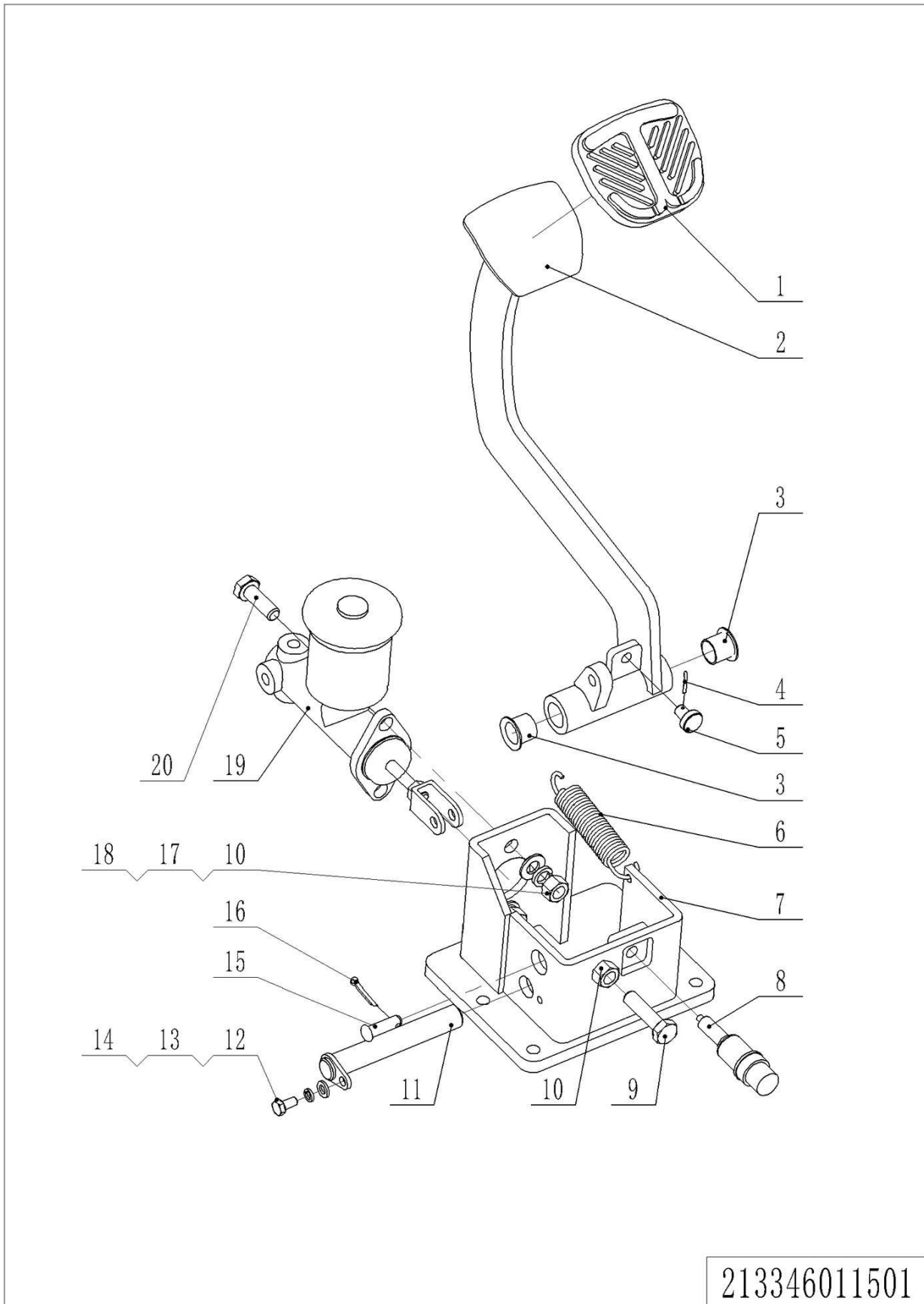
01 Steering Wheel (213346031501) Continuation



213346031501

01 Steering Wheel (213346031501) Continuation

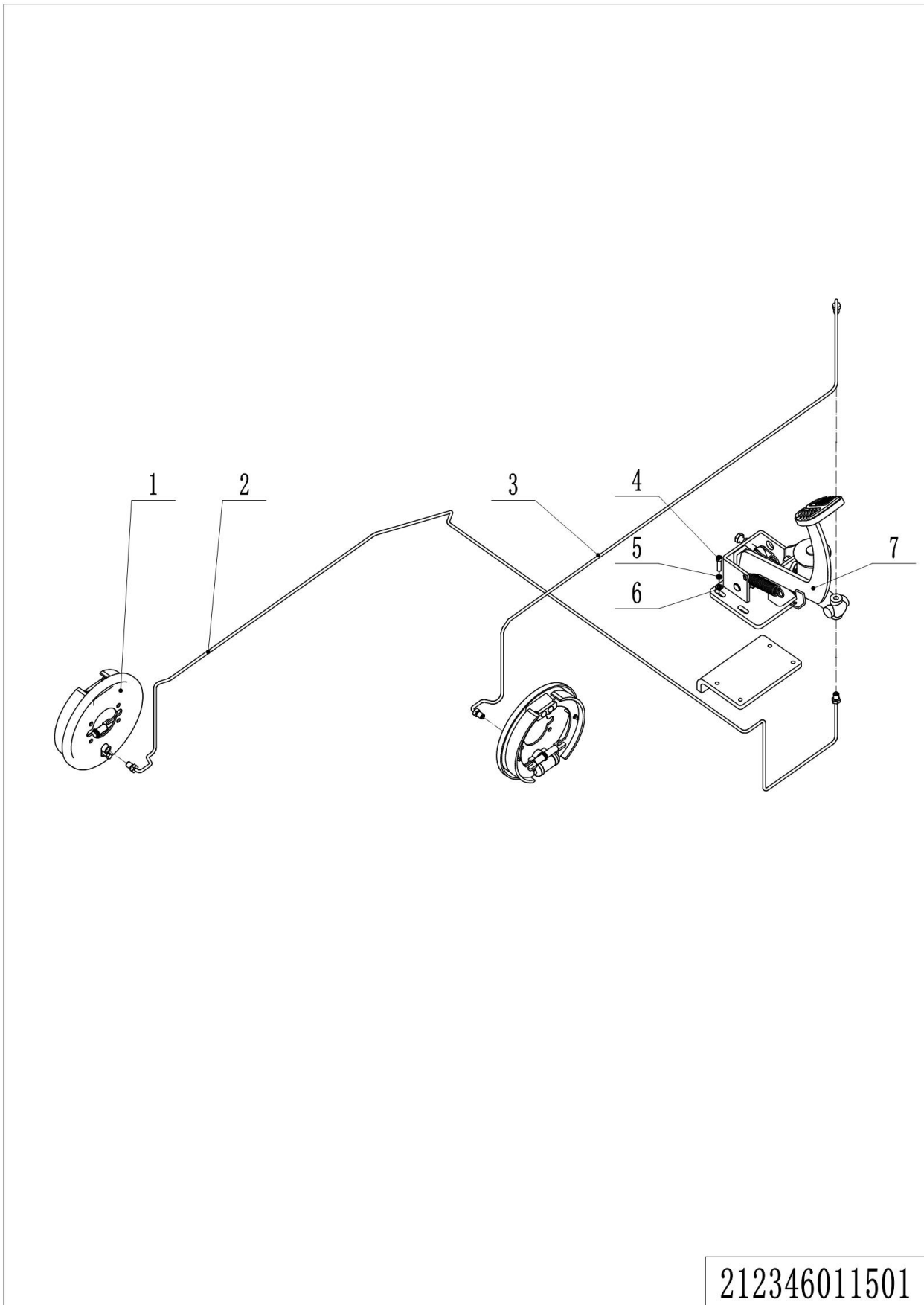
| No. | Item Code | Mark | Item Description | Qty. | Substitute | Note |
|-----|--------------|------|------------------|------|------------|------|
| 31 | 212131510001 | | Fixing Base | 1 | | |
| 32 | 212131520000 | | Protective Cover | 1 | | |

02 Brake Pedal (213346011501)

1= Supply as package. 2= Supply with constraints. 3= Phasing-out supply. 4= Supply as assembly. 5= Check other tables.

02 Brake Pedal (213346011501)

| No. | Item Code | Mark | Item Description | Qty. | Substitute | Note |
|-----|--------------|------|------------------|------|------------|------|
| 1 | 253511520010 | | Rubber Mat | 1 | | |
| 2 | 212111510003 | | Platform | 1 | | |
| 3 | 940500200016 | | Bushing | 2 | | |
| 4 | 910600600011 | | Cotter Pin | 1 | | |
| 5 | 251011520015 | | Crash Pad | 1 | | |
| 6 | 275211521013 | | Spring | 1 | | |
| 7 | 212111510001 | | Bracket | 1 | | |
| 8 | 920201000002 | | Switch | 1 | | |
| 9 | 910100300039 | | Bolt | 1 | | |
| 10 | 910300100007 | | Nut | 3 | | |
| 11 | 212111510002 | | Pin | 1 | | |
| 12 | 910400100005 | | Flat Washer | 1 | | |
| 13 | 910400500005 | | Spring Washer | 1 | | |
| 14 | 910100300009 | | Bolt | 1 | | |
| 15 | 910600700026 | | Pin | 1 | | |
| 16 | 910600600026 | | Cotter Pin | 1 | | |
| 17 | 910400100007 | | Flat Washer | 2 | | |
| 18 | 910400500007 | | Spring Washer | 2 | | |
| 19 | 212111510006 | | Brake Pump | 1 | | |
| 20 | 910100300037 | | Bolt | 2 | | |

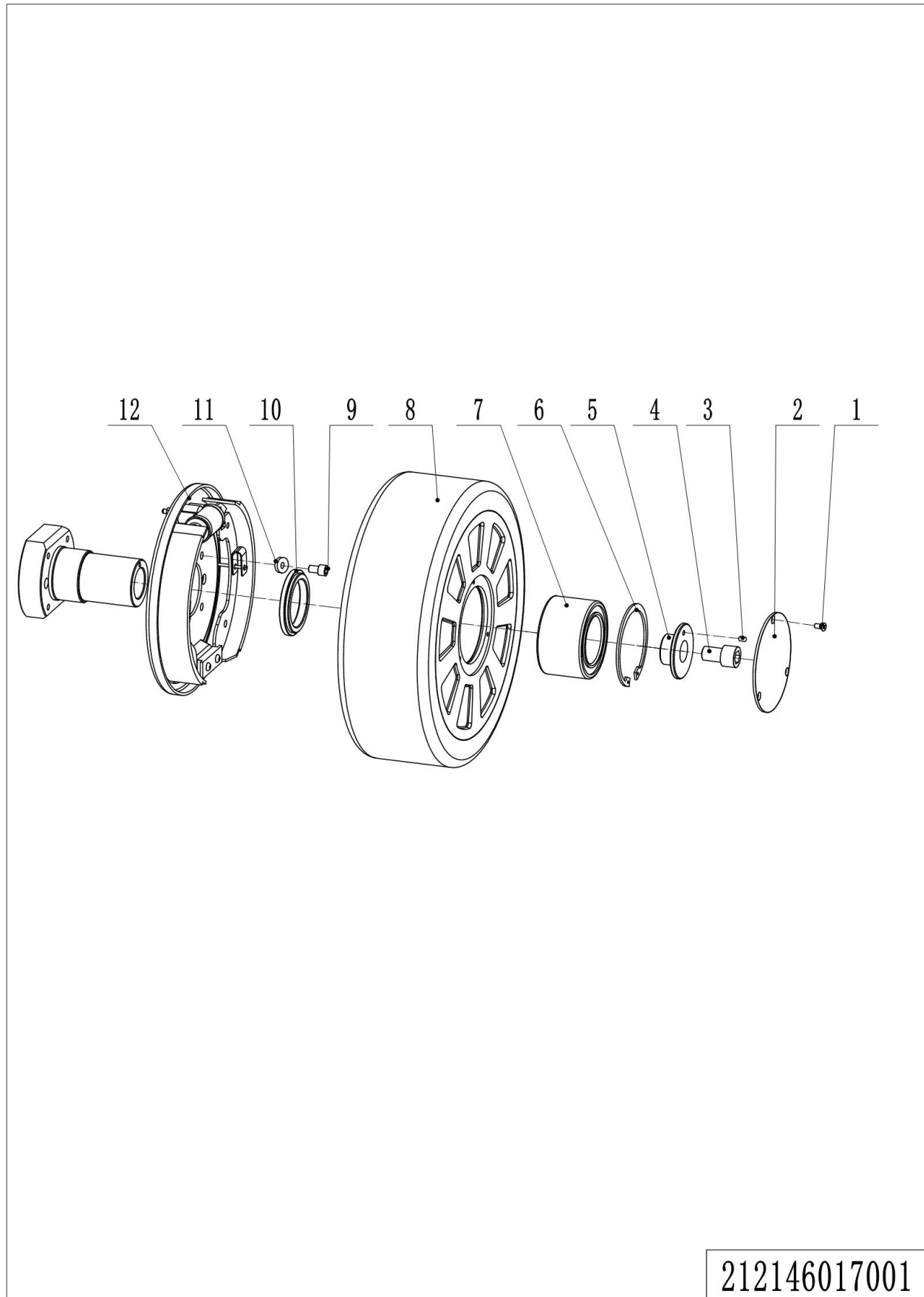
03 Brake Unit (212346011501)

212346011501

1= Supply as package. 2= Supply with constraints. 3= Phasing-out supply. 4= Supply as assembly. 5= Check other tables.

03 Brake Unit (212346011501)

| No. | Item Code | Mark | Item Description | Qty. | Substitute | Note |
|-----|--------------|------|---------------------|------|------------|------|
| 1 | 940700200004 | | Brake | 2 | | |
| 2 | 212111510005 | | Steel Tube | 1 | | |
| 3 | 212111510004 | | Steel Tube | 1 | | |
| 4 | 920201000002 | | Switch | 1 | | |
| 5 | 910200200058 | | Screw | 4 | | |
| 6 | 910400500006 | | Spring Washer | 4 | | |
| 7 | 910400100006 | | Flat Washer | 4 | | |
| 8 | 212111510000 | | Foot Brake Assembly | 1 | | |

04 Load Wheel (212146017001)

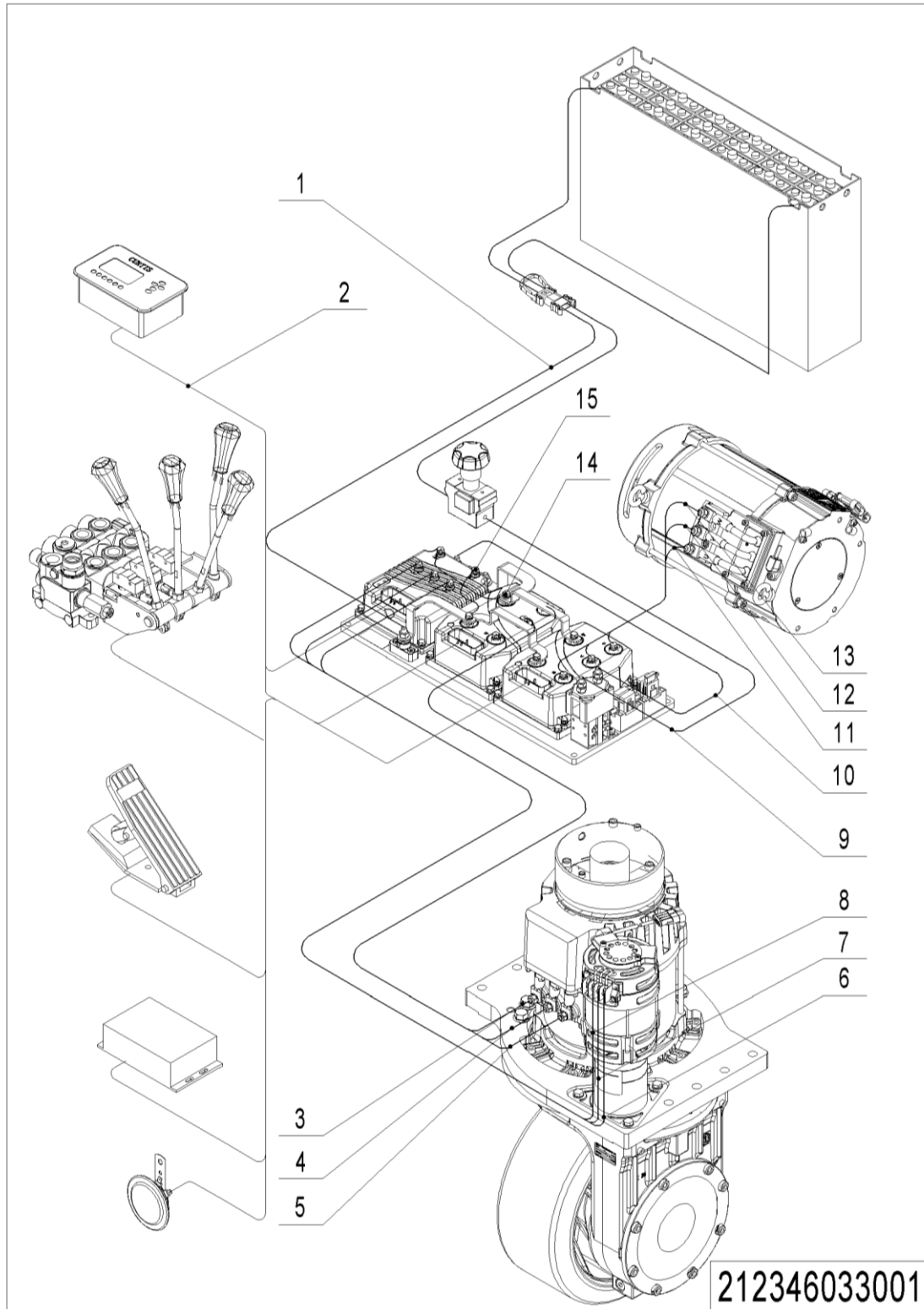
1= Supply as package. 2= Supply with constraints. 3= Phasing-out supply. 4= Supply as assembly. 5= Check other tables.

04 Load Wheel (212146017001)

| No. | Item Code | Mark | Item Description | Qty. | Substitute | Note |
|-----|--------------|------|----------------------|------|------------|------|
| 1 | 910200600016 | | Screw | 3 | | |
| 2 | 212117020000 | | Close Plate | 1 | | |
| 3 | 910600100009 | | Cylindrical Pin | 1 | | |
| 4 | 910202500001 | | Screw | 1 | | |
| 5 | 212117020002 | | Press Cover | 1 | | |
| 6 | 910401400024 | | Circlip | 1 | | |
| 7 | 941101000005 | | Bearing | 1 | | |
| 8 | 940300300034 | | Wheel Φ 285x110 | 1 | | |
| 9 | 910100300022 | | Bolt | 4 | | |
| 10 | 212117020001 | | Washer | 1 | | |
| 11 | 910400100006 | | Flat Washer | 4 | | |
| 12 | 940700200004 | | Brake | 1 | | |

Chapter 6: Electrical Parts

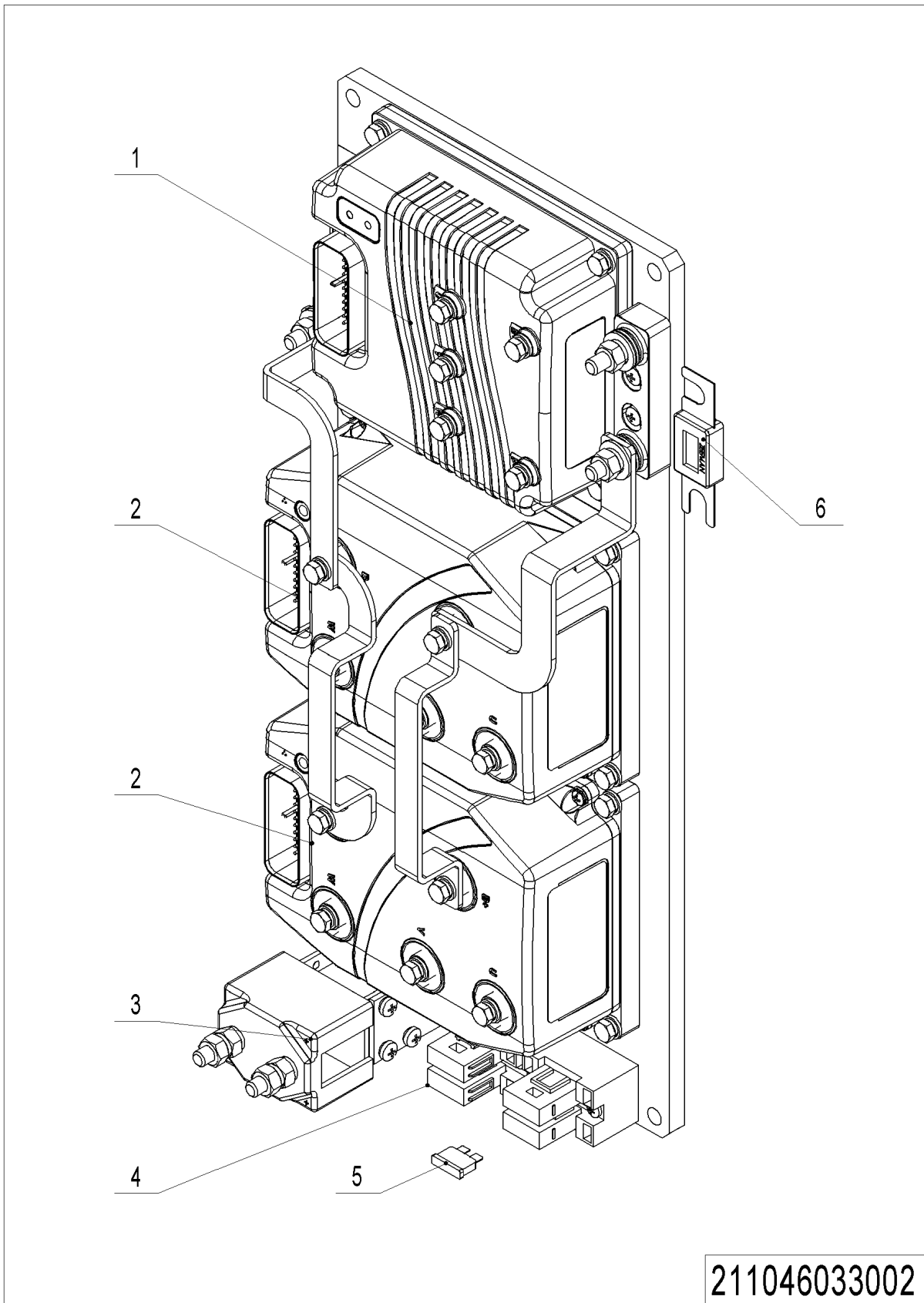
01 Wire Harness (212346033001)



1= Supply as package. 2= Supply with constraints. 3= Phasing-out supply. 4= Supply as assembly. 5= Check other tables.

01 Wire Harness (212346033001)

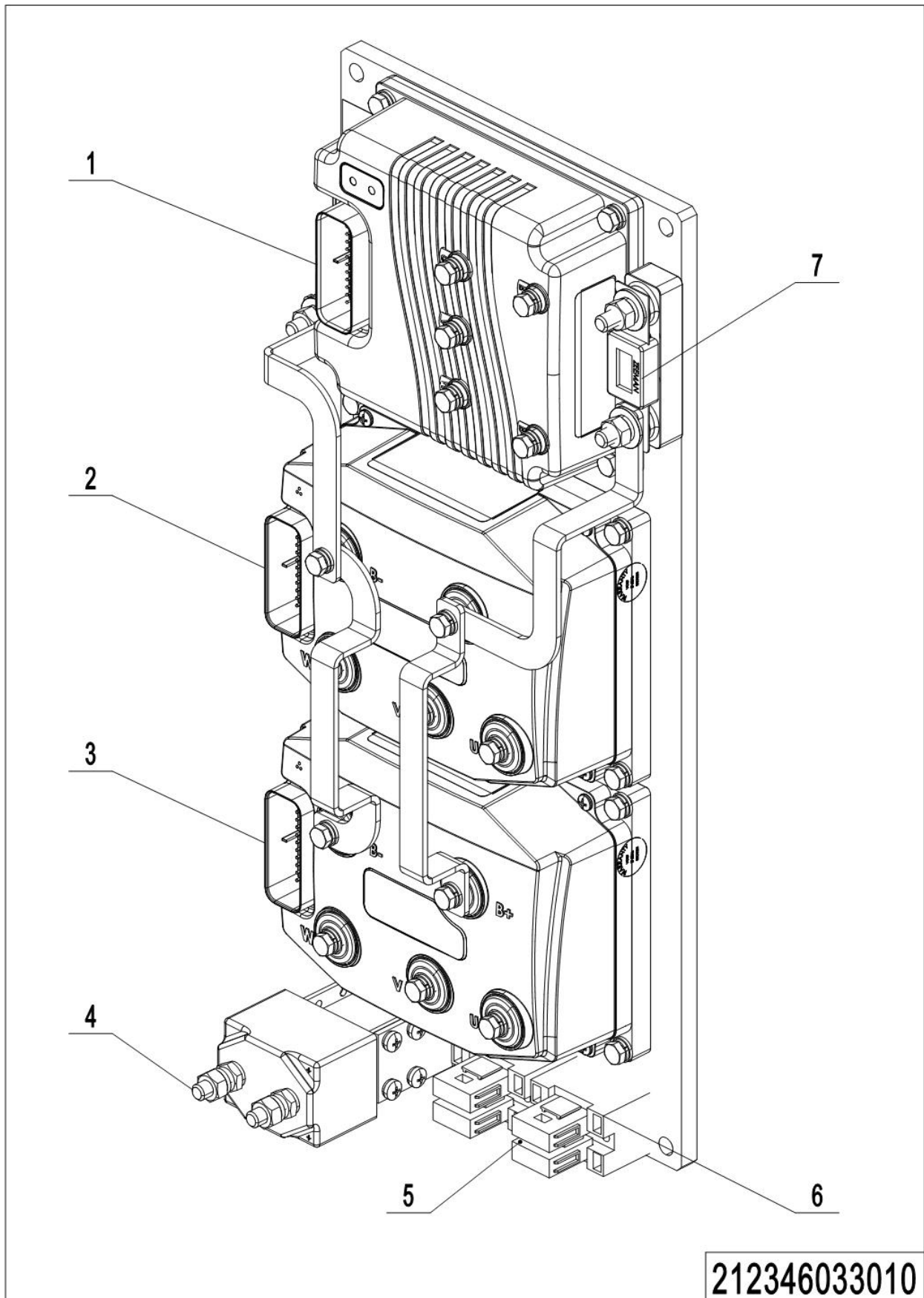
| No. | Item Code | Mark | Item Description | Qty. | Substitute | Note |
|-----|--------------|------|------------------|------|------------|-------------------|
| 1 | 212133010010 | | Wire Harness | 1 | | Lead Acid |
| 1 | 212133010031 | | Wire Harness | 1 | | Lithium |
| 2 | 212333010000 | | Wire Harness | 1 | | 1232SE(Lead Acid) |
| 2 | 212333010003 | | Wire Harness | 1 | | 1232SE(Lithium) |
| 2 | 213433010023 | | Wire Harness | 1 | | F4A |
| 2 | 213433010010 | | Wire Harness | 1 | | INMOTION |
| 3 | 212133010001 | | Cable | 1 | | F4A、1232SE |
| 3 | 213433010012 | | Cable | 1 | | INMOTION |
| 4 | 212133010002 | | Cable | 1 | | F4A、1232SE |
| 4 | 213433010013 | | Cable | 1 | | INMOTION |
| 5 | 212133010003 | | Cable | 1 | | F4A、1232SE |
| 5 | 213433010014 | | Cable | 1 | | INMOTION |
| 6 | 212133010007 | | Cable | 1 | | F4A、1232SE |
| 6 | 213433010018 | | Cable | 1 | | INMOTION |
| 7 | 212133010008 | | Cable | 1 | | F4A、1232SE |
| 7 | 213433010019 | | Cable | 1 | | INMOTION |
| 8 | 212133010009 | | Cable | 1 | | F4A、1232SE |
| 8 | 213433010020 | | Cable | 1 | | INMOTION |
| 9 | 212133010011 | | Cable | 1 | | F4A、1232SE |
| 9 | 213433010021 | | Cable | 1 | | INMOTION |
| 10 | 212133010012 | | Cable | 1 | | |
| 11 | 212133010004 | | Cable | 1 | | F4A、1232SE |
| 11 | 213433010015 | | Cable | 1 | | INMOTION |
| 12 | 212133010005 | | Cable | 1 | | F4A、1232SE |
| 12 | 213433010016 | | Cable | 1 | | INMOTION |
| 13 | 212133010006 | | Cable | 1 | | F4A、1232SE |
| 13 | 213433010017 | | Cable | 1 | | INMOTION |
| 14 | 213033010018 | | Cable | 1 | | |
| 15 | 213033010019 | | Cable | 1 | | |

02 Controller 1232SE (211046033002)

1= Supply as package. 2= Supply with constraints. 3= Phasing-out supply. 4= Supply as assembly. 5= Check other tables.

02 Controller 1232SE (211046033002)

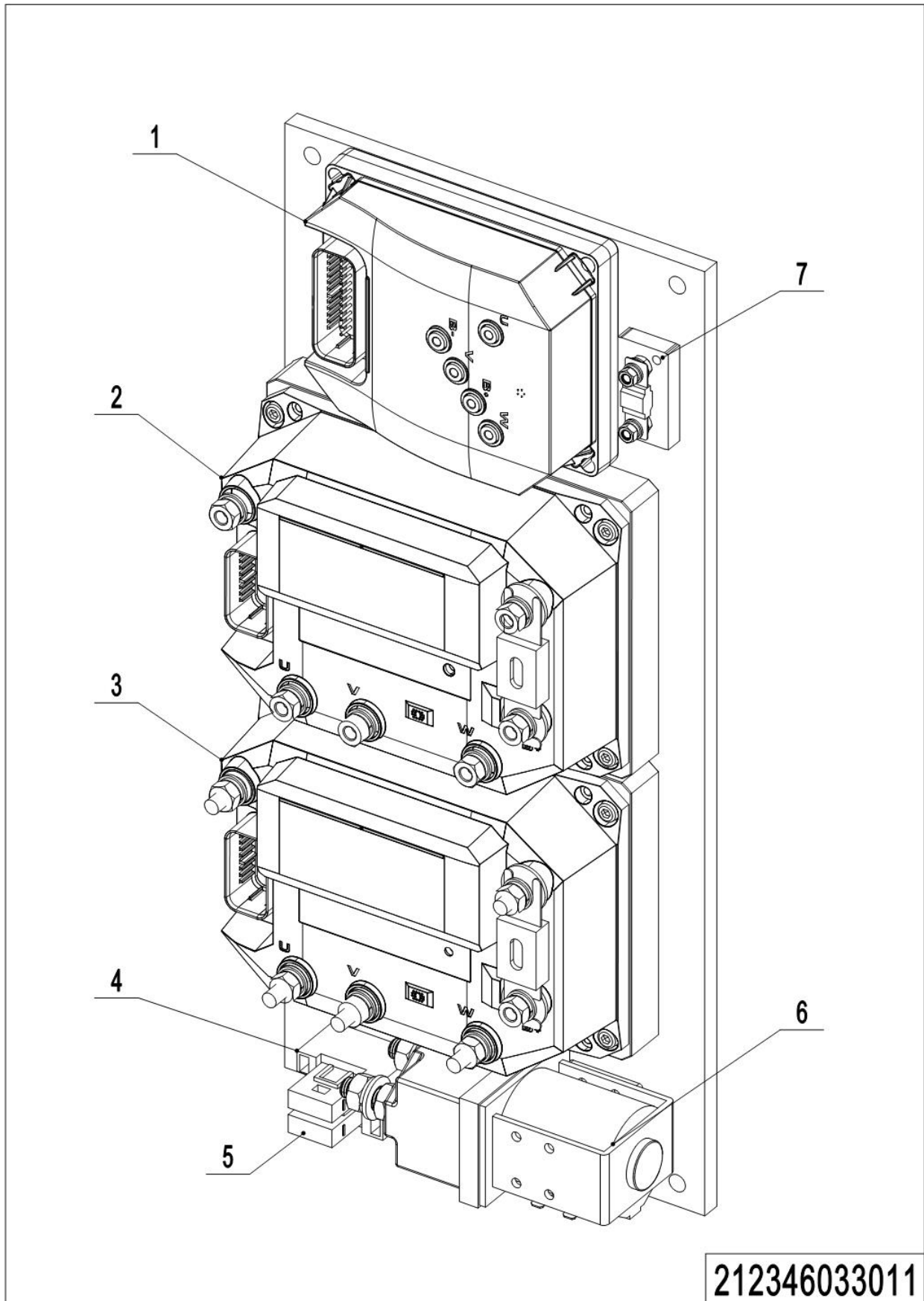
| No. | Item Code | Mark | Item Description | Qty. | Substitute | Note |
|-----|--------------|------|------------------|------|------------|---------------------|
| 1 | 921400100004 | | Controller | 1 | | Steering Controller |
| 2 | 921400100043 | | Controller | 1 | | Drive Controller |
| 2 | 921400100043 | | Controller | 1 | | Oil Pump Controller |
| 3 | 920700100008 | | Contactactor | 1 | | |
| 4 | 920100400004 | | Fuse Holder | 1 | | |
| 5 | 920100200002 | | Fuse | 1 | | |
| 6 | 920100100014 | | Fuse | 1 | | |

03 Controller F4A(212346033010)

1= Supply as package. 2= Supply with constraints. 3= Phasing-out supply. 4= Supply as assembly. 5= Check other tables.

03 Controller F4A(212346033010)

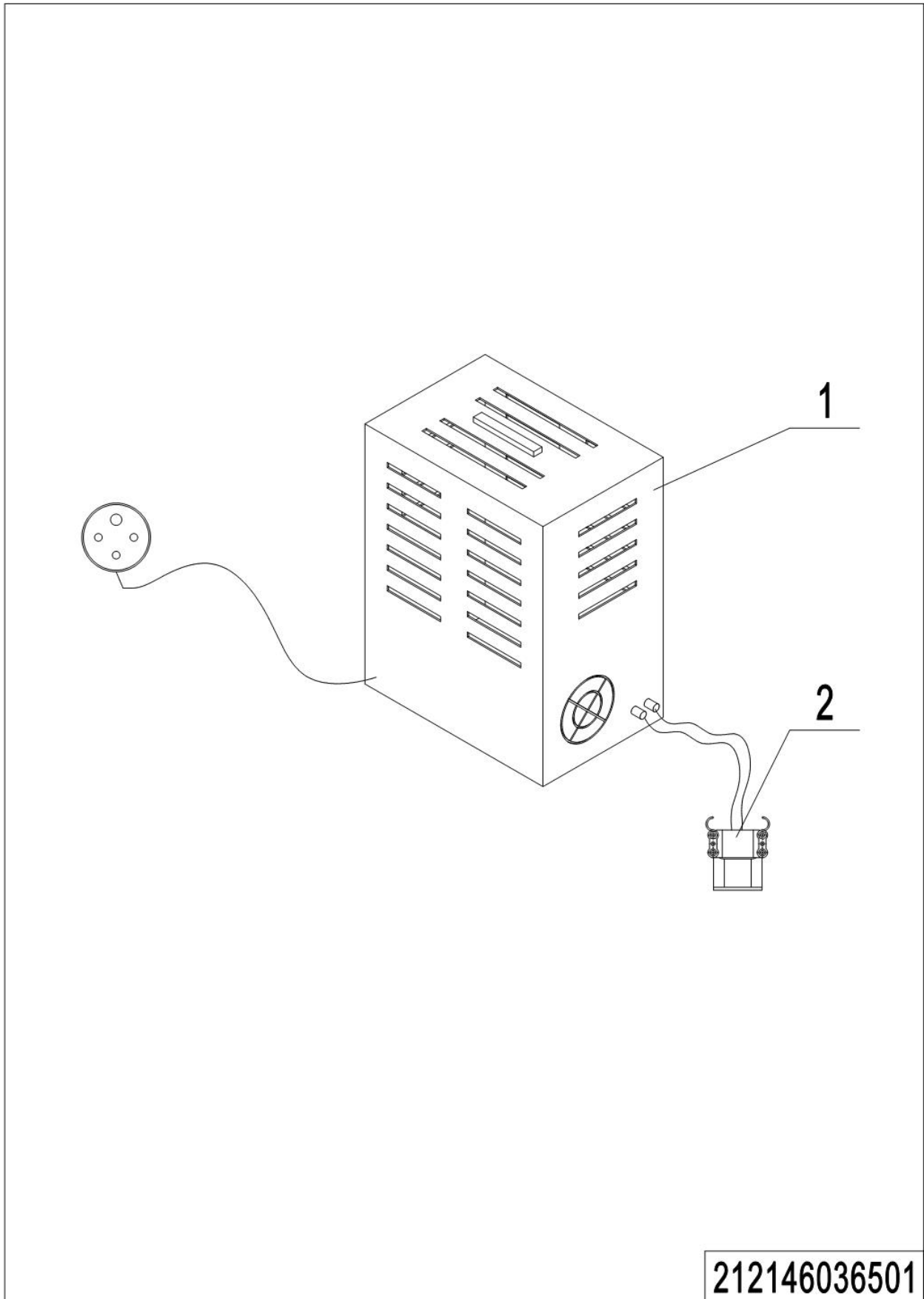
| No. | Item Code | Mark | Item Description | Qty. | Substitute | Note |
|-----|--------------|------|------------------|------|------------|---------------------|
| 1 | 921400100004 | | Controller | 1 | | Steering Controller |
| 2 | 921400100156 | | Controller | 1 | | Drive Controller |
| 3 | 921400100156 | | Controller | 1 | | Oil Pump Controller |
| 4 | 920700100008 | | Contactactor | 1 | | |
| 5 | 920100200002 | | Fuse | 4 | | |
| 6 | 920100400004 | | Fuse Holder | 2 | | |
| 7 | 920100100014 | | Fuse | 1 | | |

04 Controller INMOTION(212346033011)

1= Supply as package. 2= Supply with constraints. 3= Phasing-out supply. 4= Supply as assembly. 5= Check other tables.

04 Controller INMOTION(212346033011)

| No. | Item Code | Mark | Item Description | Qty. | Substitute | Note |
|-----|--------------|------|------------------|------|------------|---------------------|
| 1 | 921400100165 | | Controller | 1 | | Steering Controller |
| 2 | 921400100069 | | Controller | 1 | | Drive Controller |
| 3 | 921400100069 | | Controller | 1 | | Oil Pump Controller |
| 4 | 920100400004 | | Fuse Holder | 1 | | |
| 5 | 920100200002 | | Fuse | 4 | | |
| 6 | 920700100030 | | Contactactor | 2 | | |
| 7 | 920100100026 | | Fuse | 1 | | |

05 Charger (212346036501)

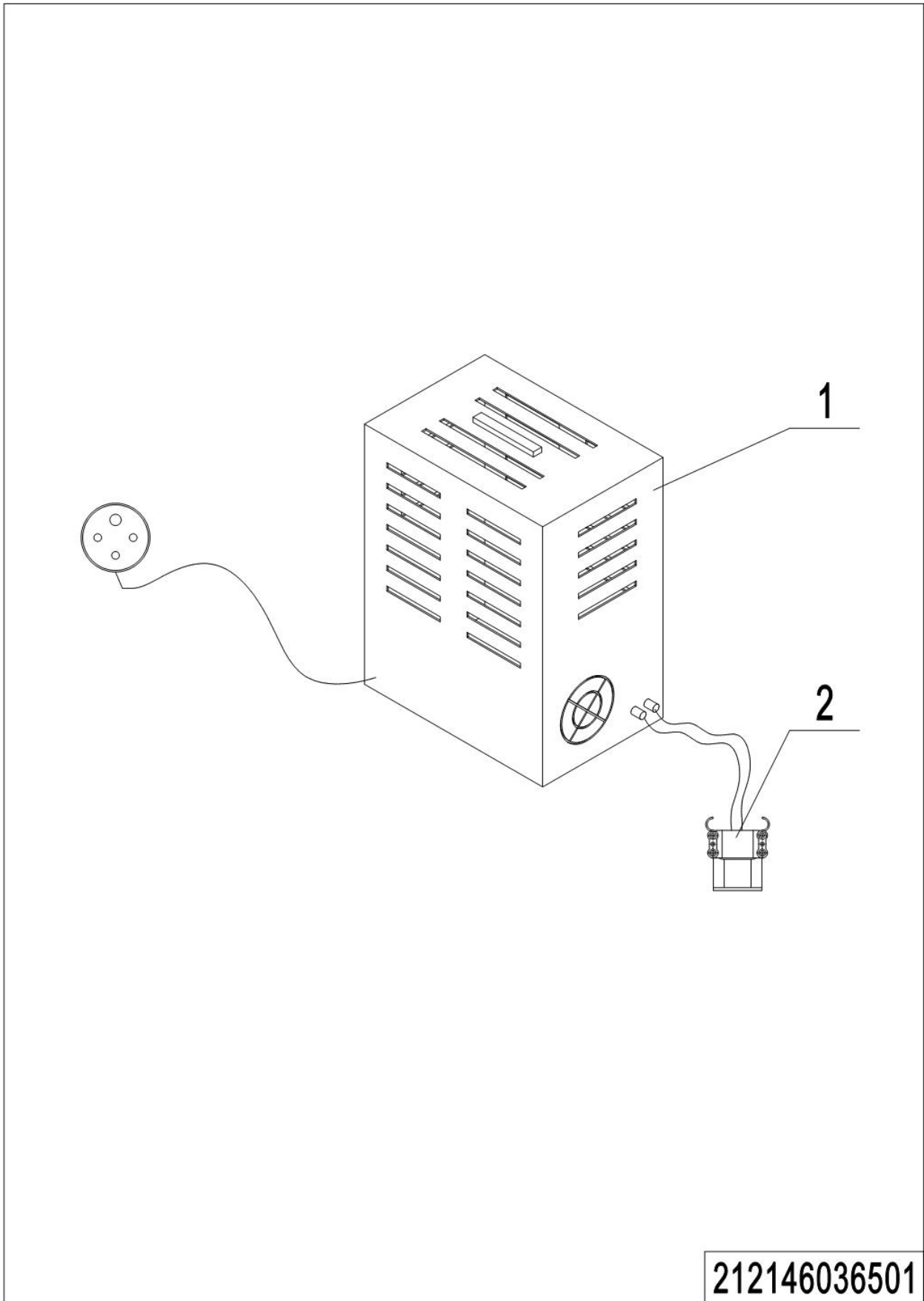
1= Supply as package. 2= Supply with constraints. 3= Phasing-out supply. 4= Supply as assembly. 5= Check other tables.

05 Charger (212346036501)

| No. | Item Code | Mark | Item Description | Qty. | Substitute | Note |
|-----|--------------|------|---------------------------|------|------------|-----------|
| 1 | 920400100011 | | Connector | 1 | | Lead Acid |
| 1 | 920400100037 | | Connector | 1 | | Lithium |
| 2 | 921000200067 | | Charger48V55A(Aisa-CHN) | 1 | | Lead Acid |
| 2 | 921000200068 | | Charger48V55A(Aisa-ENG) | 1 | | Lead Acid |
| 2 | 921000200069 | | Charger48V55A(EU) | 1 | | Lead Acid |
| 2 | 921000200070 | | Charger48V55A(ENG) | 1 | | Lead Acid |
| 2 | 921000200071 | | Charger48V55A(AUS) | 1 | | Lead Acid |
| 2 | 921000200072 | | Charger48V55A(USA) | 1 | | Lead Acid |
| 2 | 921000200547 | | Charger48V55A(380V) | 1 | | Lead Acid |
| 2 | 921000200109 | | Charger48V80A(Aisa-CHN) | 1 | | Lead Acid |
| 2 | 921000200110 | | Charger48V80A(Aisa-ENG) | 1 | | Lead Acid |
| 2 | 921000200111 | | Charger48V80A(EU) | 1 | | Lead Acid |
| 2 | 921000200112 | | Charger48V80A(ENG) | 1 | | Lead Acid |
| 2 | 921000200113 | | Charger48V80A(AUS) | 1 | | Lead Acid |
| 2 | 921000200114 | | Charger48V80A(USA) | 1 | | Lead Acid |
| 2 | 921000200553 | | Charger48V80A(380V) | 1 | | Lead Acid |
| 2 | 921000200560 | | Charger48V80A(USA220V) | 1 | | Lead Acid |
| 2 | 921000200401 | | Charger 48V200A(Aisa-CHN) | 1 | | Lithium |
| 2 | 921000200481 | | Charger 48V200A (EU) | 1 | | Lithium |
| 2 | 921000200406 | | Charger 48V150A(Aisa-CHN) | 1 | | Lithium |
| 2 | 921000200451 | | Charger 48V150A(ZA) | 1 | | Lithium |
| 2 | 921000200712 | | Charger 48V150A | 1 | | Lithium |
| 2 | 921000200713 | | Charger 48V200A | 1 | | Lithium |
| 2 | 921000200696 | | Charger 48V150A | 1 | | Lithium |
| 2 | 921000200702 | | Charger 48V200A | 1 | | Lithium |
| 2 | 921000200719 | | Charger 48V150A | 1 | | Lithium |
| 2 | 921000200773 | | Charger 48V150A | 1 | | Lithium |
| 2 | 921000200771 | | Charger 48V150A | 1 | | Lithium |
| 2 | 921000200772 | | Charger 48V150A | 1 | | Lithium |
| 2 | 921000200774 | | Charger 48V150A | 1 | | Lithium |

1= Supply as package. 2= Supply with constraints. 3= Phasing-out supply. 4= Supply as assembly. 5= Check other tables.

05 Charger (212346036501)Continuation



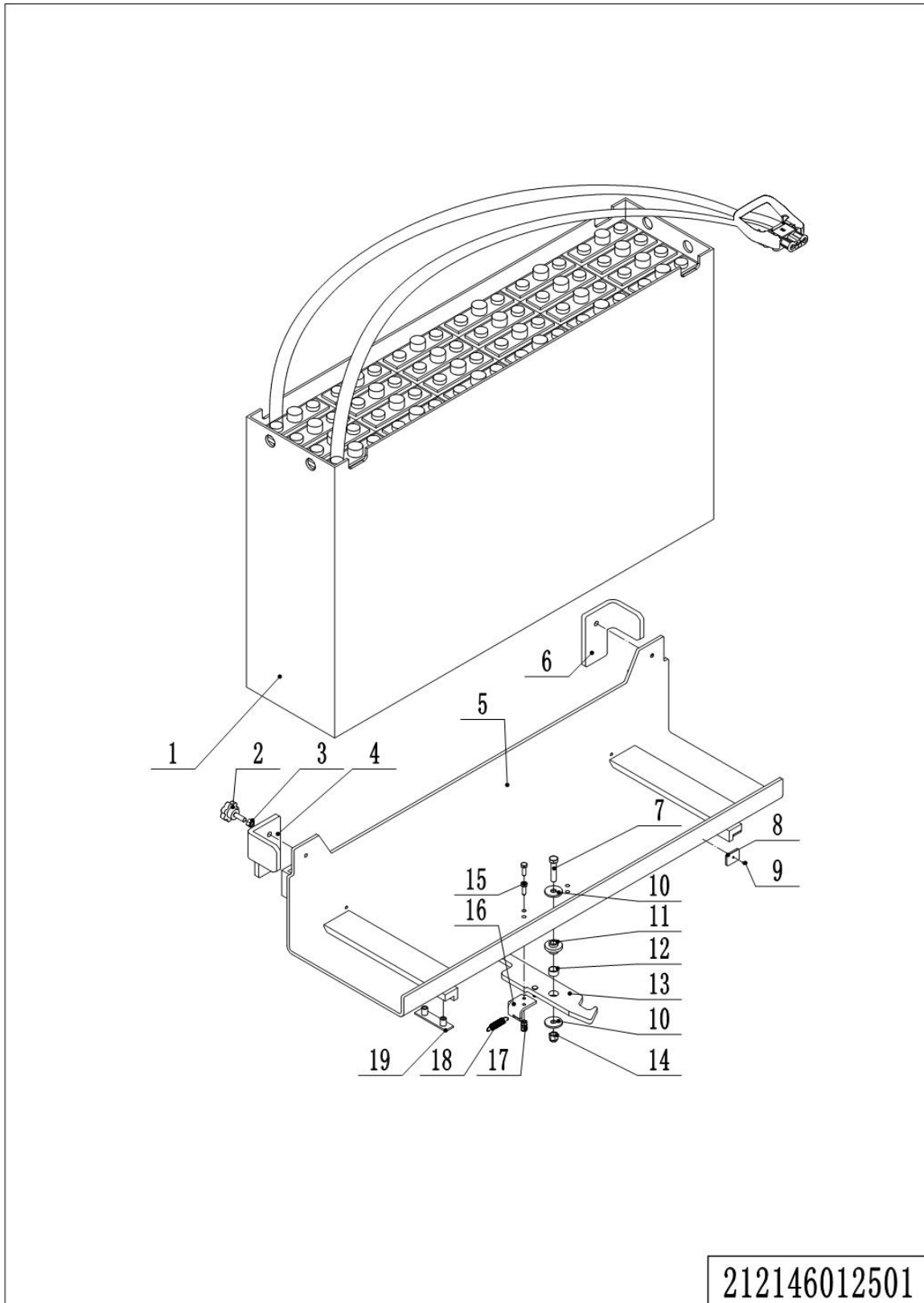
1= Supply as package. 2= Supply with constraints. 3= Phasing-out supply. 4= Supply as assembly. 5= Check other tables.

05 Charger (212346036501) Continuation

| No. | Item Code | Mark | Item Description | Qty. | Substitute | Note |
|-----|--------------|------|--------------------------|------|------------|---------|
| 2 | 921000200775 | | Charger48V200A(Aisa-ENG) | 1 | | Lithium |
| 2 | 921000200697 | | Charger48V200A(USA) | 1 | | Lithium |
| 2 | 921000200721 | | Charger48V200A(EU) | 1 | | Lithium |
| 2 | 921000200776 | | Charger48V200A(AUS) | 1 | | Lithium |
| 2 | 921000200777 | | Charger48V200A(USA) | 1 | | Lithium |
| 2 | 921000200778 | | Charger48V200A(USA) | 1 | | Lithium |
| 2 | 921000200720 | | Charger48V150A(USA) | 1 | | Lithium |
| 2 | 921000200565 | | Charger48V55A(USA22V) | 1 | | Lithium |

Chapter 7: Special Parts

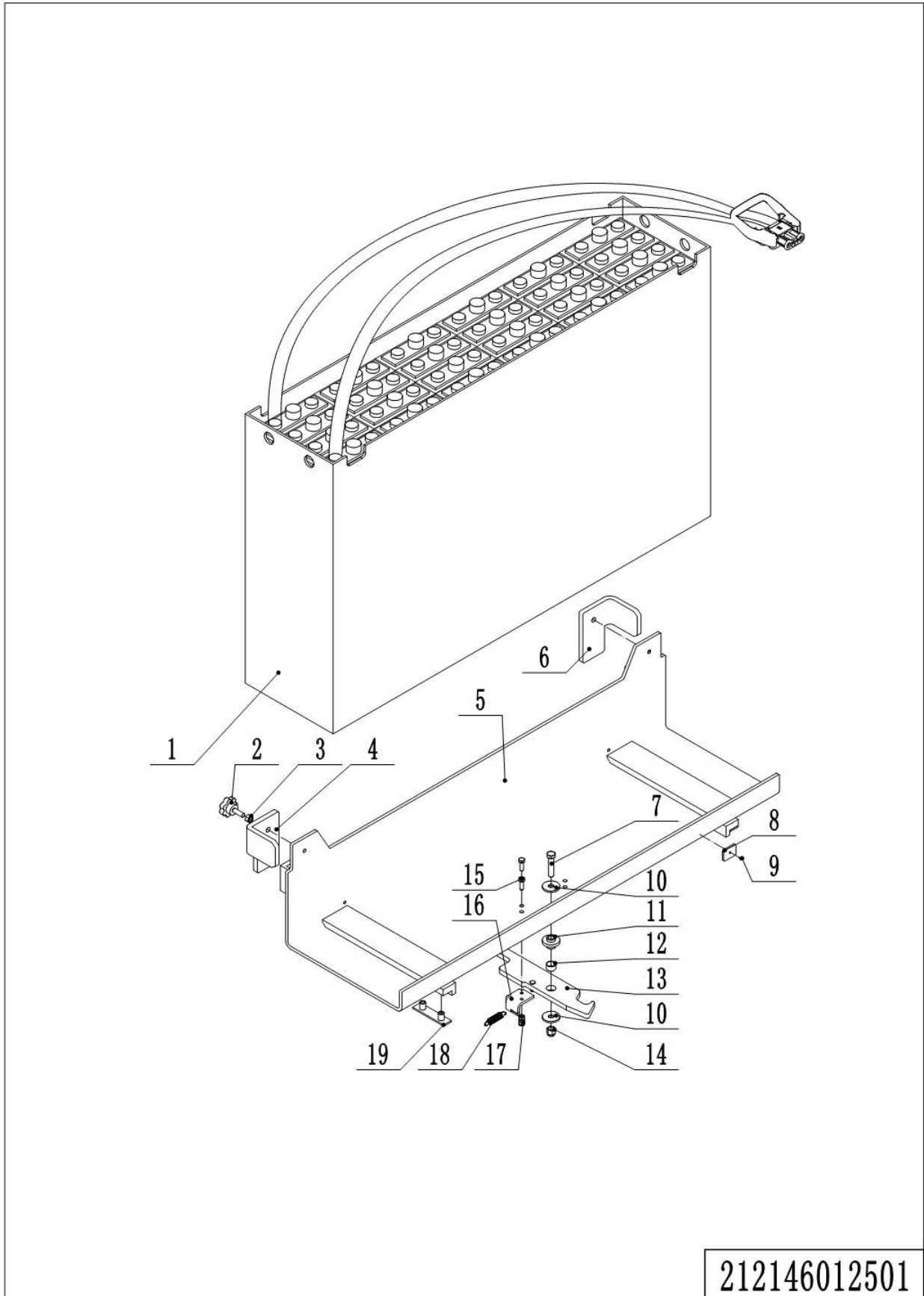
01 Battery Holder (212146012501)



1= Supply as package. 2= Supply with constraints. 3= Phasing-out supply. 4= Supply as assembly. 5= Check other tables.

01 Battery Holder (212146012501)

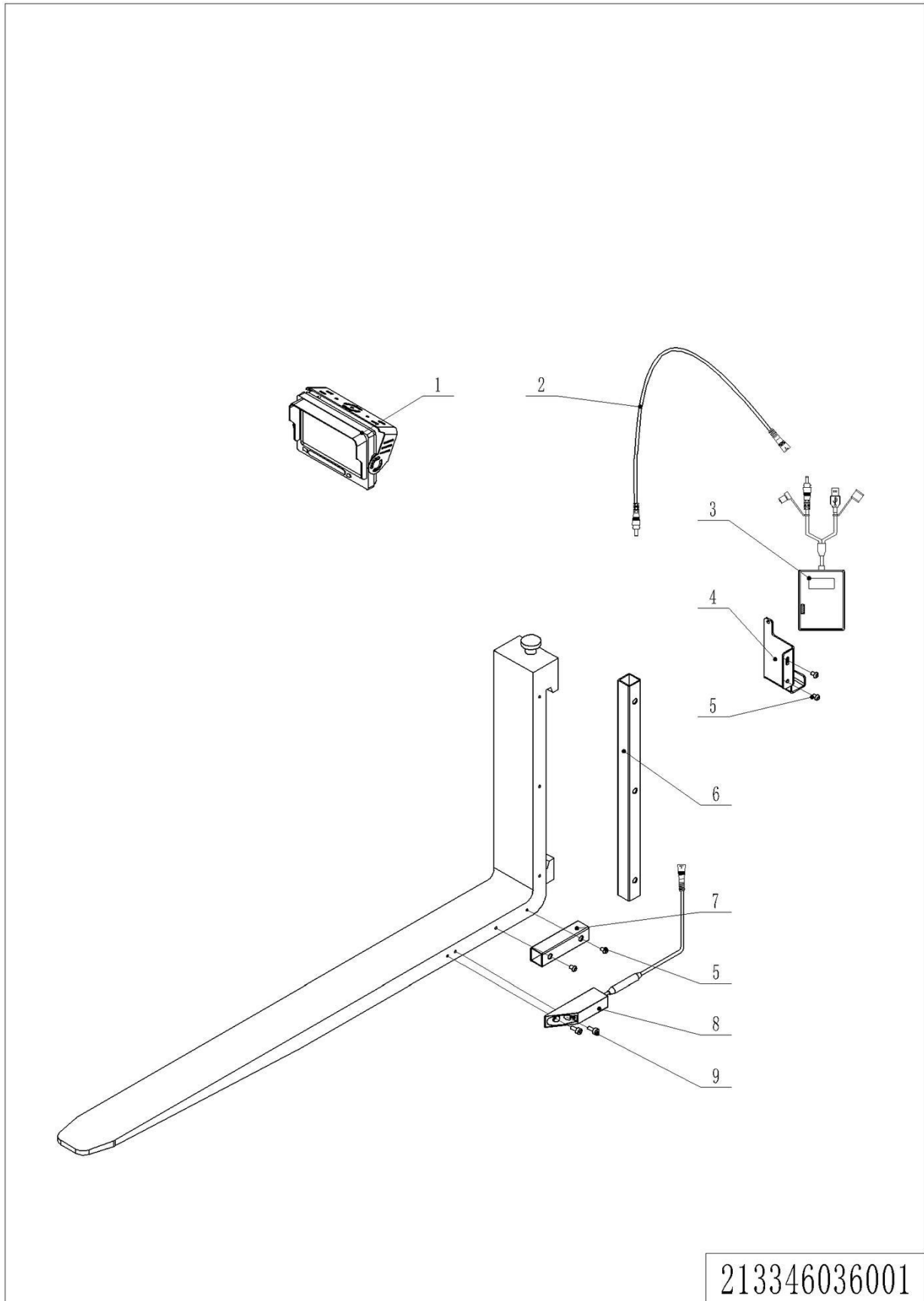
| No. | Item Code | Mark | Item Description | Qty. | Substitute | Note |
|-----|--------------|------|-------------------------|------|------------|-------------|
| 1 | 212137010000 | | Battery48V420Ah(welded) | 1 | | |
| 1 | 212137010001 | | Battery48V420Ah | 1 | | |
| 1 | 212137010002 | | Battery48V560Ah(welded) | 1 | | |
| 1 | 212137010003 | | Battery48V560Ah | 1 | | |
| 1 | 212137010005 | | Battery48V600Ah | 1 | | |
| 1 | 212137010006 | | Battery48V420Ah | 1 | | |
| 1 | 212137010007 | | Battery48V600Ah | 1 | | |
| 1 | 920600100120 | | Li Battery48V400Ah | 1 | | |
| 1 | 920600100227 | | Li Battery48V300Ah | 1 | | |
| 1 | 920600100274 | | Li Battery48V300Ah | 1 | | |
| 1 | 920600100275 | | Li Battery48V300Ah | 1 | | |
| 1 | 920600100276 | | Li Battery48V400Ah | 1 | | |
| 1 | 920600100277 | | Li Battery48V400Ah | 1 | | |
| 1 | 920600100473 | | Battery48V420Ah | 1 | | EN1175-2020 |
| 1 | 920600100474 | | Battery48V420Ah | 1 | | EN1175-2020 |
| 1 | 920600100600 | | Battery48V560Ah | 1 | | EN1175-2020 |
| 1 | 920600100595 | | Battery48V560Ah | 1 | | EN1175-2020 |
| 1 | 920600100558 | | Battery48V450Ah | 1 | | EN1175-2020 |
| 1 | 920600100571 | | Battery48V450Ah | 1 | | EN1175-2020 |
| 1 | 920600100542 | | Battery48V600Ah | 1 | | EN1175-2020 |
| 1 | 920600100543 | | Battery48V420Ah | 1 | | EN1175-2020 |
| 1 | 920600100561 | | Battery48V560Ah | 1 | | EN1175-2020 |
| 1 | 920600100582 | | Battery48V560Ah | 1 | | EN1175-2020 |
| 1 | 920600100595 | | Battery48V560Ah | 1 | | EN1175-2020 |
| 1 | 920600100608 | | Battery48V600Ah | 1 | | EN1175-2020 |
| 1 | 920600100371 | | Li Battery48V400Ah | 1 | | |
| 1 | 920600100431 | | Li Battery48V300Ah | 1 | | |
| 1 | 920600100620 | | Li Battery48V525Ah | 1 | | |
| 1 | 212137010010 | | Battery48V300Ah | 1 | | |
| 2 | 911000300002 | | Handle | 2 | | |

01 Battery Holder (212146012501) Continuation

1= Supply as package. 2= Supply with constraints. 3= Phasing-out supply. 4= Supply as assembly. 5= Check other tables.

01 Battery Holder (212146012501) Continuation

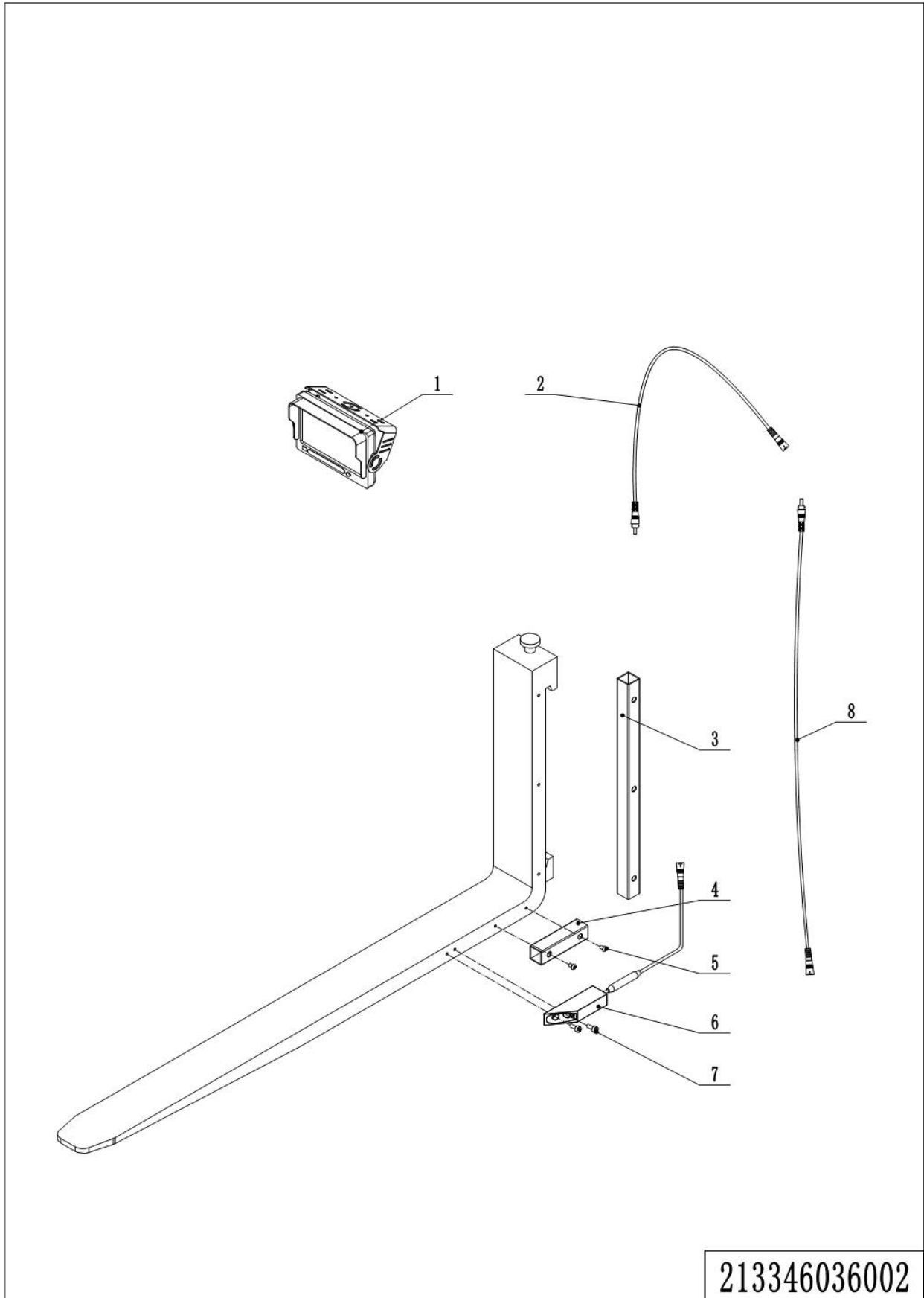
| No. | Item Code | Mark | Item Description | Qty. | Substitute | Note |
|-----|--------------|------|------------------|------|------------|--------------------|
| 3 | 910300100007 | | Nut | 2 | | |
| 4 | 213012520303 | | Stop Block | 1 | | |
| 5 | 212112510000 | | Battery Rack | 1 | | With 420Ah Battery |
| 5 | 213112510000 | | Battery Rack | 1 | | With 560Ah Battery |
| 6 | 213012520304 | | Stop Block | 1 | | |
| 7 | 910100300055 | | Bolt | 1 | | |
| 8 | 255021020068 | | cushion rubber | 2 | | |
| 9 | 910200400014 | | Bolt | 2 | | |
| 10 | 213012520009 | | Washer | 2 | | |
| 11 | 213012520008 | | Bracket | 1 | | |
| 12 | 940500100012 | | Bushing | 1 | | |
| 13 | 213012510021 | | Pothead | 1 | | With 420Ah Battery |
| 13 | 213112510011 | | Pothead | 1 | | With 560Ah Battery |
| 14 | 910300500006 | | Nut | 1 | | |
| 15 | 910100300023 | | Bolt | 2 | | |
| 16 | 213012520005 | | Plate | 1 | | |
| 17 | 910300500004 | | Nut | 2 | | |
| 18 | 213012520006 | | Spring | 1 | | |
| 19 | 255044020131 | | Subplate | 4 | | |

02 Monitor (213346036001)

1= Supply as package. 2= Supply with constraints. 3= Phasing-out supply. 4= Supply as assembly. 5= Check other tables.

02 Monitor (213346036001)

| No. | Item Code | Mark | Item Description | Qty. | Substitute | Note |
|-----|--------------|------|------------------------|------|------------|------|
| 1 | 921100100058 | | Display | 1 | | |
| 2 | 921500100110 | | Wire | 1 | | |
| 3 | 920600100384 | | Li Battery3.7V30000mAh | 1 | | |
| 4 | 212136020010 | | Mounting Bracket | 1 | | |
| 5 | 910200300017 | 1 | Screw | 7 | | |
| 6 | 212136020002 | | Conduit | 1 | | |
| 7 | 212136020001 | | Conduit | 1 | | |
| 8 | 921100100059 | | Camera | 1 | | |
| 9 | 910200200033 | 1 | Screw | 2 | | |

03 Monitor(Wired power) (213346036002)

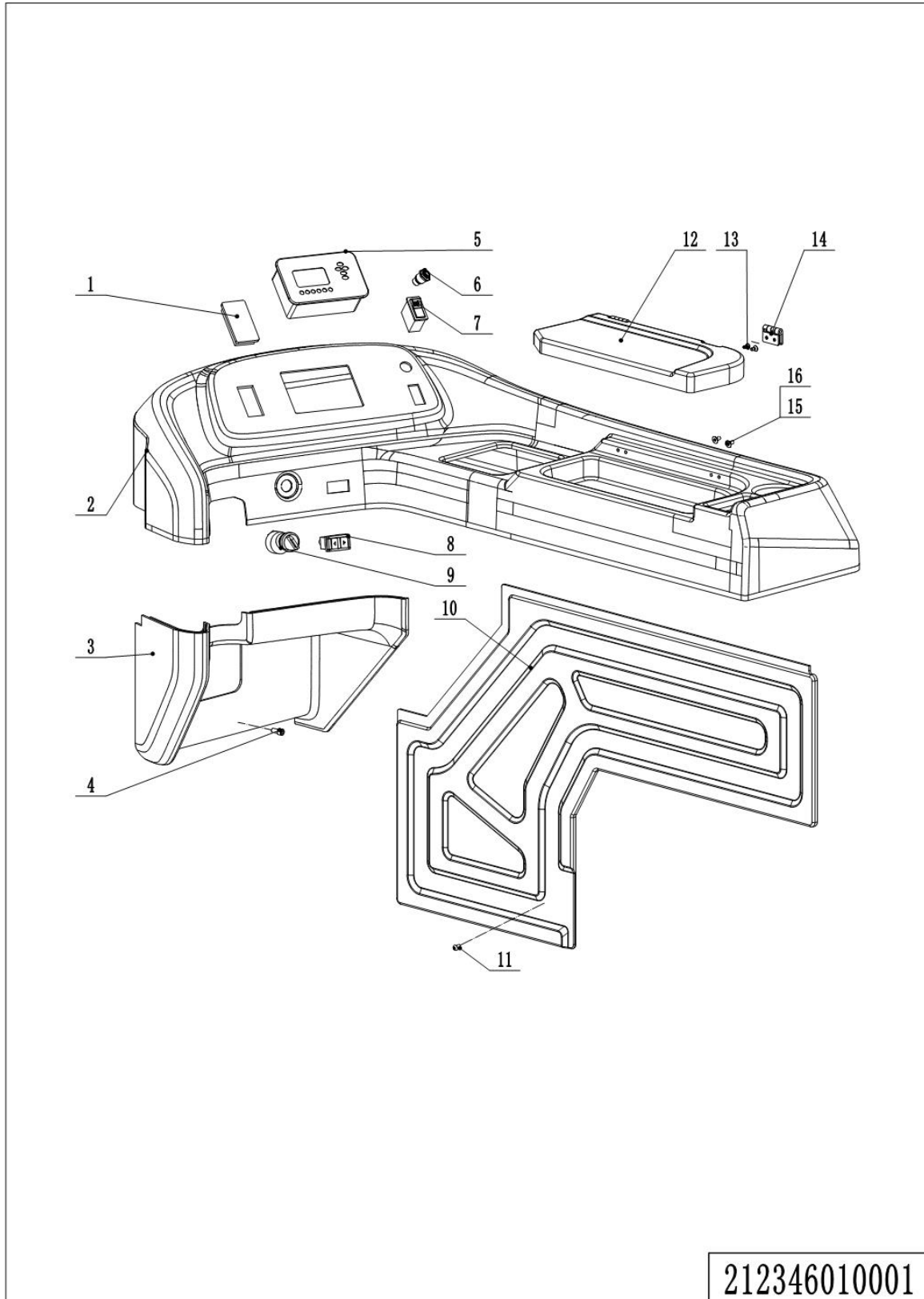
1= Supply as package. 2= Supply with constraints. 3= Phasing-out supply. 4= Supply as assembly. 5= Check other tables.

02 Monitor(Wired power) (213346036002)

| No. | Item Code | Mark | Item Description | Qty. | Substitute | Note |
|-----|--------------|------|------------------|------|------------|------|
| 1 | 921100100058 | | Display | 1 | | |
| 2 | 921500100110 | | Wire | 1 | | |
| 3 | 212136020002 | | Conduit | 1 | | |
| 4 | 212136020001 | | Conduit | 1 | | |
| 5 | 910200300017 | | Screw | 7 | | |
| 6 | 921100100059 | | Camera | 1 | | |
| 7 | 910200200033 | | Screw | 2 | | |
| 8 | / | | Wire | 1 | | |

Chapter 8: Others

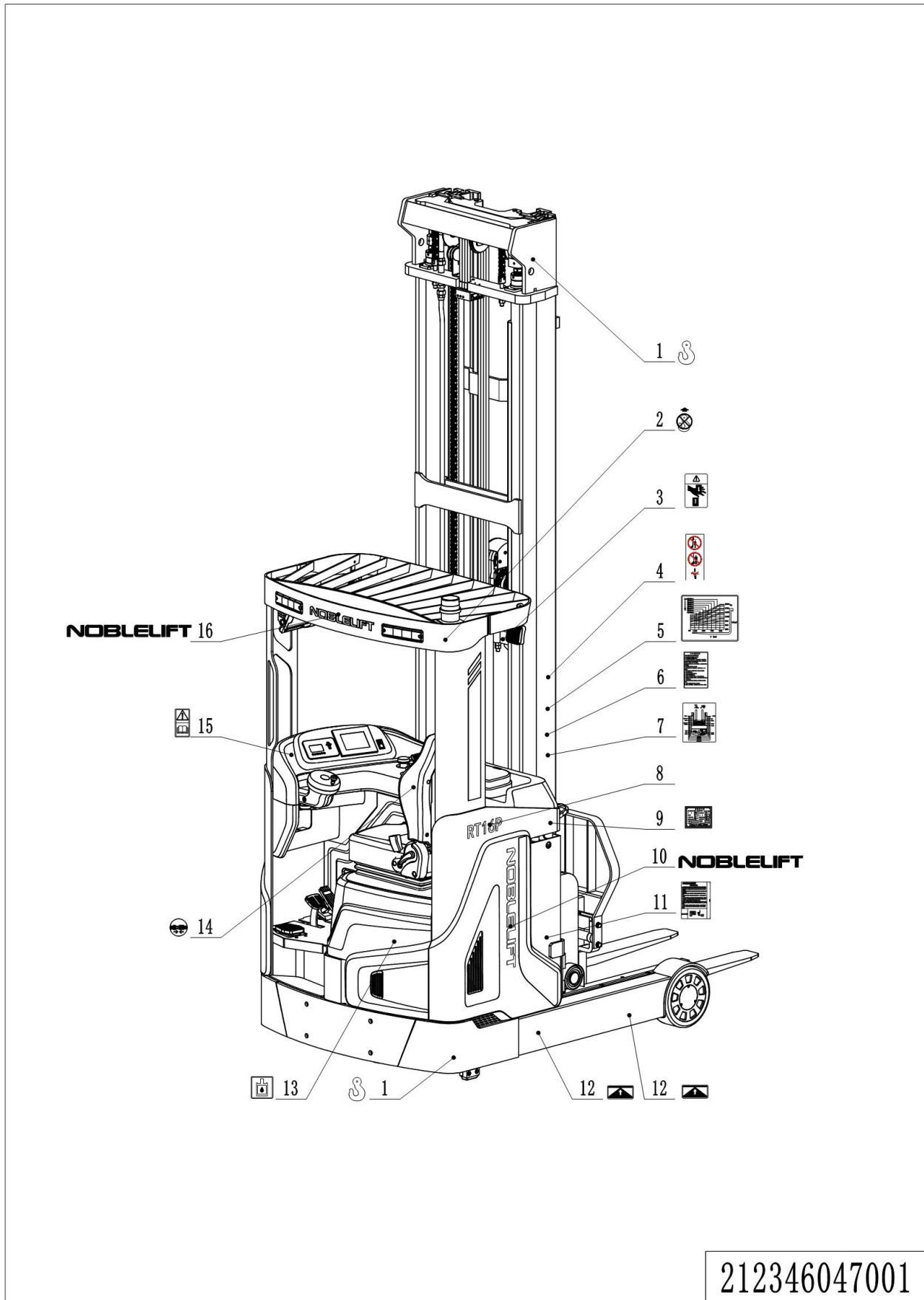
01 Control Panel (212346010001)



01 Control Panel (212346010001)

| No. | Item Code | Mark | Item Description | Qty. | Substitute | Note |
|-----|--------------|------|------------------|------|------------|-----------|
| 1 | 920200200015 | | Password lock | 1 | | |
| 2 | 212310020000 | | Protective Cover | 1 | | |
| 3 | 212110020024 | | Protective Cover | 1 | | |
| 4 | 910200500052 | | Screw | 1 | | |
| 5 | 921100100011 | | Display | 1 | | 3501 |
| 5 | 921100100063 | | Display | 1 | | 3401 |
| 5 | 921100100107 | | Display | 1 | | INMOTION |
| 6 | 920200100002 | | Emergency Button | 1 | | |
| 7 | 920200800048 | | Rocker Switch | 1 | | |
| 8 | 920200800049 | | Rocker Switch | 1 | | |
| 9 | 920200200002 | | Key Switch | 1 | | Lead Acid |
| 9 | 212734001000 | | Key Switch | 1 | | Lithium |
| 10 | 212310020001 | | Plate | 1 | | |
| 11 | 910200300017 | | Screw | 5 | | |
| 12 | 212110010000 | | Cover | 1 | | |
| 13 | 910200400009 | | Screw | 2 | | |
| 14 | 940801300003 | | Hinge | 2 | | |
| 15 | 910200300013 | | Screw | 4 | | |
| 16 | 212210020007 | | Fixing Plate | 1 | | |

02 Labels and Decals (212346047001)



212346047001

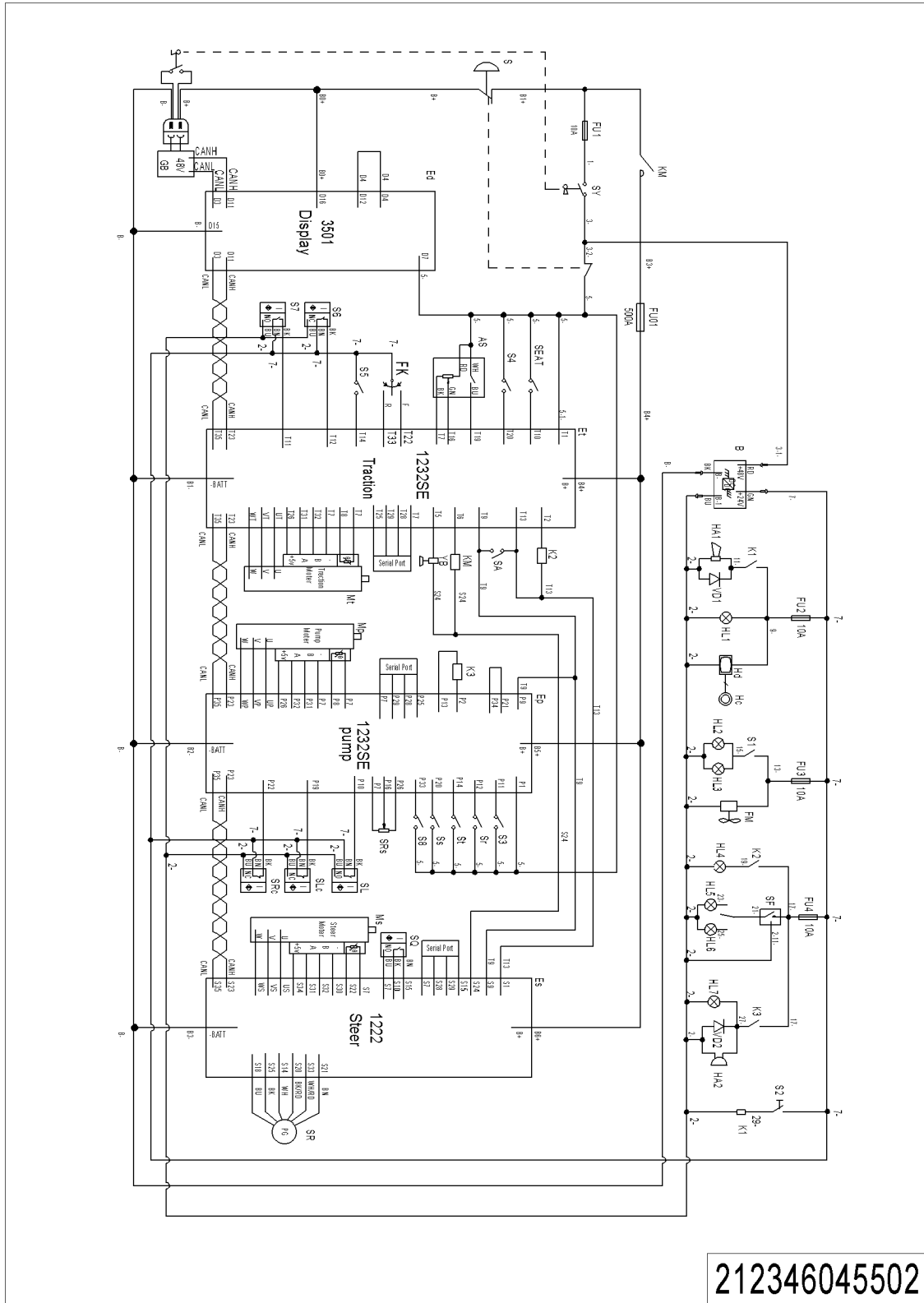
1= Supply as package. 2= Supply with constraints. 3= Phasing-out supply. 4= Supply as assembly. 5= Check other tables.

02 Labels and Decals (212346047001)

| No. | Item Code | Mark | Item Description | Qty. | Substitute | Note |
|-----|--------------|------|-----------------------|------|------------|------|
| 1 | 941200300001 | | Label | 4 | | |
| 2 | 941200100025 | | Label | 2 | | |
| 3 | 941200100027 | | Label | 2 | | |
| 4 | 941200100004 | | Label | 2 | | |
| 5 | 212147020016 | | Load Capacity Diagram | 2 | | |
| 6 | 212147020012 | | Label | 1 | | |
| 7 | 212147020010 | | Label,Lubrication | 1 | | |
| 8 | 213147020002 | | Label | 1 | | |
| 9 | 941200600003 | | Identification Plate | 1 | | |
| 10 | 212147020006 | | Label | 1 | | |
| 11 | 212147020011 | | Label | 1 | | |
| 12 | 255047020023 | | Label | 4 | | |
| 13 | 255047020004 | | Label | 1 | | |
| 14 | 255047020012 | | Label | 1 | | |
| 15 | 941200300011 | | Label | 1 | | |
| 16 | 212147020007 | | Label | 1 | | |

Appendix

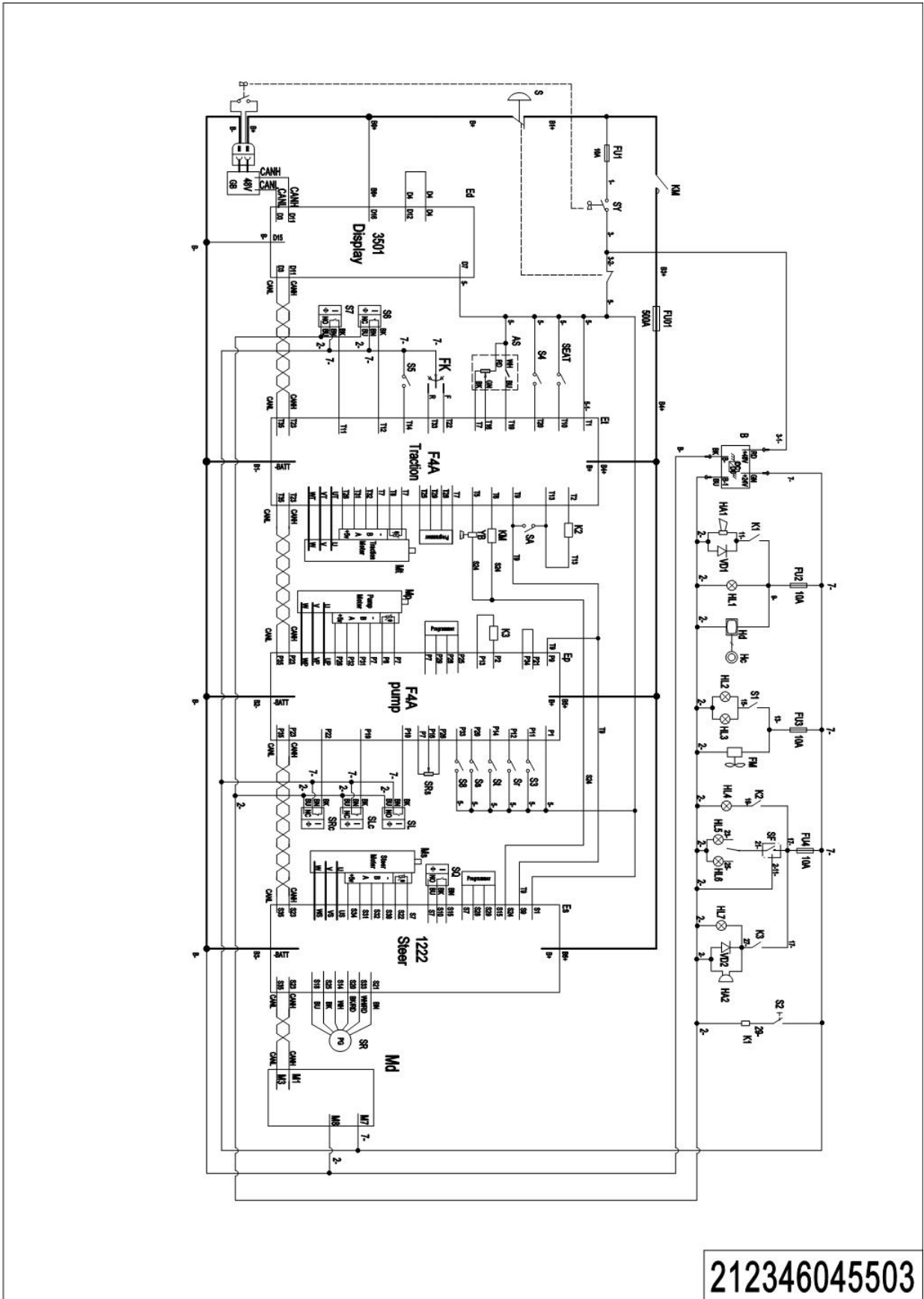
01 Electrical Circuit Diagram 1232SE



212346045502

1= Supply as package. 2= Supply with constraints. 3= Phasing-out supply. 4= Supply as assembly. 5= Check other tables.

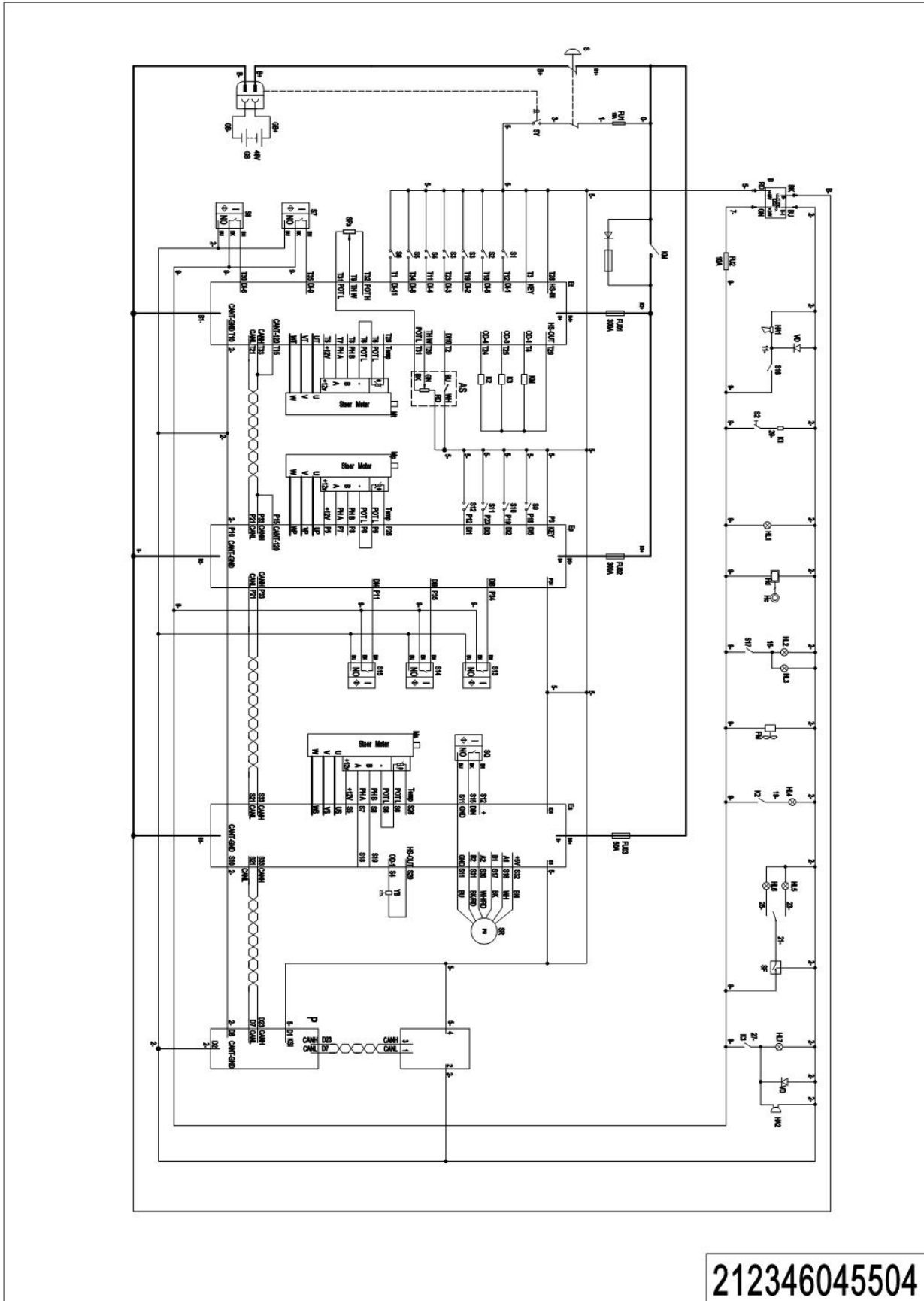
02 Electrical Circuit Diagram F4A



212346045503

1= Supply as package. 2= Supply with constraints. 3= Phasing-out supply. 4= Supply as assembly. 5= Check other tables.

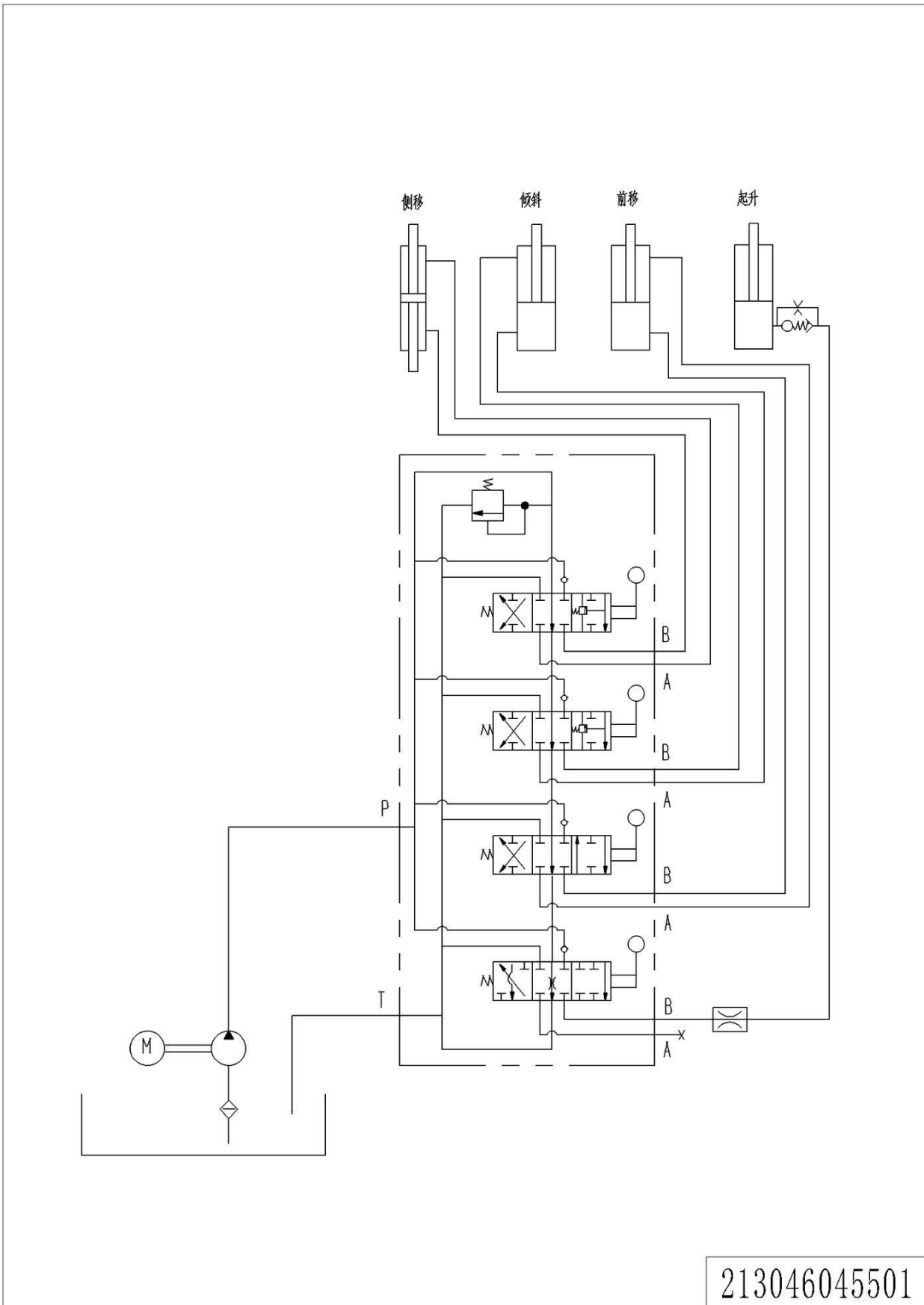
03 Electrical Circuit Diagram INMOTION



212346045504

1= Supply as package. 2= Supply with constraints. 3= Phasing-out supply. 4= Supply as assembly. 5= Check other tables.

04 Hydraulic Circuit Diagram



213046045501

1= Supply as package. 2= Supply with constraints. 3= Phasing-out supply. 4= Supply as assembly. 5= Check other tables.

